

# Geberit Flushing System for 1.6/0.8 GPF (6/3 LPF) Floor-Mount, Back Outlet Toilets, 2 x 6 Installations

**Product Specifications**

In-Wall Sigma concealed tank with actuator flush panel or pneumatic push button for washdown floor mounted toilet with rear water inlet. System shall fit within minimum 5½" (146 mm) framing wall or plumbing chase, with wood construction or steel framing members placed 19¾" (500 mm) apart. Framing members should be capable of supporting a 880 pound (400 kg) load without damage to the wall. Water supply shall have flow diameter no smaller than 1/2" (13 mm) copper tube, and a minimum flow pressure of 2 PSI (0.01 MPa). The toilet bowl shall be a third party listed low-consumption 1.6 GPF (6 LPF) or 1.6/0.8 GPF (6/3 LPF) dual-flush floor mounted toilet with rear water inlet type. Actuator flush panels shall be diecast zinc, molded plastic or fabricated stainless steel and plated to preserve material integrity. All components shall be compliant with applicable codes and product standards.

**Warranty**

Limited lifetime warranty on tank, 10-year warranty on fill valve and flush valve. One-year warranty on actuator flush plates.

**Features**

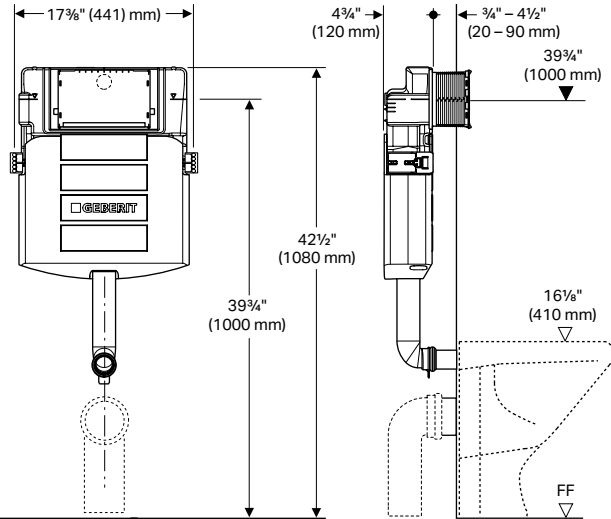
- Water consumption – Dual-flush system allows 1.6/0.8 GPF (6/3 LPF), giving effective flush volume of 1.1 GPF (4 LPF)
- Anti-siphon fill valve
- Impact resistant high density polyethylene (HDPE) tank, insulated to prevent condensation
- Bowl rim height depends on ceramic chosen. See manufacturer for details.
- For finished walls up to 3½" (9cm) thick
- For use with Geberit Sigma actuator plates (not included)
- Includes installation and rough-in materials

Complies with the latest editions of:

- ASME: A112.19.5, A112.19.14
- ANSI Z124.4
- CSA B125.3
- ANSI/ASSE 1002
- IAPMO PS-50
- UNAR / UNAR-HET
- ASME A112.19.2
- This concealed tank is WaterSense® compliant when used in combination with the toilet bowl models listed on page 2 of this sheet.

**Products marked with comply with the American Disabilities Act (ADA) when installed per the requirements of the latest ADA Accessibility Guidelines (ADAAG) and/or ICC/ANSI A117.1.**

Model No.	Description	
109.304.00.5	Geberit Sigma Concealed Tank (UP320), 2 x 6	



**ARCHITECT/ENGINEER APPROVAL**

Job Name \_\_\_\_\_

\_\_\_\_\_

Date \_\_\_\_\_ Quantity \_\_\_\_\_

Model Specified \_\_\_\_\_

Variations Specified \_\_\_\_\_

\_\_\_\_\_

Customer/Wholesaler \_\_\_\_\_

\_\_\_\_\_

Contractor \_\_\_\_\_

\_\_\_\_\_

Architect \_\_\_\_\_

\_\_\_\_\_

# Geberit Flushing System for 1.6/0.8 GPF (6/3 LPF) Floor-Mount, Back Outlet Toilets, 2 x 6 Installations



## WaterSense EPA High Efficiency Compatible Floor-Standing Toilet Bowl Models

Brand	Model Number*	Model Name
Duravit	211709	Vero

## Compatible Floor-Standing Toilet Bowl Models

Brand	Model Number*	Model Name
Devon & Devon	IBWCBLUESBTW	Blues
	IBWCCLN	Classica
	IBWCETBTW	Etoile
	2IBWCETBTW	Etoile
	IBWCNETBTW	New Etoile
	2IBWCNETBTW	New Etoile
	IBWCROSEBTW	Rose
	IBWCWBTW	Westminster
	2IBWCWBTW	Westminster
Duravit	211709	Vero
	212809	Starck 2
	215859	Starck 3 (Monolith)
	213909	Darling New
	215809	Darling New
	216909	ME by Starck
	216959	ME by Starck
	216609	P3 Comforts
	216659	P3 Comforts
Laufen	8.2333.8	Kartell
	8.2295.1***	Laufen Pro
Villeroy & Boch	6607U1	Subway

**Geberit**  
2100 S. Clearwater Drive  
Des Plaines, IL 60018  
USA

P 800-566-2100  
F 847-803-5454

→ [geberit.us](http://geberit.us)

\*Consult toilet manufacturers for up-to-date model numbers and availability.

\*\*Meets 600 grams MaP performance score according to *Maximum Performance (MaP) of Toilet Fixture list, version 03/25/2017.*

\*\*\*Meets 800 grams MaP performance score according to *Maximum Performance (MaP) of Toilet Fixture list, version 03/25/2017.*

\*\*\*\*Meets 800 grams MaP performance score self-attested by manufacturer.