

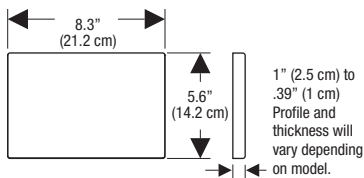
Dual-Flush Actuators for Geberit Omega Concealed Tanks, Pre-Wall Installations

Product Specifications

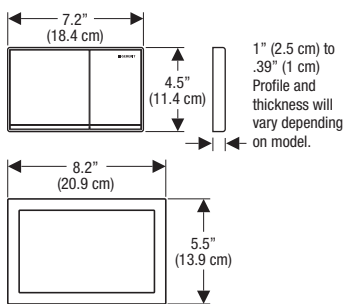
Actuators for concealed tank and carrier system. Actuator flush plates and push buttons shall be zinc die-cast, molded plastic, glass, aluminum or fabricated stainless steel and plated to guard against scratches. All components shall be compliant with applicable codes and product standards.

Dimensions

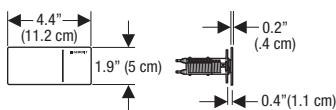
Omega20, Omega30 Dual-Flush Actuator Plates and Cover Plates



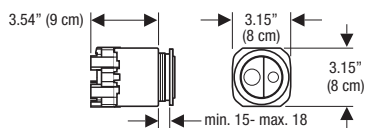
Omega60 Dual-Flush Actuator Plate and Frame



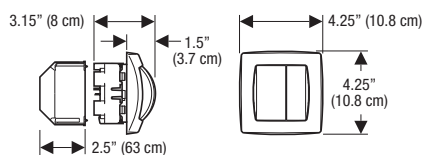
Type 70 Dual-Flush Button



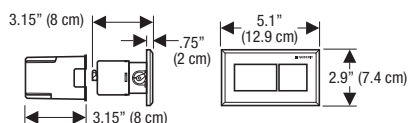
Half Moon Dual-Flush Button



Square Dual-Flush Button



Rectangular Dual-Flush Button



Finishes

Dual-Flush Actuators

Style	Material	Finish	Model No.
Omega20 	Plastic	Matte Chrome/Polished Chrome/Matte Chrome	115.085.KN.1
		Polished Chrome/Matte Chrome/Polished Chrome	115.085.KH.1
		White/Matte Chrome/Matte Chrome	115.085.KL.1
		White/Polished Chrome/White	115.085.KJ.1
		White/Gold-Plated/White	115.085.KK.1
Omega30 	Plastic	Matte Chrome/Polished Chrome/Matte Chrome	115.080.KN.1
		Polished Chrome/Matte Chrome/Polished Chrome	115.080.KH.1
		White/Matte Chrome/Matte Chrome	115.080.KN.1
		White/Polished Chrome/White	115.080.KL.1
		White/Gold-Plated/White	115.080.KK.1
Omega60 	Metal	Brushed Chrome	115.081.GH.1
		White Glass/Aluminum	115.081.SI.1
	Glass	Black Glass/Aluminum	115.081.SJ.1
		Umber Glass/Aluminum	115.081.SQ.1
	Die Cast	Cover frame (when needed)	

Omega60 	Die Cast	Brushed chrome	115.086.GH.1
		Polished chrome	115.086.2I.1
		Black/Polished Chrome/Black	115.080.KM.1
		White/Polished Chrome/White	115.080.KL.1
		White/Gold-Plated/White	115.080.KK.1

Style	Material	Finish	Model No.
Omega Cover Plate for use with Flush Buttons 	Glass	White	115.082.SI.1
	Metal	Customizable	115.082.OO.1

Style	Material	Finish	Model No.
Type 70 	Metal	Brushed Stainless Steel	115.084.FW.1
	Glass	White Glass	115.084.SI.1
Black Glass		115.084.SJ.1	
Umber Glass		115.084.SQ.1	
Half Moon 	Plastic	Polished Chrome	115.999.2I.1

Style	Material	Finish	Model No.
Square 	Plastic	Alpine White	115.942.1I.1
		Polish-Matte**	115.942.KA.1
Rectangle 	Plastic	Polish-Matte**	115.932.KA.1
		Die Cast	Brushed Chrome

Warranty

One-year warranty on actuator flush plates.

Features

- Designed to maintain appearance push after push
- Moving parts are accessible behind actuator flush plate
- Made of molded plastic, zinc die cast or stainless steel and plated
- Available in a variety of designer finishes
- Incorporates water saving possibilities with dual-flush buttons of 1.6 GPF (6 LPF) or 0.8 GPF (3 LPF) giving an effective flush volume of 1.1 GPF (4 LPF)

Actuator flush plates comply with the American Disabilities Act (ADA) when installed per the requirements of the latest ADA Standards for Accessible Design.†

**Finishes follow this pattern = Frame-Button

Polish = Polished Chrome

Matte = Matte Chrome

† Push Buttons do not comply with ADA Standards for Accessible Design



ARCHITECT/ENGINEER APPROVAL

Job Name _____

Date _____ Quantity _____

Model Specified _____

Variations Specified _____

Customer/Wholesaler _____

Contractor _____

Architect _____