

GEBERIT SYSTEM ACCESSORIES

Lavatory Traps

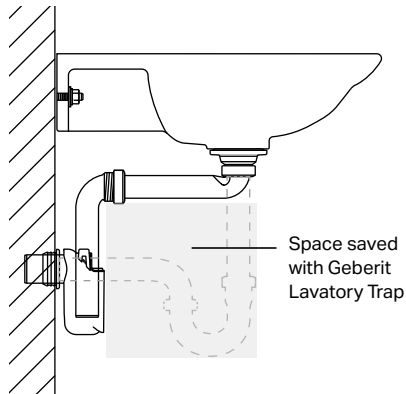
SPECIFICATIONS

Installation accessories for Geberit Duofix Model 111.490.00.1 concealed carriers. Accessories shall be for alternate waste fitting installations.

FEATURES

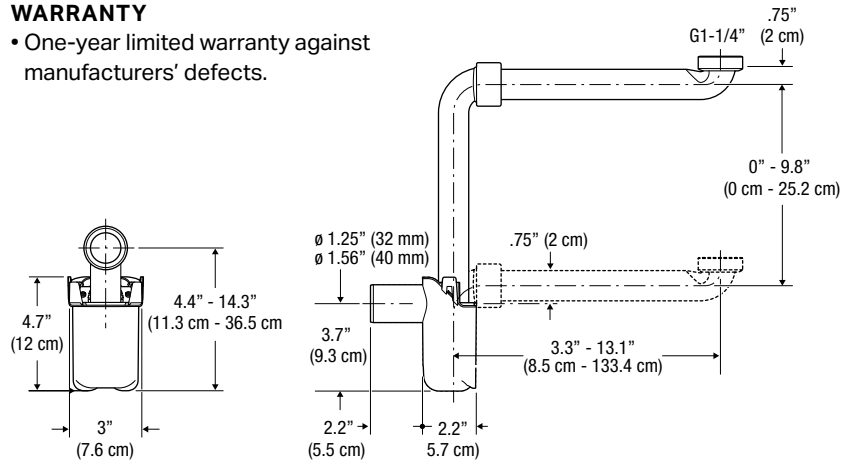
Especially configured for tight spaces of vanity mounted sinks. Includes:

- Rough-in piping
- Trap seals
- Mounting hardware



WARRANTY

- One-year limited warranty against manufacturers' defects.



Material	Finish	Description	Model Number
Plastic	Alpine White	Outlet tube size 1-1/4" (32mm) and sink connection thread G1-1/4"	151.116.11.1
		Outlet tube size 1-9/16" (40mm) and sink connection thread G1-1/4"	151.117.11.1



Geberit
2100 S. Clearwater Drive
Des Plaines, IL 60018
USA

P 847-803-7777
F 847-849-1845

www.geberit.us



ARCHITECT/ENGINEER APPROVAL	
Job Name:	_____
Date:	Quantity: _____
Model Specified:	_____
Variations Specified:	_____
Customer/Wholesaler:	_____
Contractor:	_____
Architect:	_____