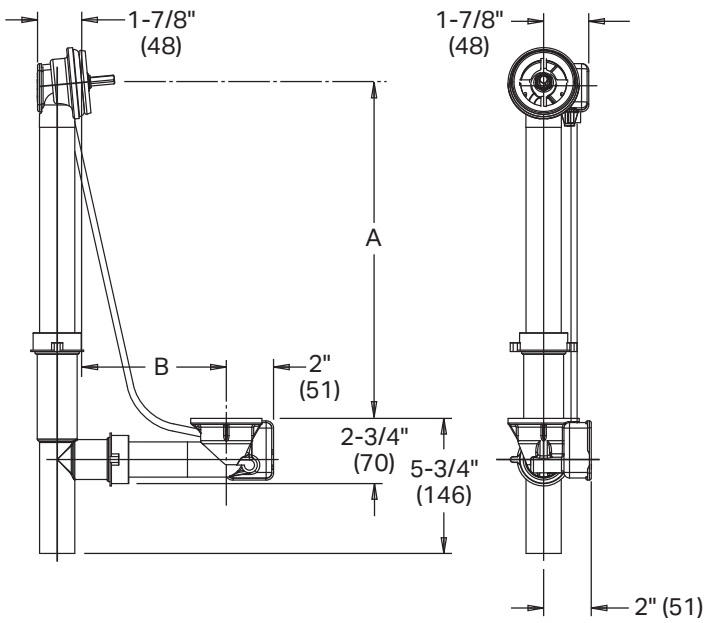


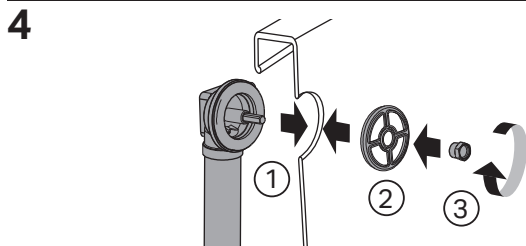
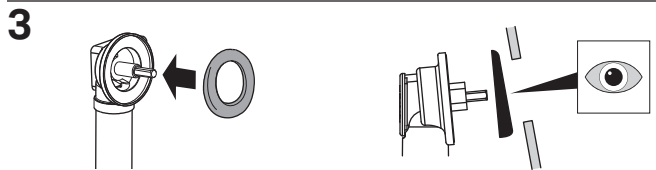
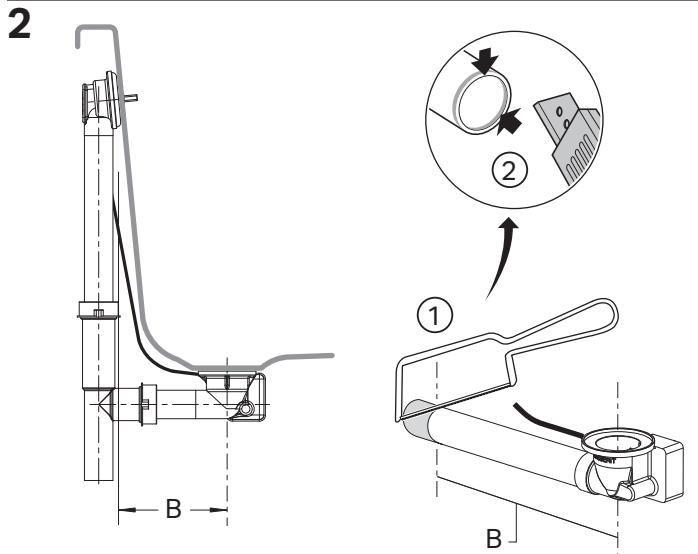
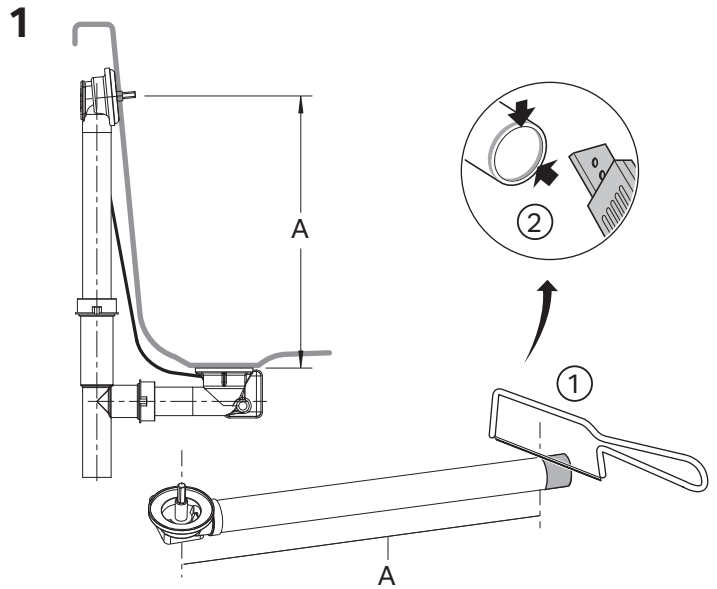
Installation Manual

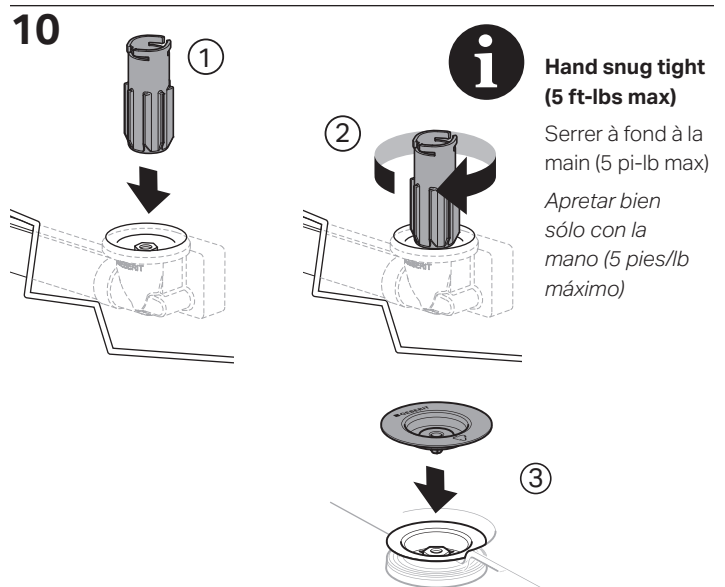
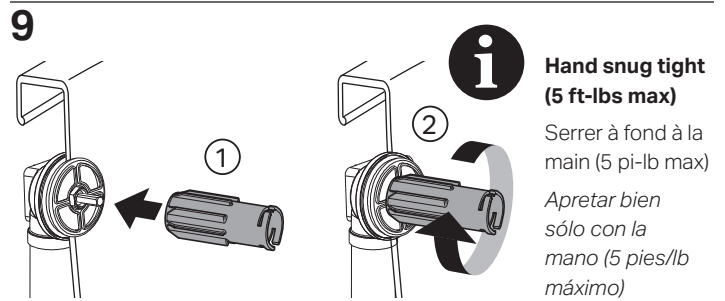
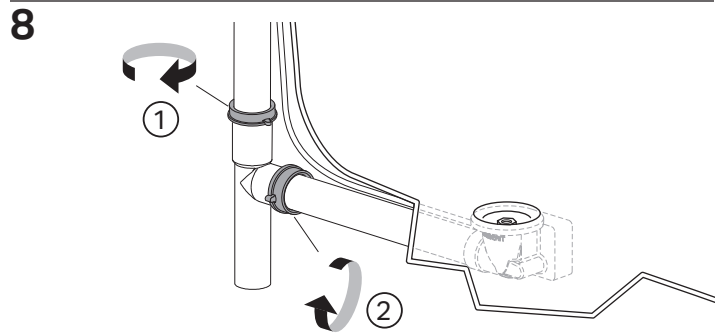
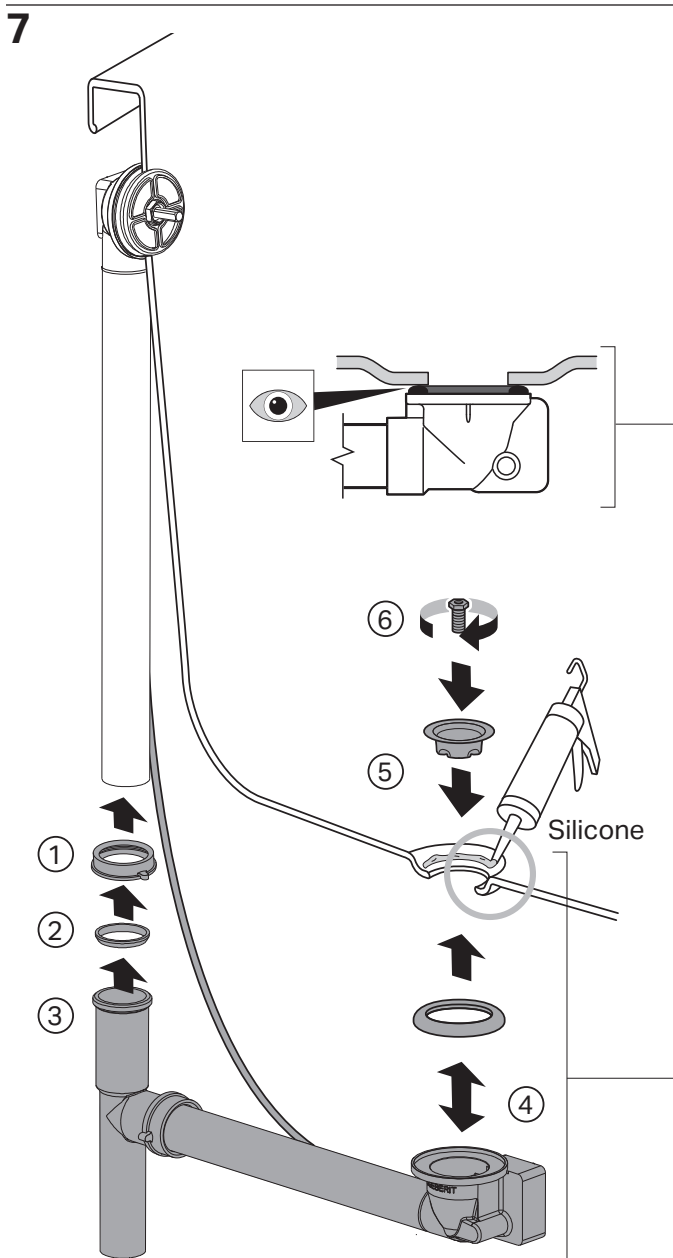
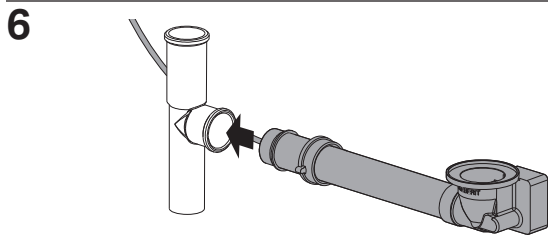
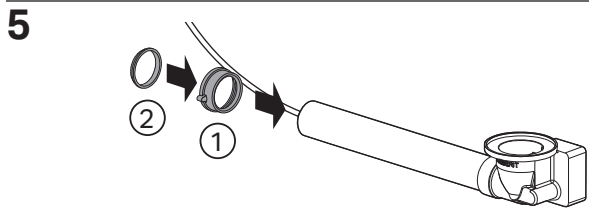
Montageanleitung
Instructions de montage
Istruzioni per il montaggio

in (mm)



1

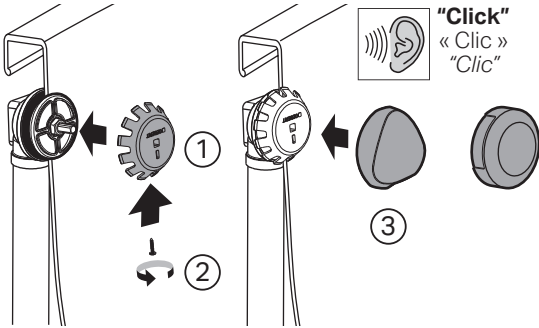
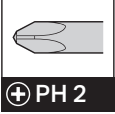




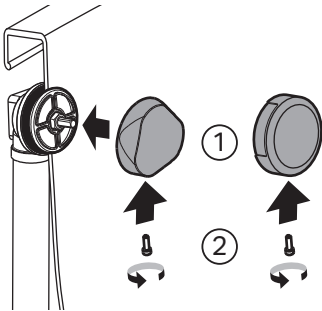
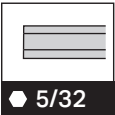
2

11

Plastic
Plastique
Plástico

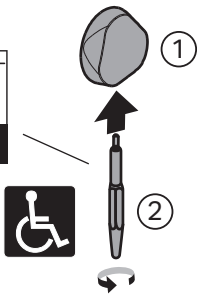


Metal
Métal
Metal

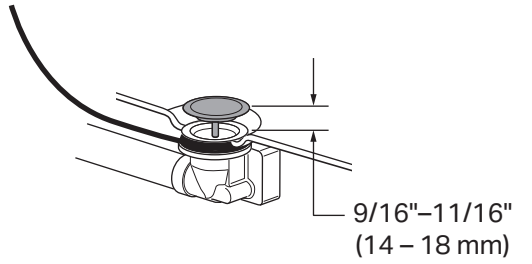
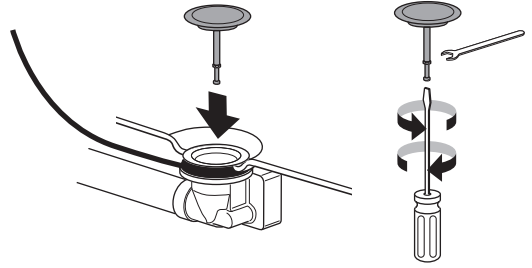


12

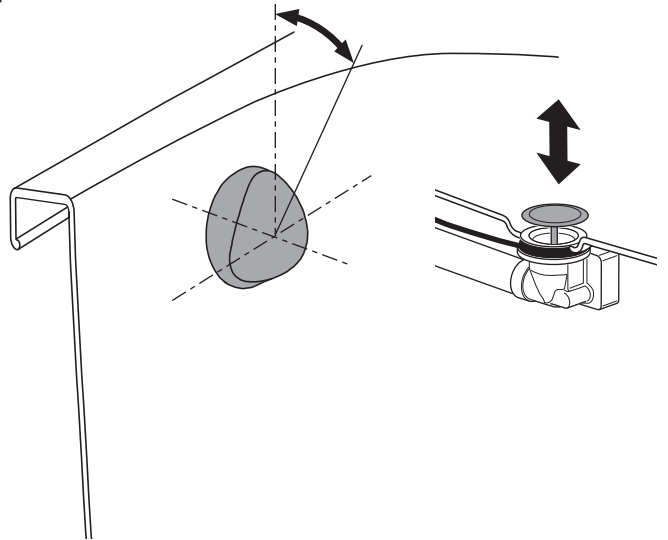
Metal
Métal
Metal



13



14



Duravit USA, Inc.
2205 Northmont Parkway, Suite 200
USA-Duluth GA 30096
Phone 773 817 4458
Fax: 773 409 5735
→ www.duravit.us