

ROUGHING IN DIMENSIONS MAY VARY AND ARE SUBJECT TO CHANGE. NO RESPONSIBILITY IS ASSUMED FOR USE OF SUPERCEDED OR VOIDED DATA.



2100 South Clearwater Drive
Des Plaines, IL 60018
Phone: 800-566-2100
Fax: 847-803-5454
www.geberitnorthamerica.com

ROUGH-IN

FITTING NO.

151.550.XX.1

SUBMITTED MODEL NO.

FOR TECHNICAL ASSISTANCE
1-800-TEC-TRUE (1-800-832-8783)

BY: SID DATE: 04-29-08
CHK: REV:

SUBMITTED AS SHOWN

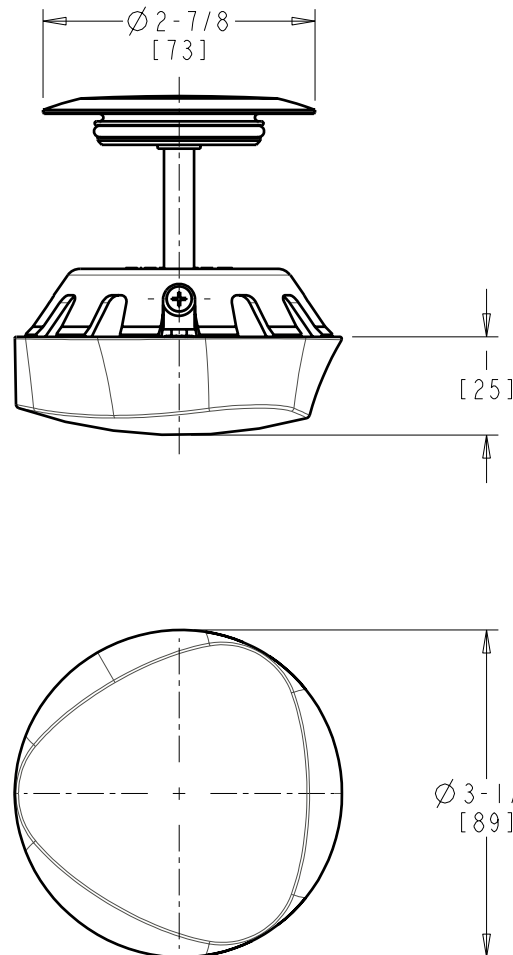
SUBMITTED AS NOTED

SEE ATTACHED FOR
SUBMITTED MODIFICATION

JOB NAME

ITEM NO.

FINISH DESCRIPTION	FINISH CODE (.XX.)
POLISHED CHROME	21
GOLD	45
BONE	AA
BRIGHT BRASS	CL
WHITE	DY
BISCUIT	FF
FOREVERSHINE™ PVD BRASS	GG



DIMENSIONS ARE IN INCHES AND [MILLIMETERS].

TECHNICAL DATA

- BATH WASTE AND OVERFLOW TRIM KIT
- PLASTIC TRADITIONAL TURN HANDLE WITH ADAPTER
- PLASTIC PLUNGER HOOD
- FINISH AS SPECIFIED