

# RADIANT SMALL

## INSTALLATION INSTRUCTIONS



### WARNINGS

- These units should be installed by a certified electrician in accordance with the National Electrical Code (NEC) and the Canadian Electrical Code (CEC).
- The unit requires a 120 volt, 60Hz power source and should be installed on a GFCI protected circuit.
- Plug-in units should be connected to a grounded outlet with a minimum rating of 10 amps.
- Follow installation instructions to ensure unit is securely fixed to wall. Unit is designed for drying towels. Under no circumstances should anybody climb on or hang on unit.
- Unit is intended for indoor use only. Do not place units inside a shower, sauna, steam room, or wherever unit would be exposed to water.

### CAUTION

- As this is a heating device, the surface temperature can increase depending on the ambient temperature in the room and the number of towels applied to the unit.
- Overloading the unit with more than one towel can cause the unit to become extremely hot and may result in a burn if touched and/or damage to towels
- The fasteners provided with the installation kit are for convenience only and are not suitable for all installation conditions.
- It is the ultimate responsibility of the installer to ensure suitable mounting hardware is used.

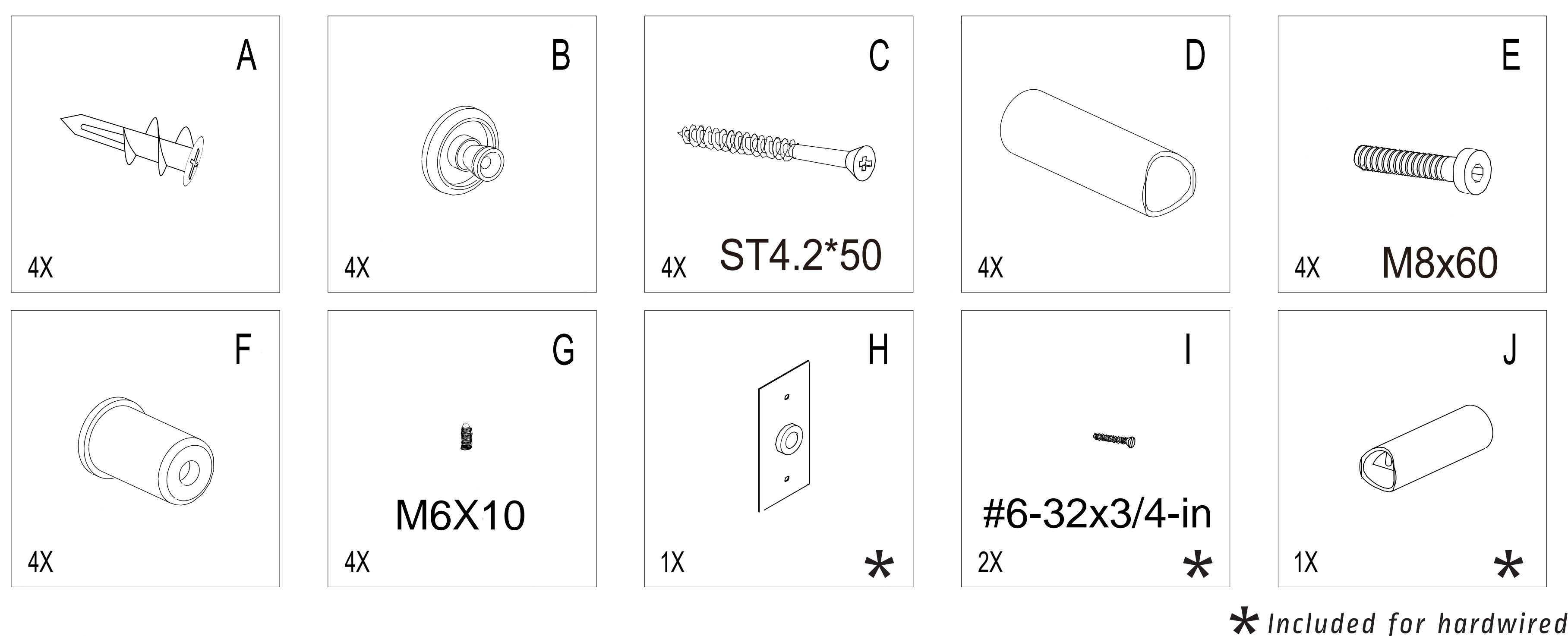
### OPERATING INSTRUCTION

- After installation, connect the electric power.
- Remove the protective cover from the switch and turn it to the on position.
- The indicator light will glow red and the towel warmer will start to heat – Allow 10-20 minutes to heat up.
- This towel warmer has been designed to run continuously – Turn off the switch or unplug the cord when the towel warmer is not in use for long periods of time.
- Never use an extension cord for Plug-in models.

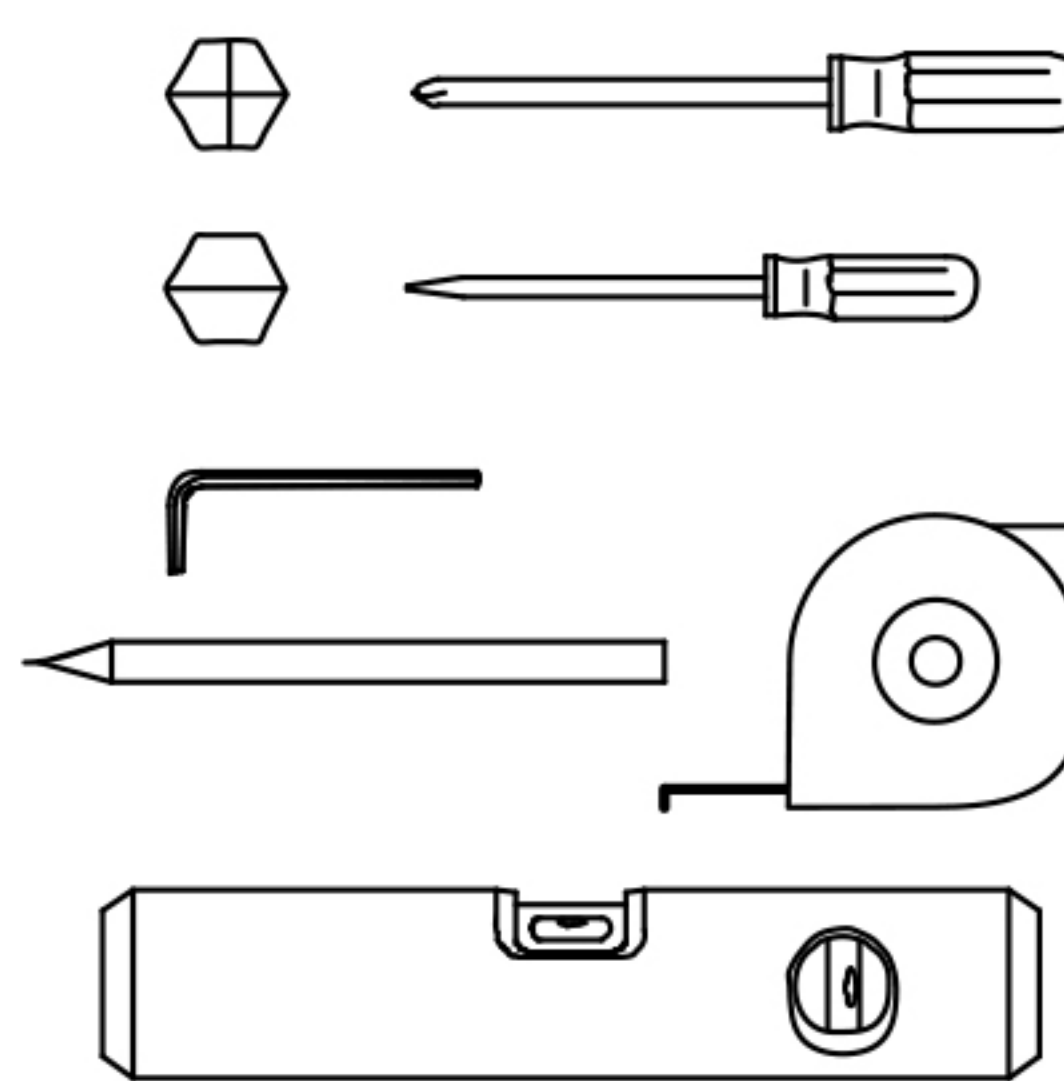
### CARE & MAINTENANCE

- Towels which contain soap or detergent residue may appear to have scorch marks; this is simply discoloration of the residue in the towels themselves.
- The unit is constructed from extremely durable 304 stainless steel. To maintain a good appearance, follow these simple instructions:
- For routine cleaning, simply switch off the unit, allow to cool to room temperature, wipe with a damp cloth and buff with a soft, dry cloth.
- Under no circumstances should abrasive cleaners be used to clean the unit.

### INCLUDED COMPONENTS



### TOOLS REQUIRED

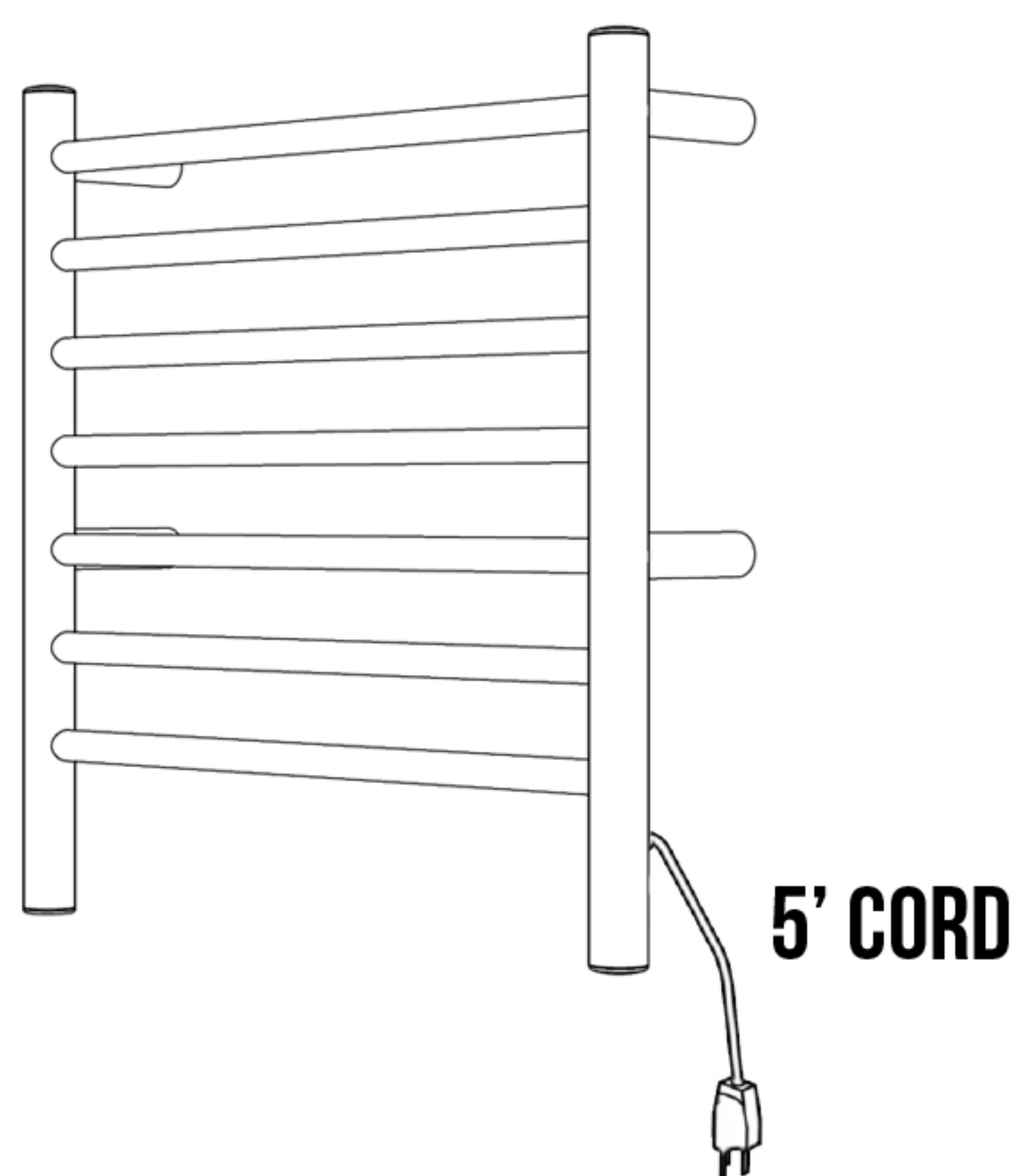


### WARRANTY

Two year limited warranty with proof of purchase will apply if all Terms and Conditions of Sale are met and Installation Instructions are adhered to.

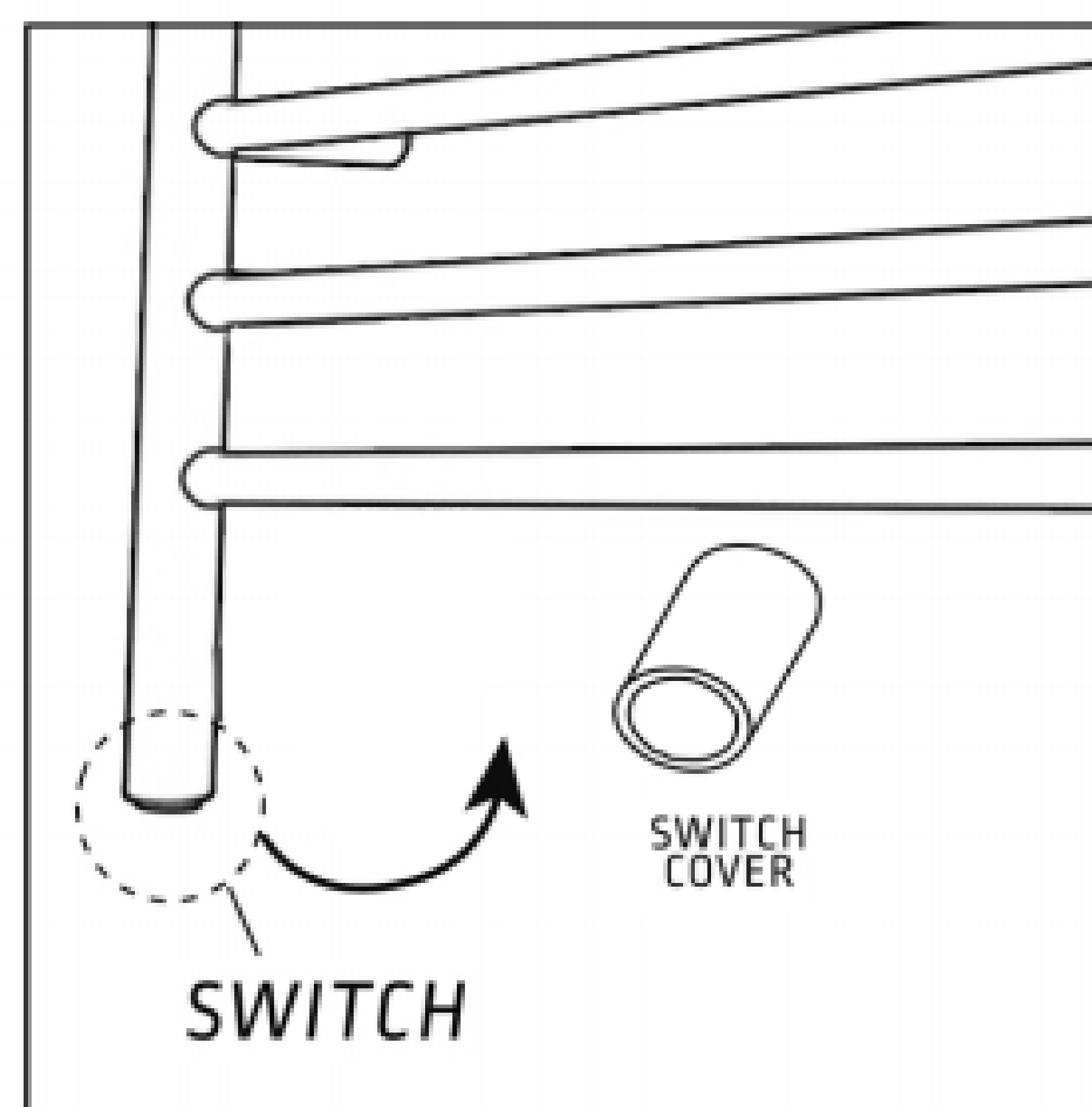


### PLUG-IN INSTALLATION



**REQUIRES  
GROUNDED  
OUTLET**

### INTEGRATED SWITCH



- The Radiant Collection features an Integrated on/off switch.
- Remove plastic cover after installation.
- Switch is located on the bottom of the left vertical bar.
- Press switch to power on unit.
- Switch will illuminate when on.

### ELECTRICAL INFORMATION

60–80 watts | 0.5–0.67 amps | 120 volts

### AVAILABLE MODELS

RWHS-SP RWHS-SB RWHS-SMB RWHS-SSB RWHS-SPG  
P-Polished B-Brushed MB-Matte Black SB-Satin Brass PG-Polished Gold

### CONTACT

**TEL:**  
404-350-9738

**FAX:**  
404-355-0166

**EMAIL:**  
customerservice@ambaproducts.com

**WEB:**  
www.ambaproducts.com

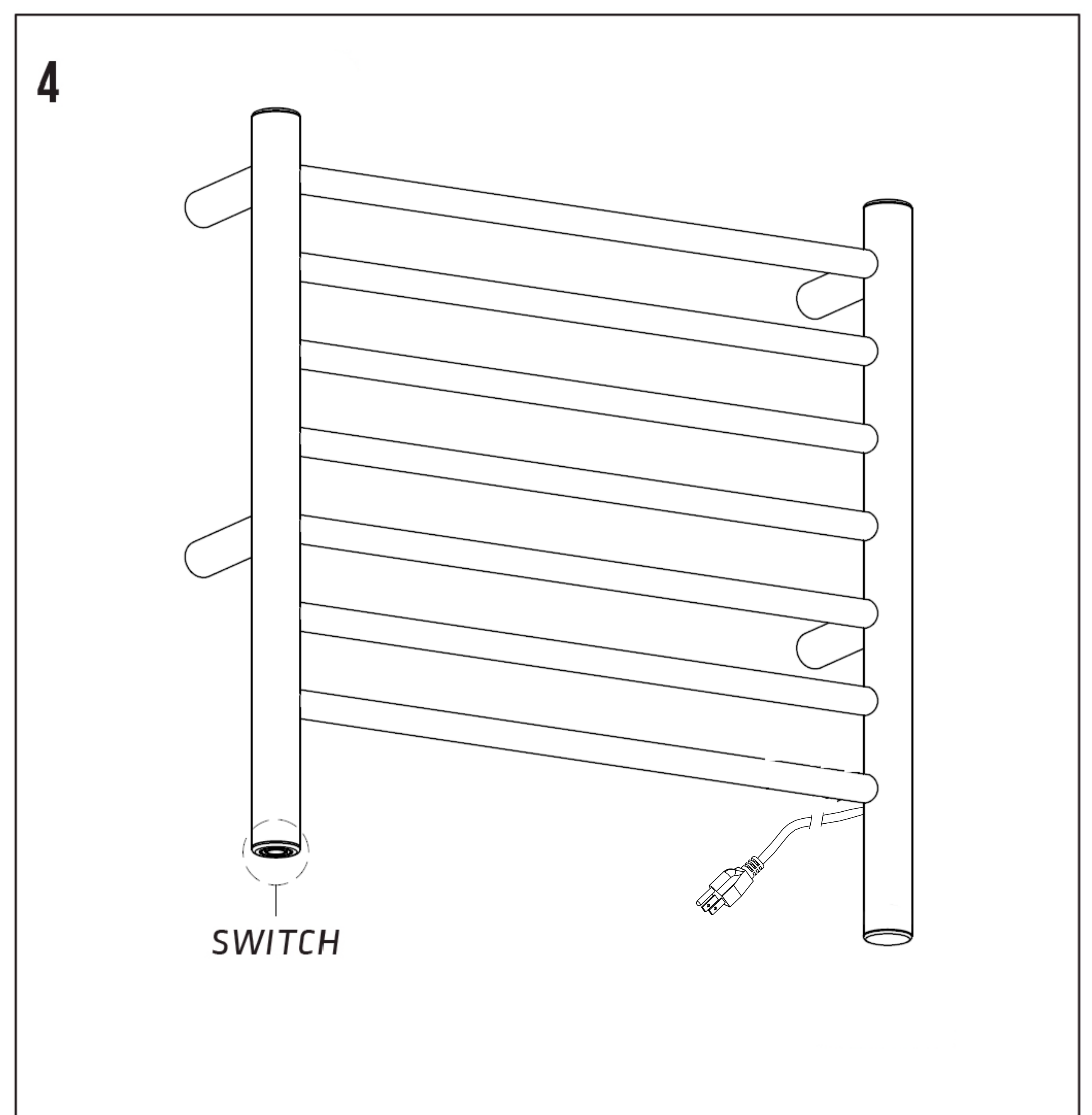
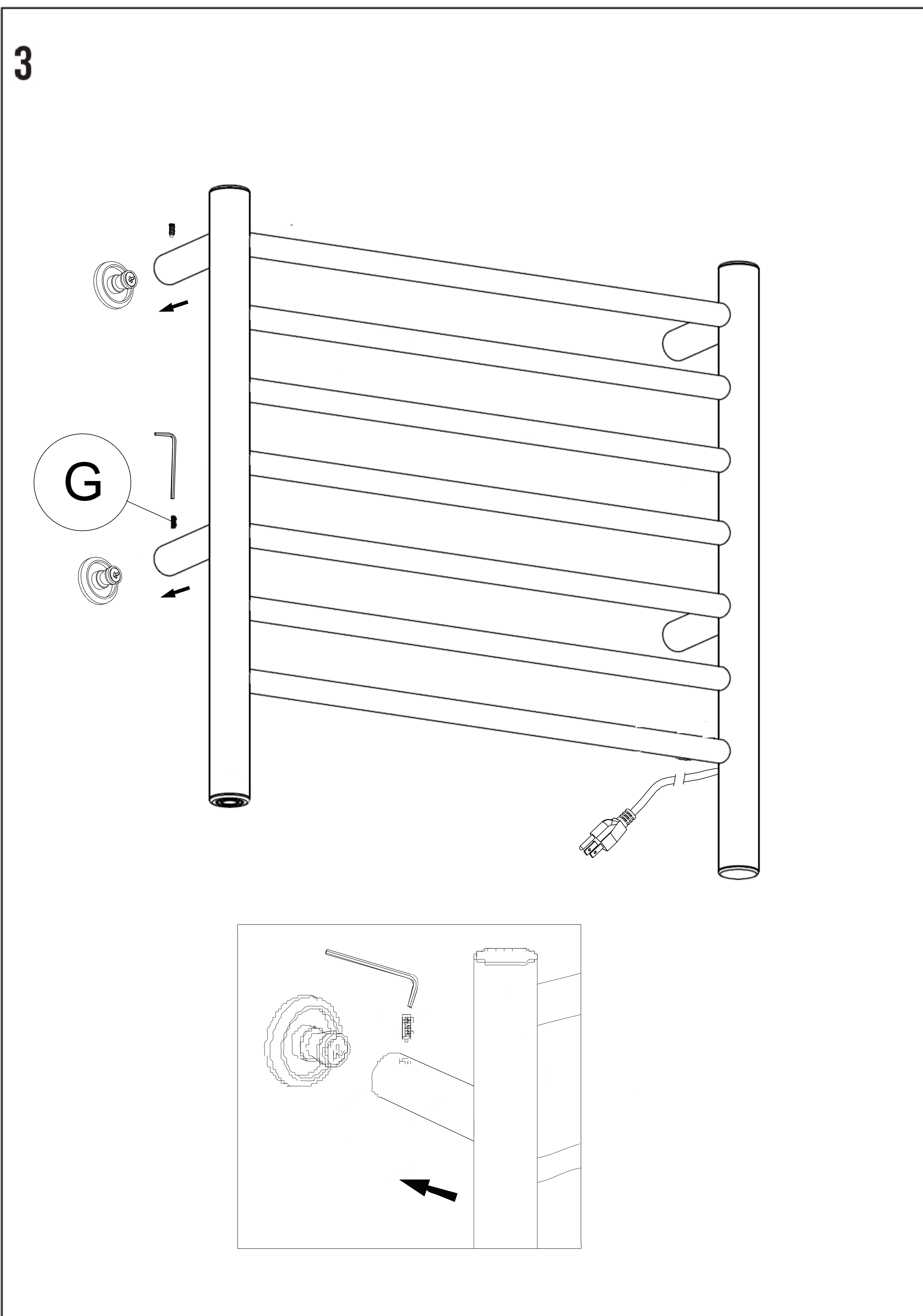
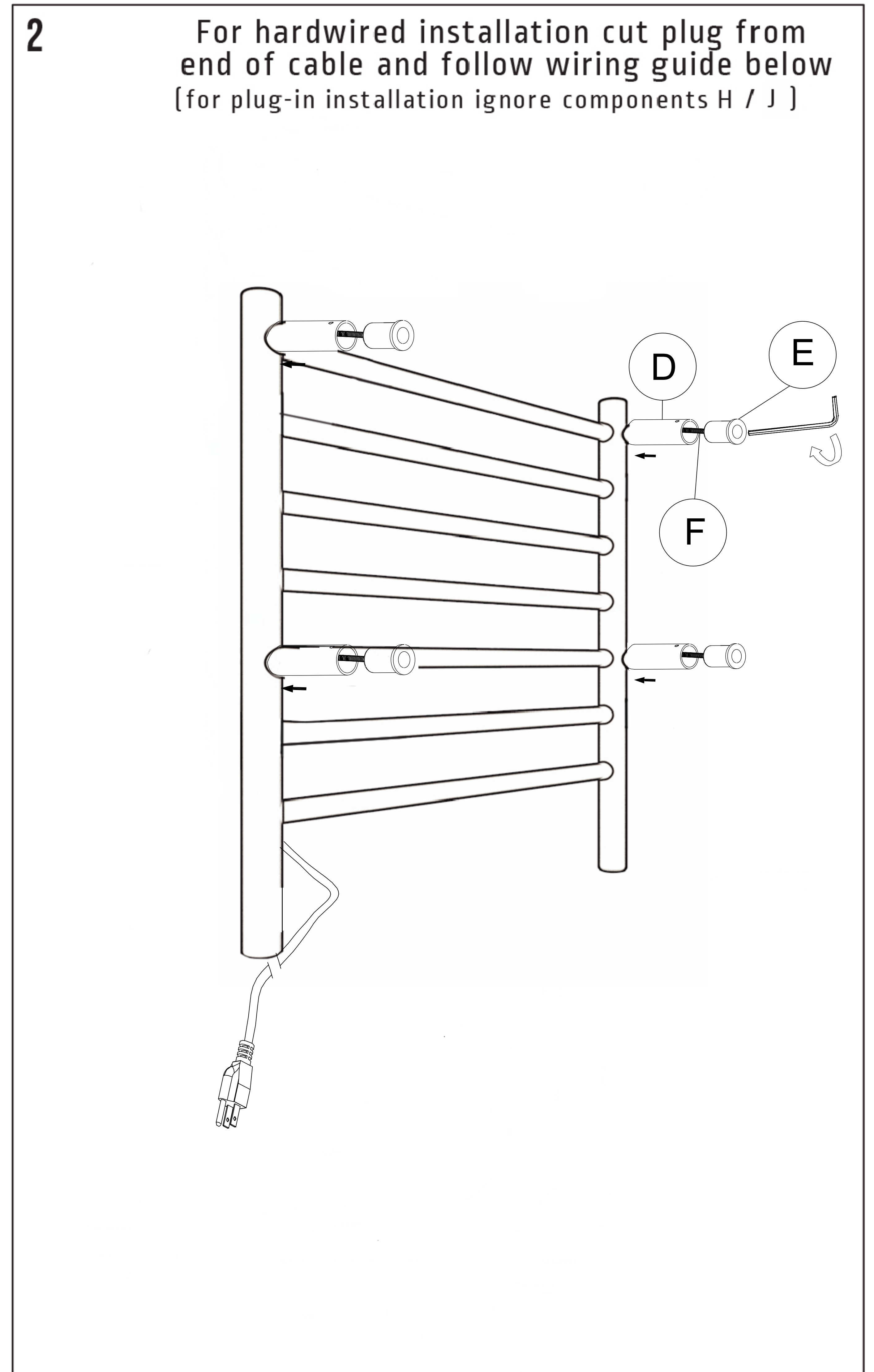
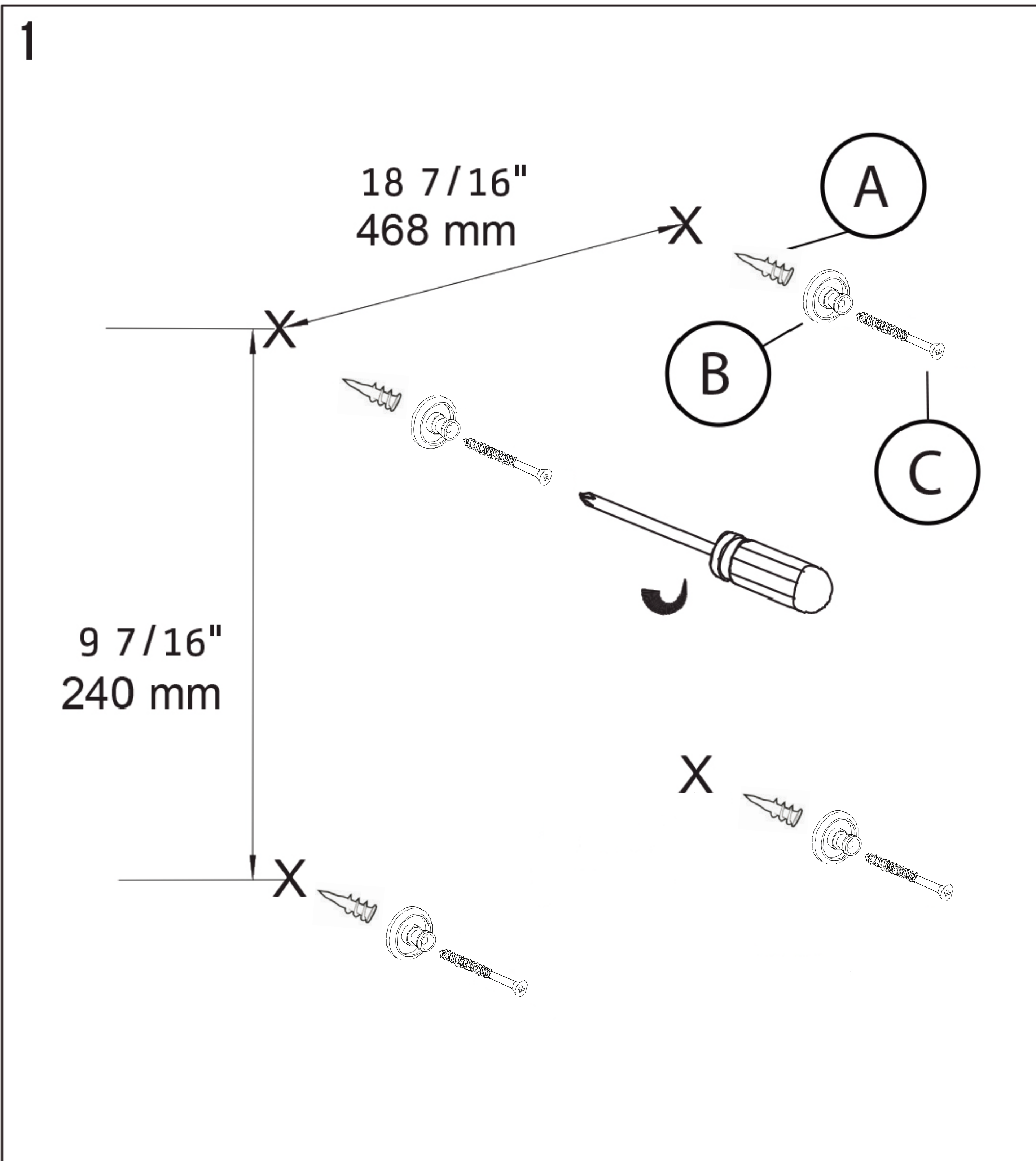
**! CAUTION — SURFACE OF UNIT IS HOT WHEN ON !**

# RADIANT SMALL

## INSTALLATION INSTRUCTIONS — PLUG IN



BEFORE STARTING ASSEMBLY MAKE SURE ALL COMPONENTS LISTED ARE IN THE PACKAGE



**DO NOT OVER-TIGHTEN SET SCREW**

**TURN UNIT ON WITH SWITCH**

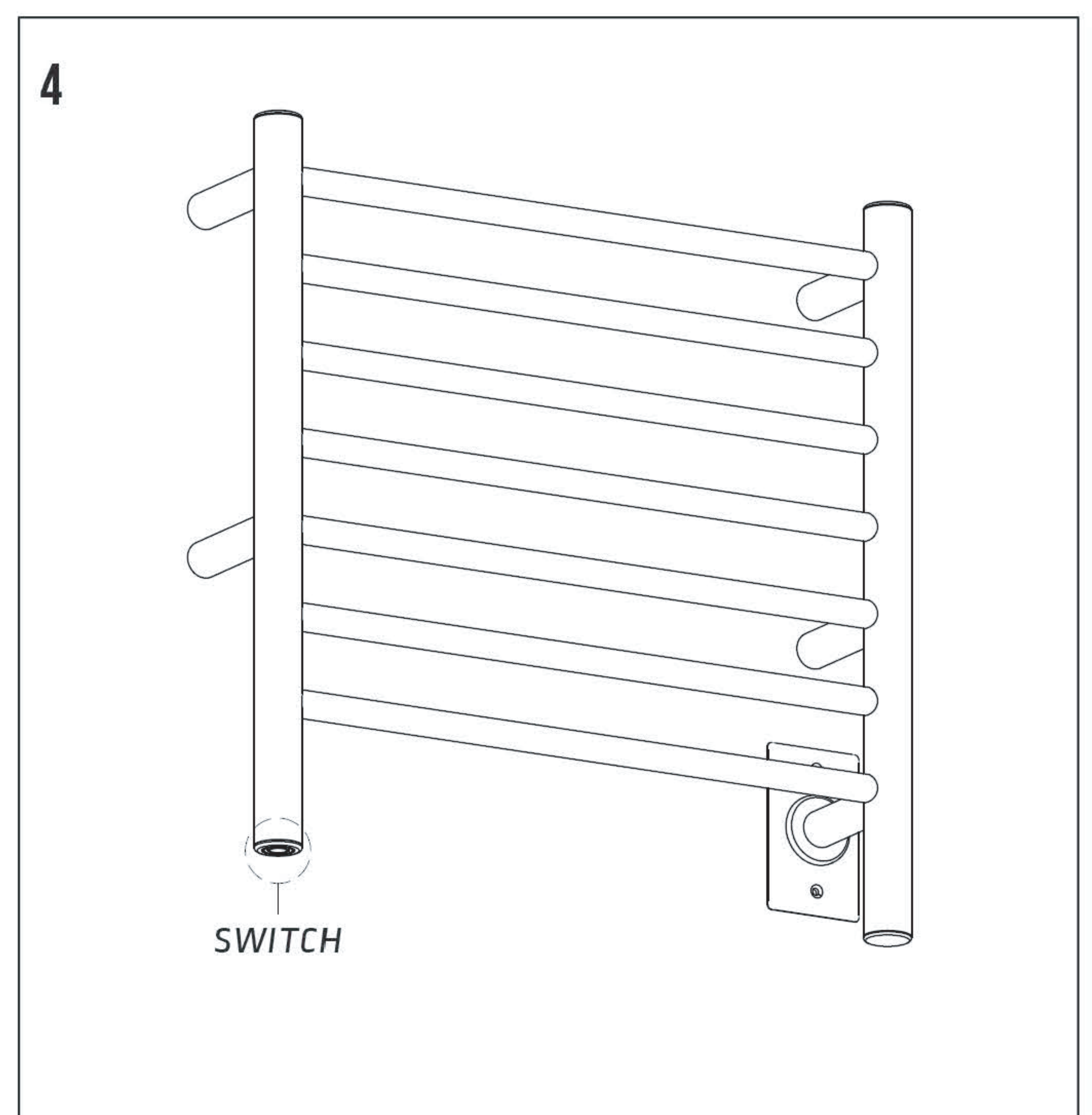
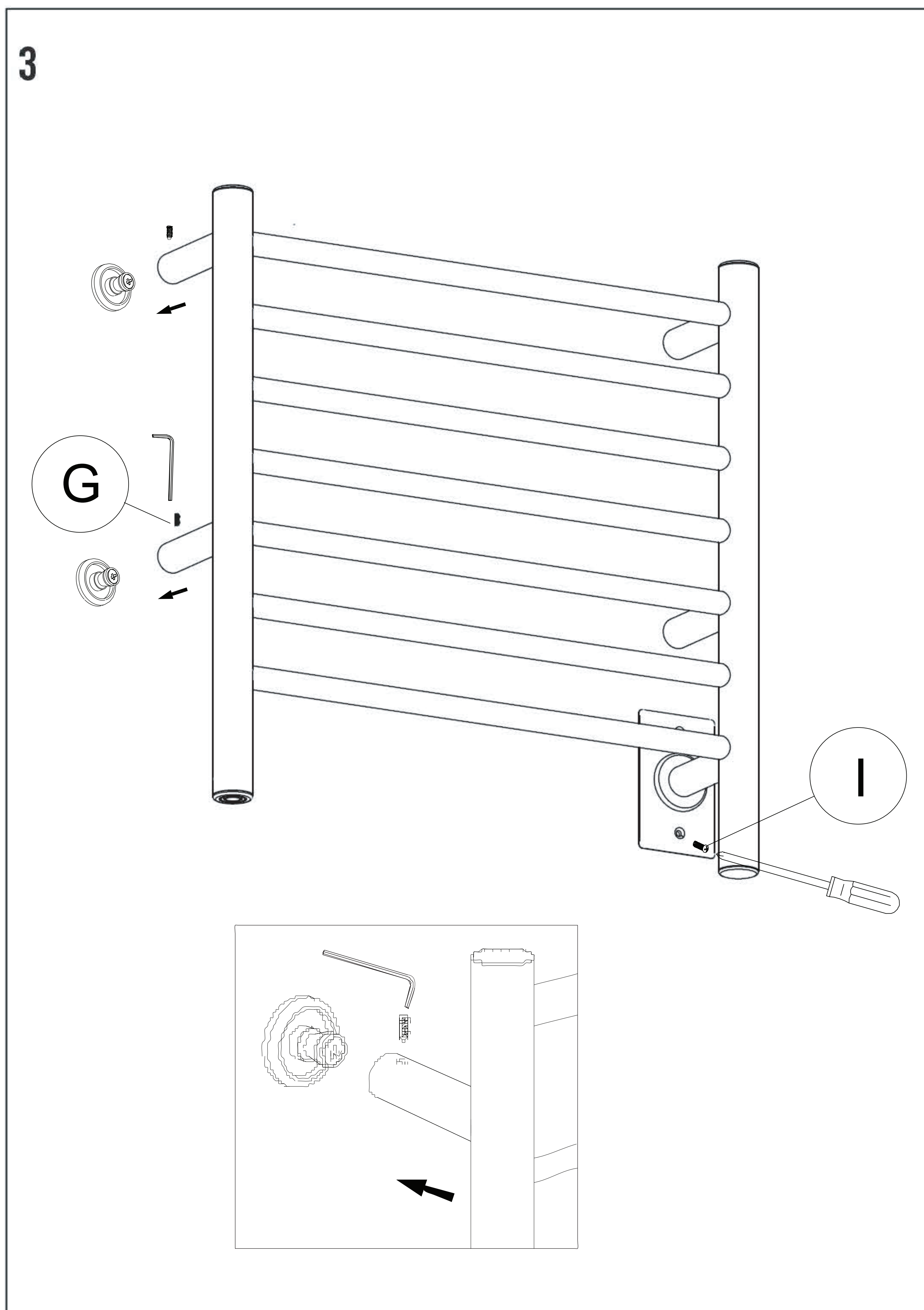
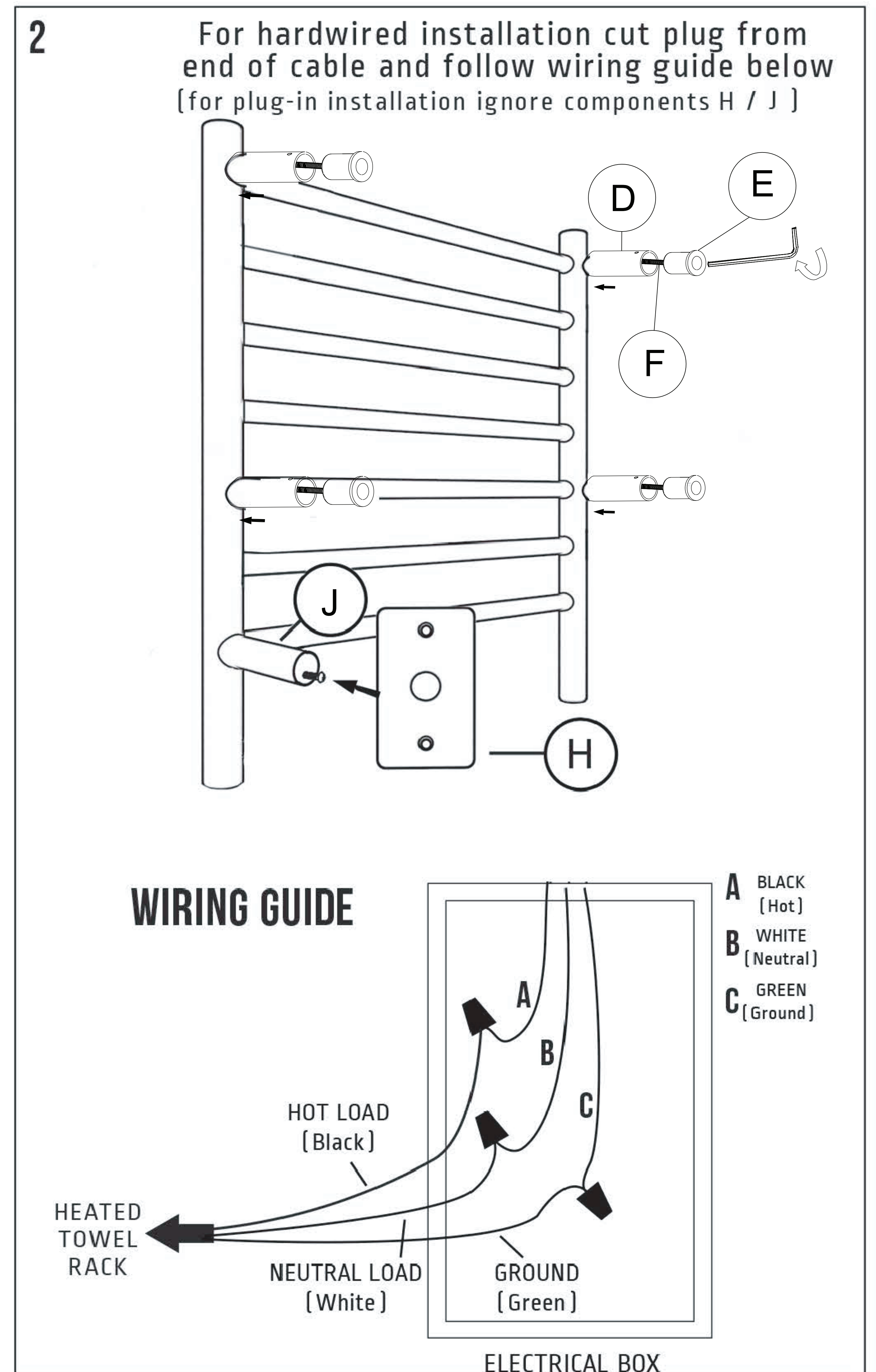
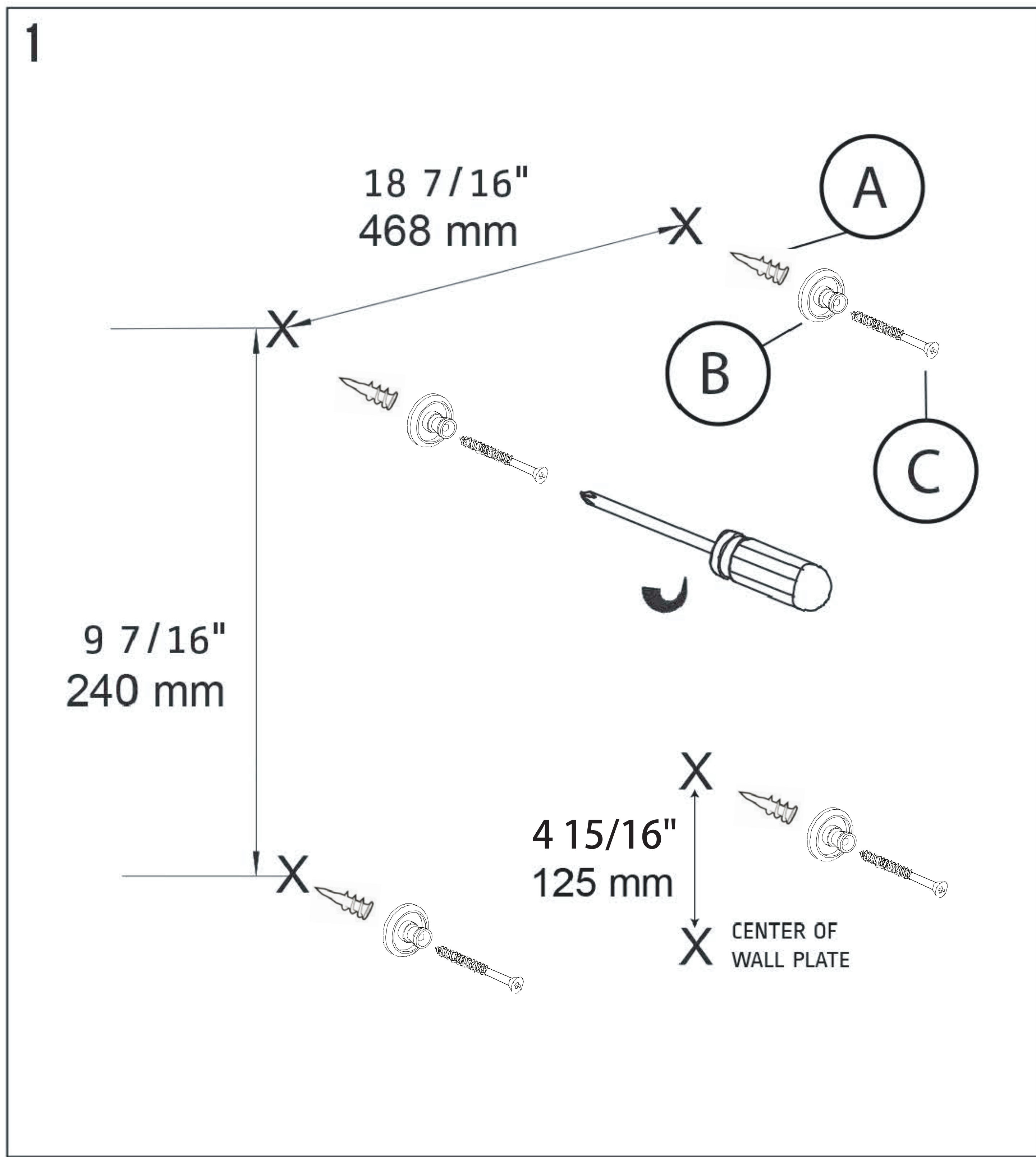
**! CAUTION — SURFACE OF UNIT IS HOT WHEN ON !**

# RADIANT SMALL

## INSTALLATION INSTRUCTIONS — HARDWIRED



BEFORE STARTING ASSEMBLY MAKE SURE ALL COMPONENTS LISTED ARE IN THE PACKAGE



DO NOT OVER-TIGHTEN SET SCREW

TURN UNIT ON WITH SWITCH

! CAUTION — SURFACE OF UNIT IS HOT WHEN ON !