

## WARNINGS

**PLEASE READ THE FOLLOWING INFORMATION BEFORE INSTALLING AND USING YOUR HEATED TOWEL RACK.**

- These units should be installed by a certified electrician in accordance with the National Electrical Code (NEC) and the Canadian Electrical Code (CEC).
- The unit requires a 120 volt, 60Hz power source and should be installed on a GFCI protected circuit.
- Plug-in units should be connected to a grounded outlet with a minimum rating of 10 amps.
- Follow installation instructions to ensure unit is securely fixed to wall. Unit is designed for drying towels. Under no circumstances should anybody climb on or hang on unit.
- Unit is intended for indoor use only. Do not place units inside a shower, sauna, steam room, or wherever unit would be exposed to water.

## CAUTION

- As this is a heating device, the surface temperature can increase depending on the ambient temperature in the room and the number of towels applied to the unit.
- Overloading the unit will cause the unit to become extremely hot and may result in a burn if touched and/or damage to towels.
- The fasteners provided with the installation kit are for convenience only and are not suitable for all installation conditions.
- It is the ultimate responsibility of the installer to ensure proper mounting hardware is employed in attaching the unit to the wall.

## OPERATING INSTRUCTION

- After installation, connect the electric power.
- Remove the protective cover from the switch and turn it to the on position.
- The indicator light will glow red and the towel warmer will start to heat. Allow 10-20 minutes to heat up.
- This towel warmer has been designed to run continuously. Turn off the switch or unplug the cord when the towel warmer is not in use for long periods of time.
- Never use an extension cord for Plug-in models.

## CARE & MAINTENANCE

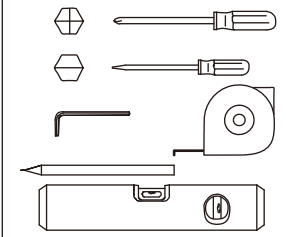
- Towels which contain soap or detergent residue may appear to have scorch marks; this is simply discoloration of the residue in the towels themselves.
- The unit is constructed from extremely durable 304 stainless steel. To maintain a good appearance, follow these simple instructions:
- For routine cleaning, simply switch off the unit, allow to cool to room temperature, wipe with a damp cloth and buff with a soft, dry cloth.
- Under no circumstances should abrasive cleaners be used to clean the unit.

### INCLUDED COMPONENTS

 A 4X	 B 4X	 C 4X ST4.2*50	 D 4X	 E 4X M8x60
 F 4X	 G 4X M6X10	 H 1X *	 I 2X #6-32x3/4-in *	 J 1X *

\* Included for hardwired

### TOOLS REQUIRED



### ELECTRICAL INFO

150 watts	1.3 amps	120 volts
--------------	-------------	--------------

### WARRANTY

Two year limited warranty with proof of purchase will apply if all Terms and Conditions of Sale are met and Installation Instructions are adhered to.



**Intertek**  
FOR FULL WARRANTY VISIT:  
[www.ambaproducts.com/warranty](http://www.ambaproducts.com/warranty)

### PLUG-IN MODELS

**REQUIRES GROUNDED OUTLET**

### INTEGRATED SWITCH

- The Radiant Collection features an Integrated on/off switch.
- Remove plastic cover after installation.
- Switch is located on the bottom of the left vertical bar.
- Press switch to power on unit.
- Switch will illuminate when on.

### AVAILABLE MODELS

RWH-SPL	RWH-SBL	RWH-SMBL
RWP-SPL	RWP-SBL	RWP-SMBL

WH - wall mounted & hardwired  
WP - wall mounted & plug-in

P-Polished B-Brushed MB-Matte Black

### CONTACT

**TEL:**  
404-3509738

**FAX:**  
404-3550166

**EMAIL:**  
[customerservice@ambaproducts.com](mailto:customerservice@ambaproducts.com)

**WEB:**  
[www.ambaproducts.com](http://www.ambaproducts.com)

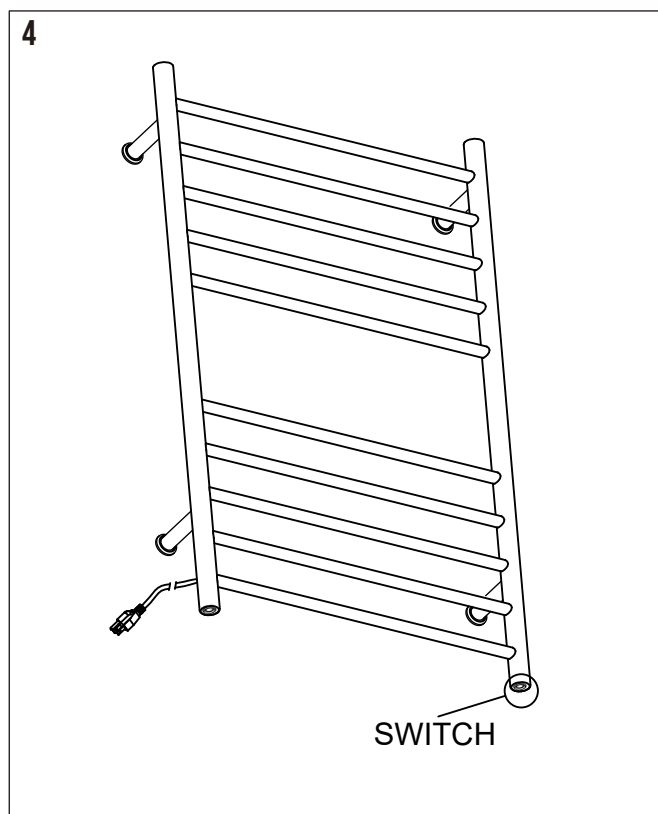
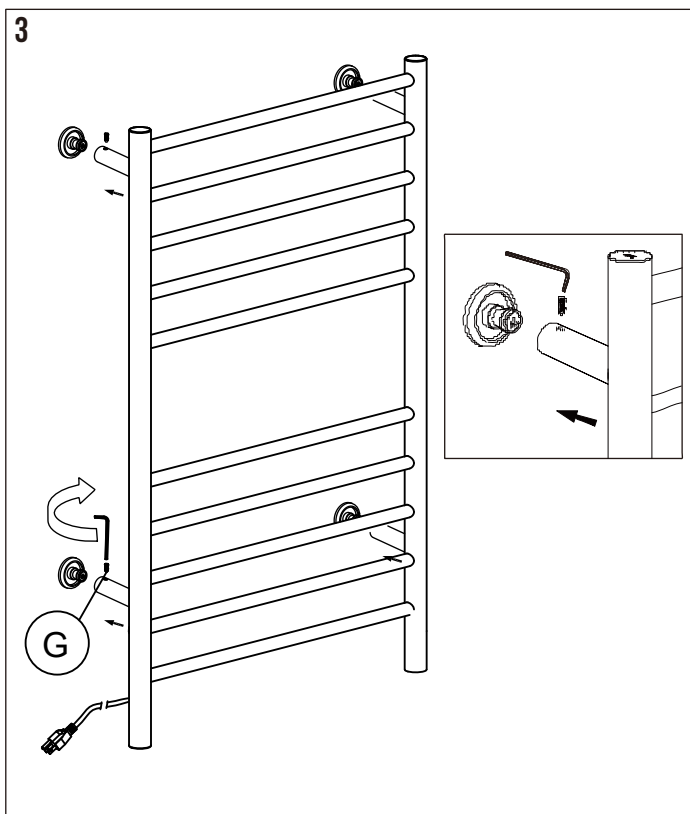
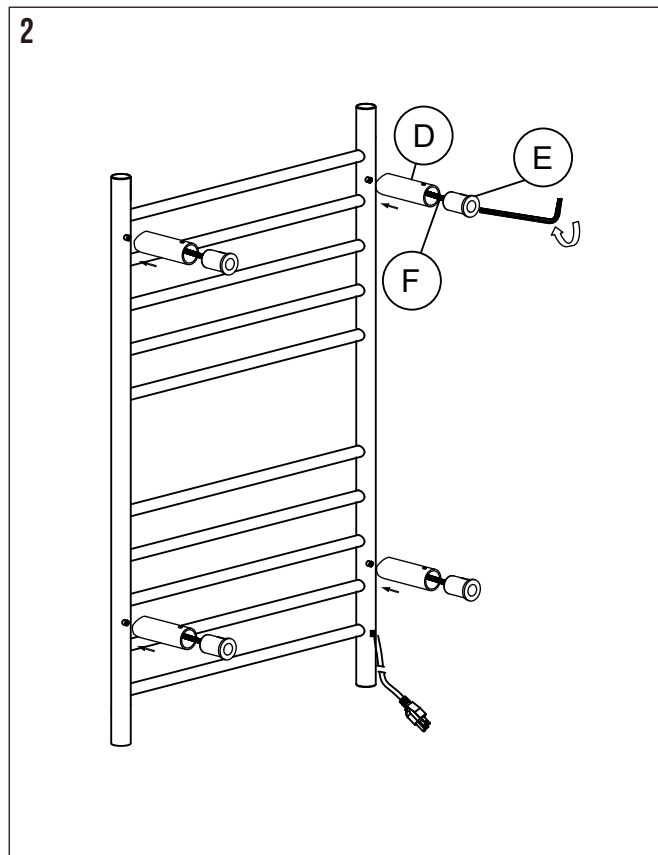
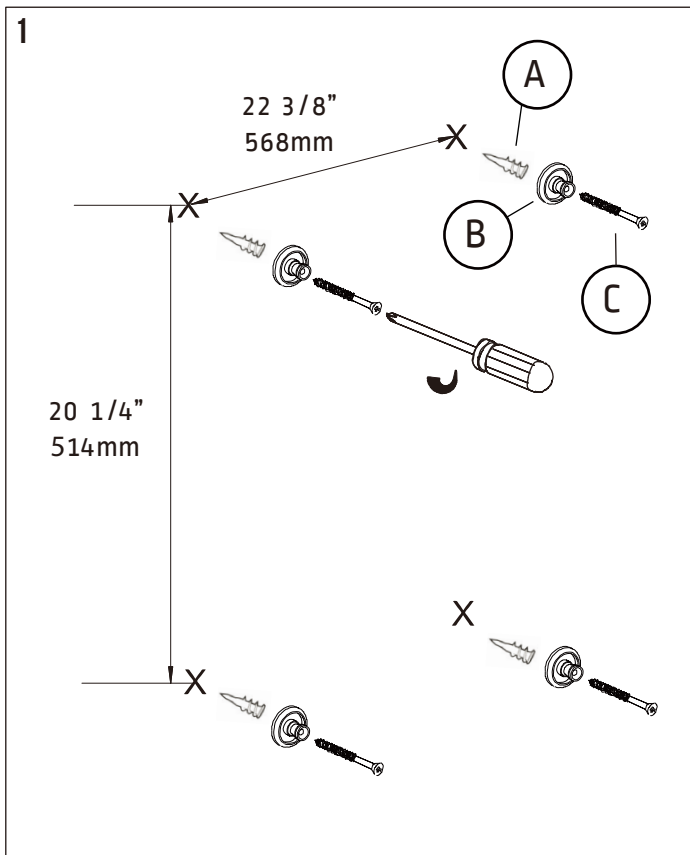
**! CAUTION SURFACE OF UNIT IS HOT WHEN ON !**

# RADIANT STRAIGHT

INSTALLATION INSTRUCTIONS—PLUG IN



BEFORE STARTING ASSEMBLY MAKE SURE ALL COMPONENTS LISTED ARE IN THE PACKAGE



DO NOT OVER-TIGHTEN SET SCREW

TURN UNIT ON WITH SWITCH

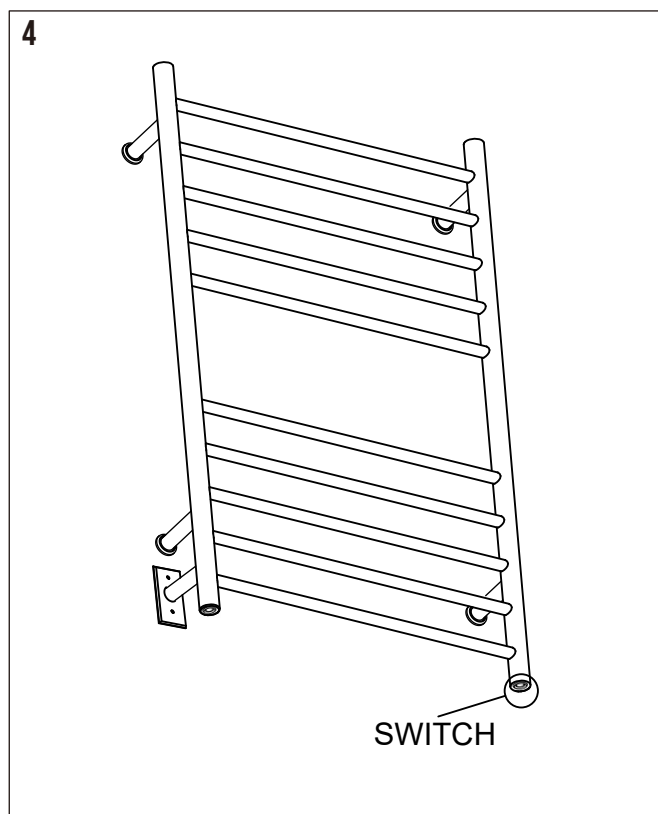
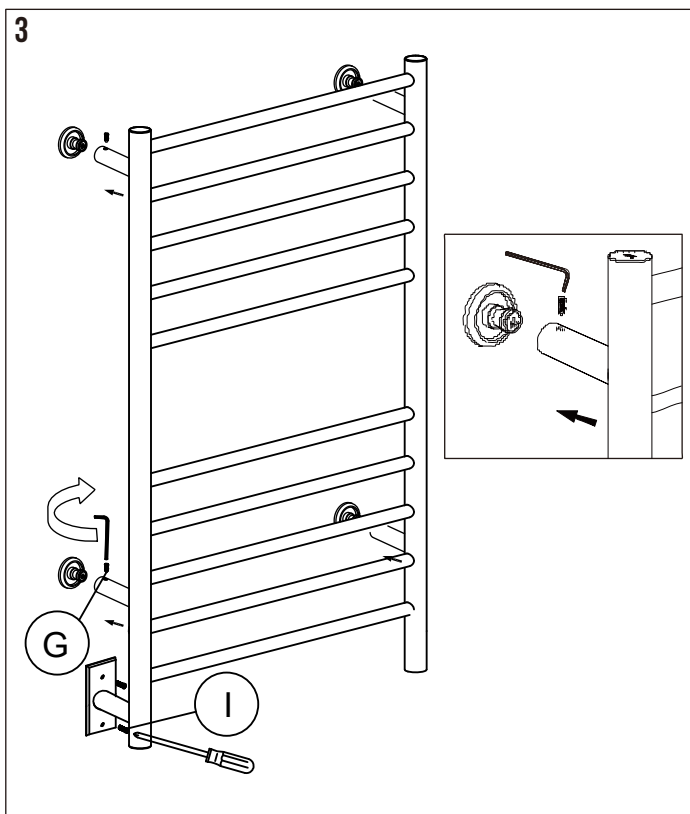
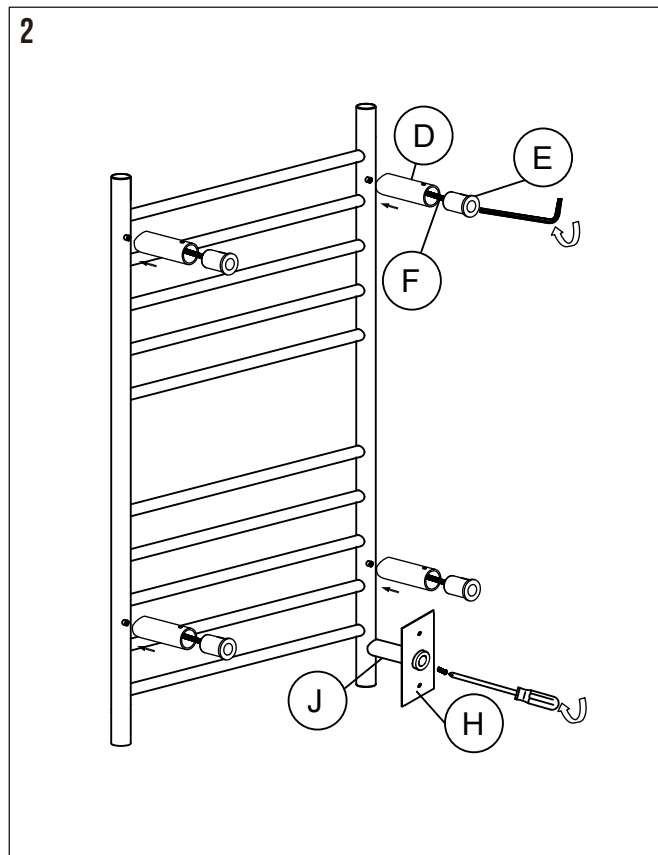
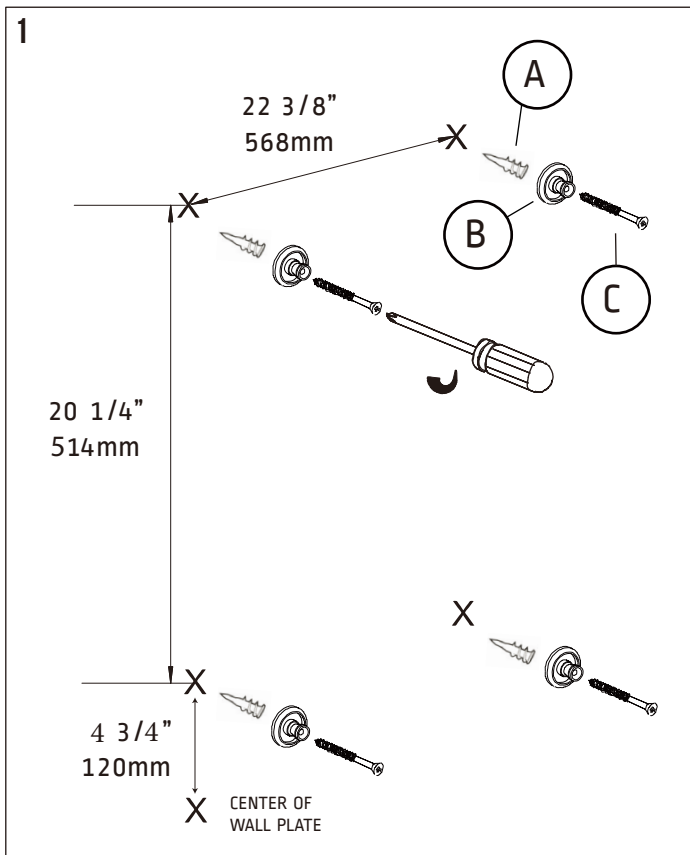
**! CAUTION — SURFACE OF UNIT IS HOT WHEN ON !**

# RADIANT STRAIGHT

## INSTALLATION INSTRUCTIONS—HARDWARE



BEFORE STARTING ASSEMBLY MAKE SURE ALL COMPONENTS LISTED ARE IN THE PACKAGE



DO NOT OVER-TIGHTEN SET SCREW

TURN UNIT ON WITH SWITCH

! CAUTION — SURFACE OF UNIT IS HOT WHEN ON !