

Linear Steam Head®

- Quiet, even distribution of steam
- No field assembly required
- Finished Look
- No moving parts
- Minimal profile
- Aroma Feature

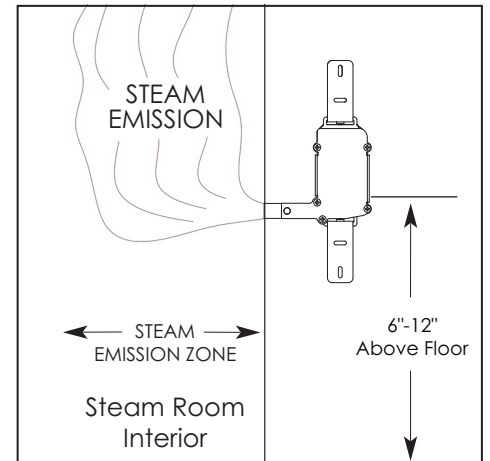
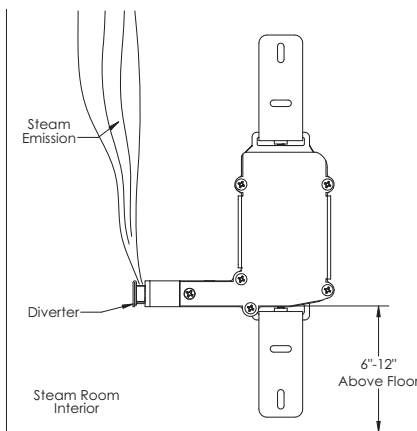
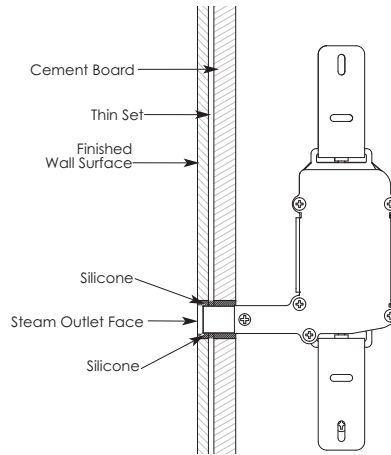
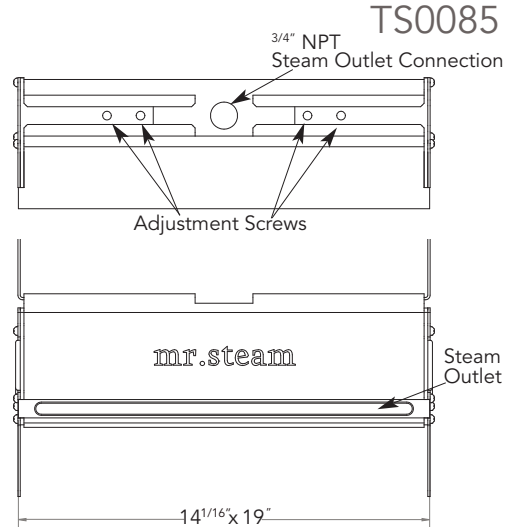
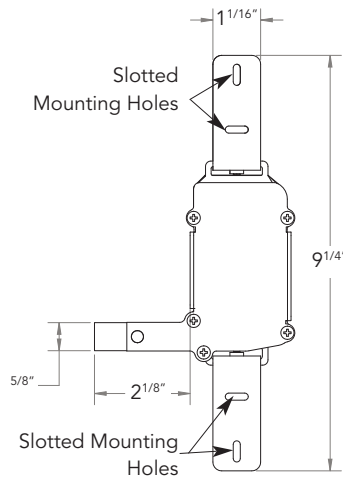
**Linear Steamhead Installation:**  
(3/4" NPT)

**IMPORTANT:** Do not disassemble steamhead. MrSteam's steamhead is shipped fully assembled and requires no additional assembly.

Locate steamhead 6-12 inches above floor, except for tub/shower enclosures; install 6 inches above tub top edge.

**CAUTIONS** Because the steamhead and direct steam emissions are very hot, locate the steamhead where incidental contact by bather with the steamhead or direct steam emission cannot occur.

- Linear Steam Head model 104480 is suitable for MrSteam generator models MS90-400, MSSUPER1-3 and MX4-MX6.
- Two 104480 linear steamheads must be used for models MX4, 5 & 6.
- Using model 104480 for any steam generator model larger than the MX6, or for any non MrSteam brand generators may result in an improper installation or hazardous condition.
- For residential use only.
- Install in a upright orientation only. Installation in a any other orientation may concentrate the steam and result in excessive temperatures.



| Generator Model | Number of Linear Steam Heads | Steam Emission Zone |
|-----------------|------------------------------|---------------------|
| MS90-MS400      | 1                            | 18"                 |
| Super1-Super3   | 1                            | 24"                 |
| MX4-MX6         | 2                            | 24"                 |

**FOR ILLUSTRATIVE PURPOSES ONLY. IMPORTANT NOTE: FOR SAFE AND TROUBLE FREE INSTALLATION**  
visit [mrsteam.com](http://mrsteam.com) before installation to download the Installation, Operation and Maintenance Manual or refer to the manual provided with the unit.

| MODEL   | PROJECT INFORMATION |               |
|---|---------------------|---------------|
| 104480<br><input type="checkbox"/> BB <input type="checkbox"/> BN <input type="checkbox"/> MB <input type="checkbox"/> ORB<br><input type="checkbox"/> PB <input type="checkbox"/> PC <input type="checkbox"/> PN <input type="checkbox"/> SB | Location:           | Contractor:   |
| One 104495 may be used with MX4, MX5 & MX6. See technical specification TS0088 for more information   | Architect:          | Submitted By: |
| Notes:  | Engineer:           | Date:         |

Linear Steam Head®

TS0085

Accessories

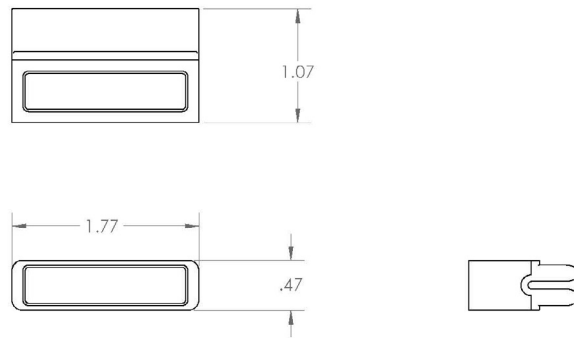
**CAUTIONS** because the Steam Head, Faceplate, Diverter, AromeTray, Escutcheon, Finished Diverter, and direct steam emission are very hot, locate the Steam Head, Faceplate, Diverter, AromeTray, Escutcheon, Finished Diverter where incidental contact by bather or direct steam emission cannot occur.

**Included Accessories**

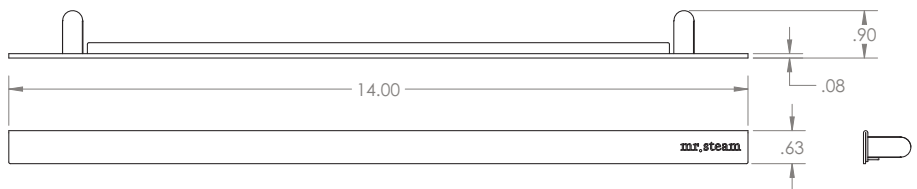
Faceplate



AromaTray  
(Black Chrome Finish Only)

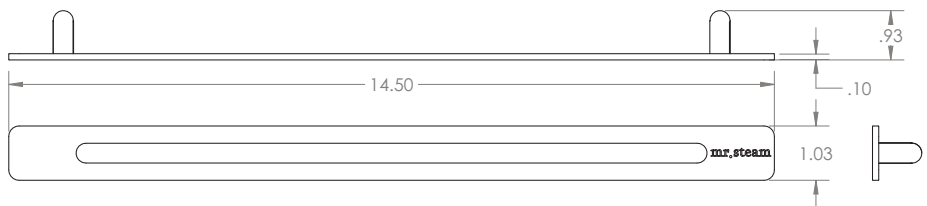


Diverter  
(Stainless Steel Finish Only)

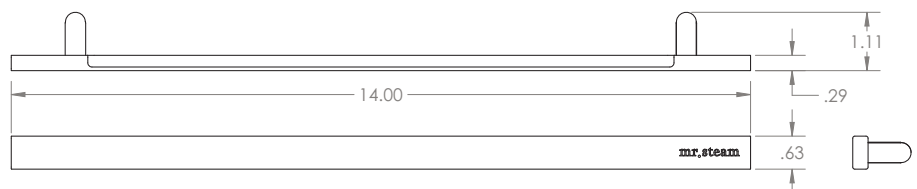


**Optional Accessories**

Escutcheon



Diverter - Finished



- BB
- BN
- MB
- ORB
- PB
- PC
- PN
- SB

**NOTE:** Drawings are for illustrative purposes only. Consult with qualified designer, architect or contractor for steam room construction.

TS0085 Rev 12.23