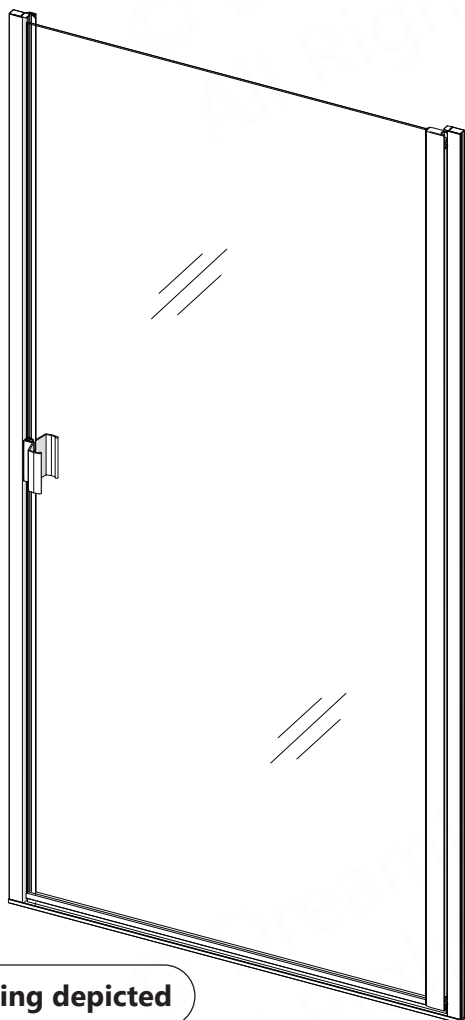


ALLIANCE SWING BG

SHOWER DOOR INSTALLATION INSTRUCTIONS

PLEASE REVIEW THIS ENTIRE MANUAL PRIOR TO INSTALLATION



Right-hand swing depicted

Shower Model #s:

SDA124W660	SDA131W660
SDA125W660	SDA131W690
SDA126W660	SDA132W640
SDA127W660	SDA132W660
SDA127W690	SDA133W660
SDA128W660	SDA133W690
SDA129W660	SDA134W660
SDA130W660	SDA135W660
SDA130W690	SDA136W660
SDA131W640	SDA136W690

Available in:

01 - Chrome
04 - Brushed Nickel
06 - Oil Rubbed Bronze
09 - Satin Black

IMPORTANT!

DreamLine[®] reserves the right to alter, modify or redesign products at any time without prior notice for the purpose of product improvement and customer experience. Please refer to the model's web page on **DreamLine.com** for the latest technical drawings, installation manuals, warranty information or additional product details.

Do Not Return Product to the Store. Contact DreamLine[®] with any questions



Questions?

Please contact DreamLine Customer Support
See DreamLine.com for hours of operation

Support@DreamLine.com

1-866-731-2244





Record the following purchase information for your records or in the event you need to contact DreamLine®:

Purchase Order
Number _____

Store/Vendor
Purchased From _____

Installation Date _____

OD Number
(optional) _____
*found on the shipping box or label
if available.






Installed By: _____

SKU Number _____

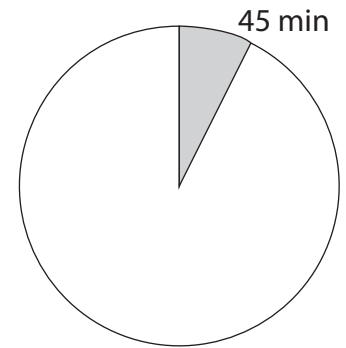
Table of Contents

Section Title	Page #
Warnings and General Preparation	2
Model Specific Preparation	3
Tools	4
Detailed Diagram of Shower/Tub Door Components	5
Parts List	6
Installation Steps	7-17
Product Maintenance	18
Troubleshooting	19
Factory Parts Information	20-23

Symbol Legend

	TIP - for ease of installation.		CORRECT - recommended.
	NOTE - take note of special feature; additional information.		INCORRECT - not recommended.
	REQUIRED - requires special attention; signifies a warning.		

Average Installation Time





IMPORTANT

- DreamLine® reserves the right to alter, modify or redesign products any time without prior notice for product improvement and customer experience. Please refer to the model's web page on DreamLine.com for the latest technical drawings, installation manuals, warranty information or additional product details.
- This product should be installed by someone familiar with the construction requirements for this type of project and the care necessary for the safe installation and operation of the product.
- The safety of any installation is the responsibility of the installer.
- Professional installation recommended. (*All Models*)
- Professional installation required. (*Enigma Series*)
- To prevent damage or serious injury, Do Not lean against the installed panel/door/glass.
- To prevent damage or serious injury: Do Not attempt to lift or move a heavy lite of glass alone. Use an assistant and/or a professional grade glass suction cup.
- The installation of some models may require drilling down into the threshold. Contact the manufacturer of the base, tub, or threshold material with any questions regarding the drilling of holes into their product.
- All drawings in this installation manual are for illustrative purposes only and are not drawn to scale.

TEMPERED GLASS WARNING

- Your Shower Door Glass Could Shatter Without Warning if Improperly Installed or Mishandled
- Do Not install or operate a shower door if the glass has chipped corners, slivered edges or is otherwise damaged and/or has been dropped or banged into a hard surface such as tile, marble or glass.
- **The main causes of tempered glass breakage are:**
 - Improper handling, storage or installation
 - Misuse/abuse
 - Lack of maintenance
 - Failure to replace damaged glass
 - **Improper handling during storage, unpacking and installation:**
 - Corners and edges are the most susceptible area to damage on a lite of tempered glass and should be protected and handled with care during storage, unpacking, installation and operation. A concentrated point of pressure or impact with a surface harder than itself may cause the tempered glass to shatter. The tempered glass may release immediately, within several hours or even days later.
 - **Incorrect installation of door hardware, rollers, hinges, channels, stopper or glass:**
 - Improper installation may include: loose hardware and/or lack of proper gaskets between the hardware and glass. Additionally, improper alignment of guide rails, wall profiles or other hardware during installation or operation may place stress on the glass edges and cause it to break.
 - This product must be installed by a professional and experienced installer familiar with the safe handling of tempered glass.
 - **Improper use of this product:**
 - Aggressively opening or closing the door may cause trauma to the glass, which can lead to breakage. This may occur immediately or hours or even days later.
 - **The shower door hardware and glass should be inspected periodically:**
 - Instruct the homeowner how to perform a periodic inspection of the shower hardware and glass - some minor adjustments may be necessary based upon the use (or misuse) of the shower door. Ensure that the hardware remains tight and that the door alignment and operation are correct. Any adjustments should be made upon discovery to prevent damage to the product.
 - Additional considerations should be given to the installation of frameless tempered glass products in households with young children or an elderly person due to an increased chance of improper handling. In such cases, alternatives such as shower curtains or grab bars should be considered.

GENERAL PREPARATION

- After opening all boxes and packages, read this introduction carefully. Check that all the items are included in the package by marking off the components on the "**Detailed Diagram of Product Components**" page. Examine all boxes and packages for shipping damage. If the unit has been damaged, has a finishing defect, or is missing parts; please contact our Customer Support department within 3 business days of the delivery date. **Please note that DreamLine® will not replace any damaged products or missing parts free of charge after 3 business days or if the product has been installed.** Please contact DreamLine® if you have any questions.
- **Please note that you should refer to your local building codes with questions on installation compliance standards. Building and plumbing codes may vary by location, and DreamLine® is not responsible for code compliance standards for your project and will not accept any returns.**
- If this unit is going to be installed in a new construction, install all the required plumbing and drainage before installing the shower. **Use a competent and licensed (if required by local code) plumber for all plumbing installation.**
- Make sure that prior to beginning the installation, the surfaces are leveled and solid and will be able to support the total weight of the unit. Also make sure the walls are at right angles. Irregular installation surface level, radius corners or improper angle of side walls will result in serious problems for your installation. Please note that some adjustments and drilling will be necessary during the installation process.
- Protect all primary surfaces of the product during installation. Never set your glass down directly onto a tile floor. Leave corner protectors in place until it is necessary to remove them. Always use a piece of wood or cardboard to protect the bottom edge and corners of the glass prior to and during installation.
- This unit must be installed upon a finished threshold and against finished walls.
- *DreamLine® shower doors are not designed to be installed into a fiberglass surround due to the radius corners and lack of a solid surface to mount the hardware.*

WARNING: TO AVOID THE RISK OF DAMAGE OR INJURY:

- **Follow all recommendations and requirements as shown in the installation instructions.**
- Perform a thorough inspection of the glass and all parts for any damage prior to installation. Any damage to tempered glass can cause breakage. **Do Not install damaged glass!**
- Do Not install or operate a shower or tub door if the glass has chipped corners, slivered edges or is otherwise damaged. Do Not install or operate a shower or tub door that has been dropped or banged into a hard surface such as tile, marble or glass.
- **CAUTION:** Contact with any hard surface can damage tempered glass and cause it to shatter.
- This product uses tempered glass. Glass cannot be cut after it has been tempered. **Do Not attempt to cut tempered glass.**
- DreamLine® Glass Shower doors, Tub doors, Inline panels, and Return panels can shatter due to improper handling or lack of maintenance. Conduct periodic inspections of glass and all parts for possible damage, missing or loose parts.
- Always wear proper safety equipment such as: safety goggles, work gloves and appropriate footwear during the installation process.
- **WARNING. Risk of leakage and/or damage.** Follow all instructions regarding the application of silicone sealant or caulk. Allow 24 hours for the sealant to cure before the initial use of the shower or tub product. Follow the silicone manufacturer's recommendations regarding the use of their product.
- **Thoroughly read these instructions before installing or using this product.**
- **Leave this manual for the end-user of the product.**



This product should be installed by someone familiar with the construction requirements for this type of project and the care necessary for the safe installation and operation of the product.

Model Specific Preparation

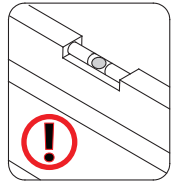


REQUIRED:

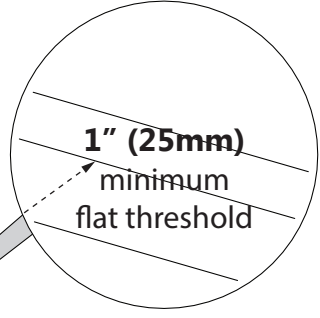
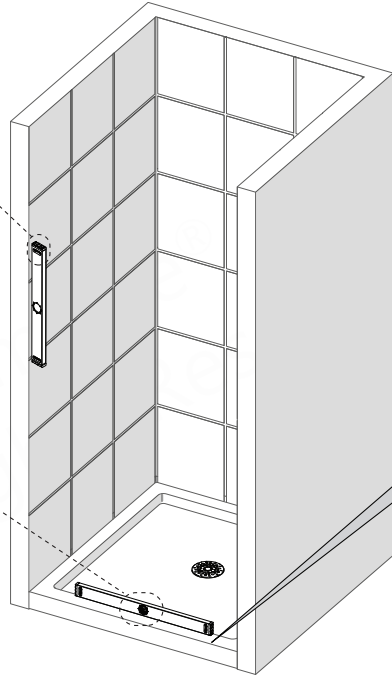
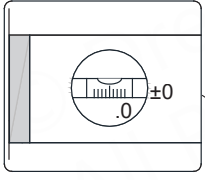
1/4" Out-of-Plumb Adjustment; Verify threshold and walls with a level



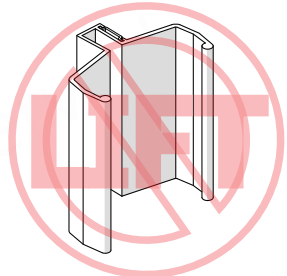
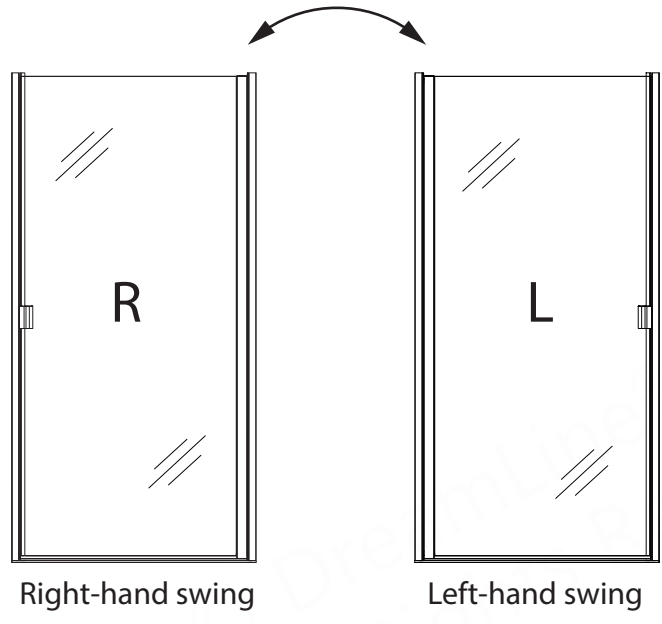
Threshold must be level and pitch in slightly



Threshold must be level



This door is reversible. It can be installed to open on either side of the shower.



Do Not attempt to lift the Door Glass by the Handle. Doing so can result in glass failure and/or injury.



DO NOT attach the Pull Handle to the door glass until instructed.
DO NOT attempt to use the Handle to lift the door glass during installation.
 This may result in damage to the glass and/or serious injury. Always use a professional-grade glass suction cup and an assistant.

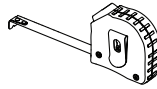


Professional Installation recommended

Tools



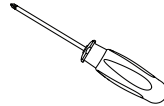
4-Foot Level



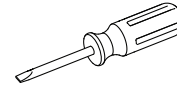
Tape Measure



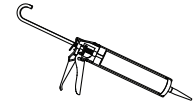
Pencil



Phillips
Screwdriver



Flat-head
Screwdriver



Caulk gun with
clear, mold-resistant
Silicone



Screw Gun
or Impact Driver
w/ #2 Phillips bit



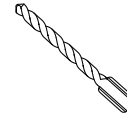
Power
Drill



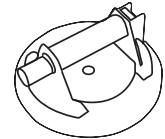
Drill Bit
Ø1/8"
(3mm)



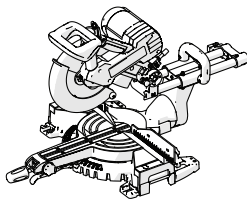
Drill Bit
Ø3/16"
(3.5mm)



Drill Bit
Ø5/16"
(4mm)



Professional-grade
Glass suction cup



Compound Miter Saw
with Blade for Metal



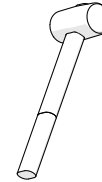
Razor Knife



Safety Glasses



Work Gloves



Rubber Mallet



Metal File

Verify that the correct model size has been ordered; measure the finished opening **before** proceeding with the installation.

TIP

Confirm that the finished walls are plumb and the threshold is level and pitched into the shower area.

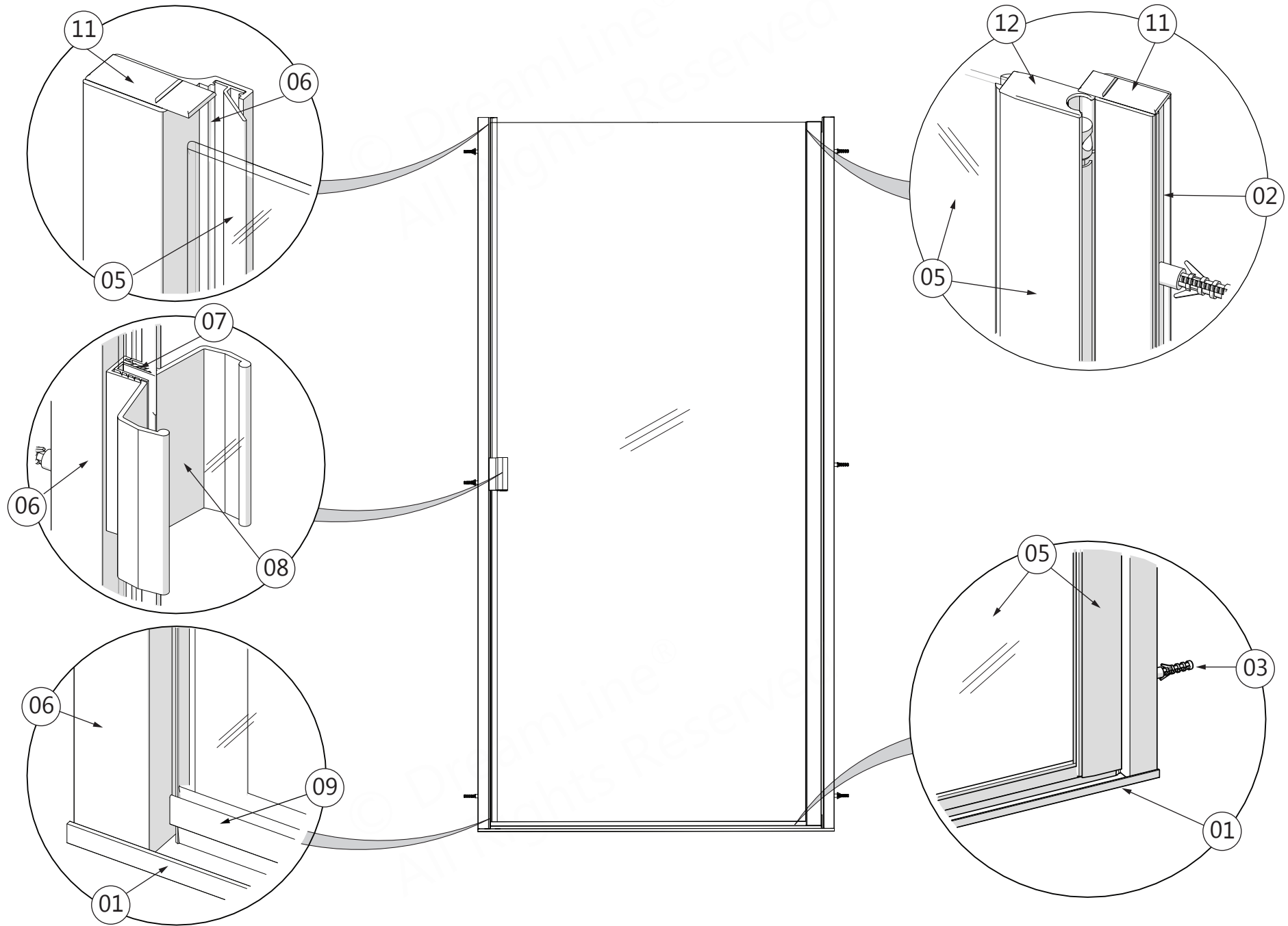
Use a good-quality, waterproof and mildew-resistant 100% silicone caulk.

Cover the shower/tub drain with tape prior to installation to prevent the loss of screws or small parts.

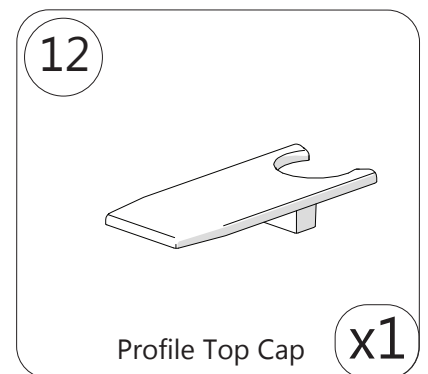
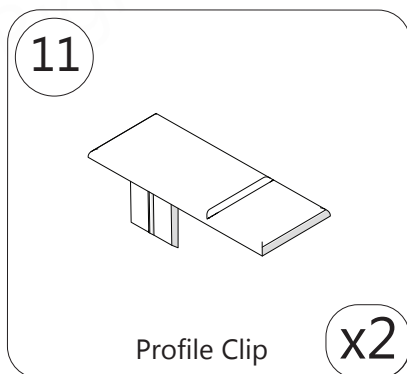
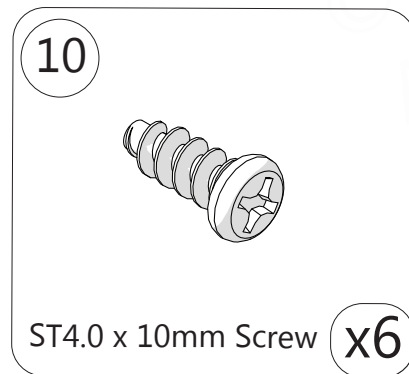
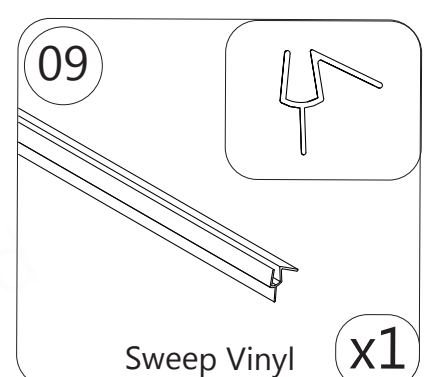
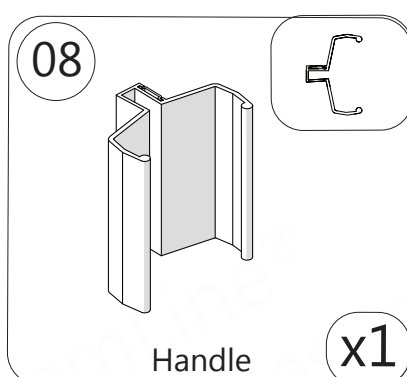
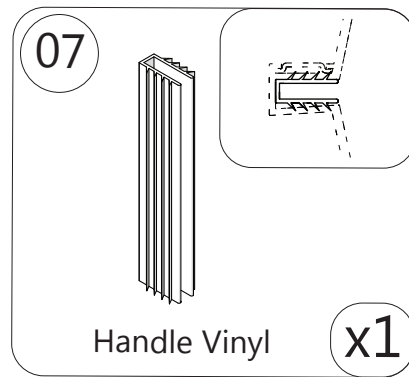
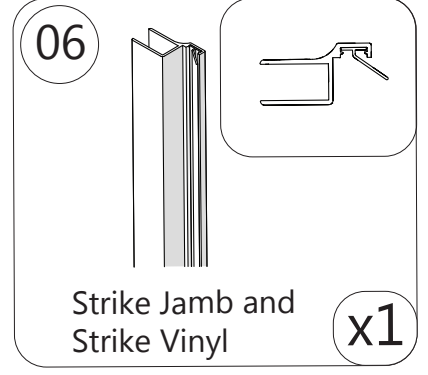
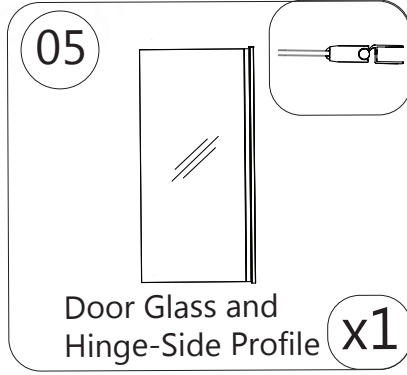
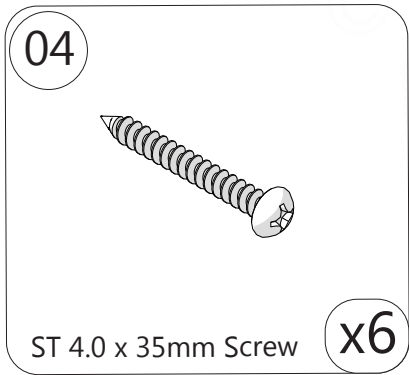
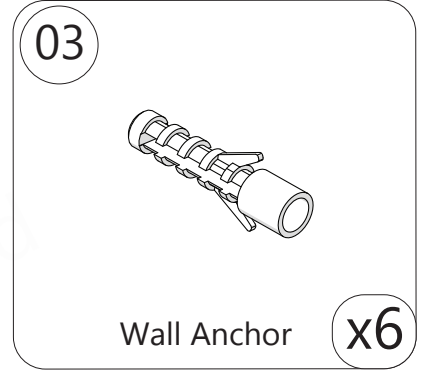
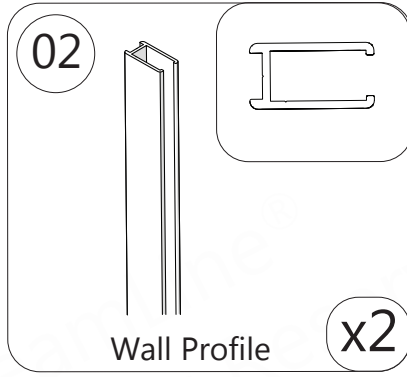
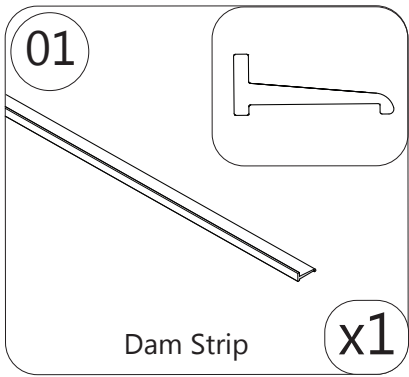
NOTE

Unpack your unit carefully and inspect it. Lay it out and identify all parts using the **Detailed Diagram** on page 5 and Parts List in this manual as a reference. Before discarding the carton, check for small hardware bags that may have fallen to the bottom of the box. If any parts are damaged or missing, please contact DreamLine® for replacement. The shipping boxes may contain extra parts not used in your model configuration. Retain these installation instructions for future reference.

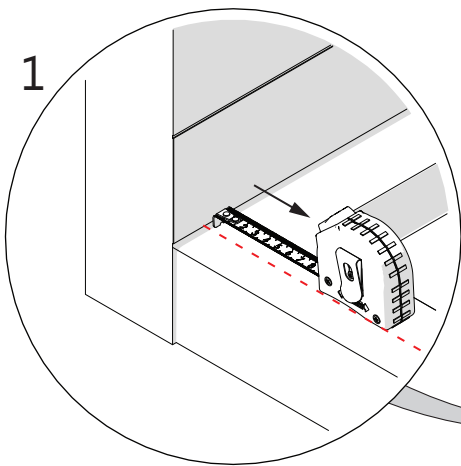
Detailed Diagram of Alliance Swing BG Door Components



Parts List

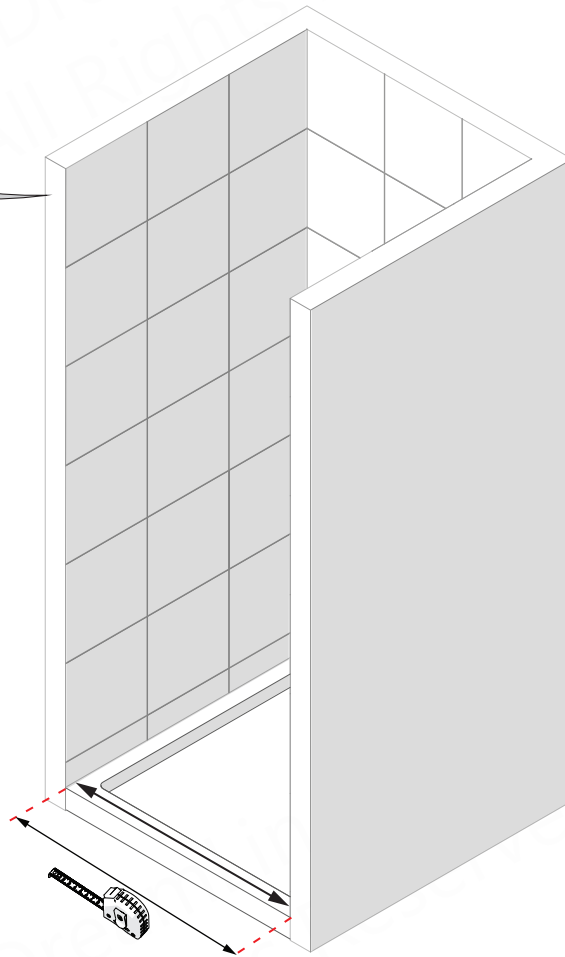
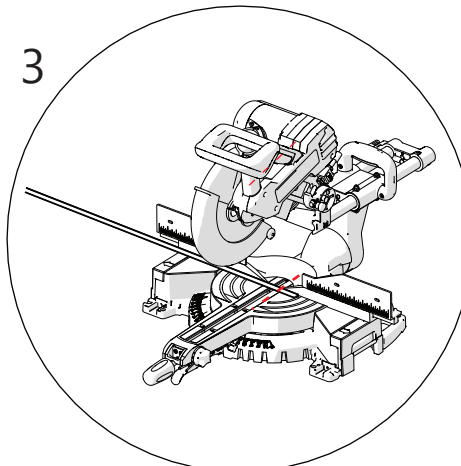
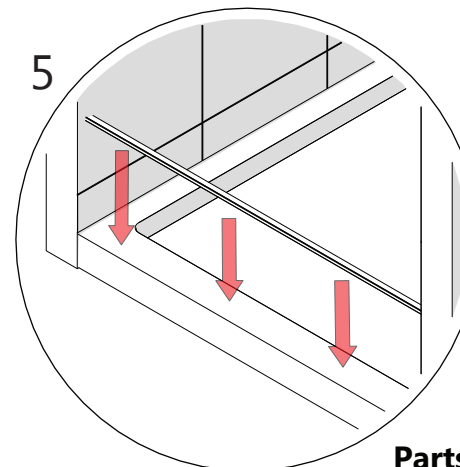
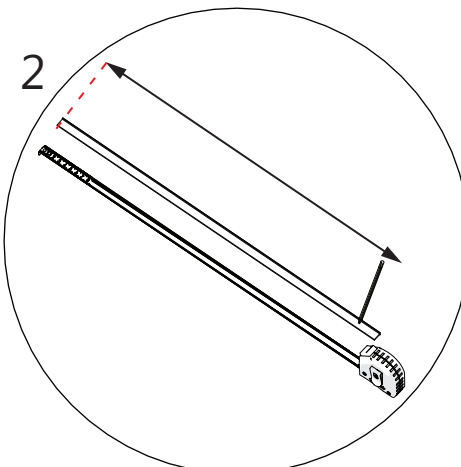
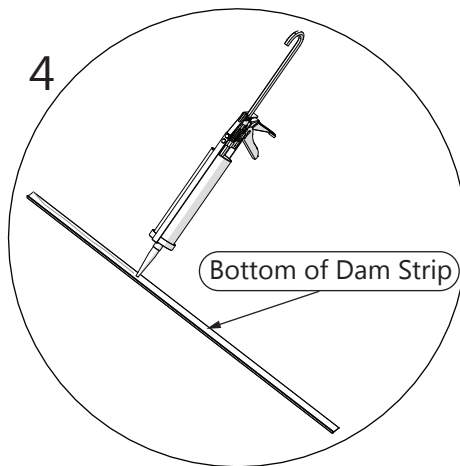


1



NOTE

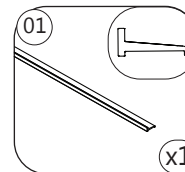
Measure the threshold from wall to wall. Cut the **Dam Strip (#01)** to that length and glue it in place with clear silicone. It should sit parallel to the outside edge of the threshold. **Fig 1**



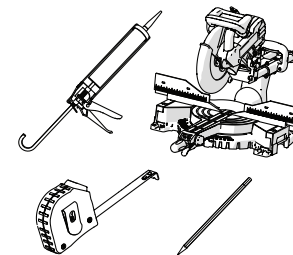
TIP

Use fast-setting silicone and tape the **Dam Strip (#01)** in place to keep it from slipping while the silicone sets up.

Parts Needed



Tools Needed



2

NOTE

Place the vertical **Wall Profiles (#02)** just inside the outer lip on the **Dam Strip (#01)**. Plumb both **Wall Profiles** with a 4 or 6-foot level and mark their position on the walls. Mark the holes for drilling. **Fig 2**

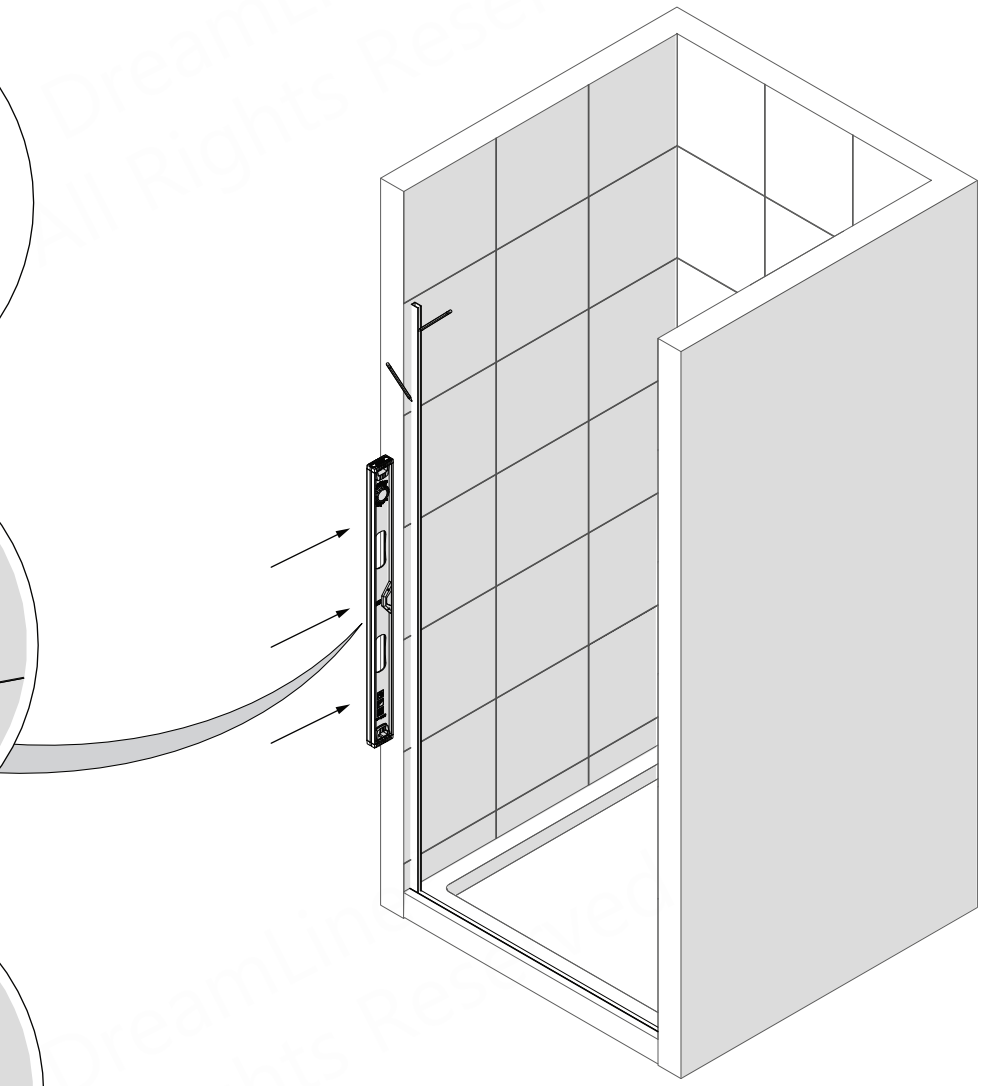
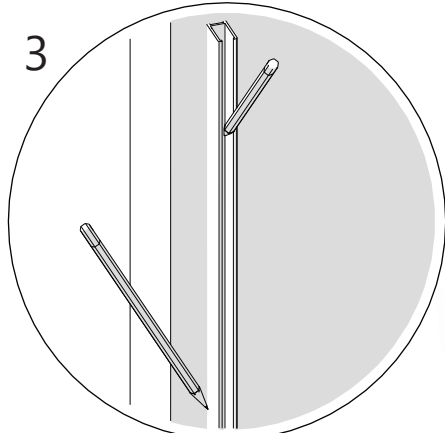
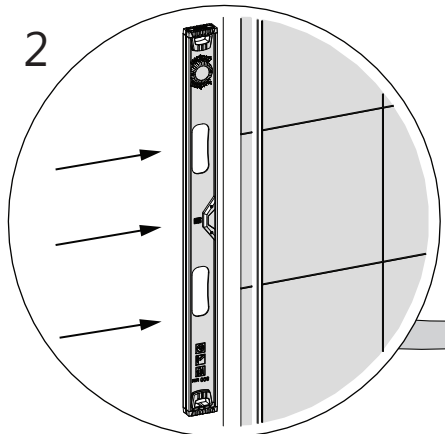
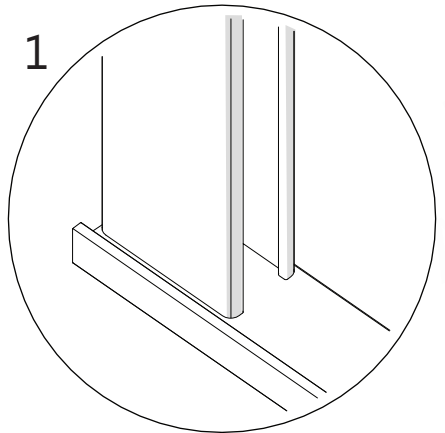
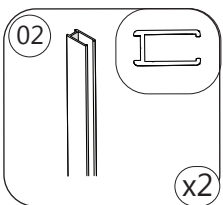
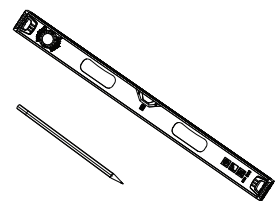


Fig 2

Parts Needed

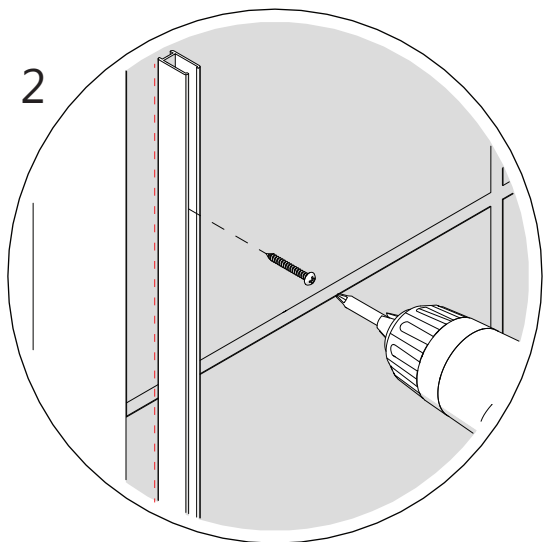
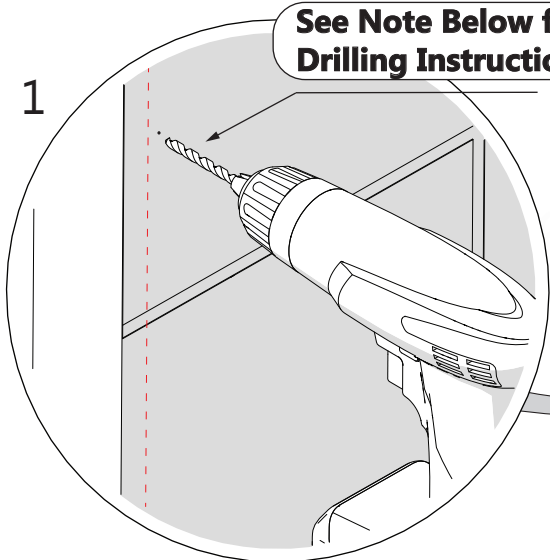


Tools Needed



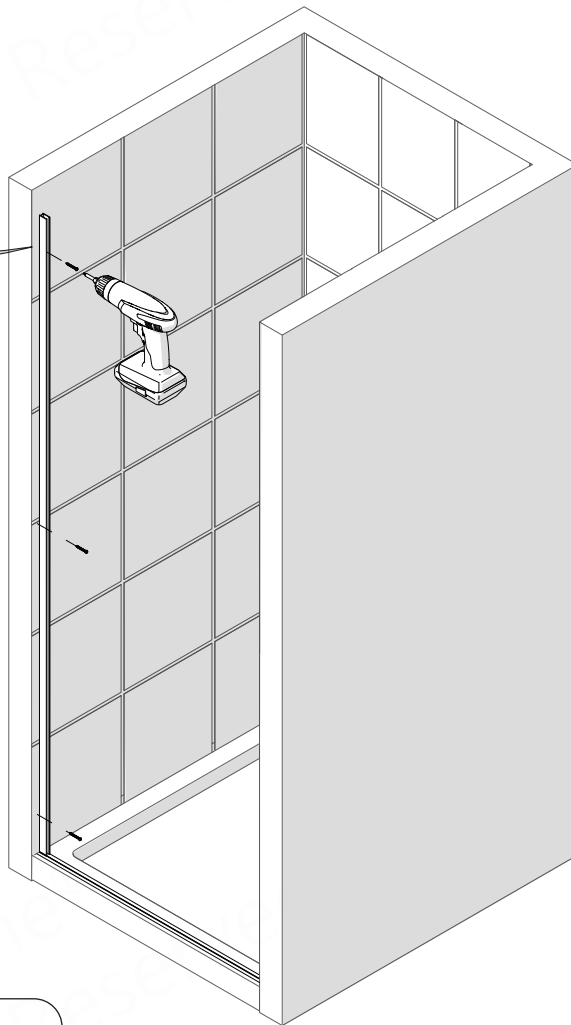
3

See Note Below for Drilling Instructions

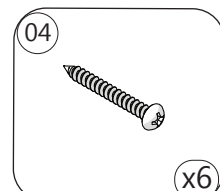
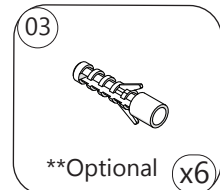
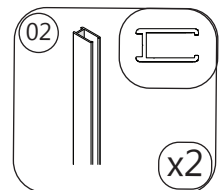


NOTE

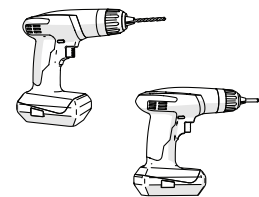
Drill holes on both walls for the **Wall Profiles (#02)**. Install both **Wall Profiles** using the **ST4.0x35mm Screws (#04)** Fig 3



Parts Needed



Tools Needed



Install Both Wall Profiles

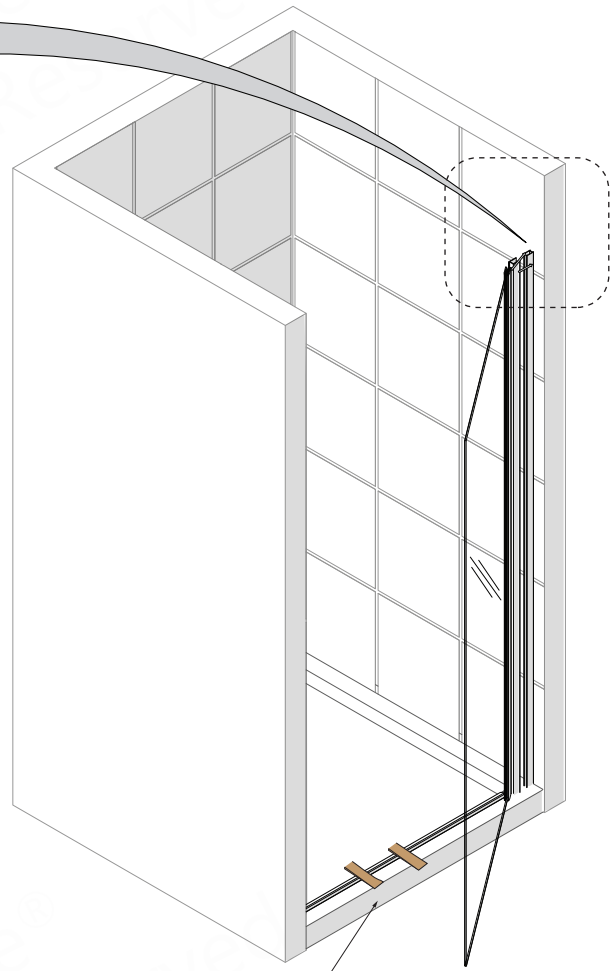
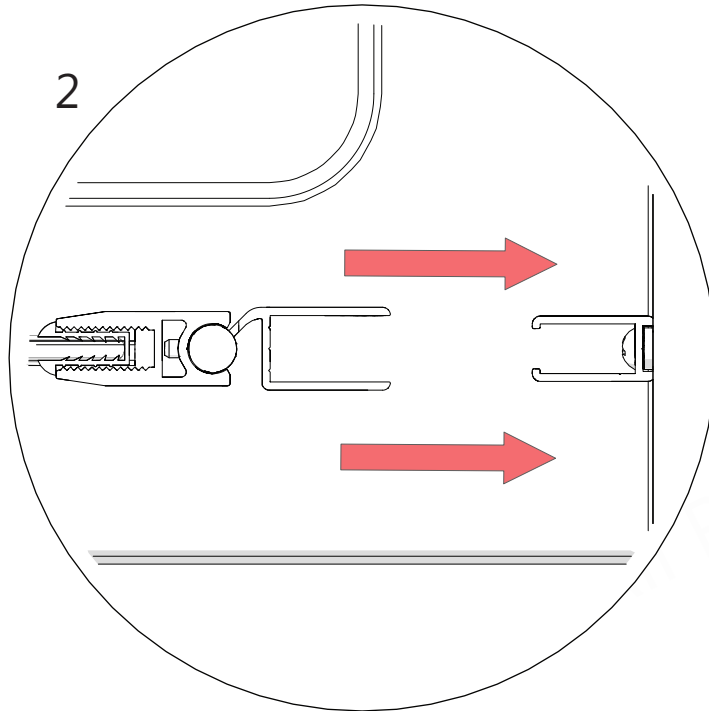
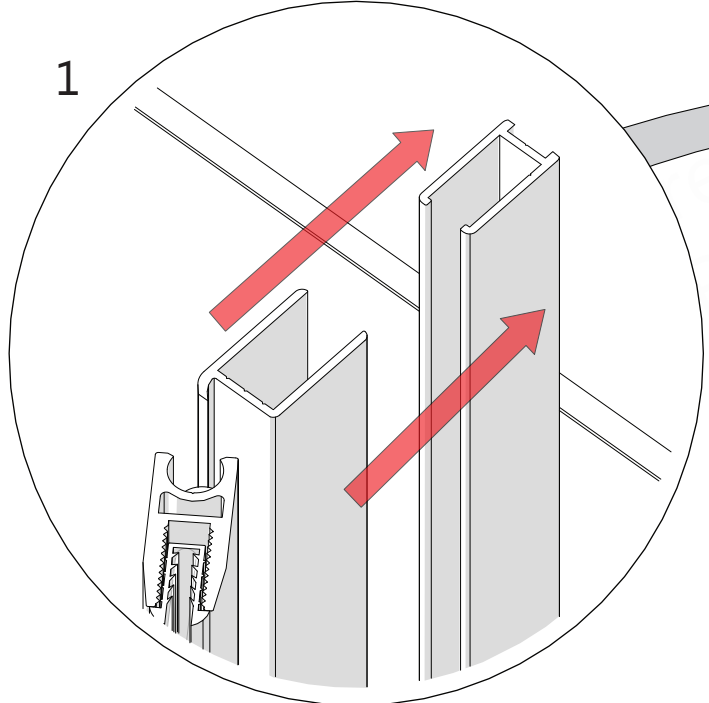
- **If a stud is present behind the wall:** drill a $\text{Ø}3/16''$ (4mm) hole and use the **ST4.0 x 35mm Screws (#04)**
- OR
- ****If no stud is present behind the wall:** drill a $\text{Ø}5/16''$ (7mm) hole and insert a **Wall Anchor (#03)** and use the **ST4.0 x 35mm Screws (#04)**.

NOTE

Fig 3

4

Hanging the Door Glass and Hinge-Side Profile



TIP

Place shims beneath the **Door Glass (#05)** as soon as it is installed to prevent the glass from making contact with the threshold.

Parts Needed

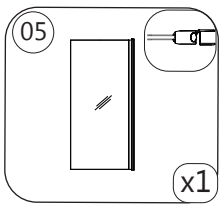


Fig 4

5

Installing the Strike Jamb and Strike Vinyl

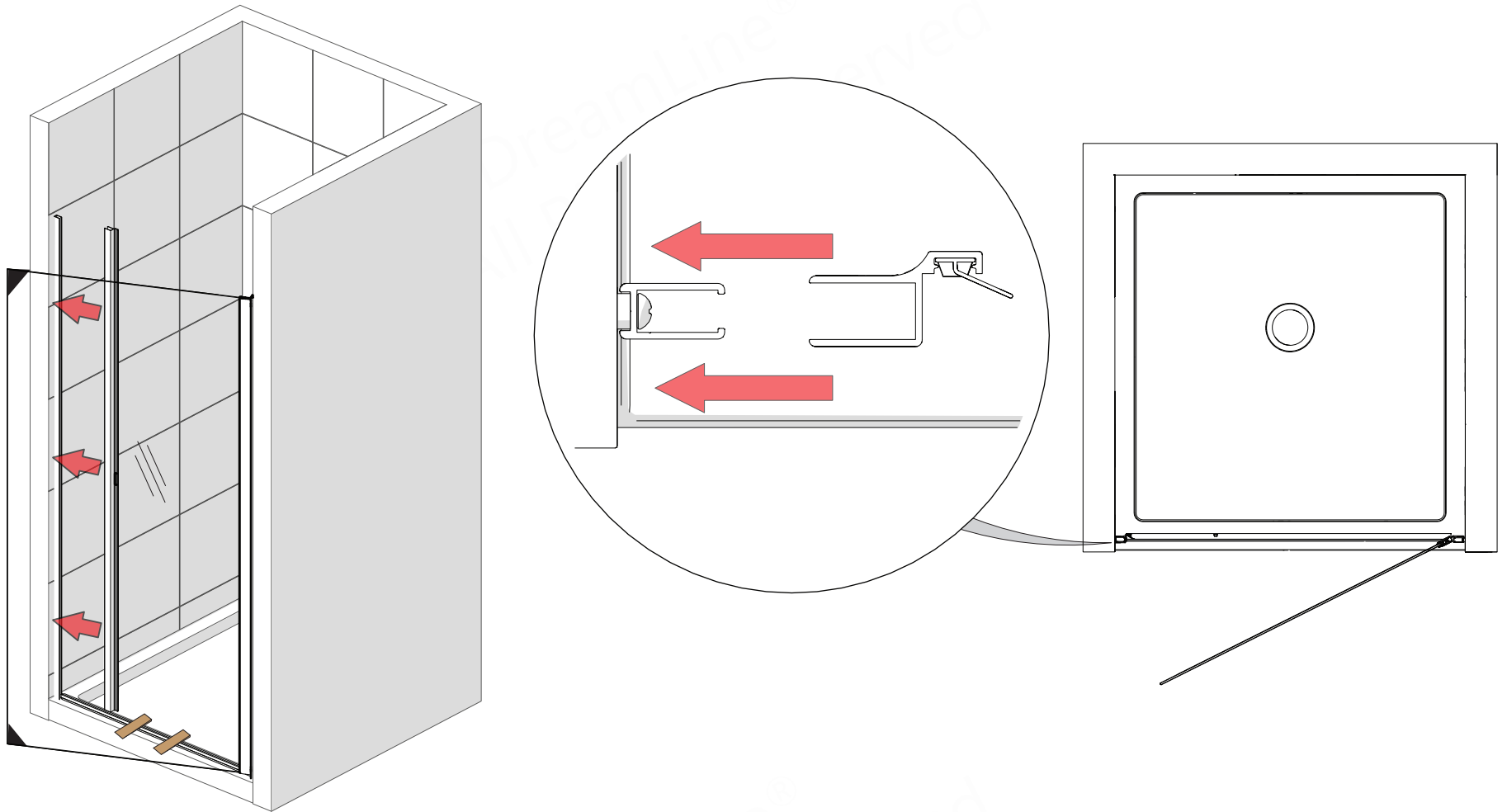
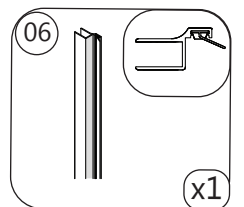


Fig 5



It will be easier to install and adjust the **Strike Jamb (#06)** and the door from inside the shower, with a helper on the outside.

Parts Needed



6

Installing the Handle

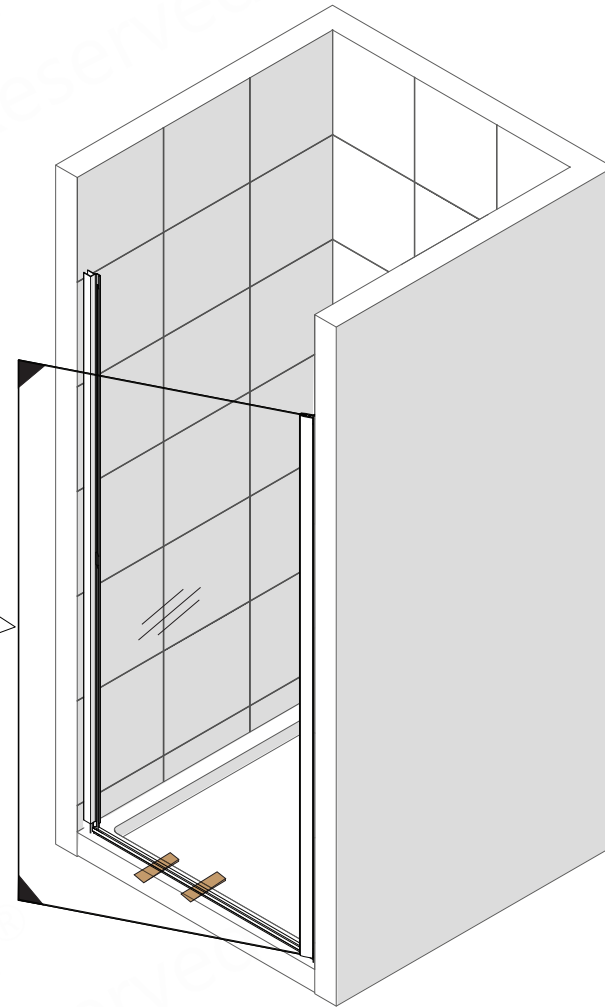
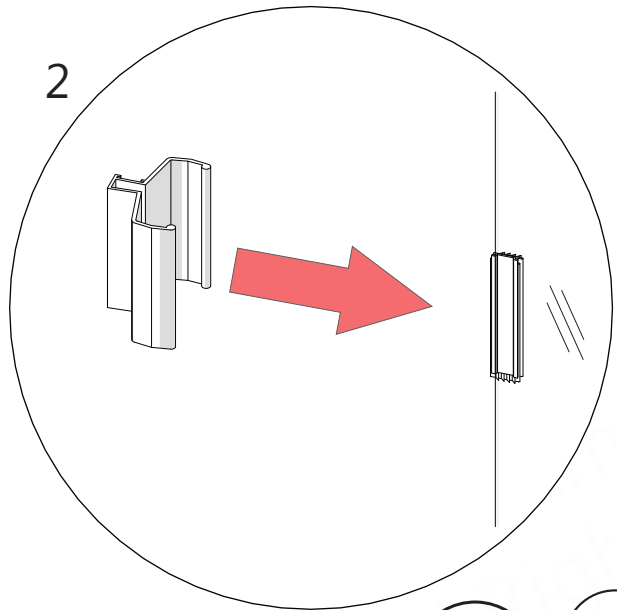
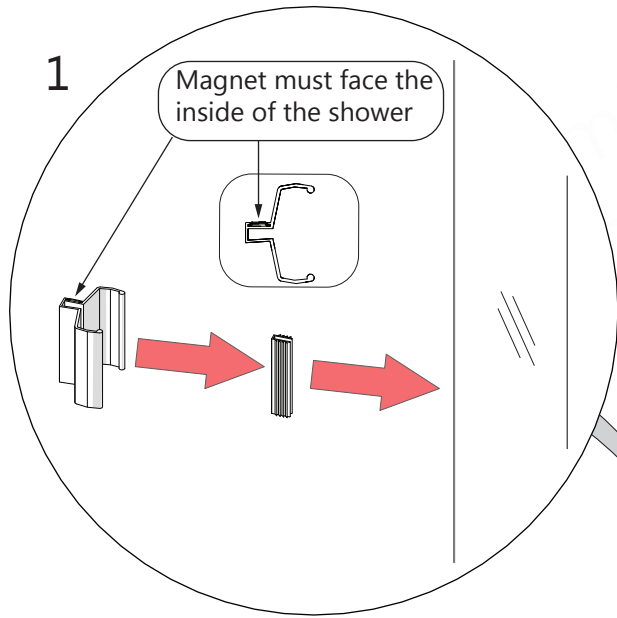
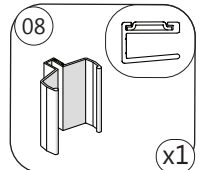
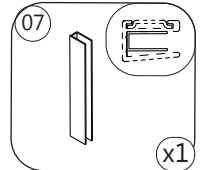


Fig 6



Be sure the **Handle Vinyl and Handle (#07 and #08)** line up with the magnet in the **Strike Jamb (#06)** and that the **Handle and Vinyl** clear the **Wall Profile**. **Fig 6**

Parts Needed



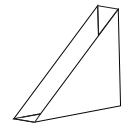
7

NOTE

Adjust the **Door Glass and Hinge-Side Profile (#05)** to bring the strike side edge of the **Door Glass** within **1/8" - 3/16"** of the **Strike Jamb (#06)** **Figs 8.1/8.2**

TIP

Remove the **Corner Protectors** on the **Door Glass** at this point in order to make adjustments.



Corner Protector

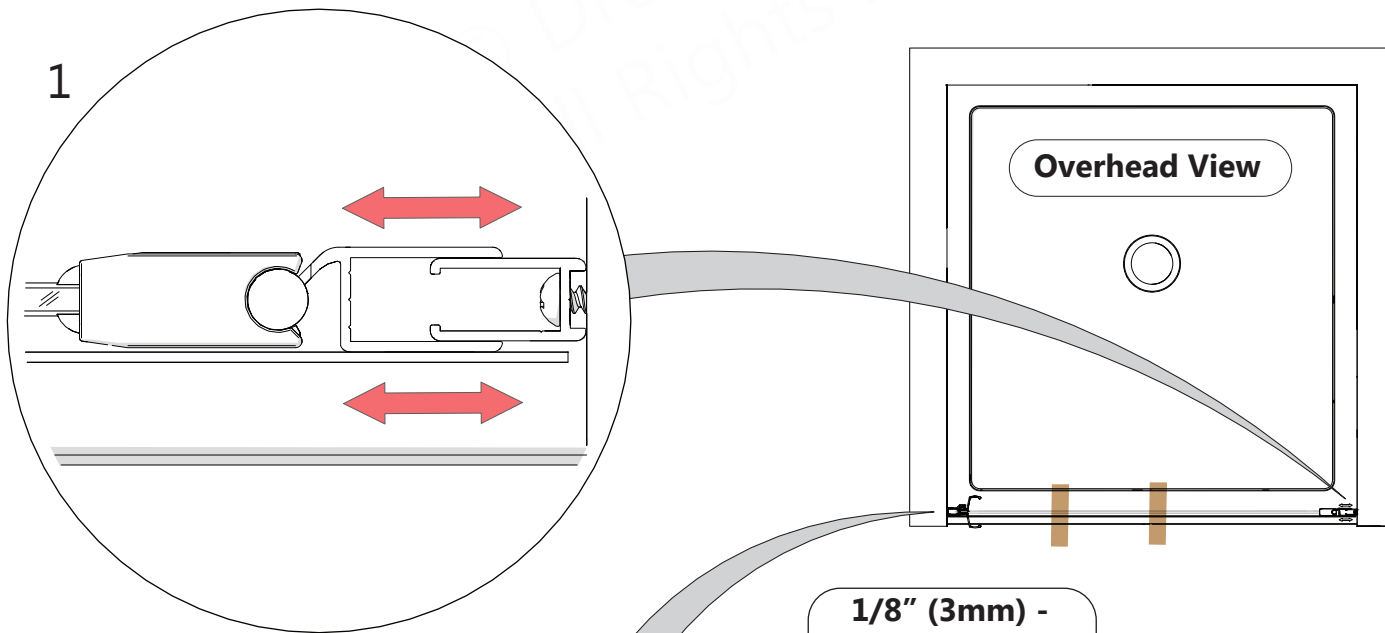
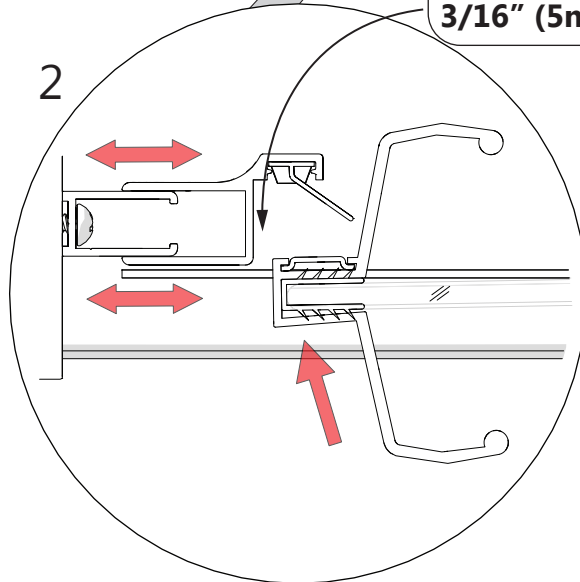


Fig 7

1/8" (3mm) - 3/16" (5mm) gap

NOTE

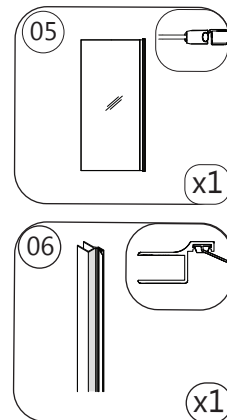
Adjust the **Strike Jamb (#06)** to leave a **1/8" - 3/16"** gap between the **Strike Jamb (#06)** and the edge of the **Vinyl and Handle (#07/#08)** on the **Door Glass**. **Fig 8.2**



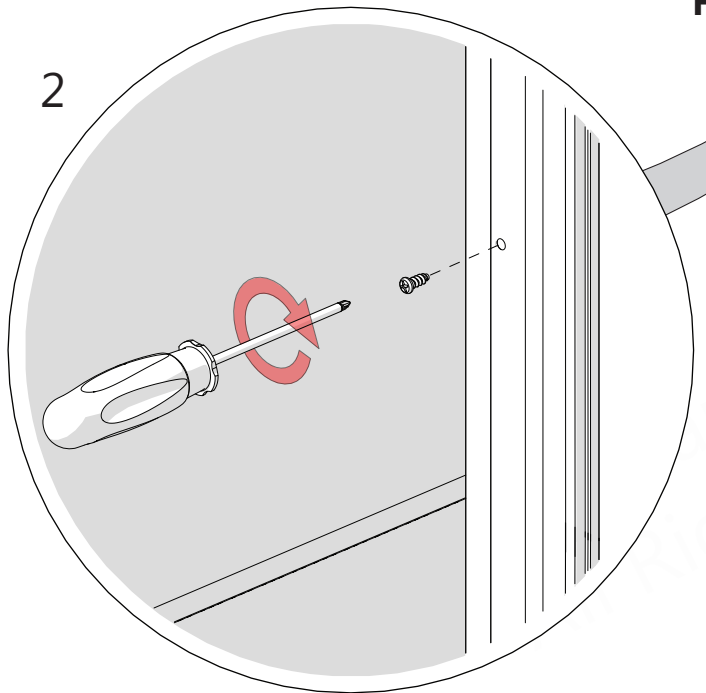
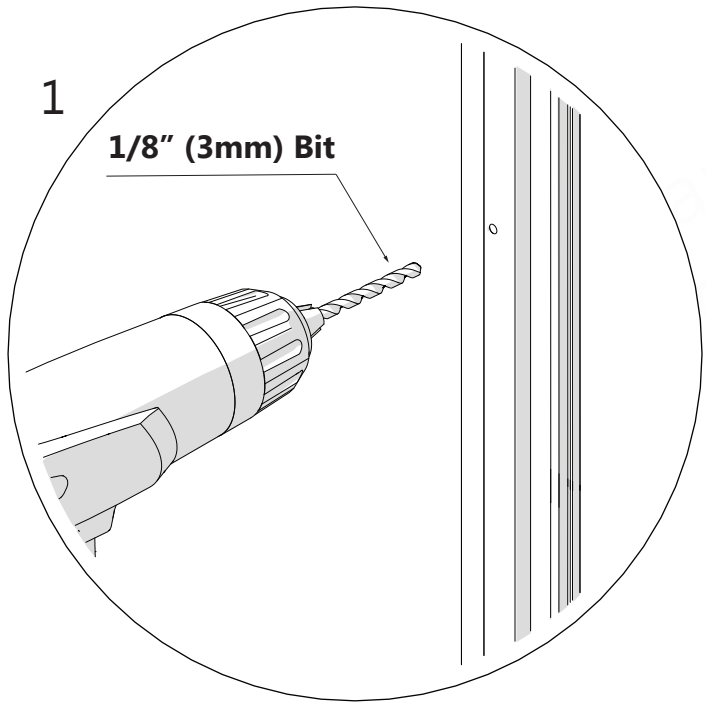
TIP

It will be easier to adjust the **Door Glass and Hinge-Side Profile (#05)** and the **Strike Jamb (#06)** from inside the shower, with a helper on the outside.

Parts Needed



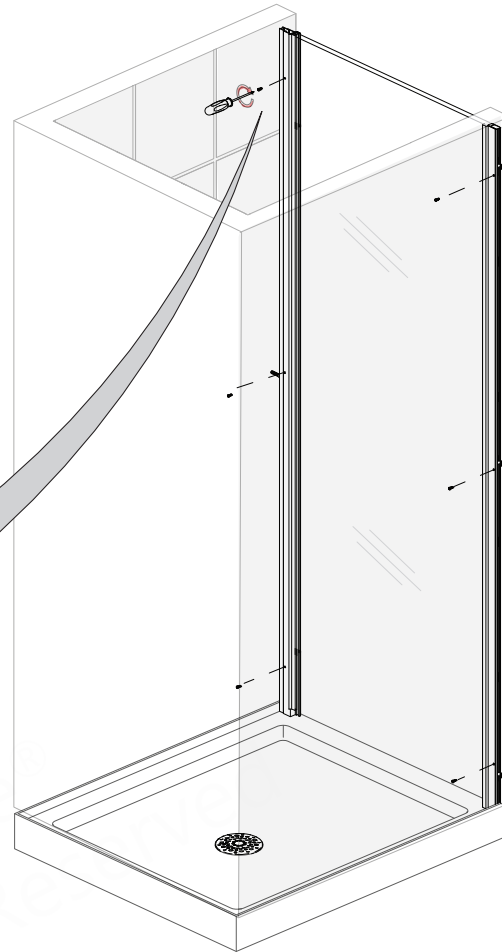
8



NOTE

After all adjustments are made, use a **1/8" (3mm)** bit to drill through just one layer of the inner **Wall Profile (#01)**. Drill three holes on each side. **Fig 8.1**

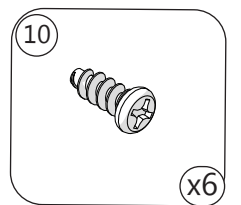
Fig 8



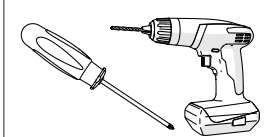
NOTE

Install the **ST4.0 x 10mm screws (#10)** on both sides of the shower. **Fig 8.2**

Parts Needed



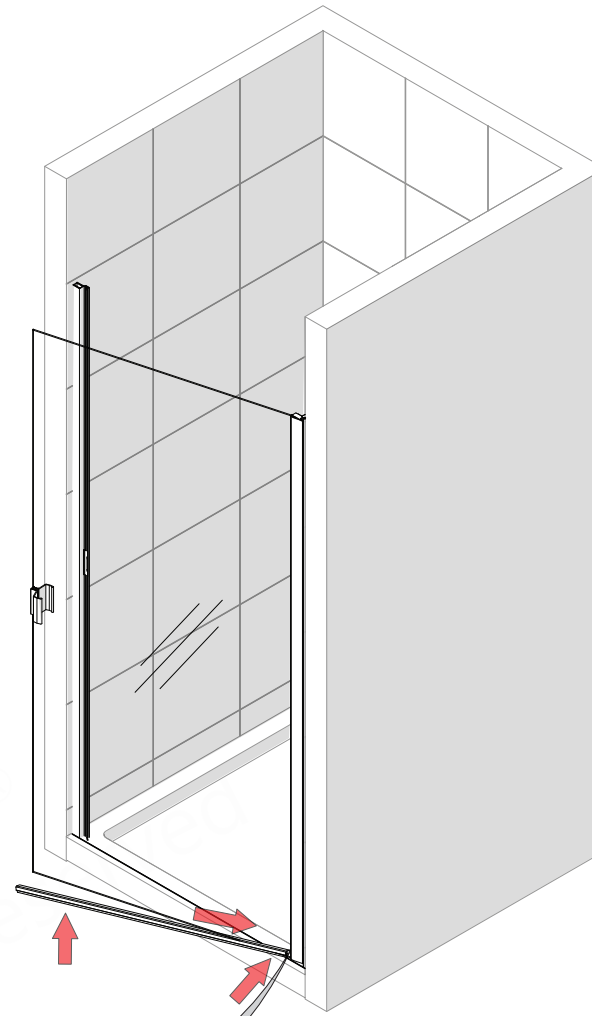
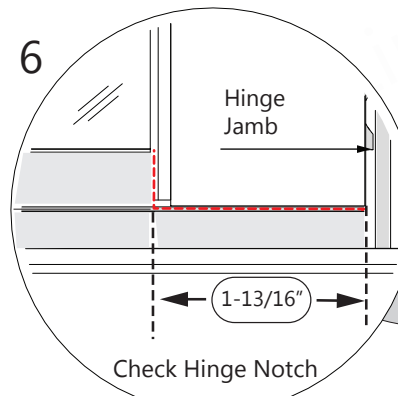
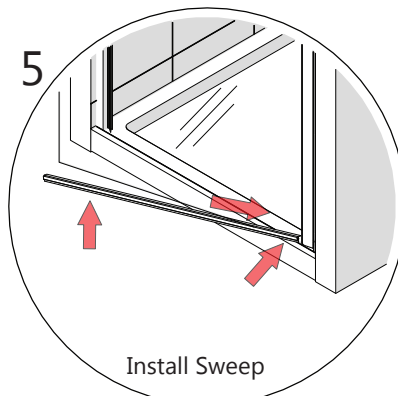
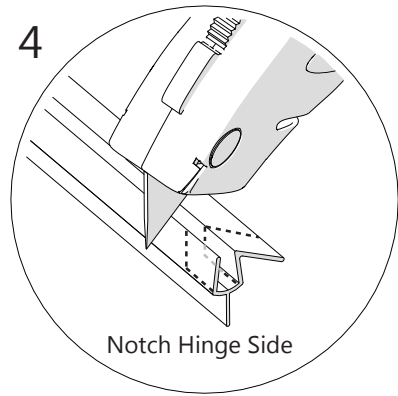
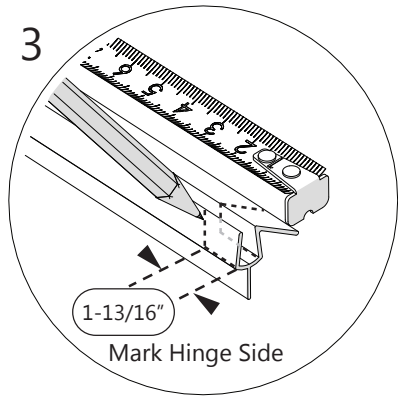
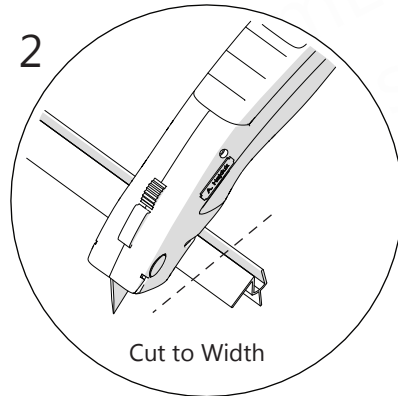
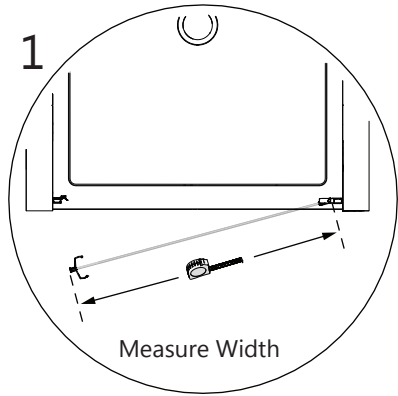
Tools Needed



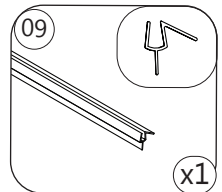
9



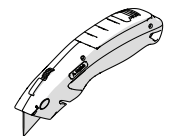
Measure from the strike side of the door glass to the hinge jamb. **Figs 9.1/9.6** Cut the **Sweep Vinyl (#09)** to this length. Notch the hinge side of the **Sweep Vinyl**. **Figs 9.3/9.4**. Push the **Sweep Vinyl** onto the bottom of the **Door Glass**, deflector on the inside, pushing it under the hinge profile until it is against the hinge jamb. **Fig 9**



Parts Needed



Tools Needed



10

NOTE

From inside the shower, mark the **Sweep Vinyl (#09)** where it meets the **Strike Vinyl (#06)**. Use a razor knife to remove only the inner aspect of the **Sweep Vinyl (#09)** **Fig 10.2** so it fits around the **Strike Vinyl** and allows the **Door Glass** to meet the **Strike Vinyl** evenly from top to bottom. **Fig 10**

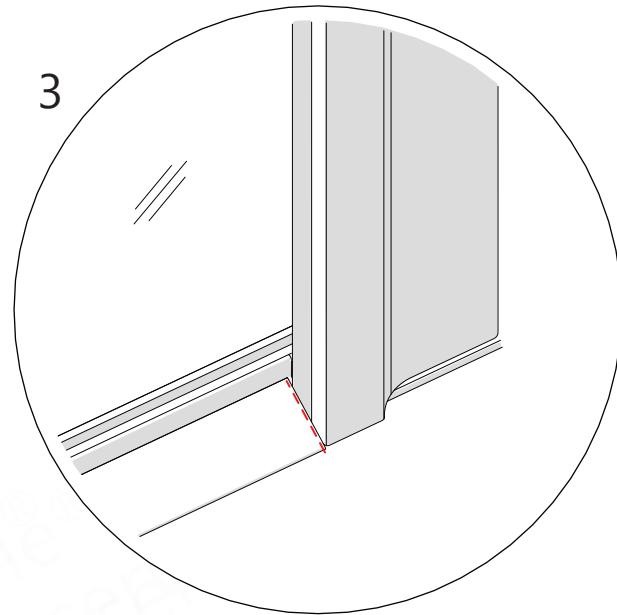
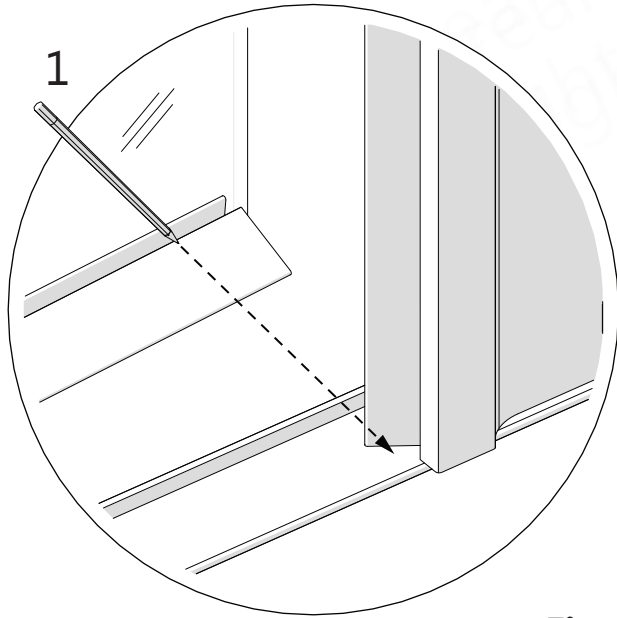
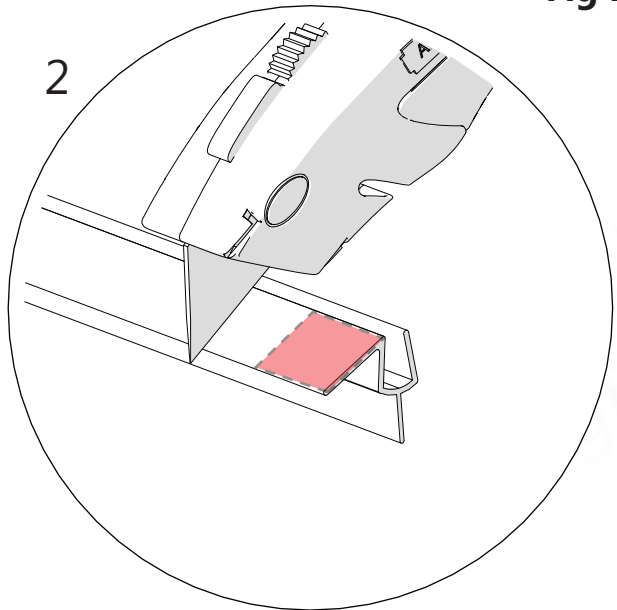
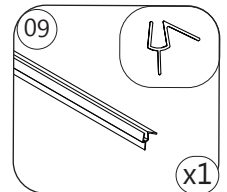


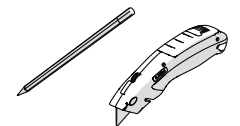
Fig 10



Parts Needed



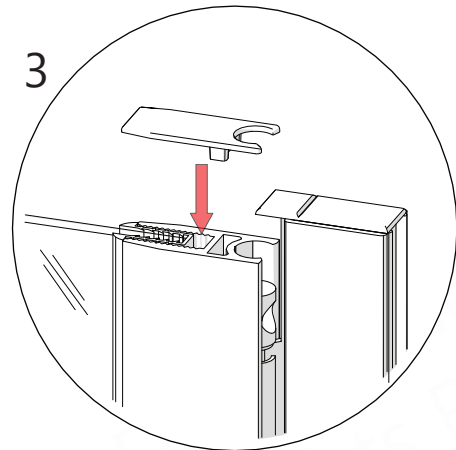
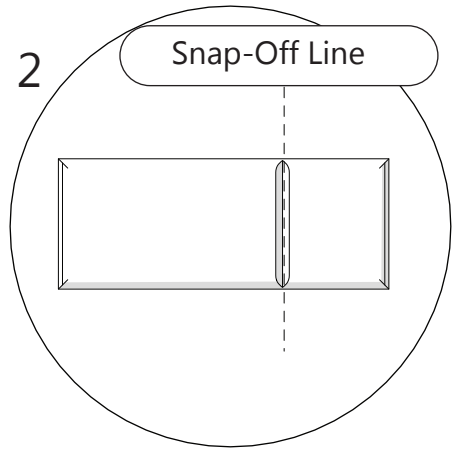
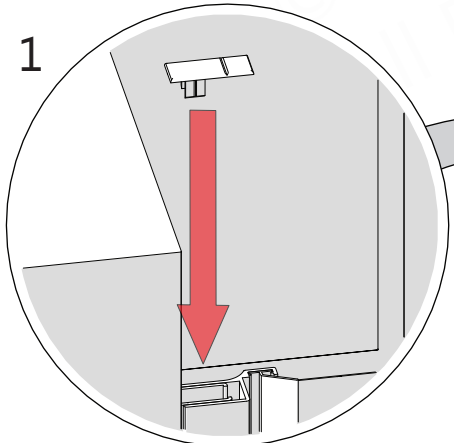
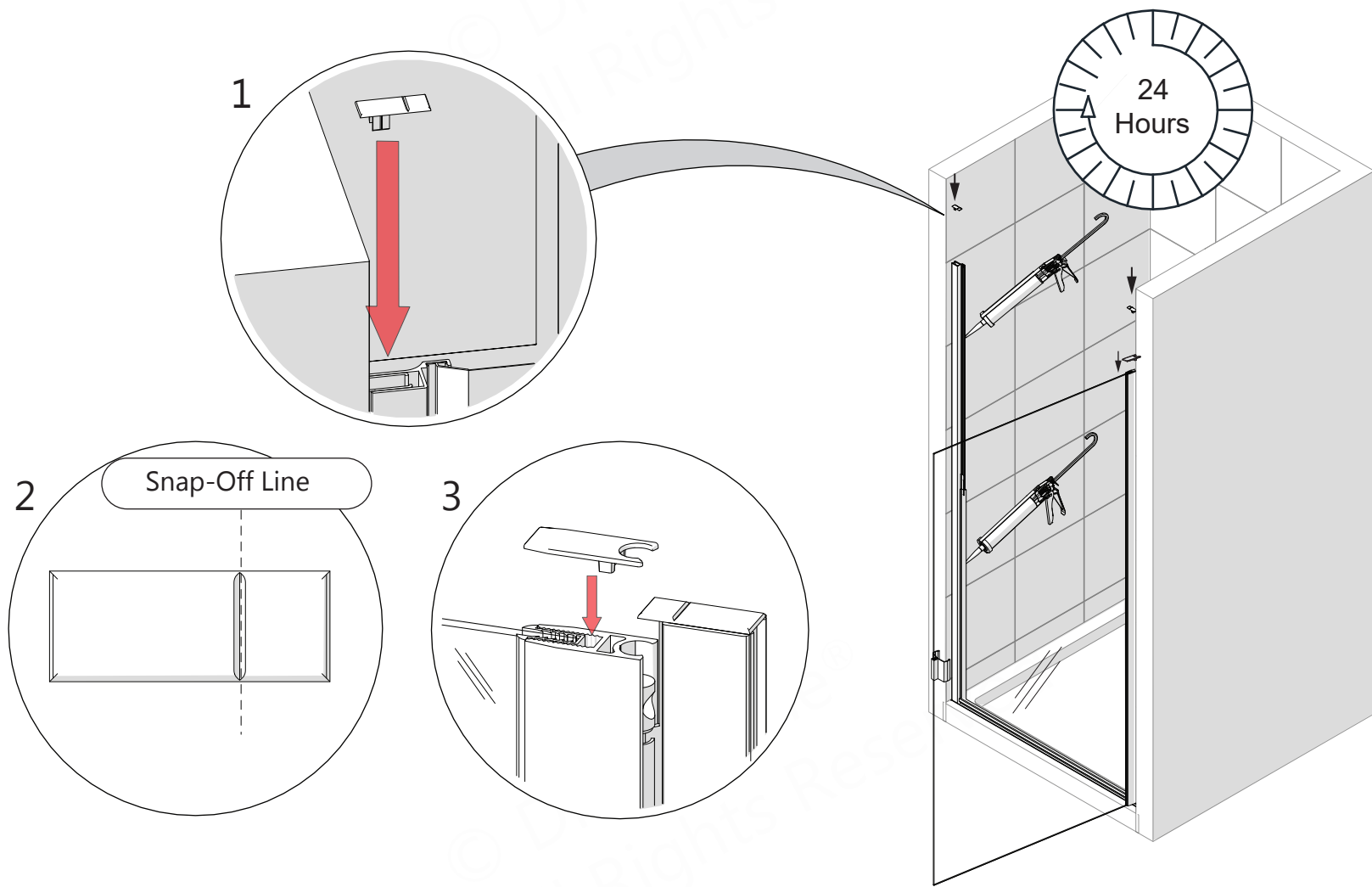
Tools Needed



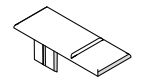
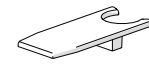
11



The **Profile Clips (#11)** can be re-sized if needed by bending them at the snap-off line. Silicone each one onto the tops of the **Profiles**. Snap the **Profile Top Cap (#12)** into the top of the **Hinge Profile**. **Fig 11.3** Use a good quality, mildew-resistant silicone to seal the entire interior perimeter of the shower door. **Allow 24 hours** for the silicone to cure before using the shower. **Fig 11**



Parts Needed

- (11)  (x2)
- (12)  (x1)

Tools Needed

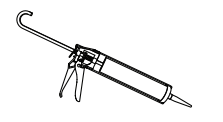


Fig 11

Product Maintenance

BASES and BACKWALLS: To ensure long-lasting life for your acrylic back walls: wipe them off after each use with a soft cloth. To clean the acrylic back walls use non-abrasive sprays or cream based cleaners. Avoid the use of aerosol spray cleaners. Never use abrasive cleansers, metal brushes or scrapers that could permanently scratch or dull the surface.

GLASS: To ensure long-lasting life for your glass shower products: wipe them off after each use with a soft cloth. Rinse and wipe off the glass using either a soft cloth or a squeegee to prevent soap buildup and water spots (Hard water can etch the surface of the glass over time if left to dry). To prevent scratching the surface: never use abrasive cleaners or cleaning products that contain scouring agents. Never use bristle brushes or abrasive sponges that may scratch the surface of the glass.

HARDWARE: To ensure a long-lasting finish: wipe off all metal parts after each use with a soft cloth. Do not use abrasive cleaners or cleaning products containing ammonia, bleach or acid. If accidentally used, rinse the surface as soon as possible to prevent damage to the finish (peeling or corrosion). After cleaning the polished finishes, rinse thoroughly and wipe dry with a soft, clean cloth. Clean stainless steel surfaces at least once a week. When applying stainless steel cleaner or polish to stainless steel hardware, work with the grain (not across the grain). Never use an abrasive sponge or cloth, steel wool or wired brush as these may permanently scratch the surfaces.



To maximize the life of your door, it is important to regularly inspect the glass and other hardware for misalignment, proper attachment, and/or damage. Contact DreamLine® with any questions or concerns.

ALLIANCE SWING BG Maintenance Checklist

- Check that the unit is stable, operates smoothly and that the installation is secure.
- Confirm that all screws/bolts are tight.
- Check door glass for smooth operation.
- Inspect exposed and concealed glass edges for damage (**damaged glass must be replaced!**)
- Inspect silicone caulk for gaps. Replace silicone as necessary to prevent water leakage.

Troubleshooting

Problem/Symptom	Suggested Solution	Page(s)
Missing Parts	<ul style="list-style-type: none"> •Check all shipping/packaging material for missing parts/components. •If not found, contact DreamLine Customer Support [1-866-731-2244] to order factory part replacement. 	5-6
Water Leakage	<ul style="list-style-type: none"> •Check that the Door Glass (#05) meets the strike vinyl evenly and that the magnets on the door and the strike jamb are aligned. •Check that a good quality, mold-resistant silicone has been used around the entire interior perimeter of the shower door. 	12, 13, 17
Door Glass rubbing on threshold	<ul style="list-style-type: none"> •Check that threshold is level. •Check that the Dam Strip (#01) is completely secured to the threshold. •Check that the Sweep Vinyl (#09) is pushed all the way onto the Door Glass. 	3, 7, 15
Door Glass not closing evenly with Strike Jamb (#06) or Handle (#08) and Vinyl (#07) contacting the Wall Profile.	<ul style="list-style-type: none"> •Check that the Strike Jamb (#06) and the Door Glass and Hinge-Side Profile (#05) are secure and haven't shifted. If necessary, remove the ST4.0x 10 mm screws (#10) in the Profiles, adjust (protect the glass edges at all times) and resecure the Profiles. •Check that the Vinyl (#07) and the Handle (#08) are installed correctly and are secure. 	12-14

© DREAMLINE® ALL RIGHTS RESERVED

Factory Parts Information

ALLIANCE SWING BG - HARDWARE		FACTORY PARTS INFORMATION	
ITEM #	FACTORY PART NUMBER	ITEM DESCRIPTION	QTY
01	045210 X 1-0660; 045210 X 1-0686; 045210 X 1-0711; 045210 X 1-0737; 045170 X 1-1749; 045210 X 1-0762; 045210 X 1-0787; 045210 X 1-0813; 045210 X 1-0838; 045210 X 1-0864; 045210 X 1-0889; 045210 X 1-0914; 045210 X 1-0940; 045210 X 1-0965	Dam Strip	1
02	045170 X 1-1622; 045170 X 1-1673; 045170 X 1-1749	Wall Profile	2
03	07552148	Wall Anchor	6
04	091106	ST4.0 x 35mm Screw	6
06	220980 X 06; 220980 X 40; 220980 X 42; 220980 X 44; 220980 X 43; 220980 X 45; 220980 X 46; 220980 X 47; 220980 X 48; 220980 X 49; 220980 X 50; 220980 X 51; 220980 X 52; 220980 X 53; 220980 X 54; 220980 X 55; 220980 X 54; 220980 X 55; 220980 X 56; 220980 X 57; 220980 X 58; 220980 X 59	Strike Jamb and Strike Vinyl	1
07	07555179	Handle Vinyl	1
08	0723 X 060	Handle	1
09	063509000-0610; 063509000-0635; 063509000-0660; 063509000-0686; 063509000-0711; 063509000-0737; 063509000-0762; 063509000-0787; 063509000-0813; 063509000-0838; 063509000-0864; 063509000-0889; 063509000-0914	Sweep Vinyl	1
10	091136; 091137	ST4.0 X 10mm Screw	6
11	07050002; 07053002	Door Clip	2
12	07050003; 07053003	Profile Top Cap	1

BOLD ("X") indicates finish:

1 or 8 = Polished SS

4 or 5 or 7 = Brushed SS

6 = Oil Rubbed Bronze

9 = Satin Black

Contact Support@DreamLine.com for Part replacement, installation assistance or additional information.

Complete **Warranty** information is available on DreamLine.com.

Factory Parts Information

ALLIANCE SWING BG - Door Glass and Hinge Profile (1 of 3)	
DreamLine Alliance Swing BG 24 in. W x 66 in. H Semi-Frameless Swing Shower Door in Matte Black and Rain Glass	SDA124W660VRR09
DreamLine Alliance Swing BG 24 in. W x 66 in. H Semi-Frameless Swing Shower Door in Matte Black and Clear Glass	SDA124W660VRX09
DreamLine Alliance Swing BG 25 in. W x 66 in. H Semi-Frameless Swing Shower Door in Matte Black and Clear Glass	SDA125W660VRX09
DreamLine Alliance Swing BG 26 in. W x 66 in. H Semi-Frameless Swing Shower Door in Matte Black and Rain Glass	SDA126W660VRX09
DreamLine Alliance Swing BG 27 in. W x 66 in. H Semi-Frameless Swing Shower Door in Oil Rubbed Bronze and Rain Glass	SDA127W660VRR06
DreamLine Alliance Swing BG 27 in. W x 66 in. H Semi-Frameless Swing Shower Door in Oil Rubbed Bronze and Clear Glass	SDA127W660VRX06
DreamLine Alliance Swing BG 27 in. W x 66 in. H Semi-Frameless Swing Shower Door in Matte Black and Rain Glass	SDA127W660VRX09
DreamLine Alliance Swing BG 27 in. W x 69 in. H Semi-Frameless Swing Shower Door in Brushed Nickel and Rain Glass	SDA127W690VRR04
DreamLine Alliance Swing BG 27 in. W x 69 in. H Semi-Frameless Swing Shower Door in Oil Rubbed Bronze and Rain Glass	SDA127W690VRR06
DreamLine Alliance Swing BG 27 in. W x 69 in. H Semi-Frameless Swing Shower Door in Brushed Nickel and Clear Glass	SDA127W690VRX04
DreamLine Alliance Swing BG 27 in. W x 69 in. H Semi-Frameless Swing Shower Door in Oil Rubbed Bronze and Clear Glass	SDA127W690VRX06
DreamLine Alliance Swing BG 28 in. W x 66 in. H Semi-Frameless Swing Shower Door in Oil Rubbed Bronze and Rain Glass	SDA128W660VRR06
DreamLine Alliance Swing BG 28 in. W x 66 in. H Semi-Frameless Swing Shower Door in Oil Rubbed Bronze and Clear Glass	SDA128W660VRX06
DreamLine Alliance Swing BG 28 in. W x 66 in. H Semi-Frameless Swing Shower Door in Matte Black and Clear Glass	SDA128W660VRX09
DreamLine Alliance Swing BG 29 in. W x 66 in. H Semi-Frameless Swing Shower Door in Oil Rubbed Bronze and Rain Glass	SDA129W660VRR06
DreamLine Alliance Swing BG 29 in. W x 66 in. H Semi-Frameless Swing Shower Door in Oil Rubbed Bronze and Clear Glass	SDA129W660VRX06
DreamLine Alliance Swing BG 29 in. W x 66 in. H Semi-Frameless Swing Shower Door in Matte Black and Clear Glass	SDA129W660VRX09
DreamLine Alliance Swing BG 30 in. W x 66 in. H Semi-Frameless Swing Shower Door in Oil Rubbed Bronze and Rain Glass	SDA130W660VRR06
DreamLine Alliance Swing BG 30 in. W x 66 in. H Semi-Frameless Swing Shower Door in Matte Black and Rain Glass	SDA130W660VRR09
DreamLine Alliance Swing BG 30 in. W x 66 in. H Semi-Frameless Swing Shower Door in Oil Rubbed Bronze and Clear Glass	SDA130W660VRX06
DreamLine Alliance Swing BG 30 in. W x 66 in. H Semi-Frameless Swing Shower Door in Matte Black and Clear Glass	SDA130W660VRX09
DreamLine Alliance Swing BG 30 in. W x 69 in. H Semi-Frameless Swing Shower Door in Brushed Nickel and Rain Glass	SDA130W690VRR04

Contact **Support@DreamLine.com** for Part replacement, installation assistance or additional information.
Complete **Warranty** information is available on **DreamLine.com**.

Factory Parts Information

ALLIANCE SWING BG - Door Glass and Hinge Profile (2 of 3)	
DreamLine Alliance Swing BG 30 in. W x 69 in. H Semi-Frameless Swing Shower Door in Oil Rubbed Bronze and Rain Glass	SDA130W690VRR06
DreamLine Alliance Swing BG 30 in. W x 69 in. H Semi-Frameless Swing Shower Door in Brushed Nickel and Clear Glass	SDA130W690VRX04
DreamLine Alliance Swing BG 30 in. W x 69 in. H Semi-Frameless Swing Shower Door in Oil Rubbed Bronze and Clear Glass	SDA130W690VRX06
DreamLine Alliance Swing BG 31 in. W x 64 3/8 in. H Semi-Frameless Swing Shower Door in Oil Rubbed Bronze and Rain Glass	SDA131W640VRR06
DreamLine Alliance Swing BG 31 in. W x 64 3/8 in. H Semi-Frameless Swing Shower Door in Oil Rubbed Bronze and Clear Glass	SDA131W640VRX06
DreamLine Alliance Swing BG 31 in. W x 66 in. H Semi-Frameless Swing Shower Door in Oil Rubbed Bronze and Rain Glass	SDA131W660VRR06
DreamLine Alliance Swing BG 31 in. W x 66 in. H Semi-Frameless Swing Shower Door in Oil Rubbed Bronze and Clear Glass	SDA131W660VRX06
DreamLine Alliance Swing BG 31 in. W x 66 in. H Semi-Frameless Swing Shower Door in Matte Black and Clear Glass	SDA131W660VRX09
DreamLine Alliance Swing BG 31 in. W x 69 in. H Semi-Frameless Swing Shower Door in Brushed Nickel and Rain Glass	SDA131W690VRR04
DreamLine Alliance Swing BG 31 in. W x 69 in. H Semi-Frameless Swing Shower Door in Oil Rubbed Bronze and Rain Glass	SDA131W690VRR06
DreamLine Alliance Swing BG 31 in. W x 69 in. H Semi-Frameless Swing Shower Door in Brushed Nickel and Clear Glass	SDA131W690VRX04
DreamLine Alliance Swing BG 31 in. W x 69 in. H Semi-Frameless Swing Shower Door in Oil Rubbed Bronze and Clear Glass	SDA131W690VRX06
DreamLine Alliance Swing BG 32 in. W x 64 3/8 in. H Semi-Frameless Swing Shower Door in Oil Rubbed Bronze and Rain Glass	SDA132W640VRR06
DreamLine Alliance Swing BG 32 in. W x 64 3/8 in. H Semi-Frameless Swing Shower Door in Oil Rubbed Bronze and Clear Glass	SDA132W640VRX06
DreamLine Alliance Swing BG 32 in. W x 66 in. H Semi-Frameless Swing Shower Door in Brushed Nickel and Clear Glass	SDA132W660VRX04
DreamLine Alliance Swing BG 33 in. W x 66 in. H Semi-Frameless Swing Shower Door in Oil Rubbed Bronze and Rain Glass	SDA133W660VRR06
DreamLine Alliance Swing BG 33 in. W x 66 in. H Semi-Frameless Swing Shower Door in Matte Black and Rain Glass	SDA133W660VRR09
DreamLine Alliance Swing BG 33 in. W x 66 in. H Semi-Frameless Swing Shower Door in Brushed Nickel and Clear Glass	SDA133W660VRX04
DreamLine Alliance Swing BG 33 in. W x 66 in. H Semi-Frameless Swing Shower Door in Oil Rubbed Bronze and Clear Glass	SDA133W660VRX06
DreamLine Alliance Swing BG 33 in. W x 66 in. H Semi-Frameless Swing Shower Door in Matte Black and Clear Glass	SDA133W660VRX09
DreamLine Alliance Swing BG 33 in. W x 69 in. H Semi-Frameless Swing Shower Door in Chrome and Rain Glass	SDA133W690VRR01
DreamLine Alliance Swing BG 33 in. W x 69 in. H Semi-Frameless Swing Shower Door in Brushed Nickel and Rain Glass	SDA133W690VRR04
DreamLine Alliance Swing BG 33 in. W x 69 in. H Semi-Frameless Swing Shower Door in Oil Rubbed Bronze and Rain Glass	SDA133W690VRR06
DreamLine Alliance Swing BG 33 in. W x 69 in. H Semi-Frameless Swing Shower Door in Matte Black and Rain Glass	SDA133W690VRR09

Contact **Support@DreamLine.com** for Part replacement, installation assistance or additional information.

Complete **Warranty** information is available on **DreamLine.com**.

Factory Parts Information

ALLIANCE SWING BG - Door Glass and Hinge Profile (3 of 3)	
DreamLine Alliance Swing BG 33 in. W x 69 in. H Semi-Frameless Swing Shower Door in Chrome and Clear Glass	SDA133W690VRX01
DreamLine Alliance Swing BG 33 in. W x 69 in. H Semi-Frameless Swing Shower Door in Brushed Nickel and Clear Glass	SDA133W690VRX04
DreamLine Alliance Swing BG 33 in. W x 69 in. H Semi-Frameless Swing Shower Door in Oil Rubbed Bronze and Clear Glass	SDA133W690VRX06
DreamLine Alliance Swing BG 34 in. W x 66 in. H Semi-Frameless Swing Shower Door in Brushed Nickel and Rain Glass	SDA134W660VRR04
DreamLine Alliance Swing BG 34 in. W x 66 in. H Semi-Frameless Swing Shower Door in Oil Rubbed Bronze and Rain Glass	SDA134W660VRR06
DreamLine Alliance Swing BG 34 in. W x 66 in. H Semi-Frameless Swing Shower Door in Brushed Nickel and Clear Glass	SDA134W660VRX04
DreamLine Alliance Swing BG 34 in. W x 66 in. H Semi-Frameless Swing Shower Door in Oil Rubbed Bronze and Clear Glass	SDA134W660VRX06
DreamLine Alliance Swing BG 34 in. W x 66 in. H Semi-Frameless Swing Shower Door in Matte Black and Clear Glass	SDA134W660VRX09
DreamLine Alliance Swing BG 35 in. W x 66 in. H Semi-Frameless Swing Shower Door in Brushed Nickel and Rain Glass	SDA135W660VRR04
DreamLine Alliance Swing BG 35 in. W x 66 in. H Semi-Frameless Swing Shower Door in Oil Rubbed Bronze and Rain Glass	SDA135W660VRR06
DreamLine Alliance Swing BG 35 in. W x 66 in. H Semi-Frameless Swing Shower Door in Brushed Nickel and Clear Glass	SDA135W660VRX04
DreamLine Alliance Swing BG 35 in. W x 66 in. H Semi-Frameless Swing Shower Door in Oil Rubbed Bronze and Clear Glass	SDA135W660VRX06
DreamLine Alliance Swing BG 35 in. W x 66 in. H Semi-Frameless Swing Shower Door in Matte Black and Clear Glass	SDA135W660VRX09
DreamLine Alliance Swing BG 36 in. W x 66 in. H Semi-Frameless Swing Shower Door in Brushed Nickel and Rain Glass	SDA136W660VRR04
DreamLine Alliance Swing BG 36 in. W x 66 in. H Semi-Frameless Swing Shower Door in Oil Rubbed Bronze and Rain Glass	SDA136W660VRR06
DreamLine Alliance Swing BG 36 in. W x 66 in. H Semi-Frameless Swing Shower Door in Brushed Nickel and Clear Glass	SDA136W660VRX04
DreamLine Alliance Swing BG 36 in. W x 66 in. H Semi-Frameless Swing Shower Door in Oil Rubbed Bronze and Clear Glass	SDA136W660VRX06
DreamLine Alliance Swing BG 36 in. W x 66 in. H Semi-Frameless Swing Shower Door in Matte Black and Clear Glass	SDA136W660VRX09
DreamLine Alliance Swing BG 36 in. W x 69 in. H Semi-Frameless Swing Shower Door in Chrome and Rain Glass	SDA136W690VRR01
DreamLine Alliance Swing BG 36 in. W x 69 in. H Semi-Frameless Swing Shower Door in Brushed Nickel and Rain Glass	SDA136W690VRR04
DreamLine Alliance Swing BG 36 in. W x 69 in. H Semi-Frameless Swing Shower Door in Oil Rubbed Bronze and Rain Glass	SDA136W690VRR06
DreamLine Alliance Swing BG 36 in. W x 69 in. H Semi-Frameless Swing Shower Door in Chrome and Clear Glass	SDA136W690VRX01
DreamLine Alliance Swing BG 36 in. W x 69 in. H Semi-Frameless Swing Shower Door in Brushed Nickel and Clear Glass	SDA136W690VRX04
DreamLine Alliance Swing BG 36 in. W x 69 in. H Semi-Frameless Swing Shower Door in Oil Rubbed Bronze and Clear Glass	SDA136W690VRX06

Contact **Support@DreamLine.com** for Part replacement, installation assistance or additional information.
Complete **Warranty** information is available on **DreamLine.com**.

NOTES

© DreamLine®
All Rights Reserved

© DreamLine®
All Rights Reserved

NOTES

© DreamLine®
All Rights Reserved

© DreamLine®
All Rights Reserved



TEL: 866-731-2244
FAX: 866-857-3638
DREAMLINE.COM



For more information on DreamLine® Shower Doors and Enclosures please visit **DreamLine.com**