

### SPECIFICATIONS

#### Features/Benefits



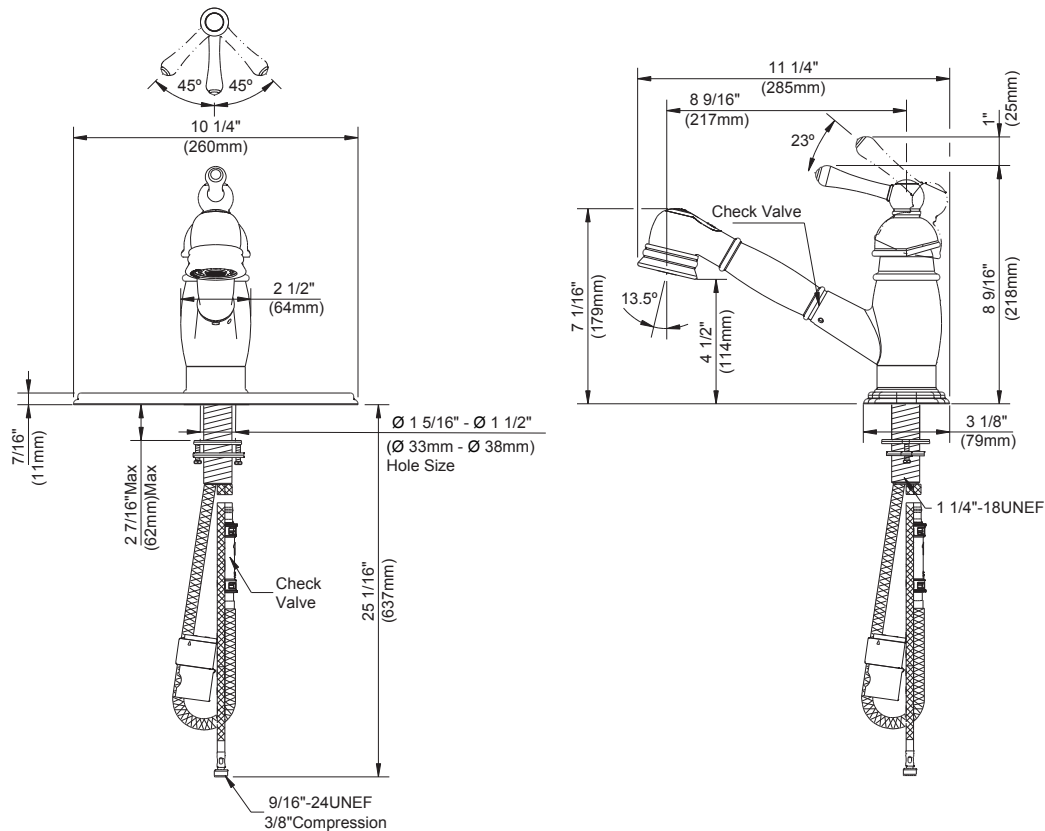
- SnapBack® Retraction System
- Easily Adjustable GripLock® Weight
- 7 1/16" Spout Height, 8 9/16" Spout Reach
- 1.75 gpm (6.6 L/min) When Used with DA52316754N Spray Head
- Alternative Flow Rates Available with Spray / Aerated Water Stream
  - 1.5 gpm (5.7 L/min) When Used with DA52316755N Spray Head
- 2 Function Spray/Aerated Stream
- Ceramic Disc Cartridge
- 120 Degree Swivel Spout
- Single Hole Installation
- Optional Deck Plate Included

#### Available Color/Finishes

Chrome

Please see [gerberonline.com](http://gerberonline.com) or current price list for available finishes. Finish is defined by additional suffix.

#### Standards & Certifications



#### Submittal Information:

Name: \_\_\_\_\_  
Location: \_\_\_\_\_

Contractor: \_\_\_\_\_  
Contact #: \_\_\_\_\_