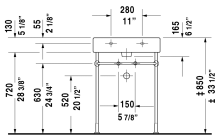
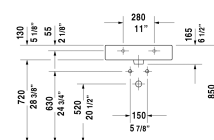
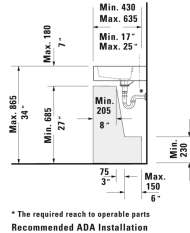
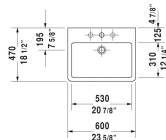


Vero Furniture washbasin ♿ # 0454600000 / 0454600030

< 23 5/8" Inch >



Furniture washbasin	Dimension	Weight	Order number
with faucet deck, underside fully glazed, hardware included, wall-mounted, cUPC® listed*, 23 5/8" Inch			
<b>Colors</b>			
00 White			
<b>Variant</b>			
● with overflow	23 5/8" x 18 1/4" Inch	39.5 lb	0454600000
●●● with overflow	23 5/8" x 18 1/4" Inch	39.5 lb	0454600030
<b>Infobox</b>			
* Complies with following standards: ASME A112.19.2/CSA B45.1, Washbasin is not ADA compliant in combination with pedestal, siphon cover or metal console			
Sanitary ceramics with the special WonderGliss surface finish will remain clean and attractive-looking for a long time to come. When ordering WonderGliss please add a "1" as eleventh digit to the model number.			
<b>Accessory for ceramics</b>			
Push button drain assembly for washbasins with overflow	2" Inch	0.8 lb	005052
Towel rail square tube 1/2", Chrome, for washbasin # 045460, 235060, 235360, 235660, 236860	21 5/8" Inch	0.8 lb	003037
Design Siphon		3.3 lb	005036
<b>Suitable products</b>			
Metal console height adjustable +2", for washbasin # 045460, 235060,			003063

Vero Furniture washbasin  # 0454600000 / 0454600030

---

|< 23 5/8" Inch >|

*All drawings contain the necessary measurements which are subject to standard tolerances. They are stated in inch & mm and are non-binding. Exact measurements, in particular for customized installation scenarios, can only be taken from the finished ceramic piece.*



---

**Installation instructions**

Wall Mounted Sink



Important information

4



Installation

10



## About these instructions

These mounting instructions come as part of the Duravit product and are to be read carefully prior to the installation.

## Target readership and qualifications

This is a professional grade product. A working knowledge of construction techniques and code compliant plumbing installation are required for proper installation and user satisfaction. The product must be installed by a licensed plumber.

## Explanation of the signal words and symbols

### NOTE!

To avoid property damage



Link to the **mounting instructions** in this section



Inspection (e.g. for scratches)



Check for leaks and leak-tightness



Indication of the length of time (e.g. 10 minutes)

## Safety instructions

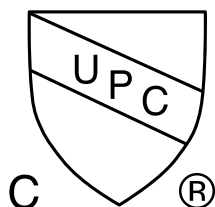
### Product and/or property damage

The breach of local and country-specific regulations and standards can cause damage to the product and/or property damage.

> Observe the local installation regulations and any country-specific standards at all times.

### Prior to installation

Please read the specifications sheets prior to installation. Specification sheets are available for download at [www.pro.duravit.us](http://www.pro.duravit.us).

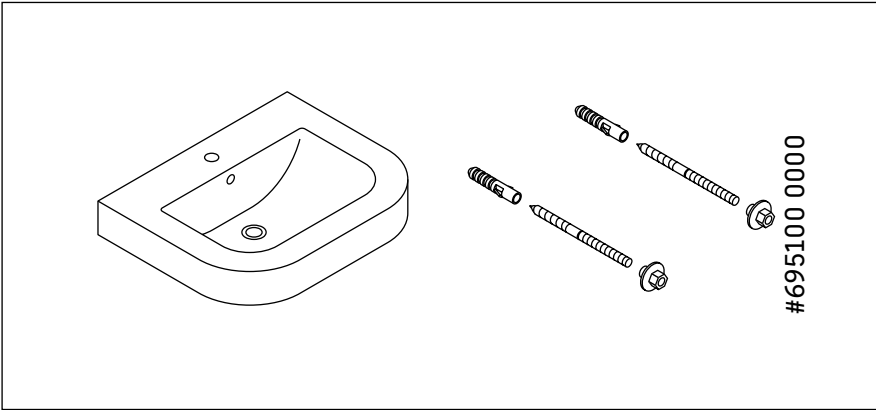


### Products are in compliance with the following codes:

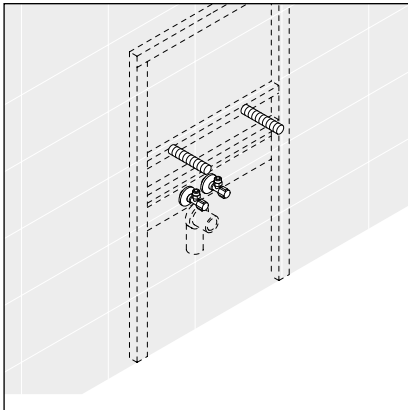
- Uniform Plumbing Code (UPC®)
- National Plumbing Code of Canada
- Following standards: ASME A112.19.2/CSA B45.1



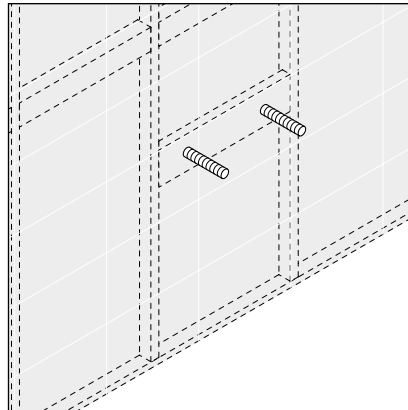
**Delivery contents**



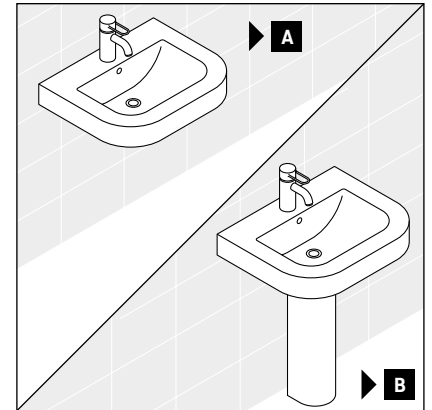
The sink will include mounting hardware model # 695100 0000.  
 The plastic anchors provided are for concrete wall applications. For wood stud walls, the lag bolts should be screwed into the wood backing.



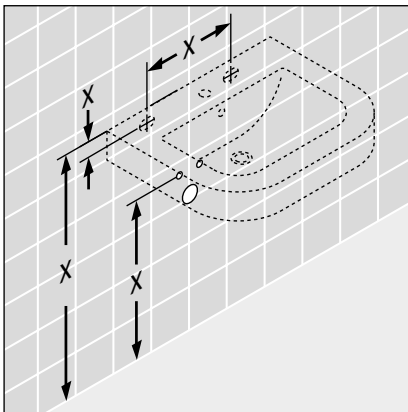
When mounting the sink on a pre-wall carrier, install the mounting bolts to the element.



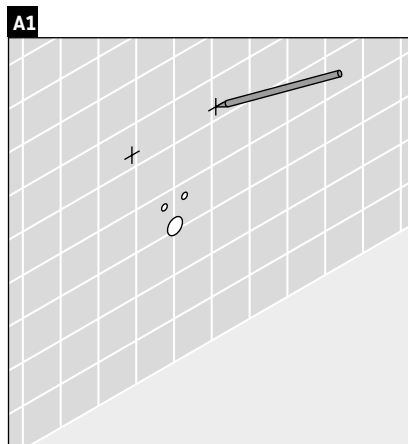
When mounting the sink into a wood stud wall, there must be adequate bracing. We recommend doubling up 2x6's or 2x8's between the studs to form a solid anchoring point. Reference the sink specification sheet to establish the height and the spacing of the mounting bolts.



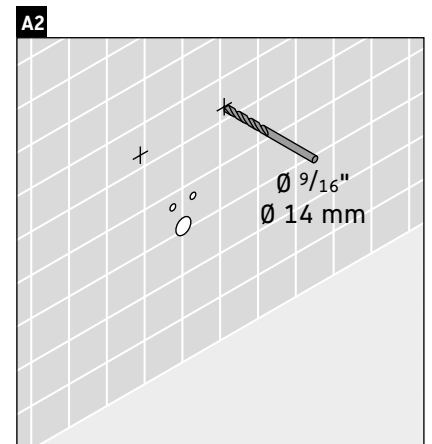
Sink  
 > Continue with mounting A  
 Sink with pedestal  
 > Continue with mounting B



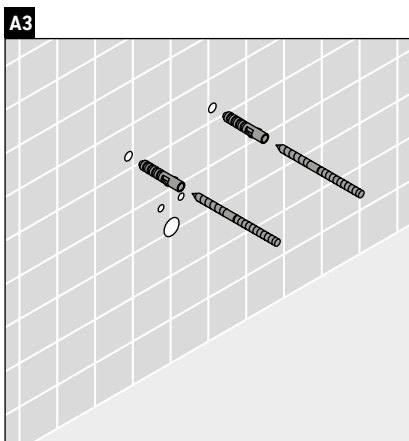
The sink specification sheet will provide the recommended mounting height and show the location of the mounting holes. (The height can be adjusted to your personal preference)



> Mark the location of the mounting holes.

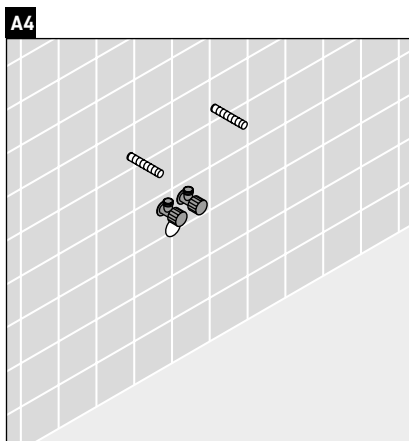


> Using the appropriate bit for the wall material, drill pilot holes.

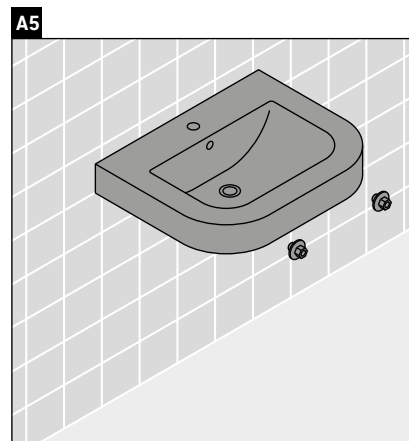


Please note if the sink will be mounted on a concrete wall application, anchors must be used.

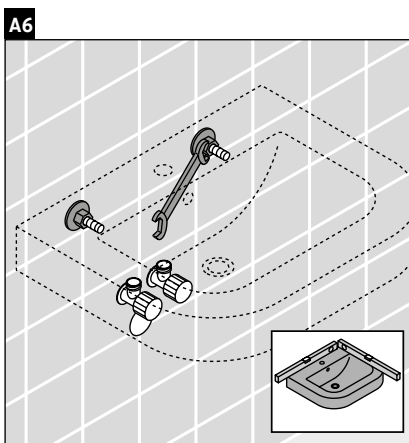
- > Screw mounting bolts into the pre-drilled holes with an adjustable wrench.
- > Screw in the full length of the mounting bolt, so the lag thread is no longer visible.



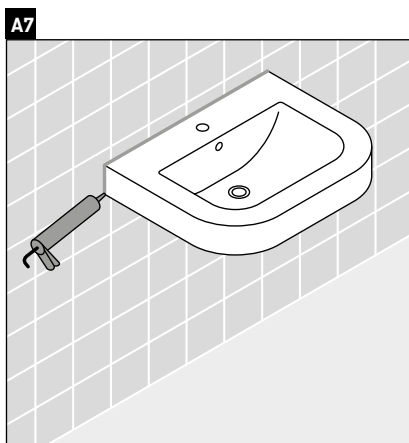
> Install shut off valves according to manufacturer's installation instructions.



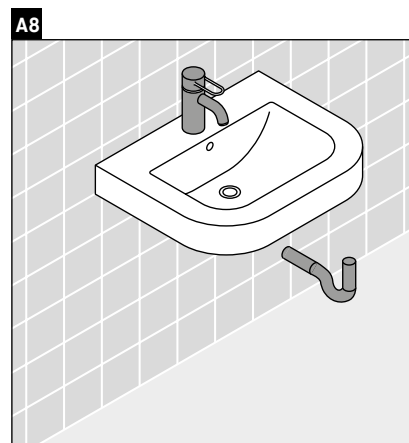
- > Carefully slide sink onto the mounting bolts.
- > Insert white plastic sleeve over the bolt and into the hole of the sink.
- > Install provided washer and nut.
- > Hand tighten the nut so the sink is secure.



- > Leveling the sink: the white plastic sleeves protect the china from the metal bolt and allow for slight adjustment in the height of the sink to level it.



- > Apply silicone around sink edges.

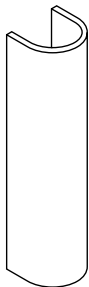
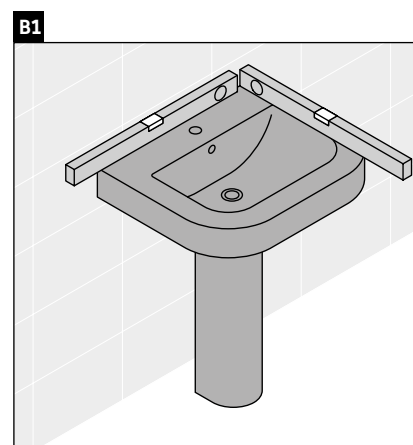


- > Install faucet and p-trap assembly according to manufacturer's installation instructions.





\*  
 #085810..., #085824..., #085827...,  
 #085829..., #085833..., #085836...,  
 #085839..., #086327..., #086330...,  
 #086341..., #086386..., #086398...,  
 #086502..., #086516..., #262200...,  
 #085770..., #086321..., #086320...,  
 #086308..., #085791..., #085790...,  
 #085842....

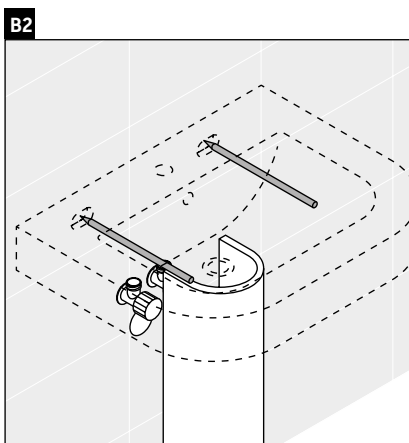
- > Set sink on pedestal leg carefully, then using a level, properly align the sink.

Pedestal

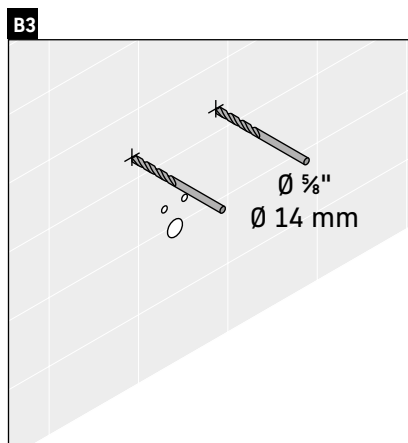
**Note!**

Pedestal may only be installed with corresponding listed sink.

- > Scan QR Code on packaging label or visit the webaddress [qr.duravit.com/"artlicnumber"](http://qr.duravit.com/) to get listed sink.



- > Mark the location of the mounting holes.
- > Mark the location of the back edge where the sink meets the wall.

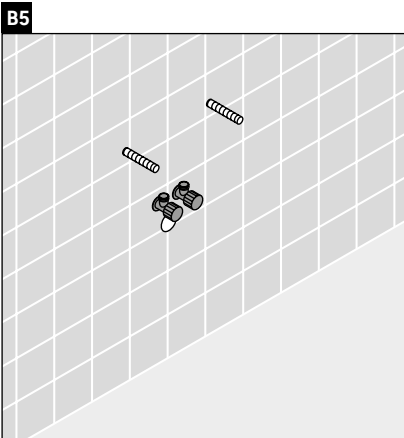


- > Using the appropriate bit for the wall material, drill pilot holes.

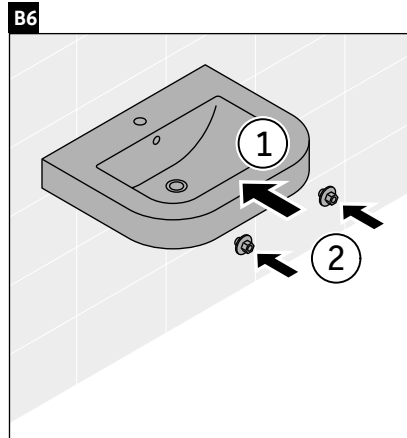


Please note if the sink will be mounted on a concrete wall application, anchors must be used.

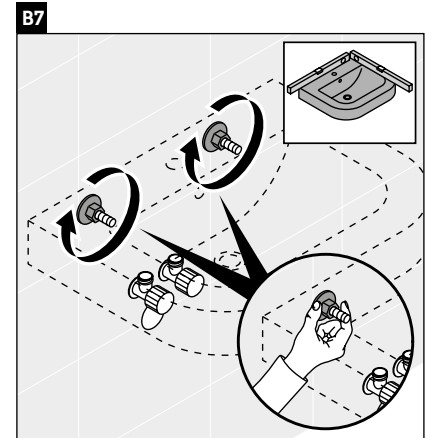
- > Screw mounting bolts into the pre-drilled holes with an adjustable wrench.
- > Screw in the full length of the mounting bolt, so the lag thread is no longer visible.



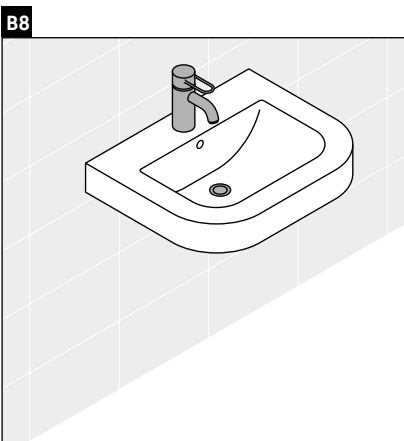
- > Install shut off valves according to manufacturer's installation instructions.



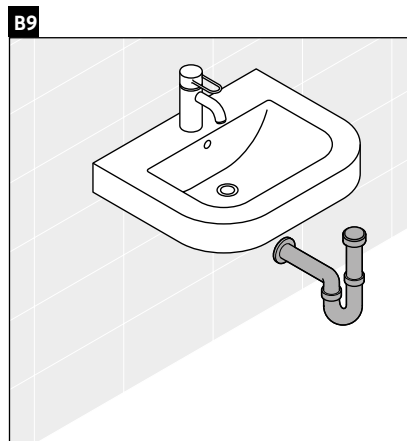
- > Carefully slide sink onto the mounting bolts.
- > Insert white plastic sleeve over the bolt and into the hole of the sink.
- > Install provided washer and nut.
- > Hand tighten the nut so the sink is secure.



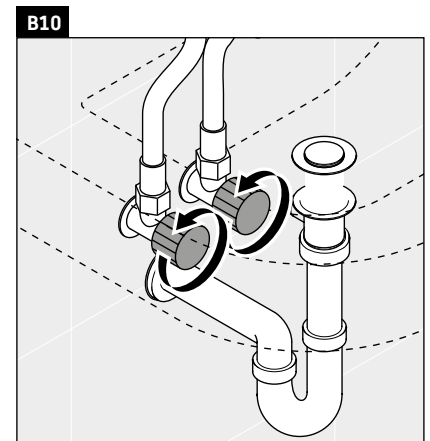
- > Leveling the sink: the white plastic sleeves protect the china from the metal bolt and allow for slight adjustment in the height of the sink to level it.



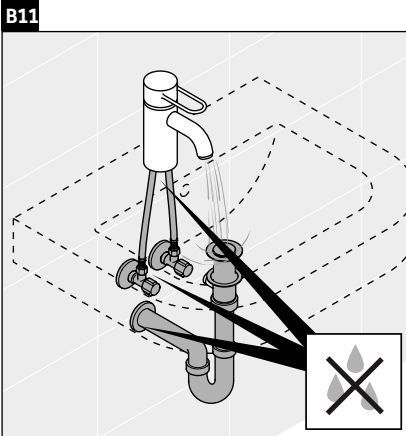
- > Install the faucet according to the corresponding installation instructions.



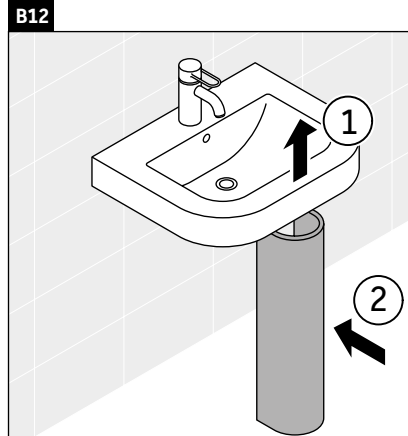
- > Install the p-trap according to the corresponding installation instructions.



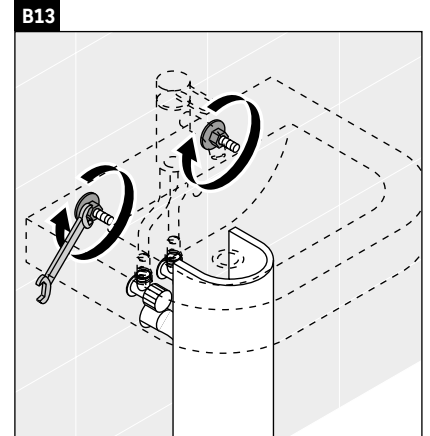
- > Turn on shut off valves to test water flow to faucet and flush valve.



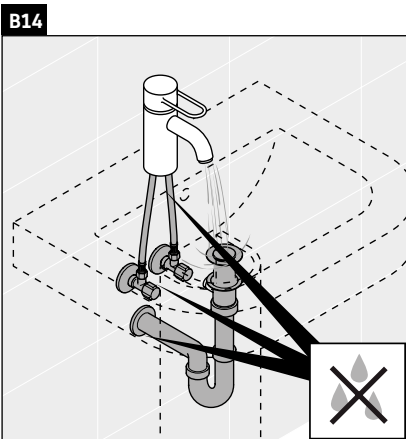
- > Test faucet and flush valve to ensure there are no leaks.



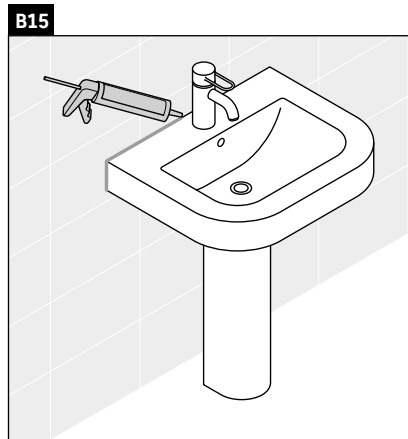
- > Gently lift the front of the sink to allow pedestal to slide underneath. Slightly loosen mounting if needed to allow for safe lift of basin lip.



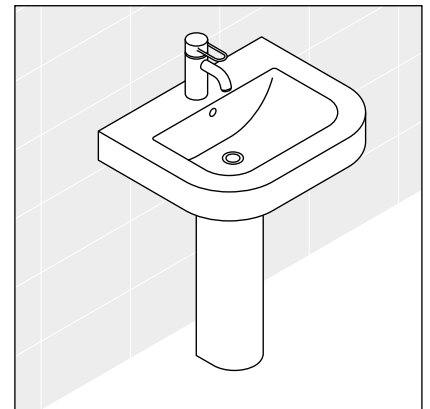
- > Tighten mounting bolts with wrench to secure. Inspect and adjust for proper level.
- > Sink should sit snug upon pedestal base.



- > Test faucet and flush valve to ensure there are no leaks.



- > Apply silicone around sink edges.



**DURAVIT USA, INC.**  
2635 North Berkeley Lake Rd., Ste. 100  
Duluth, GA 30096  
Toll Free 888-DURAVIT  
Phone 770-931-3575  
Fax 770-931-8454  
info@us.duravit.com  
www.duravit.us

