

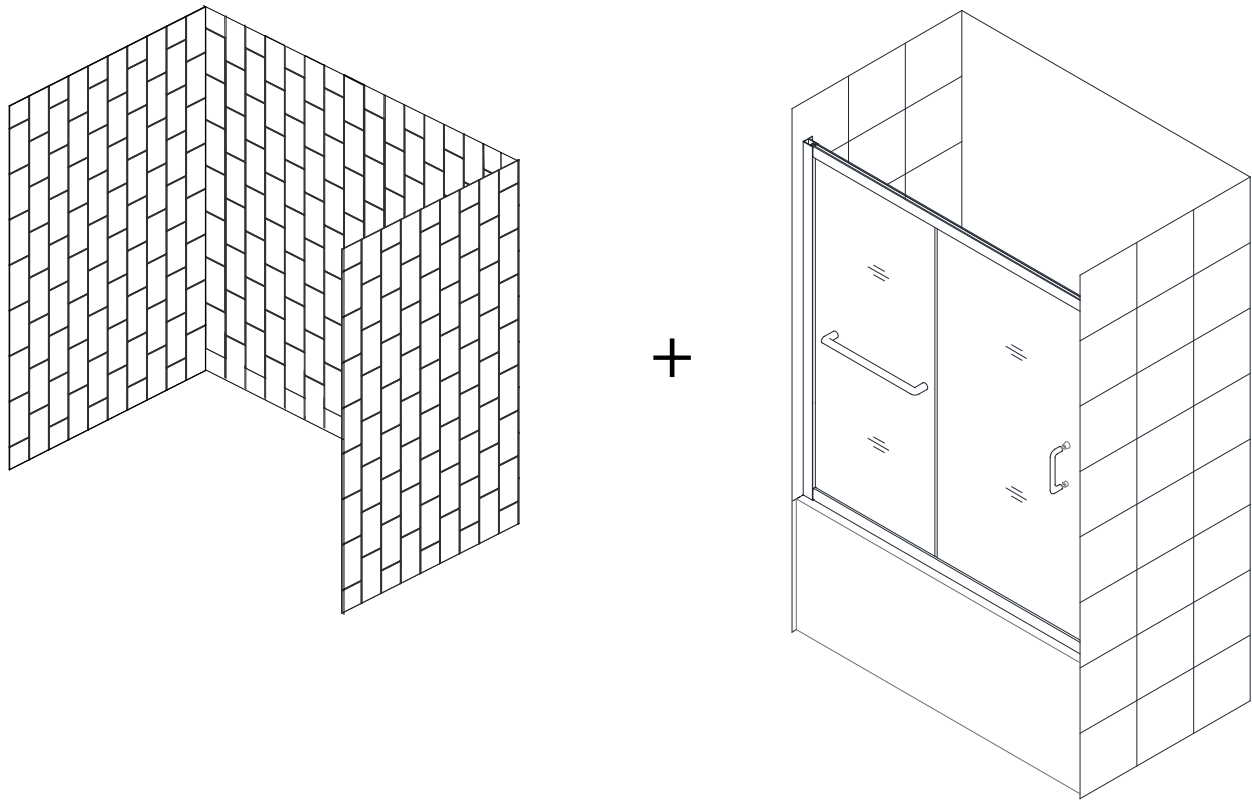
# INFINITY-Z

## TUB DOOR AND BACKWALL INSTALLATION INSTRUCTIONS

PLEASE REVIEW THIS ENTIRE MANUAL PRIOR TO INSTALLATION

### IMPORTANT

DreamLine<sup>®</sup> reserves the right to alter, modify or redesign products at any time without prior notice for the purpose of product improvement and customer experience. Please refer to the model's web page on **DreamLine.com** for the latest technical drawings, installation manuals, warranty information or additional product details.



ETAPE 1: [Tub Backwall Installation Instructions](#)

ETAPE 2: [Tub Door Installation Instructions](#)

**Do Not Return Product to the Store. Contact DreamLine<sup>®</sup> with any questions**



**Questions?**

Please Call **DreamLine** Customer Support: **1-866-731-2244**  
Hours of Operation M-F 8AM - 6PM EST

**Support@DreamLine.com**

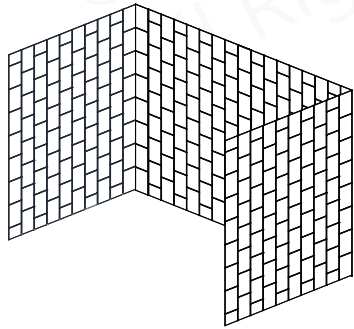


# Q-WALLS

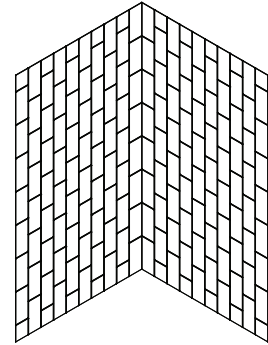
## SHOWER BACKWALL INSTALLATION INSTRUCTIONS

PLEASE REVIEW THIS ENTIRE MANUAL PRIOR TO INSTALLATION

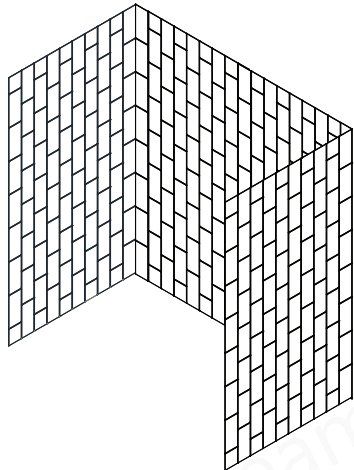
SHBW-1560620-##



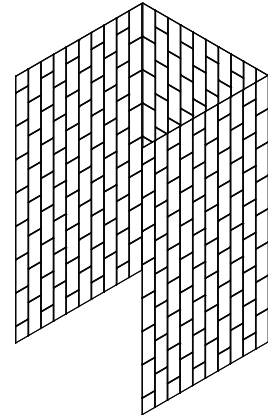
SHBW-1541760-##



SHBW-1548760-##  
SHBW-1554760-##  
SHBW-1560760-##



SHBW-1532760-##  
SHBW-1536760-##



Vertical Subway pattern  
shown as an example

## Finish  
00 = White  
22 = Biscuit  
88 = Black

### IMPORTANT!

DreamLine<sup>®</sup> reserves the right to alter, modify or redesign products at any time without prior notice for the purpose of product improvement and customer experience. Please refer to the model's web page on [DreamLine.com](http://DreamLine.com) for the latest technical drawings, installation manuals, warranty information or additional product details.

**Do Not Return Product to the Store. Contact DreamLine<sup>®</sup> with any questions**



**Questions?**

Please Call **DreamLine Customer Support: 1-866-731-2244**  
Hours of Operation M-F 8AM - 6PM EST






**Support@DreamLine.com**



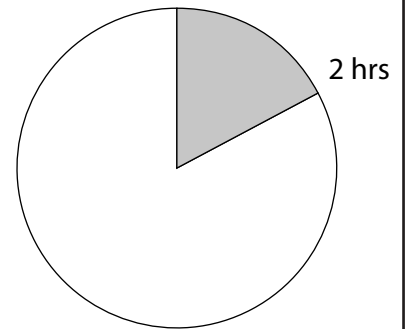
# Table of Contents

Section Title	Page #
Important Product Information	2
Model-Specific Information	3
Tools	4
Q-Wall model Configurations	5
J-Strip Installation	6
Detailed Diagrams of Q-Wall Components (4 configurations)	7-10
Parts List	11
Installation Steps	12-24
Installation of Other Configurations	24
Factory Parts Information	26-29

## Symbol Legend

	<b>TIP</b> - for ease of installation.		<b>CORRECT</b> - recommended.
	<b>NOTE</b> - take note of special feature; additional information.		<b>INCORRECT</b> - not recommended.
	<b>REQUIRED</b> - requires special attention; signifies a warning.		

Average Installation Time



Record the following purchase information for your records or in the event you need to contact DreamLine®:

Purchase Order Number \_\_\_\_\_

Store/Vendor Purchased From \_\_\_\_\_

Installation Date \_\_\_\_\_

OD Number (optional) \_\_\_\_\_  
\*found on the shipping box or label if available.

Installed By: \_\_\_\_\_

SKU Number \_\_\_\_\_



**IMPORTANT**

- DreamLine® reserves the right to alter, modify or redesign products any time without prior notice for product improvement and customer experience. Please refer to the model's web page on [DreamLine.com](http://DreamLine.com) for the latest technical drawings, installation manuals, warranty information or additional product details.
- This product should be installed by someone familiar with the construction requirements for this type of project and the care necessary for the safe installation and operation of the product.
- The safety of any installation is the responsibility of the installer.
- Professional installation recommended. (*All Models*)
- Professional installation required. (*Enigma Series*)
- To prevent damage or serious injury, Do Not lean against the installed panel/door/glass.
- To prevent damage or serious injury: Do Not attempt to lift or move a heavy lite of glass alone. Use an assistant and/or a professional grade glass suction cup.
- The installation of some models may require drilling down into the threshold. Contact the manufacturer of the base, tub, or threshold material with any questions regarding the drilling of holes into their product.
- All drawings in this installation manual are for illustrative purposes only and are not drawn to scale.

**TEMPERED GLASS WARNING**

- Your Shower Door Glass Could Shatter Without Warning if Improperly Installed or Mishandled
- Do Not install or operate a shower door if the glass has chipped corners, slivered edges or is otherwise damaged and/or has been dropped or banged into a hard surface such as tile, marble or glass.
- **The main causes of tempered glass breakage are:**
  - Improper handling, storage or installation
  - Misuse/abuse
  - Lack of maintenance
  - Failure to replace damaged glass
  - **Improper handling during storage, unpacking and installation:**
  - Corners and edges are the most susceptible area to damage on a lite of tempered glass and should be protected and handled with care during storage, unpacking, installation and operation. A concentrated point of pressure or impact with a surface harder than itself may cause the tempered glass to shatter. The tempered glass may release immediately, within several hours or even days later.
  - **Incorrect installation of door hardware, rollers, hinges, channels, stopper or glass:**
  - Improper installation may include: loose hardware and/or lack of proper gaskets between the hardware and glass. Additionally, improper alignment of guide rails, wall profiles or other hardware during installation or operation may place stress on the glass edges and cause it to break.
  - This product must be installed by a professional and experienced installer familiar with the safe handling of tempered glass.
  - **Improper use of this product:**
  - Aggressively opening or closing the door may cause trauma to the glass, which can lead to breakage. This may occur immediately or hours or even days later.
  - **The shower door hardware and glass should be inspected periodically:**
    - Instruct the homeowner how to perform a periodic inspection of the shower hardware and glass - some minor adjustments may be necessary based upon the use (or misuse) of the shower door. Ensure that the hardware remains tight and that the door alignment and operation are correct. Any adjustments should be made upon discovery to prevent damage to the product.
    - Additional considerations should be given to the installation of frameless tempered glass products in households with young children or an elderly person due to an increased chance of improper handling. In such cases, alternatives such as shower curtains or grab bars should be considered.

**GENERAL PREPARATION**

- After opening all boxes and packages, read this introduction carefully. Check that all the items are included in the package by marking off the components on the "**Detailed Diagram of Product Components**" page. Examine all boxes and packages for shipping damage. If the unit has been damaged, has a finishing defect, or is missing parts; please contact our Customer Support department within 3 business days of the delivery date. **Please note that DreamLine® will not replace any damaged products or missing parts free of charge after 3 business days or if the product has been installed.** Please contact DreamLine® if you have any questions.
- **Please note that you should refer to your local building codes with questions on installation compliance standards. Building and plumbing codes may vary by location, and DreamLine® is not responsible for code compliance standards for your project and will not accept any returns.**
- If this unit is going to be installed in a new construction, install all the required plumbing and drainage before installing the shower. **Use a competent and licensed (if required by local code) plumber for all plumbing installation.**
- Make sure that prior to beginning the installation, the surfaces are leveled and solid and will be able to support the total weight of the unit. Also make sure the walls are at right angles. Irregular installation surface level, radius corners or improper angle of side walls will result in serious problems for your installation. Please note that some adjustments and drilling will be necessary during the installation process.
- Protect all primary surfaces of the product during installation. Never set your glass down directly onto a tile floor. Leave corner protectors in place until it is necessary to remove them. Always use a piece of wood or cardboard to protect the bottom edge and corners of the glass prior to and during installation.
- This unit must be installed upon a finished threshold and against finished walls.
- *DreamLine® shower doors are not designed to be installed into a fiberglass surround due to the radius corners and lack of a solid surface to mount the hardware.*

**WARNING: TO AVOID THE RISK OF DAMAGE OR INJURY:**

- **Follow all recommendations and requirements as shown in the installation instructions.**
- Perform a thorough inspection of the glass and all parts for any damage prior to installation. Any damage to tempered glass can cause breakage. **Do Not install damaged glass!**
- Do Not install or operate a shower or tub door if the glass has chipped corners, slivered edges or is otherwise damaged. Do Not install or operate a shower or tub door that has been dropped or banged into a hard surface such as tile, marble or glass.
- **CAUTION:** Contact with any hard surface can damage tempered glass and cause it to shatter.
- This product uses tempered glass. Glass cannot be cut after it has been tempered. **Do Not attempt to cut tempered glass.**
- DreamLine® Glass Shower doors, Tub doors, Inline panels, and Return panels can shatter due to improper handling or lack of maintenance. Conduct periodic inspections of glass and all parts for possible damage, missing or loose parts.
- Always wear proper safety equipment such as: safety goggles, work gloves and appropriate footwear during the installation process.
- **WARNING. Risk of leakage and/or damage.** Follow all instructions regarding the application of silicone sealant or caulk. Allow 24 hours for the sealant to cure before the initial use of the shower or tub product. Follow the silicone manufacturer's recommendations regarding the use of their product.
- **Thoroughly read these instructions before installing or using this product.**
- **Leave this manual for the end-user of the product.**



This product should be installed by someone familiar with the construction requirements for this type of product and the care necessary for the safe installation and operation of the product.



## Model Specific Preparation

1. Prior to installation, examine all boxes and packages for shipping damage and compare the piece count with the packing slip. After opening all boxes and packages read this introduction carefully. Check that all of the necessary parts are included in the package by checking off the components on the Parts List. If the unit has been damaged, has a finishing defect, or has missing parts, please contact our customer support department within **3 business days** of the delivery date.

**Please note that DreamLine® will not replace any damaged products or missing parts free of charge after 3 business days or if the product has been installed.**

Contact DreamLine® if you have any questions, and please provide an order number, job name or other proof of purchase to help identify the original order.

**2. Please note that you should consult your local building codes with questions on installation compliance standards. Building and plumbing codes may vary by location, and DreamLine™ is not responsible for code compliance standards for your project and will not accept any returns on this basis.**

3. This acrylic wall system is specially designed to be installed over any solid surface. If you are installing the acrylic walls over existing tiles, remove and replace all loose tiles before the installation. If you are installing over existing painted walls, remove all loose paint. Sanding the painted surface can help with adhesion. Note that some cutting and drilling will be necessary during the installation process.

4. Make sure to turn off the water supply, remove faucet, handles or any fixture trims protruding from the wall prior to installation. Remove any soap film and dirt from all wall surfaces using regular household detergent, then wipe dry.

5. If this unit is going to be installed in a new construction, please install all of the required plumbing and drainage before installing the shower. Use a competent and licensed (if required by local code) plumber for all plumbing installation.

6. Side walls must be trimmed to size in most cases (a straight edge and a razor knife or other tool suitable for trimming acrylic). Use a straight edge and score the acrylic wall several times to cut to size.

7. Use an adhesive that is safe to use with acrylic walls, i.e. LN715, LN915 etc. Use caulk to seal around the bottom/ top edges, top corners and around any fixture cutouts.

8. Designed to be installed over backer board, drywall or tile. Not intended for installation on bare studs.

9. Making cutouts for shower fixtures will not void the warranty, however **making cutouts for window openings will void the warranty.**

10. **Professional installation recommended.**

## Tools



**Tip:** Measure the opening before proceeding with the installation to be sure that the correct model size Q-Wall Panels have been ordered.



**Tip:** Prior to installation, cover the shower/tub drain with tape to avoid losing screws or other small parts.



**Tip:** Set screw gun clutch to low torque when installing screws and bolts to avoid stripping the heads.

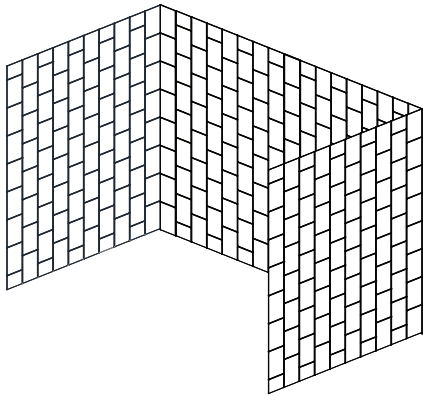
**NOTE:** Unpack your unit carefully and inspect it. Lay it out and identify all parts using the detailed diagram and packing list in this manual as a reference. Before discarding the carton, check for small hardware bags that may have fallen to the bottom of the box. If any parts are damaged or missing, please contact DreamLine® for replacement. The shipping boxes may contain extra parts not used in your model configuration.

**NOTE:** Retain these installation instructions for future reference.

# Q-Wall model Configurations

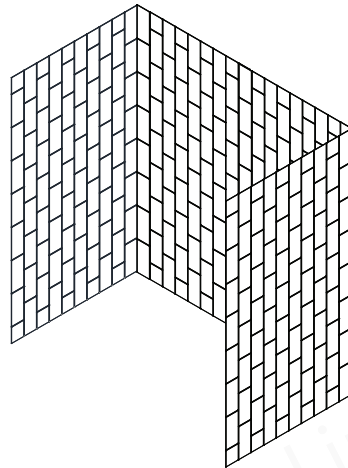
The Installation of this configuration is shown as an example throughout this manual

Tub Height



2 back panels  
2 side panels  
4 J-Strips  
Screws  
anchors

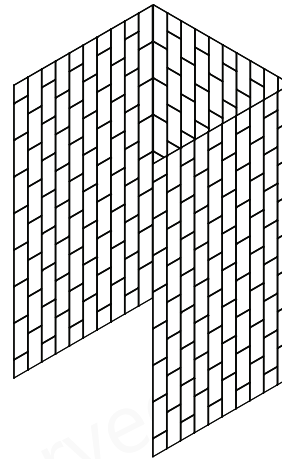
Shower Height  
(Large Alcove)



2 back panels  
2 side panels  
4 J-Strips  
Screws  
anchors

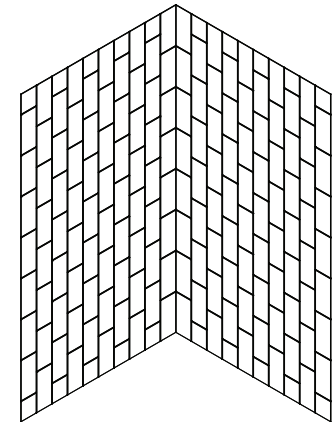
See "Installation of other configurations" on page 24

Shower Height  
(Small Alcove)



3 side panels  
4 J-Strips  
Screws  
anchors

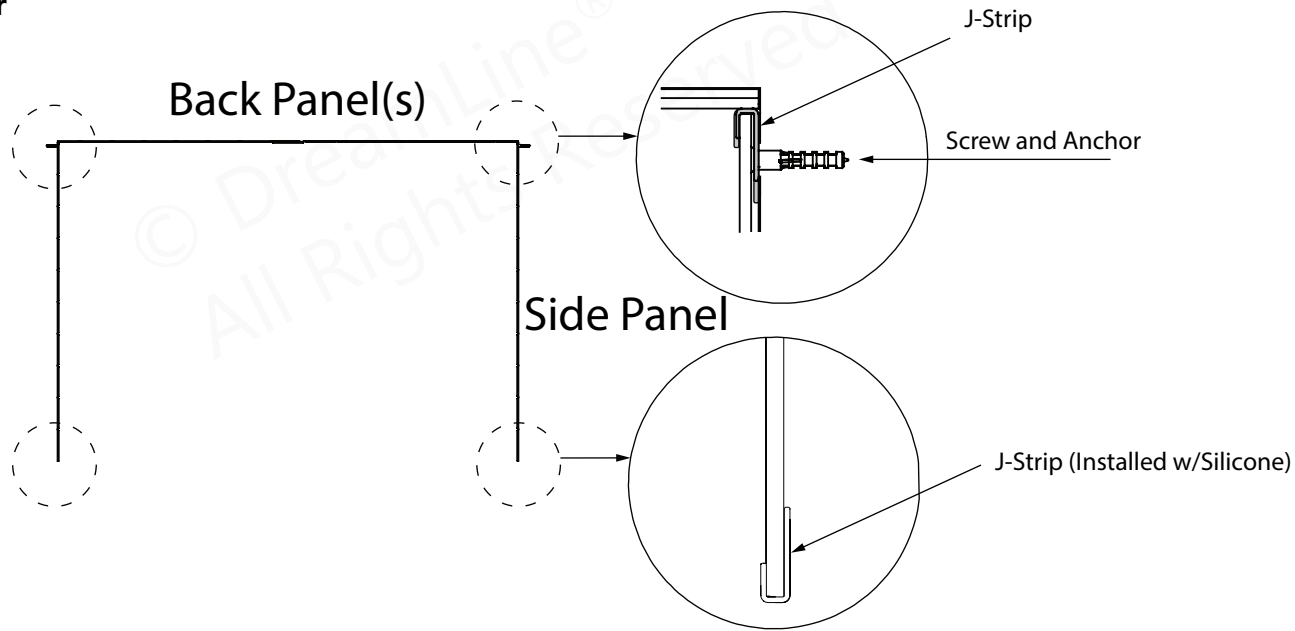
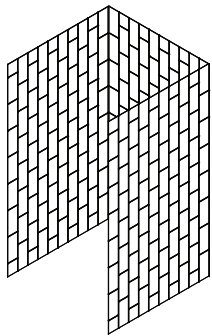
Corner



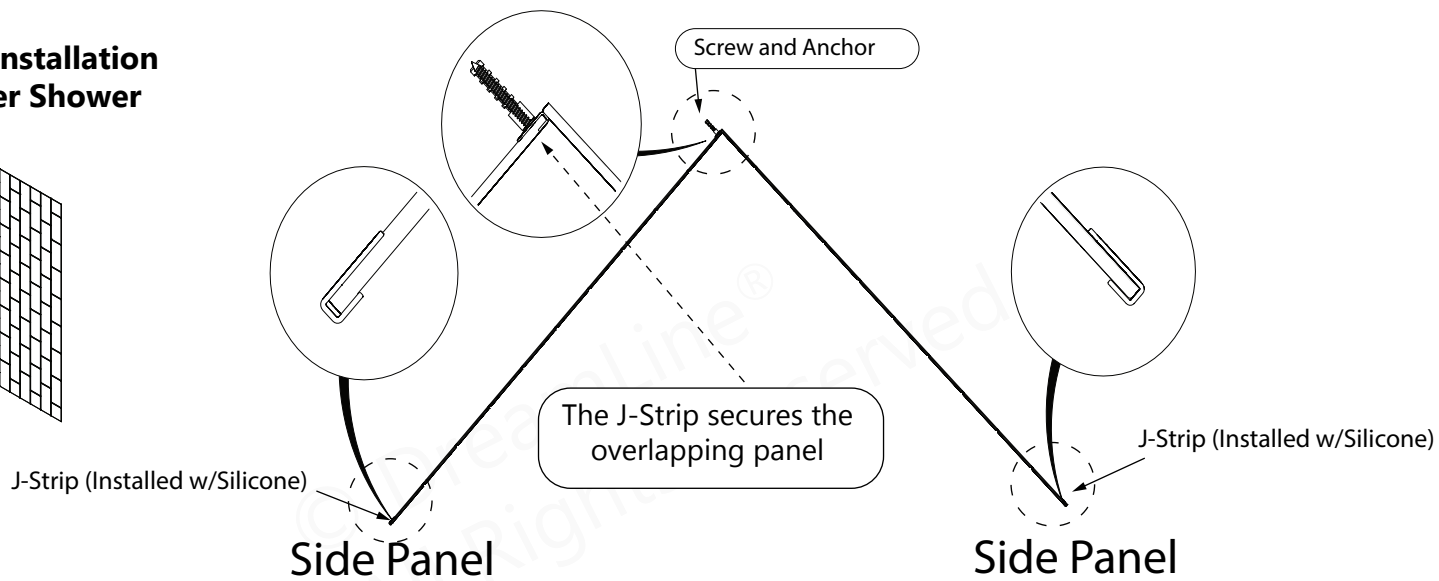
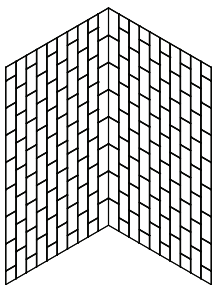
2 side panels  
3 J-Strips  
Screws  
anchors

# J-Strip Installation

## J-Strip (x4) Installation for an alcove configuration

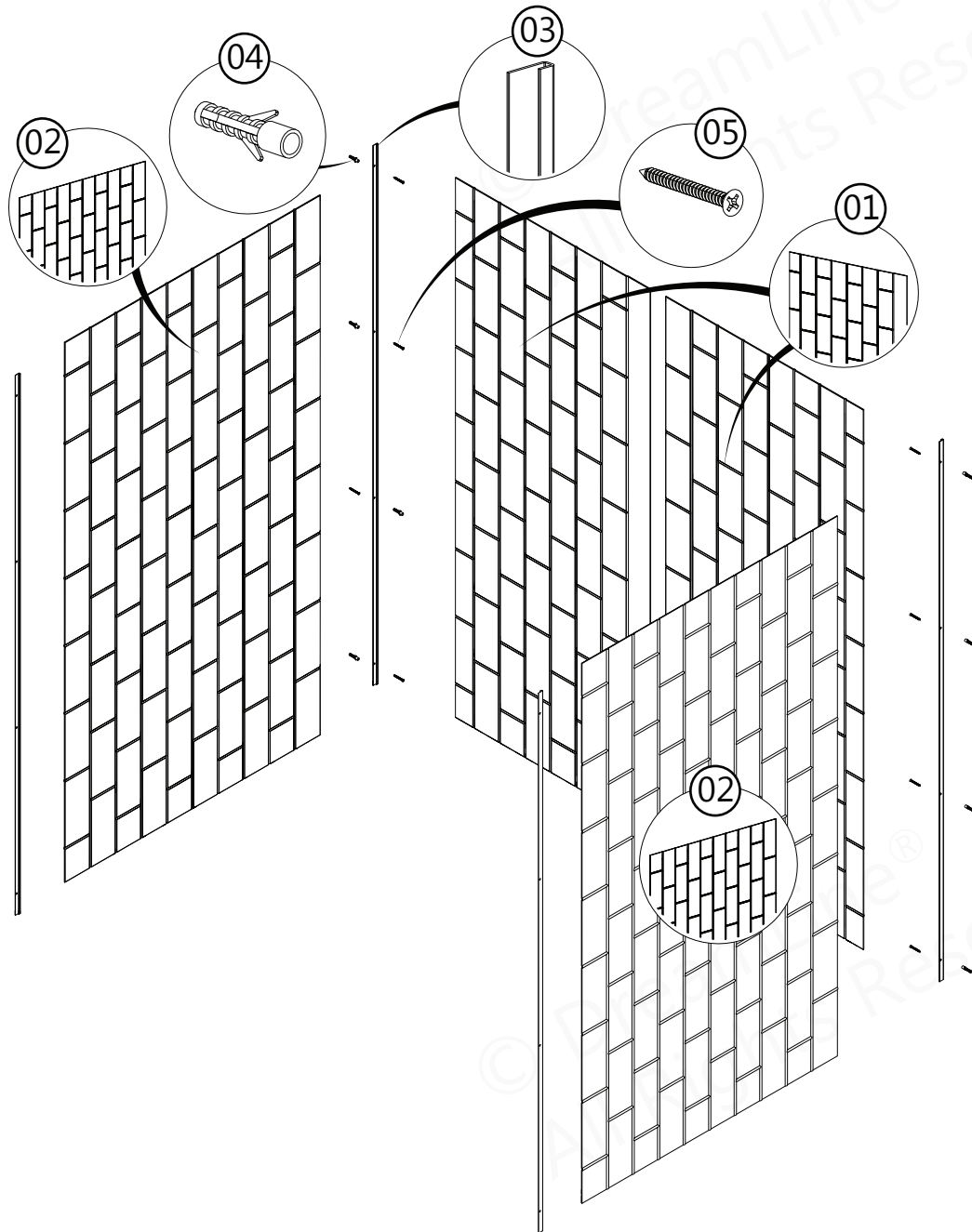


## J-Strip (x3) Installation for a Corner Shower



# Detailed Diagram of Q-Wall Components

Shower Height (Large alcove)



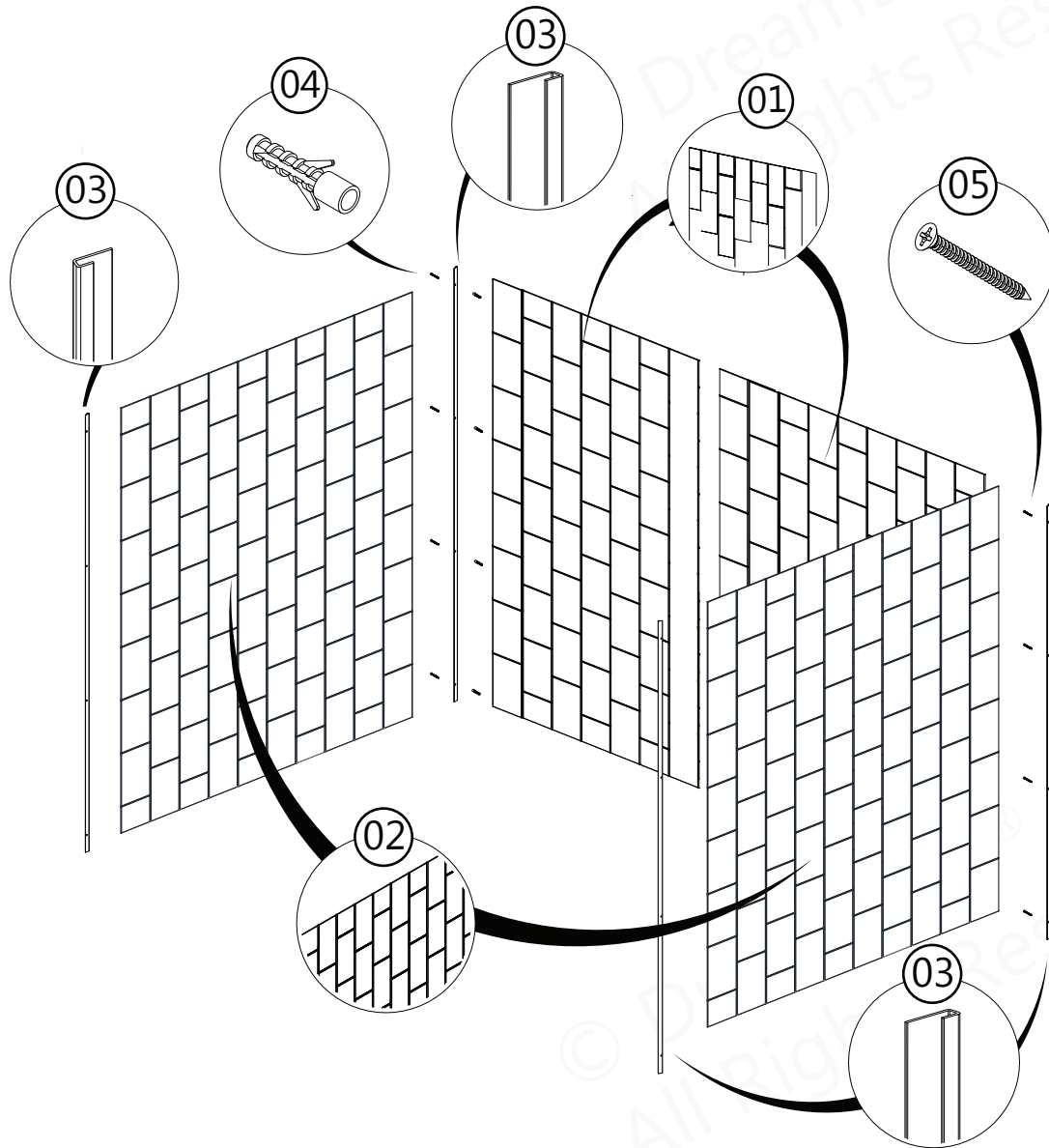
**The Installation of this configuration is shown as an example throughout this manual**

## Q-Wall Parts List

01	Q-Wall Back Panel	2 pcs
02	Q-Wall Side Panel	2 pcs
03	J-Strips	4 pcs
04	5/16" Wall Anchors	20 pcs
05	ST 4.2 x 30 Countersunk Screws	20 pcs

# Detailed Diagram of Q-Wall Components

Tub Height



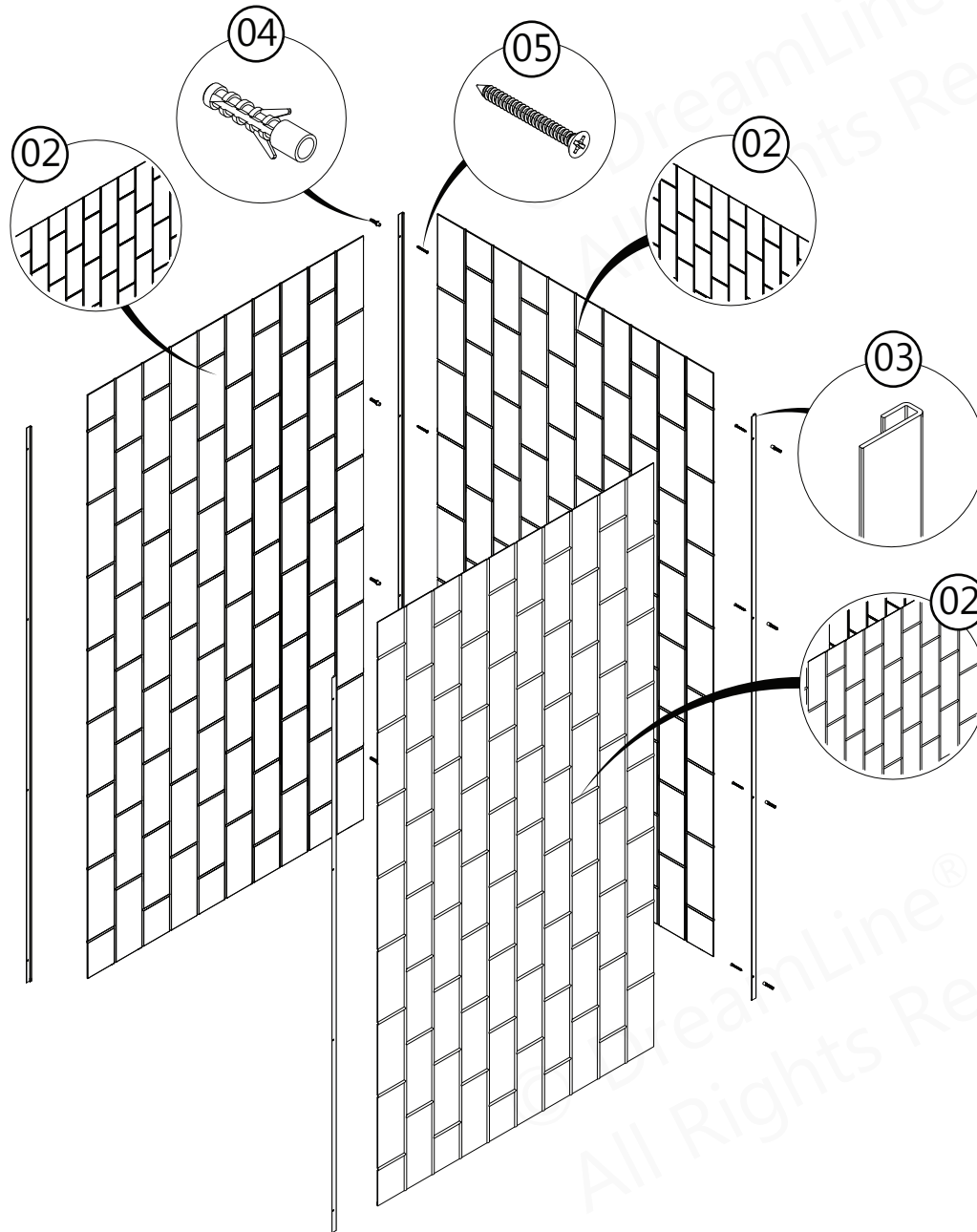
**The Installation of this configuration is shown as an example throughout this manual**

## Q-Wall Parts List

01	Q-Wall Back Panel	2 pcs
02	Q-Wall Side Panel	2 pcs
03	J-Strips	4 pcs
04	5/16" Wall Anchors	20 pcs
05	ST 4.2 x 30 Countersunk Screws	20 pcs

# Detailed Diagram of Q-Wall Components

Shower Height (Small alcove)



See "Installation of other configurations" on page 24

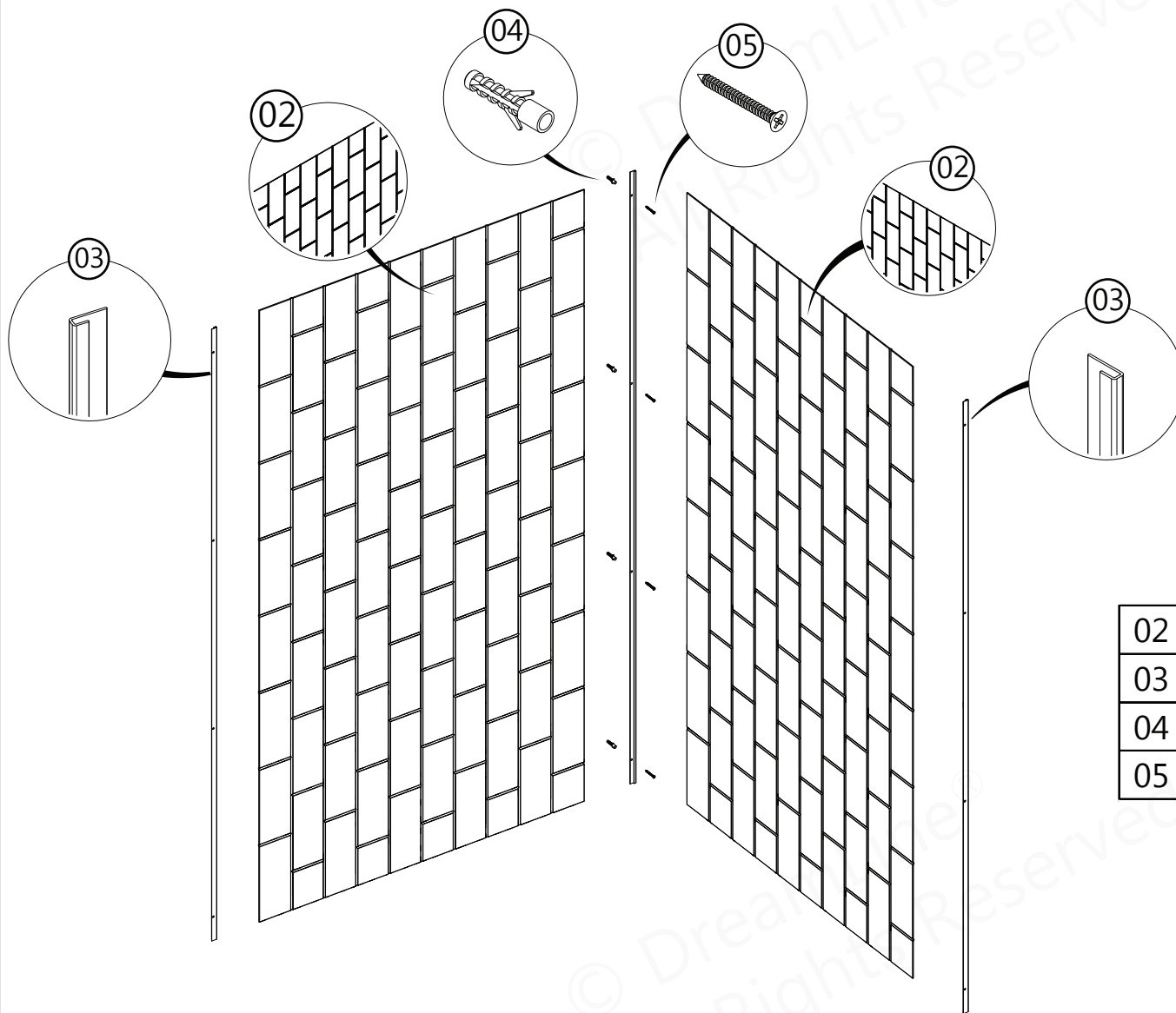
## Q-Wall Parts List

02	Q-Wall Side Panel	3 pcs
03	J-Strips	4 pcs
04	Ø 5/16" Wall Anchors	20 pcs
05	ST 4.2 x 30 Countersunk Screws	20 pcs



# Detailed Diagram of Q-Wall Components

Corner Shower



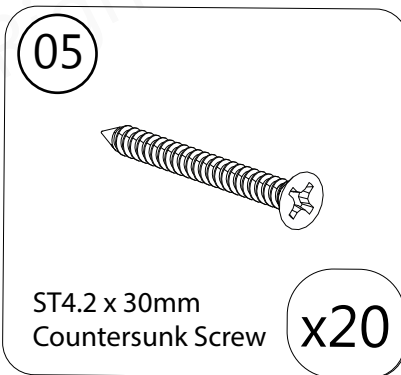
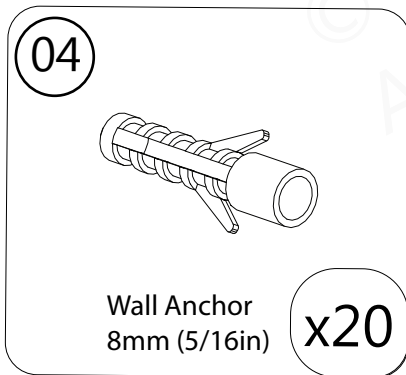
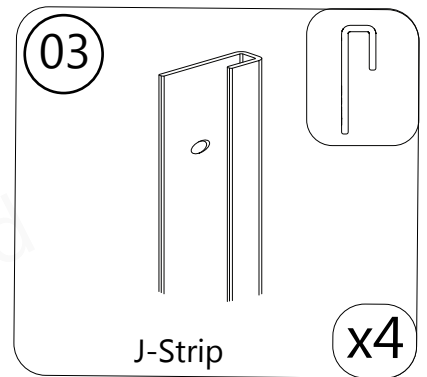
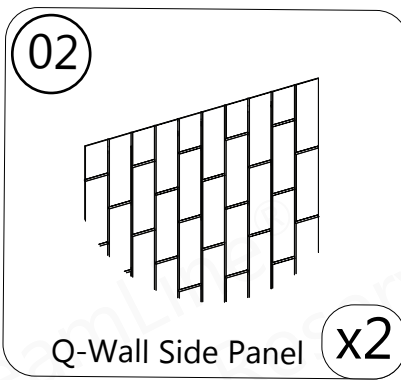
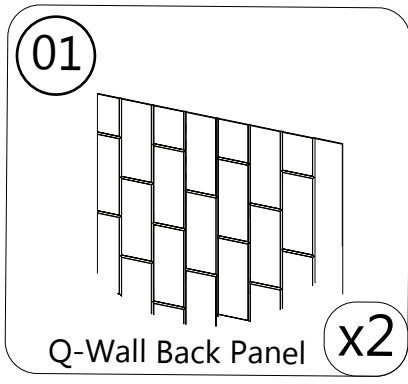
See "Installation of other configurations" on page 24

## Q-Wall Parts List

02	Q-Wall Side Panel	2 pcs
03	J-Strips	3 pcs
04	5/16" Wall Anchors	20 pcs
05	ST 4.2 x 30mm Countersunk Screws	20 pcs

© DreamLine® All Rights Reserved

# Parts List

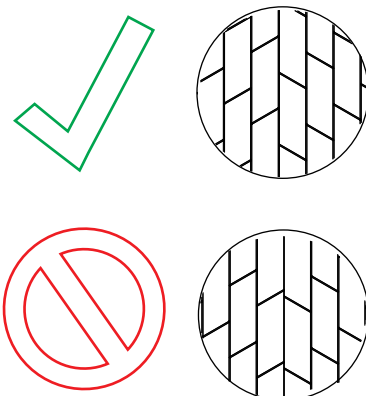


All Q-Wall Panels have a thin layer of protective plastic on the primary surface. Leave the protective plastic on when marking and cutting the Q-Wall Panels. Remove the protective plastic when instructed during the installation.



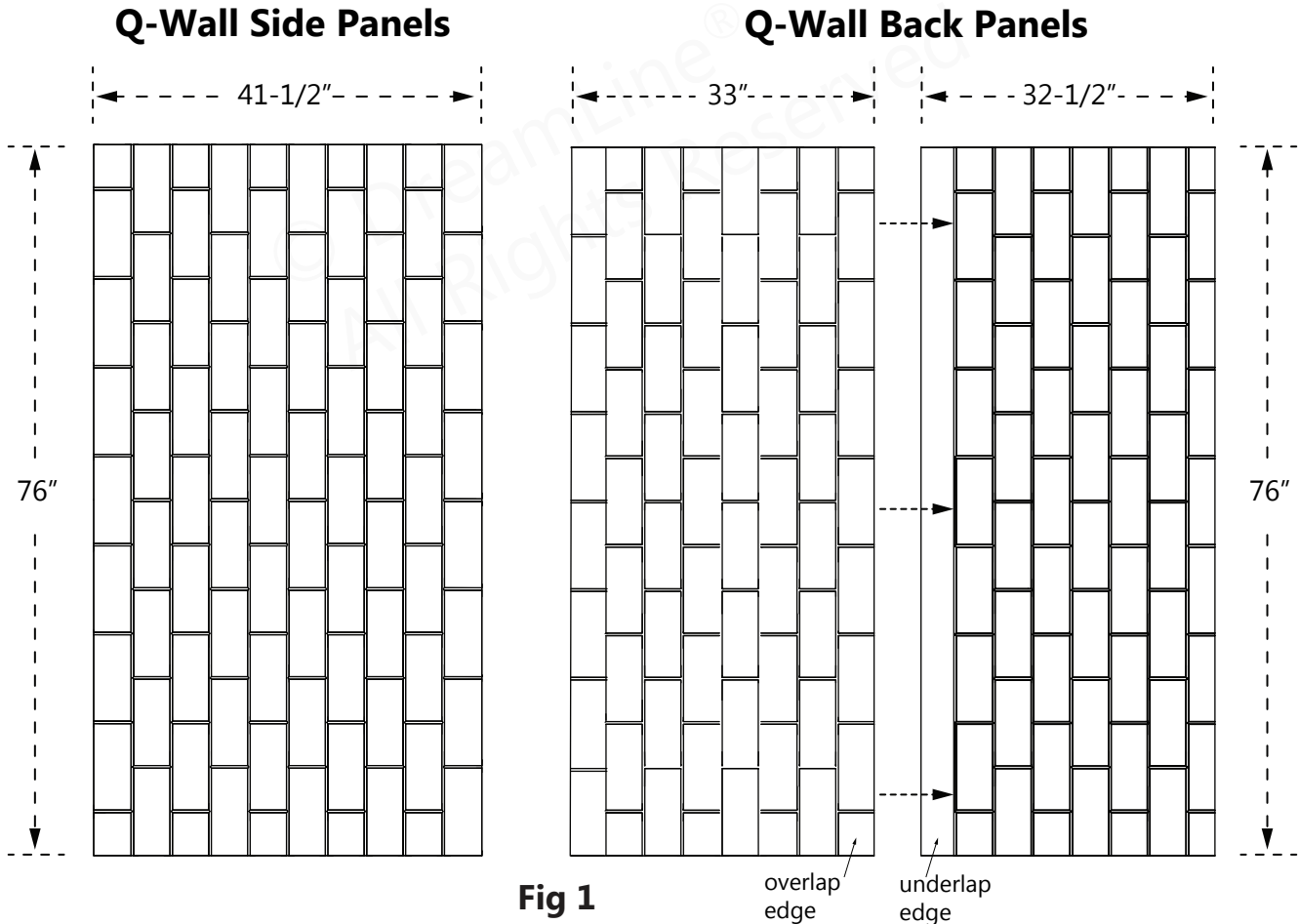
The horizontal grout lines will not align in the corner(s) by design. Attempting to align the horizontal grout lines may produce undesired results. Try flipping the Q-Wall Side Panels around to produce a more desirable staggering of the horizontal grout lines.

Corner Alignment examples:

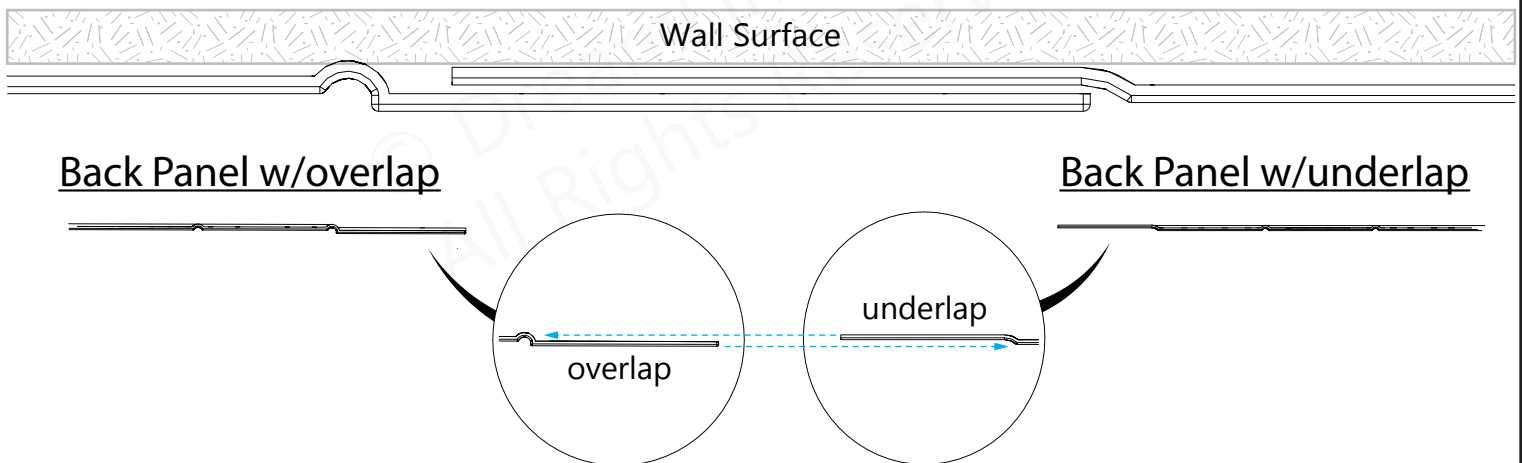


# Installation Steps

**1.** Remove the **Q-Wall panels** from the box(es) and identify the **Q-Wall Side Panels** and **Q-Wall Back Panels**. The **Q-Wall Back Panels** are different: The **Overlap Panel** is 33" wide; the **Underlap Panel** is 32-1/2" wide. The **Q-Wall Side Panels** are 41-1/2" wide. The grout lines are recessed on the primary surface of the Q-Wall panels. The grout lines protrude out on the back or wall side of the **Q-Wall Panels**. The primary surface of each **Q-Wall Panel** is covered with clear protective plastic. **Fig 1**

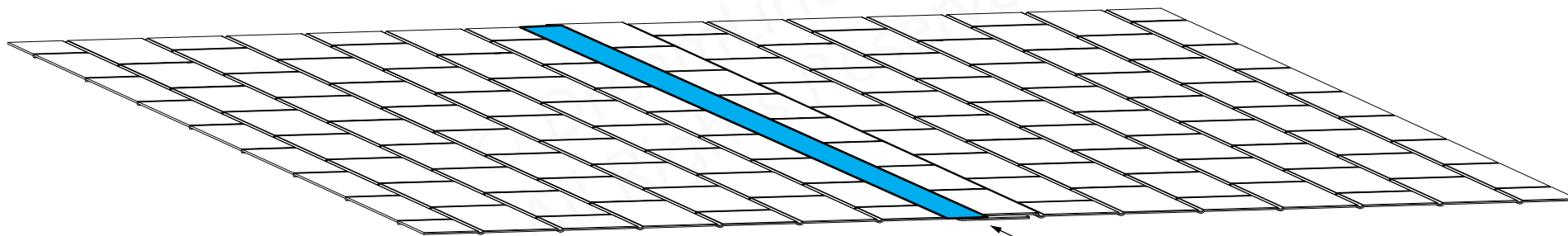


## Q-Wall Back Panels/Overlap and Underlap (Overhead View)



**NOTE** The Q-Wall back panels can be turned upside down to reverse the (left/right) direction of the overlap seam away from the shower head flow. (Left-side overlap shown as an example)

2. Lay the back **Q-Wall Back Panels** face-up on a clean, flat surface. Overlap the two back **Q-Wall Back Panels** (see previous page) evenly from top to bottom and tape the seam where the two **Q-Wall Back Panels** meet. **Fig 2**



(2) **Q-Wall Back Panels** shown lying flat

**Fig 2**

detail of overlap

**NOTE**

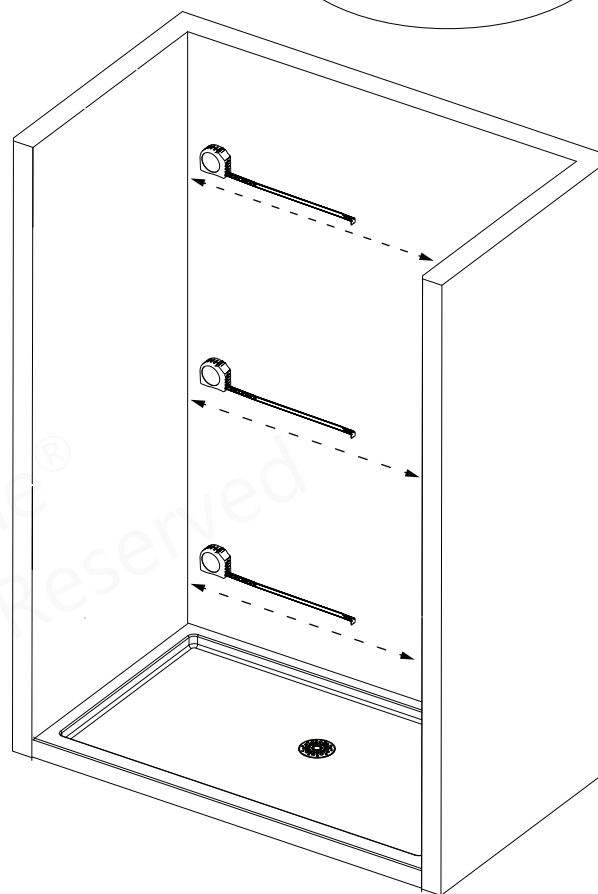
**Q-Wall Back Panels** can be flipped if desired to switch direction of overlap

3. Measure the width of the rear wall in the shower or tub opening, from corner to corner, at the top, middle and bottom. Record these measurements as W1, W2 and W3. **Fig 3**

W1: \_\_\_\_\_

W2: \_\_\_\_\_

W3: \_\_\_\_\_

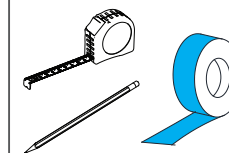


**Fig 3**

**NOTE**

The primary surface of each **Q-Wall Back Panel** is covered with protective plastic. Leave this protective plastic on when marking and cutting the **Q-Wall Back Panels** to prevent damage to the primary surface. Remove the protective plastic sheet as instructed during installation.

**Tools Needed**

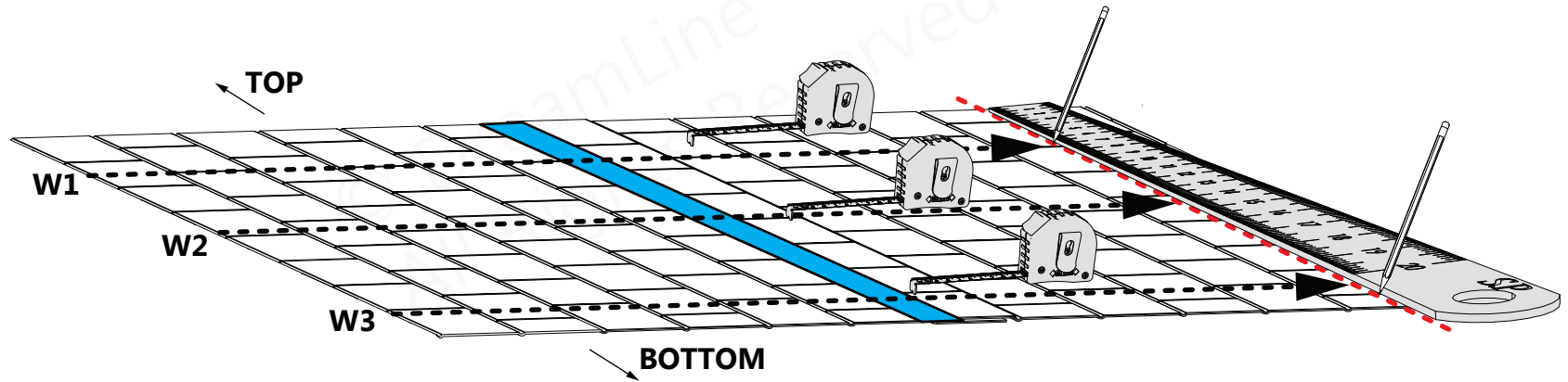


4. Transfer the measurements from Step #2 to the back Q-Wall Back Panels. Measure out from one side to mark the Q-Wall Back Panels, using a straight edge to mark a cut line. The overlap does not need to be centered. **Fig 4**

W1: \_\_\_\_\_

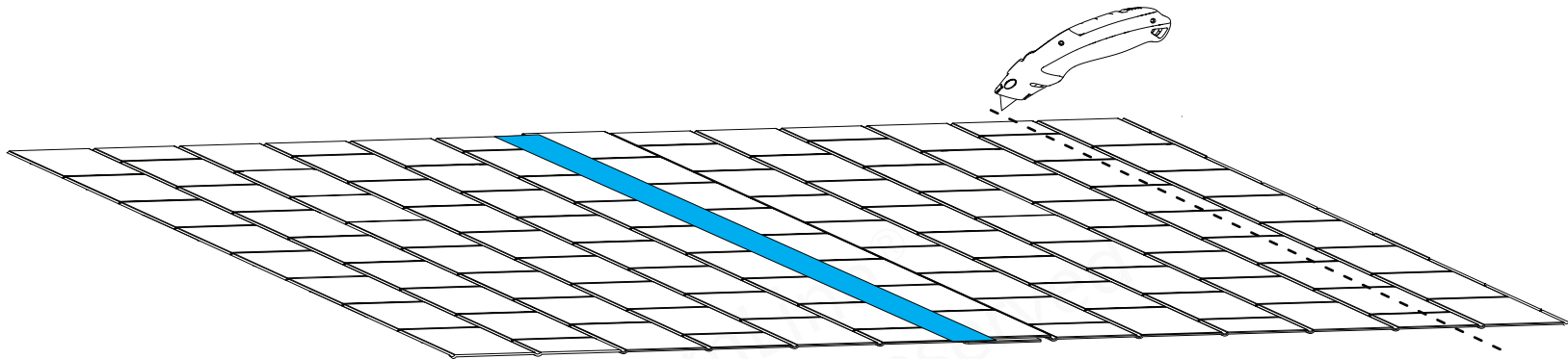
W2: \_\_\_\_\_

W3: \_\_\_\_\_

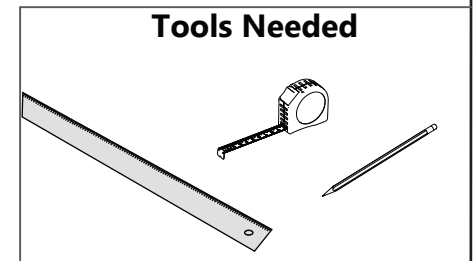


**Fig 4**

5. Use a straight edge and a fresh blade to score along the finished cut line several times to get a clean break. The Q-Wall Back Panel will snap at the scored line. **Fig 5**



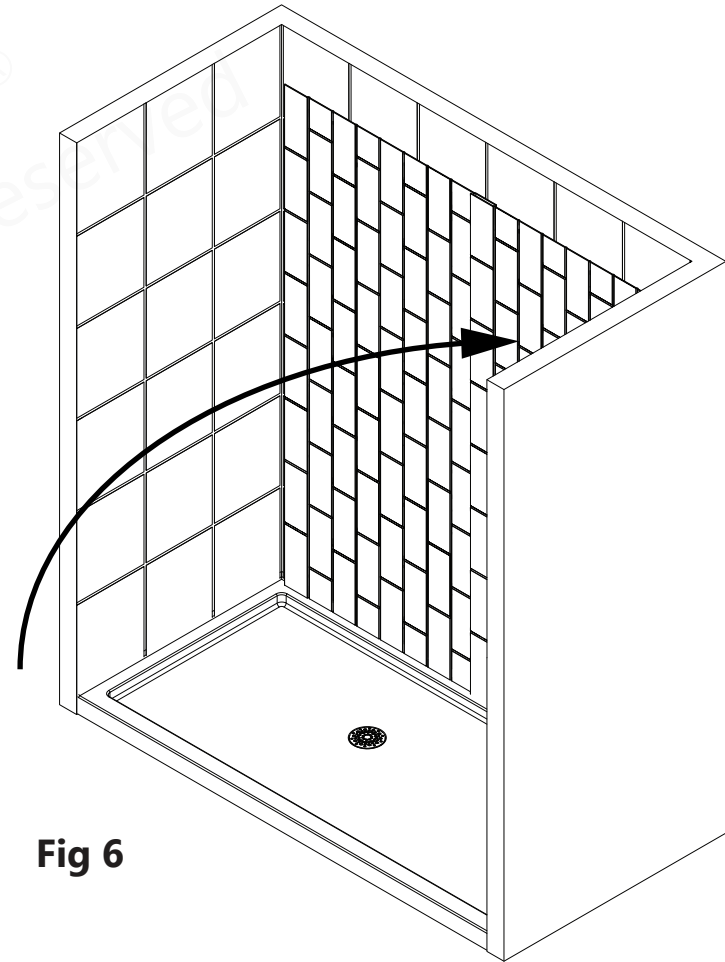
**Fig 5**



6. Remove the tape and separate the Q-Wall Back Panels. Dry fit the rear Q-Wall Back Panels against the back wall of the opening. **Fig 6**



Align the overlap to face away from the shower flow



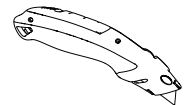
**Fig 6**



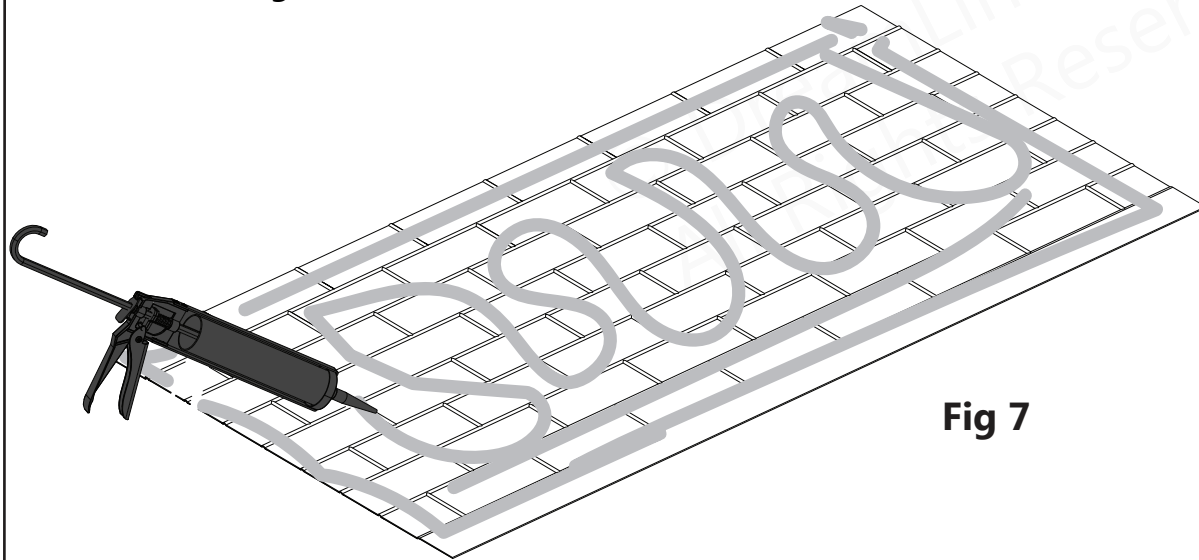
The primary surface of each Q-Wall Back Panel is covered with protective plastic. Leave this protective plastic on when marking and cutting the Q-Wall Back Panels to prevent damage to the primary surface. Remove the protective plastic sheet as instructed during installation.

**Parts Needed**

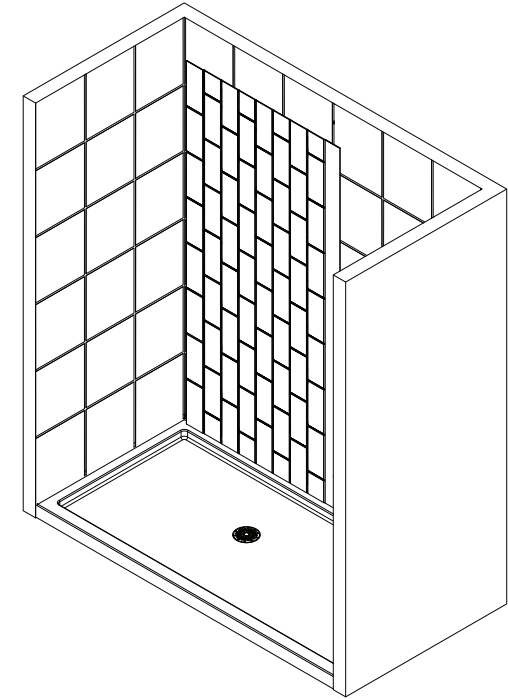
**Tools Needed**



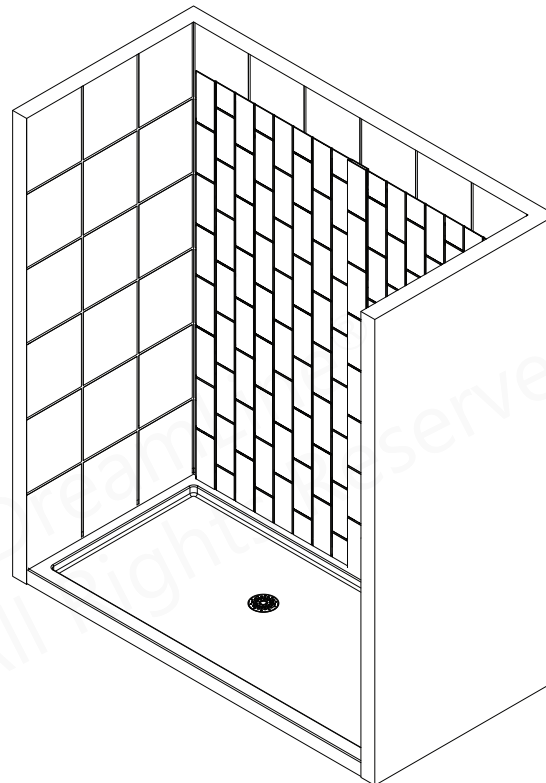
7. Apply tub surround adhesive to the back side of the underlapping **Q-Wall Back Panel** (the left **Q-Wall Back Panel** is shown as an example). Install the left/underlapping **Q-Wall Back Panel** against the rear wall of the opening, pressing evenly over the entire surface of the **Q-Wall Back Panel**, especially at the corners and the edges. Remove the protective plastic from the left side **Q-Wall Back Panel** once installed. **Fig 8**



**Fig 7**

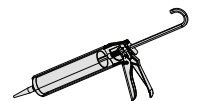


8. Dry fit the 2nd Q-wall Back Panel and make any adjustments necessary. **Fig 8**



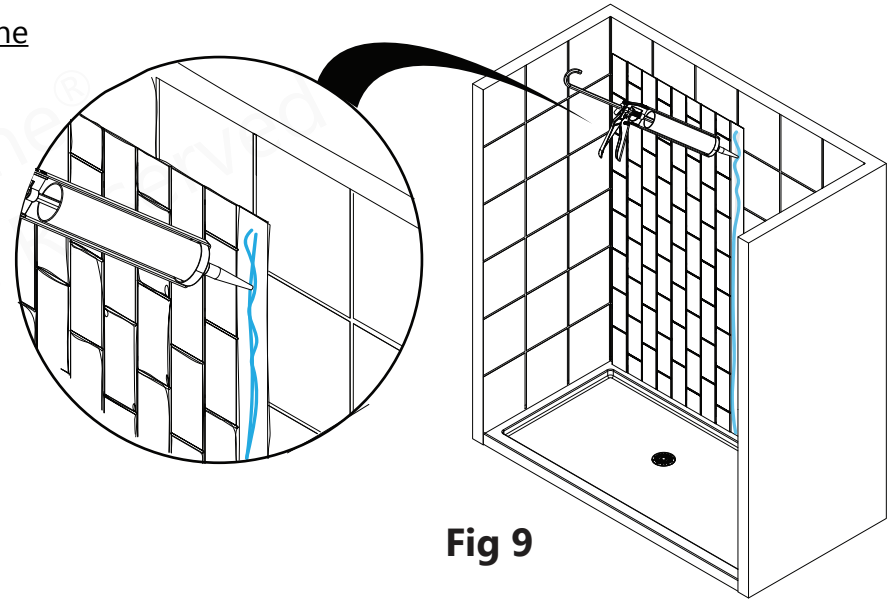
**Fig 8**

**Tools Needed**





**9.** Remove the overlap back panel and then apply clear silicone to the face of the underlap on the installed **Q-Wall Back Panel** (where the two back panels will overlap). **Fig 9**

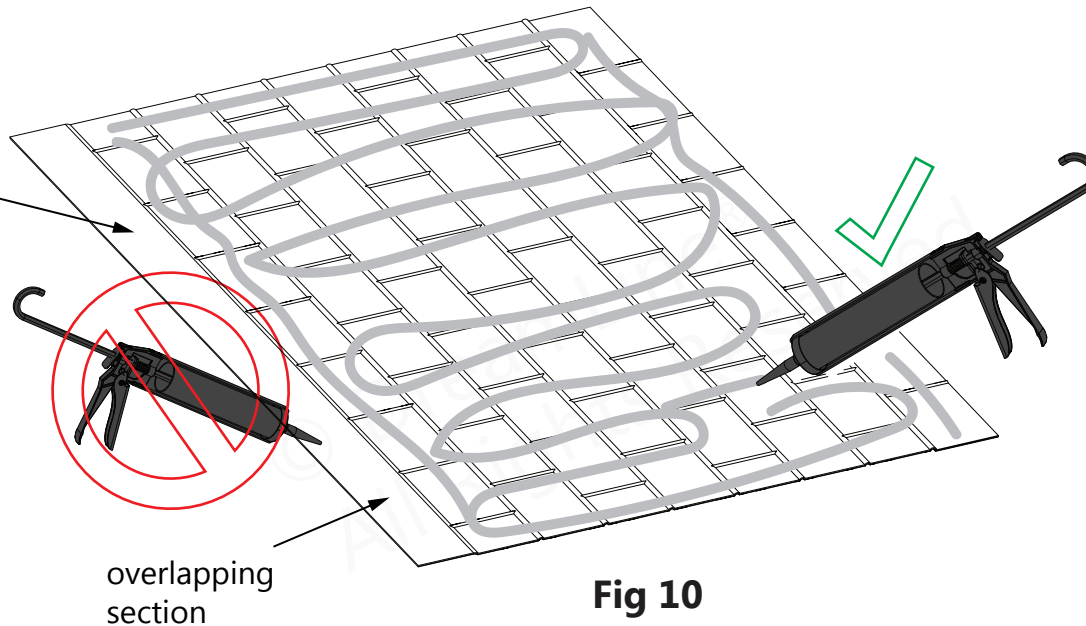


**Fig 9**

**10.** When applying adhesive to the back surface of the 2nd **Q-Wall Back Panel**, do not apply adhesive to the overlapping section. The clear silicone (applied to the installed **Q-Wall Back Panel**) will secure the two sections and waterproof the seam. Once the remainder of the back surface of the 2nd **Q-Wall Back Panel** is covered with adhesive, install the 2nd **Q-Wall Back Panel** onto the the wall of the opening, pressing firmly over the entire surface, paying special attention to the edges and corners and overlapping section. Remove the protective plastic covering from the 2nd **Q-Wall Back Panel** once installed. **Fig 10**

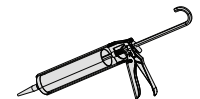
**NOTE**

**Do not** apply adhesive to the overlap on the 2nd **Q-wall Back Panel**

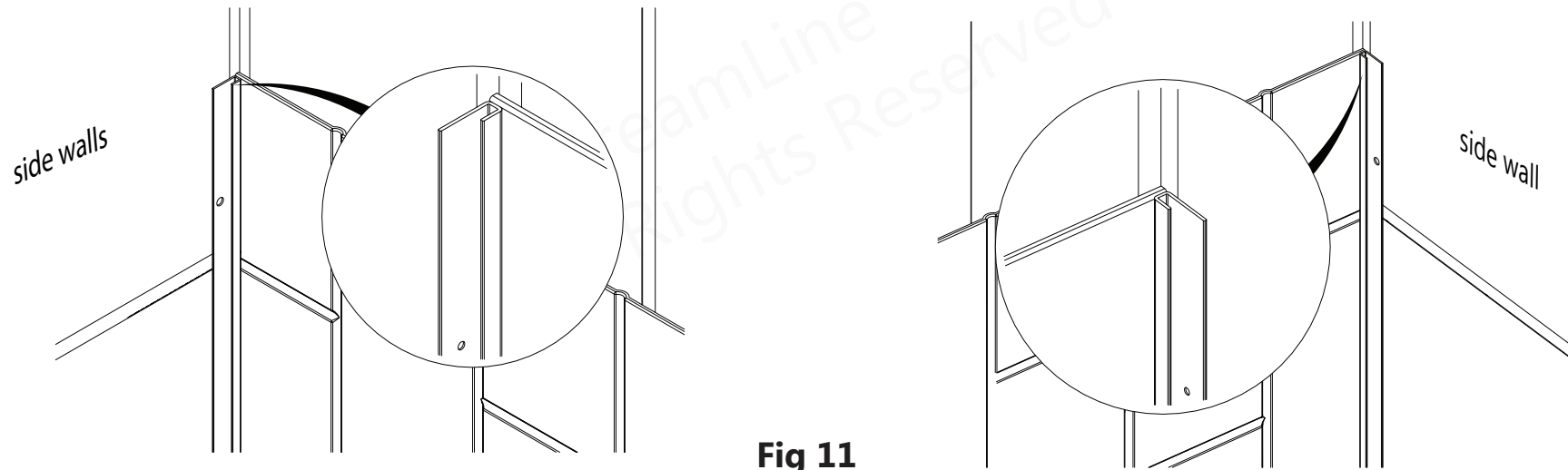


**Fig 10**

**Tools Needed**

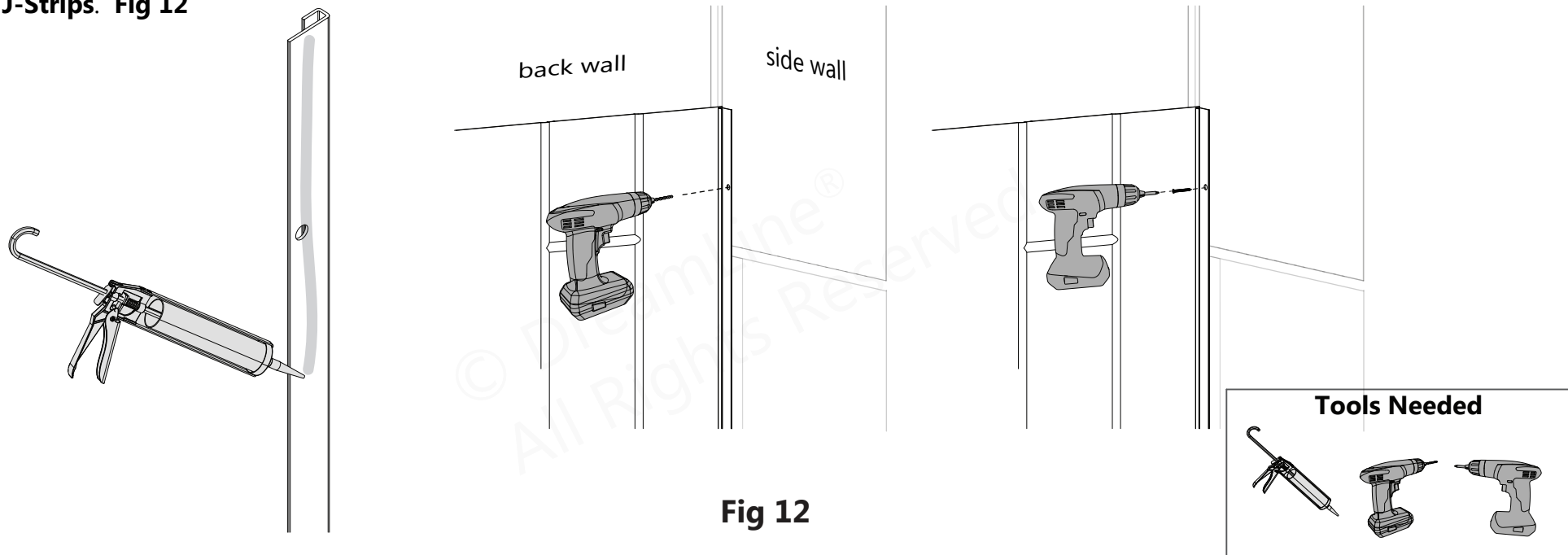


**11.** Dry fit the **J-Strips** into both back corners, with the wider flat side against the side walls, so the **Q-Wall Side Panels** can slide into them easily. **Fig 11**



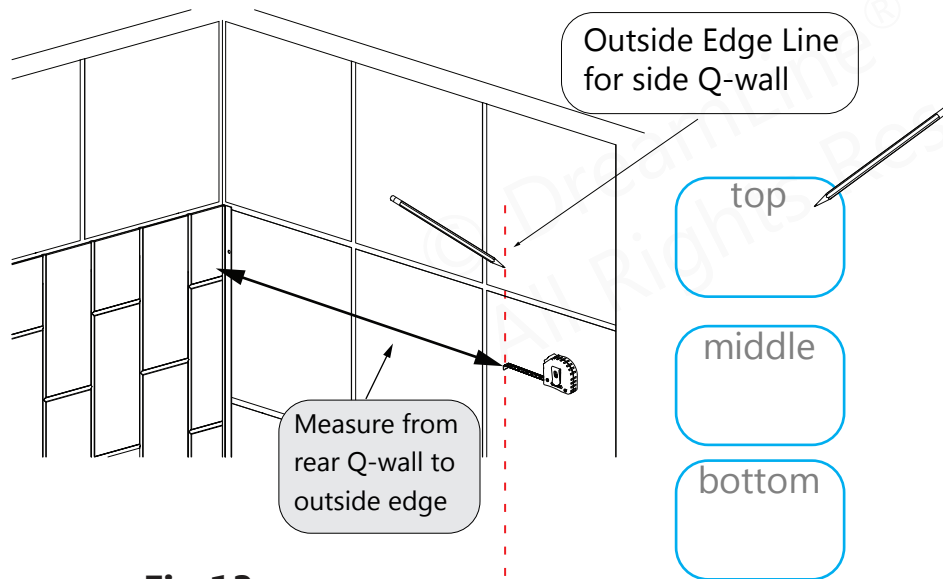
**Fig 11**

**12.** Apply clear silicone to the backs of both **J-Strips** and a thin bead of silicone into the corner of the opening. Press the J-Strips tight into the back corners. Wipe away any excess silicone with a clean rag. Use an  $\text{\O 1/8"}$  bit to drill into the wall through the holes in the J-Strips. Secure the **J-Strips** with the **ST 4.2 x 30 Countersunk Screws (#05)**. Be sure the screw heads are flush with the surface of the **J-Strips**. **Fig 12**



**Fig 12**

**13.** Measure from the installed **Q-Wall Back Panel** to the intended outside edge on both side walls. **Fig 13**

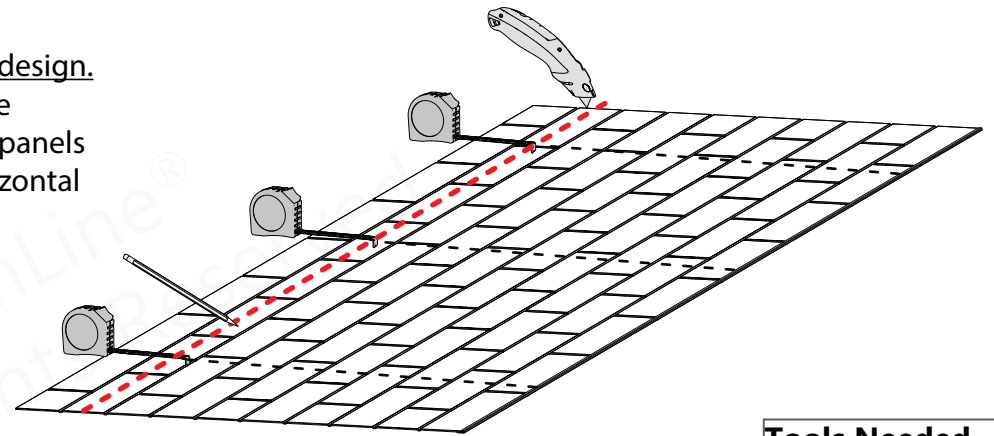
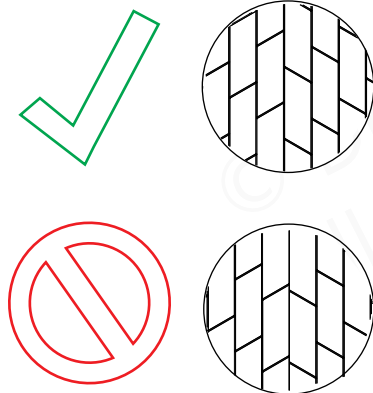


**Fig 13**

**14.** Subtract 1/16" from the measurements in the previous step to allow space for the **J-Strips**. Transfer these measurements to the **Q-Wall Side Panel**. Draw a cut line on the **Q-Wall Side Panel**, on the edge that will fit into the **J-Strips**. Score and cut the **Q-Wall Side Panel** to size. **Fig 14**

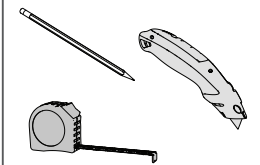
**NOTE** The horizontal grout lines will not align in the corner(s) by design. Attempting to align the horizontal grout lines may produce undesired results to your installation. Try flipping the side panels around to produce a more desirable staggering of the horizontal grout lines.

Corner Alignment examples:



**Fig 14**

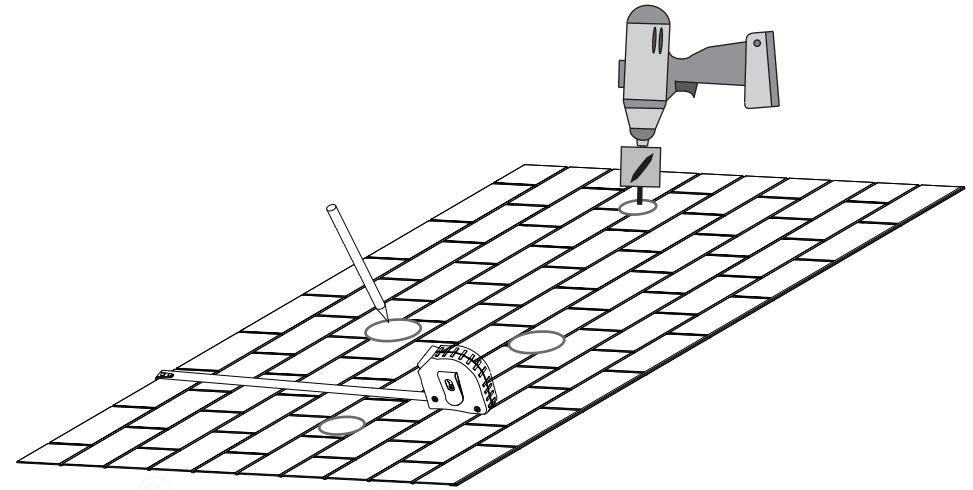
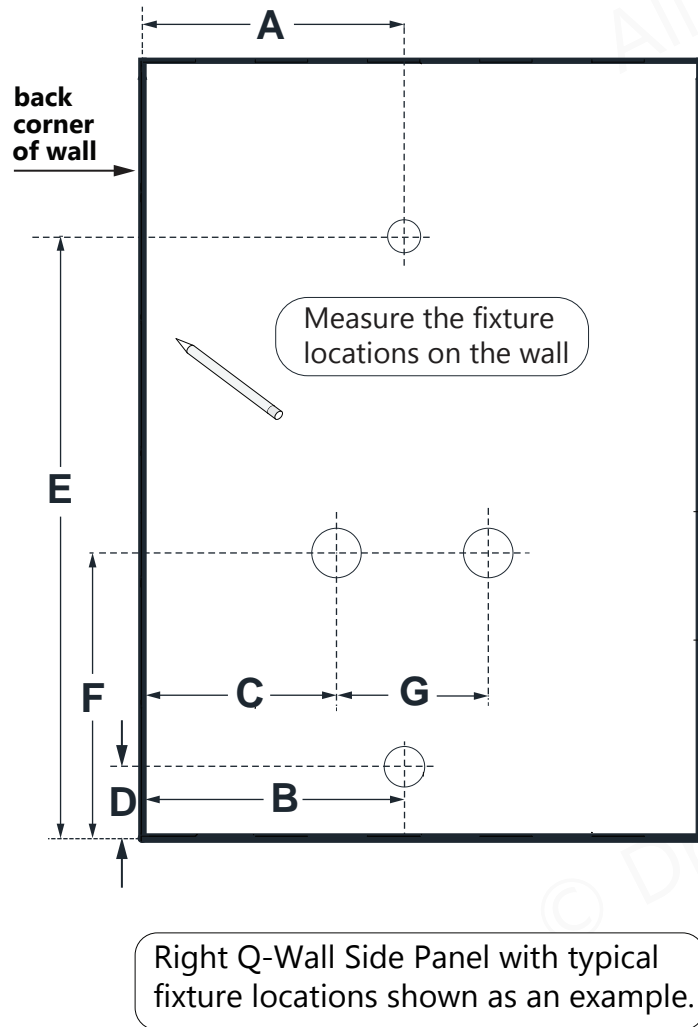
**Tools Needed**



**15.** Measure the location of the shower fixtures from each of the installed **Q-Wall Back Panels**. Transfer these measurements to the corresponding **Q-Wall Side Panel** and drill the cutouts using a hole saw. **Fig 15**

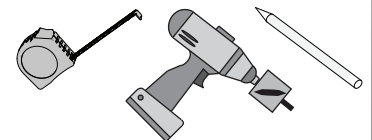
**Take exact measurements:**

- from the vertical reference line to the center of the fixture holes: **(A, B, C, G)**
- from the tub deck or shower threshold up to the center of the fixture holes **(D, E, F)**.

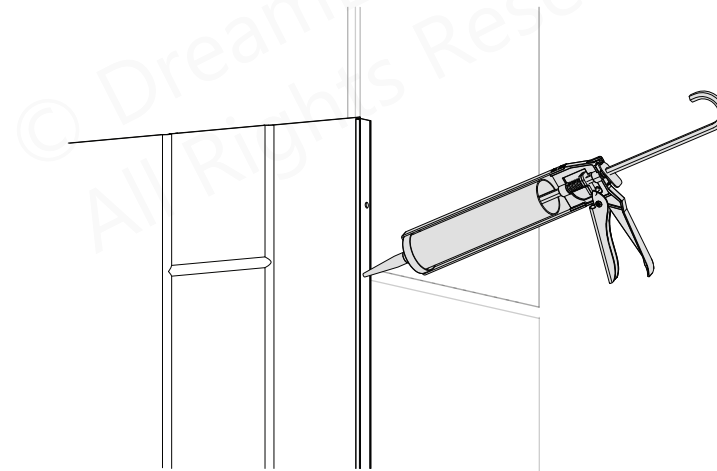


**Fig 15**

**Tools Needed**

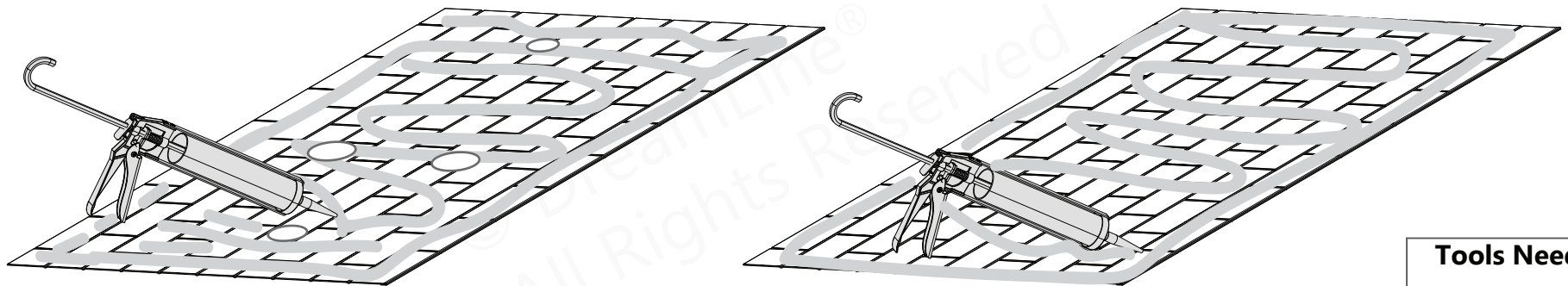


**16.** Apply a bead of clear silicone from top to bottom inside both of the installed **J-Strips**, including the screw heads. **Fig 16**



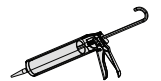
**Fig 16**

**17.** Apply tub surround adhesive to the back surface of both **Q-Wall Side Panels**. Peel back the protective plastic film along the edge before inserting into the installed **J-Strips** in the back corners. Press firmly over the entire surface, paying special attention to the edges and corners. Remove the rest of the protective plastic film. **Fig 17**

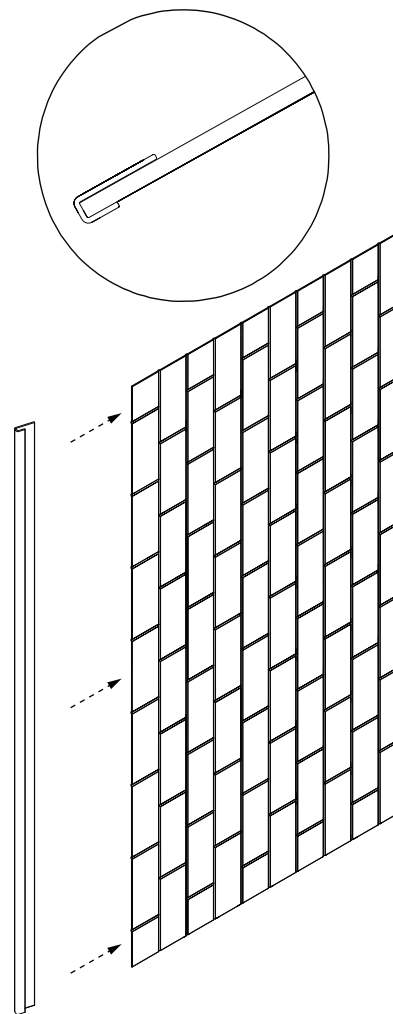
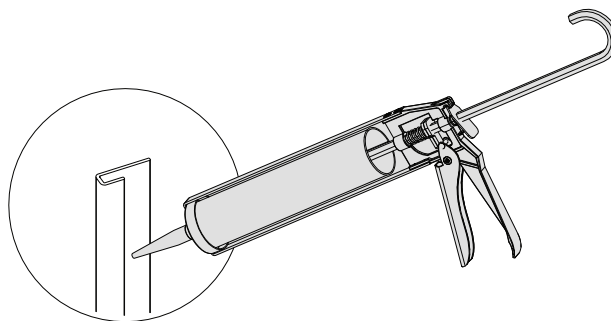
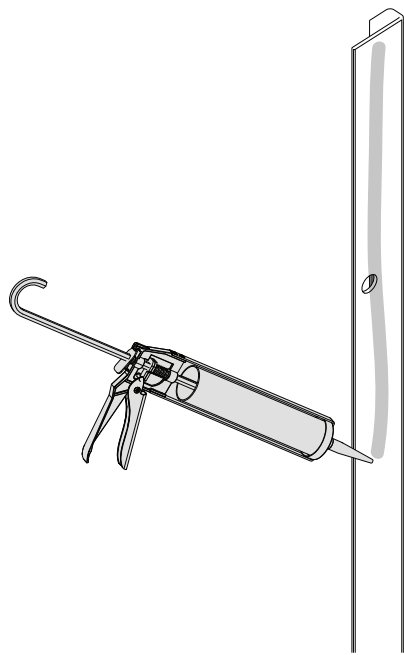


**Fig 17**

**Tools Needed**



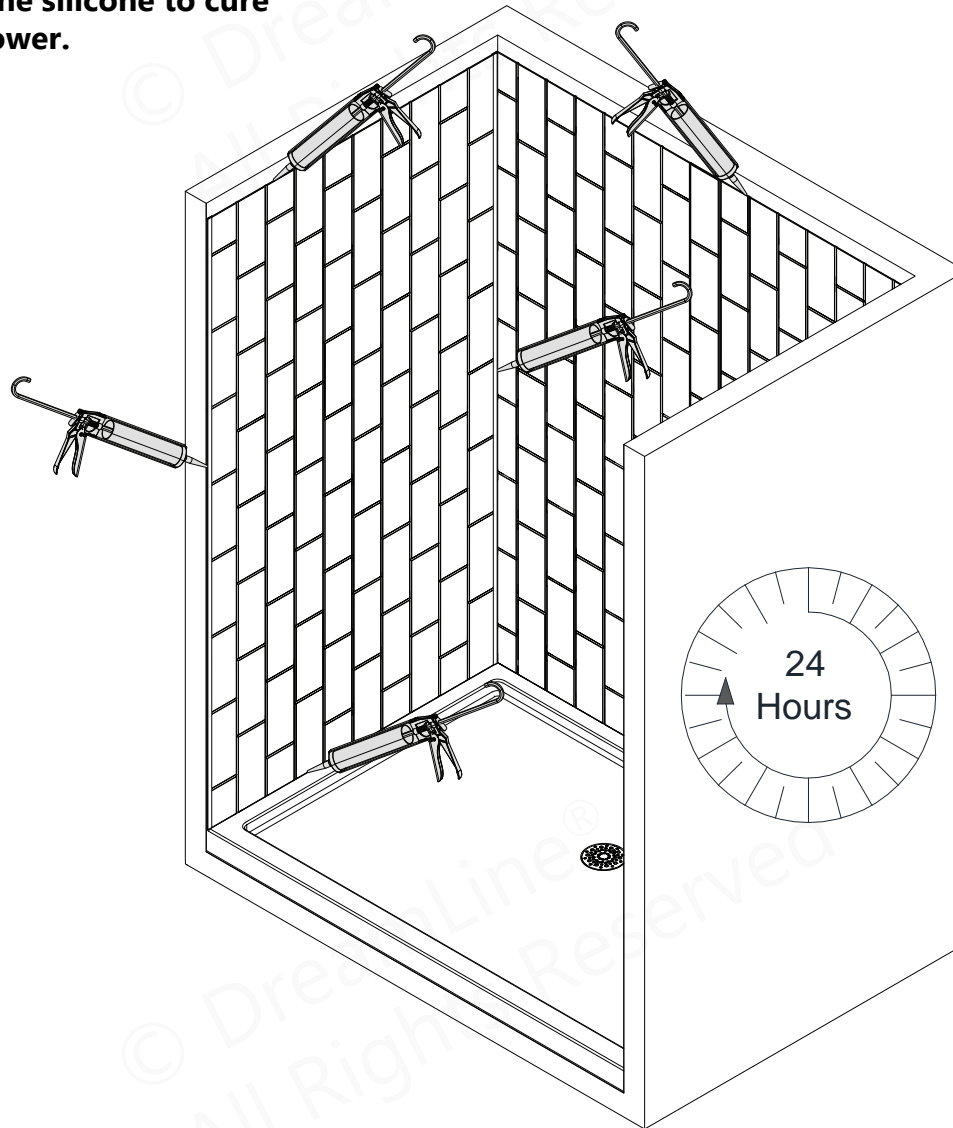
**18.** Apply silicone to the back of each outside J-Strip, where it will adhere to the wall. Then apply silicone to the inside of each J-Strip, and slide it onto the outside edge of the Q-Wall side panel. Press the J-Strip firmly to the wall and use tape if needed to hold it in place while the silicone cures.

**Tools Needed**

**19.** Apply a good quality, mildew-resistant silicone caulk (in the same color as the **Q-Wall Panels**) where the two rear **Q-Wall Back Panels** overlap, both sides of the **J-Strips**; on the outside edges of the **Q-Wall Side Panels** and along the exposed top edges if desired.  
**Fig 18**

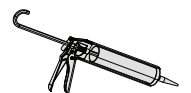


**Allow 24 hours for the silicone to cure before using the shower.**



**Fig 18**

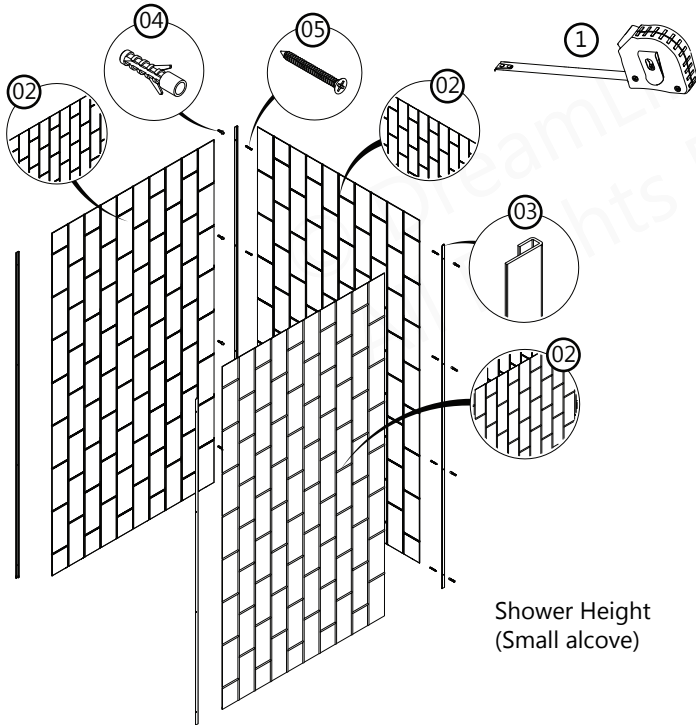
**Tools Needed**





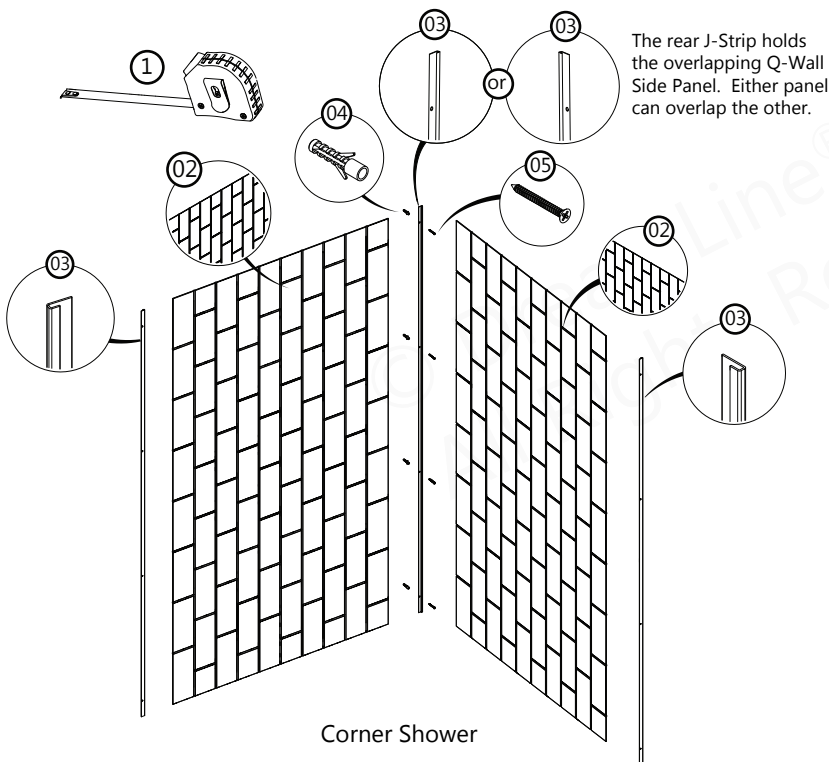
# Other Configurations

The techniques to install the Q-Wall Back Panels, Q-Wall Side Panels and J-Strips are the same for all configurations. The difference is in the amount and types of Q-Wall Panels and J-Strips and the installation order. The Small Shower Height and the corner configurations do not have overlapping Q-Wall Back Panels. The Small Shower Height configuration uses 3 Q-Wall Side Panels and 4 J-Strips. The Corner configuration uses 2 Q-Wall Side Panels and 3 J-Strips. See the diagrams below for the installation sequence and correct placement of parts.



## Shower Height (Small Alcove)

- 1) Measure the opening
- 2) Transfer measurements to side panel (to be used against back wall)
- 3) Install Q-Wall Side Panel at rear of shower
- 4) Install J-Strips on back corners
- 5) Measure side shower walls
- 6) Mark and cut Q-Wall Side Panels including holes for fixtures, accounting for overlap and alignment of brick pattern in corners (See p. 8 bottom)
- 7) Install Q-Wall Side Panels on both walls
- 8) Install J-Strips on the outside edges of both Q-Wall Side Panels



## Corner

- 1) Measure the opening
- 2) Transfer measurements to both side panels and cut them to size, accounting for overlap and alignment of brick pattern in corners (see p. 8 bottom)
- 3) Install one Q-Wall Side Panel on either wall.
- 4) Install one J-Strip against the face of the panel just installed (to receive the 2nd panel)
- 5) Install the second Q-Wall and slide it into the J-Strip.
- 6) Install J-Strips on the outside edges of both Q-Wall Side Panels

**BASES and BACKWALLS:** To ensure long lasting life for your acrylic back walls: wipe them off after each use with a soft cloth. To clean the acrylic back walls use non-abrasive sprays or cream based cleaners. Avoid the use of aerosol spray cleaners. Never use abrasive cleansers, metal brushes or scrapers that could permanently scratch or dull the surface.

**GLASS:** To ensure long lasting life for your glass shower products: wipe them off after each use with a soft cloth. Rinse and wipe off the glass using either a soft cloth or a squeegee to prevent soap buildup and water spots (Hard water can etch the surface of the glass over time if left to dry). To prevent scratching the surface: never use abrasive cleaners or cleaning products that contain scouring agents. Never use bristle brushes or abrasive sponges that may scratch the surface of the glass.

**HARDWARE:** To ensure a long lasting finish: wipe off all metal parts after each use with a soft cloth. Do not use abrasive cleaners or cleaning products containing ammonia, bleach or acid. If accidentally used, rinse the surface as soon as possible to prevent damage to the finish (peeling or corrosion). After cleaning the polished finishes, rinse thoroughly and wipe dry with a soft clean-cloth.

Clean stainless steel surfaces at least once a week. When applying stainless steel cleaner or polish to stainless steel hardware, work with the grain (not across the grain). Never use an abrasive sponge or cloth, steel wool or wired brush as these may permanently scratch the surfaces.



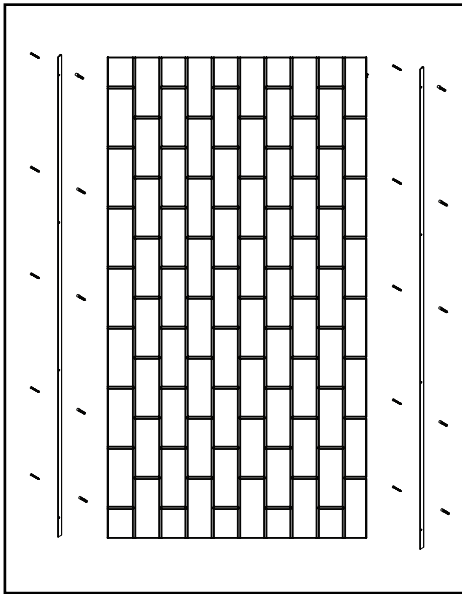
**To maximize the life of your door, it is important to regularly inspect the glass and other hardware for misalignment, proper attachment, and/or damage. Contact DreamLine® with any questions or concerns.**



Prior to contacting DreamLine® Customer Service, please have the following information readily available:

- Purchase Order Information
- Name, PO Number, Dealer/Vendor Name, etc.
- SKU/Model Number (see cover Page)
- Factory Part Information (see Pages 26-29)

# Factory Parts Information for Box SKU: SHBW-1541176-00/22/88



Q-Wall side panel

SHBW-1541176-## Q-Wall Side Panel (x1) (41" x 76") FACTORY PARTS INFORMATION			
ITEM #	FACTORY PART NUMBER	ITEM DESCRIPTION	QTY
<b>SHBW-1541176-00</b>			
<b>WHITE</b>			
02	031054193025 <b>00</b>	Q-Wall Side panel 41-1/2" x 76" x 3/32" (1054X1930X2.5mm)	1
03	0600700 <b>01</b> -1930	J-Strip (JT070) Vinyl	2
<b>SHBW-1541176-22</b>			
<b>BISCUIT</b>			
02	031054193025 <b>02</b>	Q-Wall Side panel 41-1/2" x 76" x 3/32" (1054X1930X2.5mm)	1
03	0600700 <b>04</b> -1930	J-Strip (JT070) Vinyl	2
<b>SHBW-1541176-88</b>			
<b>BLACK</b>			
02	031054193025 <b>08</b>	Q-Wall Side panel 41-1/2" x 76" x 3/32" (1054X1930X2.5mm)	1
03	0600700 <b>02</b> -1930	J-Strip (JT070) Vinyl	2
<b>Hardware</b>			
04	092106	ST4.2 x 30 Countersunk screw	10
05	07552148	Wall Anchor 8mm (5/16in)	10

**BOLD** digit indicates finish:

**last two digits of box sku-##**

00 = White

22 = Biscuit

88 = Black

**bold digit within part #**

01-White

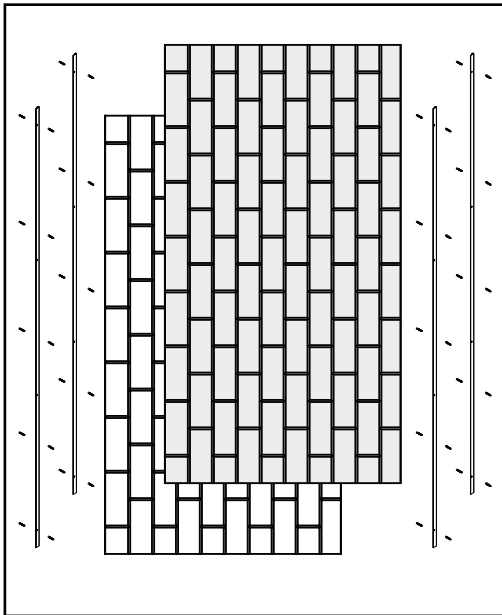
02/04-Biscuit

02/08-Black

Contact [Support@DreamLine.com](mailto:Support@DreamLine.com) for Part replacement, installation assistance or additional information.

Complete **Warranty** information is available on [DreamLine.com](http://DreamLine.com).

# Factory Parts Information for Box SKU: SHBW-1541276-00/22/88



Q-Wall side panels

SHBW-1541276-## Q-Wall Side Panels (x2) (41" x 76") FACTORY PARTS INFORMATION			
ITEM #	FACTORY PART NUMBER	ITEM DESCRIPTION	QTY
<b>SHBW-1541276-00</b>			
<b>WHITE</b>			
02	031054193025 <b>00</b>	Q-Wall Side panel 41-1/2" x 76" x 3/32" (1054X1930X2.5mm)	2
03	0600700 <b>01</b> -1930	J-Strip (JT070) Vinyl	4
<b>SHBW-1541276-22</b>			
<b>BISCUIT</b>			
02	031054193025 <b>02</b>	Q-Wall Side panel 41-1/2" x 76" x 3/32" (1054X1930X2.5mm)	2
03	0600700 <b>04</b> -1930	J-Strip (JT070) Vinyl	4
<b>SHBW-1541276-88</b>			
<b>BLACK</b>			
02	031054193025 <b>08</b>	Q-Wall Side panel 41-1/2" x 76" x 3/32" (1054X1930X2.5mm)	2
03	0600700 <b>02</b> -1930	J-Strip (JT070) Vinyl	4
<b>Hardware</b>			
04	092106	ST4.2 x 30 Countersunk screw	20
05	07552148	Wall Anchor 8mm (5/16in)	20

**BOLD digit indicates finish:**

**last two digits of box sku-##**

00 = White

22 = Biscuit

88 = Black

**bold digit within part #**

01-White

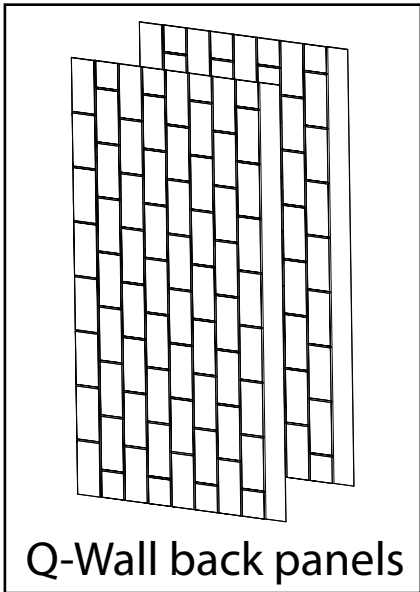
02/04-Biscuit

02/08-Black

Contact [Support@DreamLine.com](mailto:Support@DreamLine.com) for Part replacement, installation assistance or additional information.

Complete **Warranty** information is available on [DreamLine.com](http://DreamLine.com).

# Factory Parts Information for Box SKU: SHBW-1536276-00/22/88



(1 Overlap and 1 Underlap)

SHBW-1536276-## Q-Walls Back Panels (60"x 36"x 76") FACTORY PARTS INFORMATION			
ITEM #	FACTORY PART NUMBER	ITEM DESCRIPTION	QTY
<b>SHBW-1536276-00</b>		<b>WHITE</b>	
01	031930082825 <b>00</b>	Q-Wall Back panel (w/underlap) 76" x 32-1/2" x 3/32" (1930X828X2.5mm)	1
01	031930841250 <b>00</b>	Q-Wall Back panel (w/overlap) 76" x 33 x 3/32" (1930X841X2.5mm)	1
<b>SHBW-1536276-22</b>		<b>BISCUIT</b>	
01	031930082825 <b>02</b>	Q-Wall Back panel (w/underlap) 76" x 32-1/2" x 3/32" (1930X828X2.5mm)	1
01	031930084125 <b>02</b>	Q-Wall Back panel (w/overlap) 76" x 33 x 3/32" (1930X841X2.5mm)	1
<b>SHBW-1536276-88</b>		<b>BLACK</b>	
01	031930082825 <b>08</b>	Q-Wall Back panel (w/underlap) 76" x 32-1/2" x 3/32" (1930X828X2.5mm)	1
01	031930084125 <b>08</b>	Q-Wall Back panel (w/overlap) 76" x 33 x 3/32" (1930X841X2.5mm)	1

**BOLD digit indicates finish:**

**last two digits of box sku-##**

00 = White

22 = Biscuit

88 = Black

**bold digit within part #**

01-White

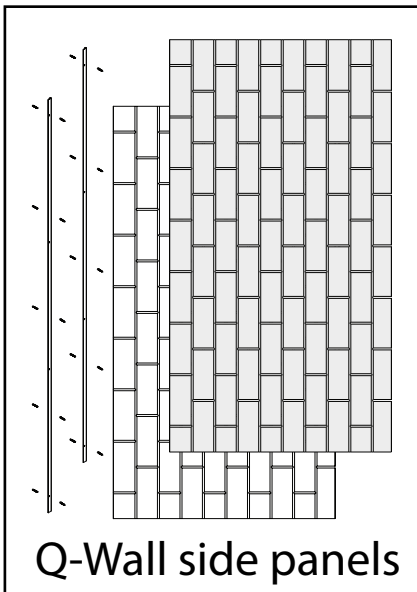
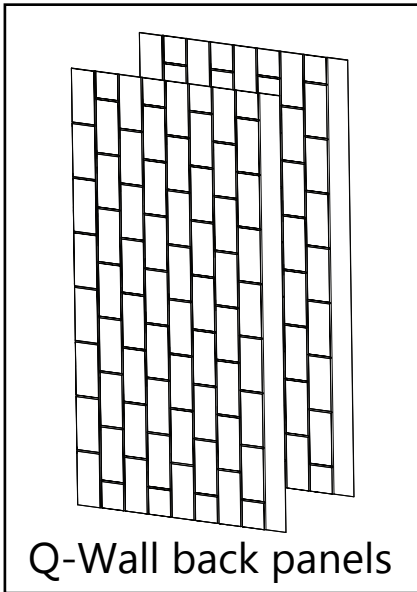
02/04-Biscuit

02/08-Black

Contact [Support@DreamLine.com](mailto:Support@DreamLine.com) for Part replacement, installation assistance or additional information.

Complete **Warranty** information is available on [DreamLine.com](http://DreamLine.com).

# Factory Parts Information for Box SKU: SHBW-1560620-00/22/88



SHBW-1560620-## Q-Wall kit for tub (60"x36"x62") FACTORY PARTS INFORMATION			
ITEM #	FACTORY PART NUMBER	ITEM DESCRIPTION	QTY
<b>SHBW-1560620-00</b>		<b>WHITE</b>	
01	031564082825 <b>00</b>	Q-Wall Back Panel w/underlap 61-1/2" x 32-1/2 x 3/32" (1564X828X2.5mm)	1
01	031564084125 <b>00</b>	Q-Wall Back Panel w/overlap 61-1/2" x 33" x 3/32" (1564X841X2.5mm)	1
02	031054156425 <b>00</b>	Q-Wall Side panel 41-1/2" x 61-1/2" x 3/32" (1054X1564X2.5mm)	2
03	0600700 <b>01</b> -1564	J-Strip (JT070) Vinyl	4
<b>SHBW-1560620-22</b>		<b>BISCUIT</b>	
01	031564082825 <b>02</b>	Q-Wall Back Panel w/underlap 61-1/2" x 32-1/2 x 3/32" (1564X828X2.5mm)	1
01	031564084125 <b>02</b>	Q-Wall Back Panel w/overlap 61-1/2" x 33" x 3/32" (1564X841X2.5mm)	1
02	031054156425 <b>02</b>	Q-Wall Side panel 41-1/2" x 61-1/2" x 3/32" (1054X1564X2.5mm)	2
03	0600700 <b>04</b> -1564	J-Strip (JT070) Vinyl	4
<b>SHBW-1560620-88</b>		<b>BLACK</b>	
01	031564082825 <b>08</b>	Q-Wall Back Panel w/underlap 61-1/2" x 32-1/2 x 3/32" (1564X828X2.5mm)	1
01	031564084125 <b>08</b>	Q-Wall Back Panel w/overlap 61-1/2" x 33" x 3/32" (1564X841X2.5mm)	1
02	031054156425 <b>08</b>	Q-Wall Side panel 41-1/2" x 61-1/2" x 3/32" (1054X1564X2.5mm)	2
03	0600700 <b>02</b> -1564	J-Strip (JT070) Vinyl	4
<b>Hardware</b>			
04	092106	ST4.2 x 30 Countersunk screw	10
05	07552148	Wall Anchor 8mm (5/16in)	10

<b>BOLD digit indicates finish:</b>	
<b>last two digits of box sku-##</b>	<b>bold digit within part #</b>
00 = White	01-White
22 = Biscuit	02/04-Biscuit
88 = Black	02/08-Black

Contact [Support@DreamLine.com](mailto:Support@DreamLine.com) for Part replacement, installation assistance or additional information.

Complete **Warranty** information is available on [DreamLine.com](http://DreamLine.com).

**NOTES:**

© DreamLine®  
All Rights Reserved

© DreamLine®  
All Rights Reserved





---

---

TEL: 866-731-2244  
FAX: 866-857-3638  
DREAMLINE.COM



For more information on DreamLine® Shower Doors and Enclosures please visit **DreamLine.com**

# INFINITY-Z

## Installation Manual



**DO NOT RETURN PRODUCT TO STORE. CONTACT DREAMLINE<sup>®</sup> WITH ANY QUESTIONS**

### QUESTIONS?

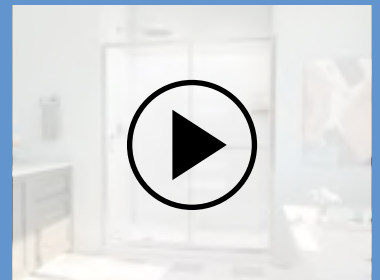
Please Contact DreamLine Customer Support:

**CALL** 1-866-731-2244

**EMAIL** support@dreamline.com

SEE **DREAMLINE.COM** FOR HOURS OF OPERATION

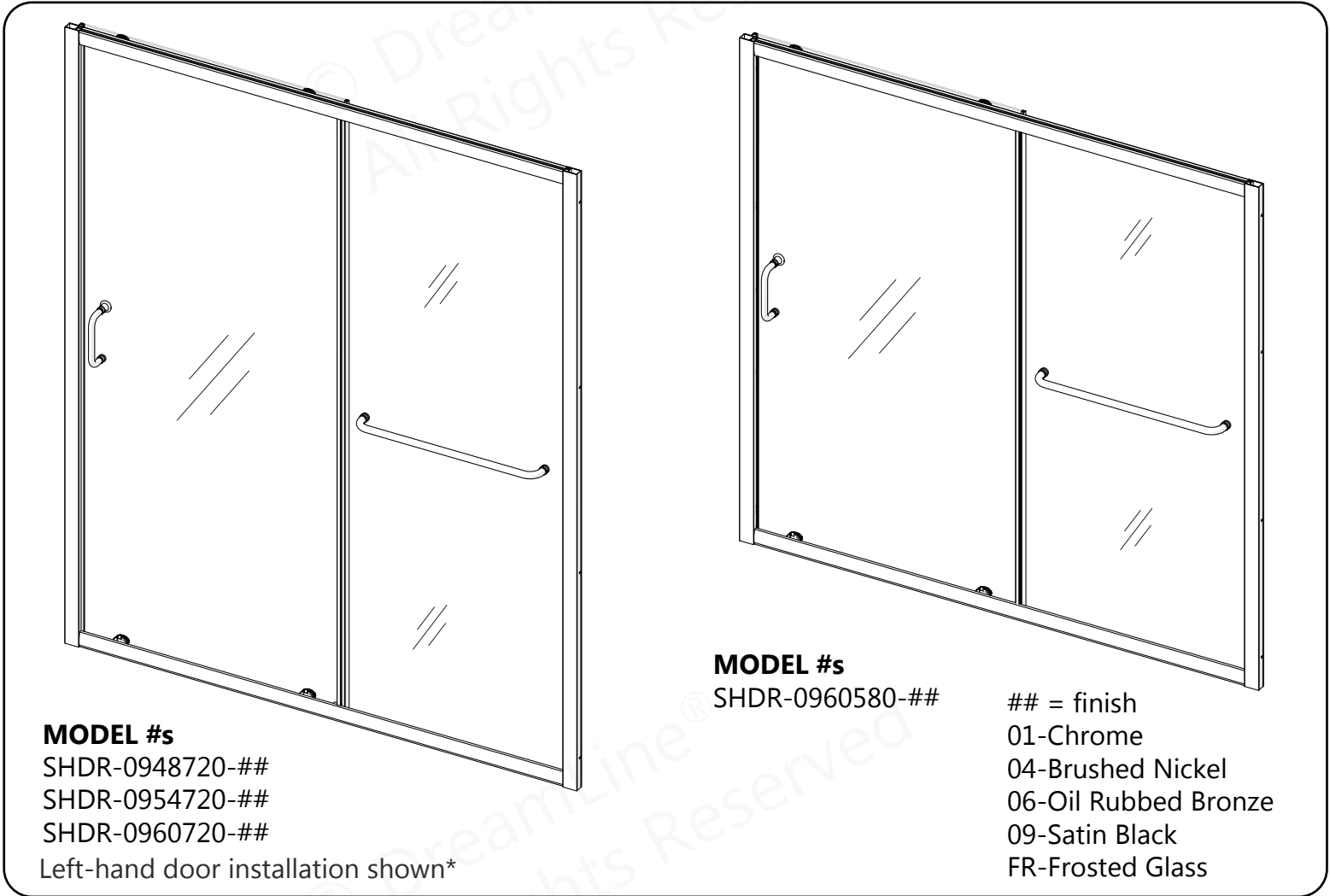
**CLICK HERE**  
To View Our  
Installation Video



# INFINITY-Z

## SHOWER AND TUB DOOR INSTALLATION INSTRUCTIONS

PLEASE REVIEW THIS ENTIRE MANUAL PRIOR TO INSTALLATION



### IMPORTANT!

DreamLine<sup>®</sup> reserves the right to alter, modify or redesign products at any time without prior notice for the purpose of product improvement and customer experience. Please refer to the model's web page on [DreamLine.com](http://DreamLine.com) for the latest technical drawings, installation manuals, warranty information or additional product details.



### Questions?

Please contact DreamLine Customer Support  
See [DreamLine.com](http://DreamLine.com) for hours of operation

[Support@DreamLine.com](mailto:Support@DreamLine.com)

1-866-731-2244





© DreamLine®  
All Rights Reserved

© DreamLine®  
All Rights Reserved

Record the following purchase information for your records or in the event you need to contact DreamLine®:

Purchase Order  
Number \_\_\_\_\_

Store/Vendor  
Purchased From \_\_\_\_\_

Installation Date \_\_\_\_\_

OD Number  
(optional) \_\_\_\_\_  
\*found on the shipping box or label  
if available.


Installed By: \_\_\_\_\_

SKU Number \_\_\_\_\_


# Table of Contents

Section Title	Page #
General Preparations and Warnings	2
Model Specific Preparation	3
Adjustable Wall Profile System	4
Tools	5
Detailed Diagram of Shower Door Components	6
Parts List	7-8
Installation Steps	9-24
Top and Bottom Roller Assembly Installation	19-20
Handle and Vinyl(s) Installation	22
Decorative Cover with Washer Installation	23
Product Maintenance	25
Troubleshooting	26
Factory Parts Information	27-33


## Symbol Legend




**TIP** - for ease of installation.




**CORRECT** - recommended.



**NOTE** - take note of special feature; additional information.

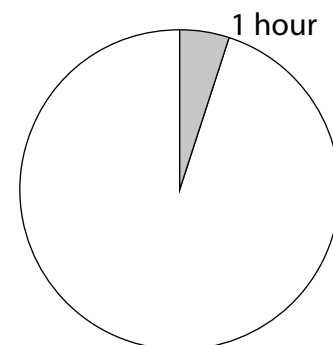


**INCORRECT** - not recommended.



**REQUIRED** - requires special attention; signifies a warning.

Average Installation Time



## IMPORTANT

- DreamLine® reserves the right to alter, modify or redesign products any time without prior notice for product improvement and customer experience. Please refer to the model's web page on [DreamLine.com](http://DreamLine.com) for the latest technical drawings, installation manuals, warranty information or additional product details.
- This product should be installed by someone familiar with the construction requirements for this type of project and the care necessary for the safe installation and operation of the product.
- The safety of any installation is the responsibility of the installer.
- Professional installation required. (*Enigma Series*)
- Professional installation recommended. (*All models*)
- To prevent damage or serious injury, Do Not lean against the installed panel/door/glass.
- To prevent damage or serious injury: Do Not attempt to lift or move a heavy lite of glass alone. Use an assistant and/or a professional grade glass suction cup.
- The installation of some models may require drilling down into the threshold. Contact the manufacturer of the base, tub, or threshold material with any questions regarding the drilling of holes into their product.
- All drawings in this installation manual are for illustrative purposes only and are not drawn to scale.

## TEMPERED GLASS WARNING

- Your Shower Door Glass Could Shatter Without Warning if Improperly Installed or Mishandled
- Do Not install or operate a shower door if the glass has chipped corners, slivered edges or is otherwise damaged and/or has been dropped or banged into a hard surface such as tile, marble or glass.
- **The main causes of tempered glass breakage are:**
  - Improper handling, storage or installation
  - Misuse/abuse
  - Lack of maintenance
  - Failure to replace damaged glass
  - **Improper handling during storage, unpacking and installation:**
  - Corners and edges are the most susceptible area to damage on a lite of tempered glass and should be protected and handled with care during storage, unpacking, installation and operation. A concentrated point of pressure or impact with a surface harder than itself may cause the tempered glass to shatter. The tempered glass may release immediately, within several hours or even days later.
  - **Incorrect installation of door hardware, rollers, hinges, channels, stopper or glass:**
  - Improper installation may include: loose hardware and/or lack of proper gaskets between the hardware and glass. Additionally, improper alignment of guide rails, wall profiles or other hardware during installation or operation may place stress on the glass edges and cause it to break.
  - This product must be installed by a professional and experienced installer familiar with the safe handling of tempered glass.
  - **Improper use of this product:**
    - Aggressively opening or closing the door may cause trauma to the glass, which can lead to breakage. This may occur immediately or hours or even days later.
    - **The shower door hardware and glass should be inspected periodically:**
      - Instruct the homeowner how to perform a periodic inspection of the shower hardware and glass - some minor adjustments may be necessary based upon the use (or misuse) of the shower door. Ensure that the hardware remains tight and that the door alignment and operation are correct. Any adjustments should be made upon discovery to prevent damage to the product.
      - Additional considerations should be given to the installation of frameless tempered glass products in households with young children or an elderly person due to an increased chance of improper handling. In such cases, alternatives such as shower curtains or grab bars should be considered.

## GENERAL PREPARATION

- After opening all boxes and packages, read this introduction carefully. Check that all the items are included in the package by marking off the components on the “**Detailed Diagram of Product Components**” page. Examine all boxes and packages for shipping damage. If the unit has been damaged, has a finishing defect, or is missing parts; please contact our Customer Support department within 3 business days of the delivery date. **Please note that DreamLine® will not replace any damaged products or missing parts free of charge after 3 business days or if the product has been installed.** Please contact DreamLine® if you have any questions.
- **Please note that you should refer to your local building codes with questions on installation compliance standards. Building and plumbing codes may vary by location, and DreamLine® is not responsible for code compliance standards for your project and will not accept any returns.**
- If this unit is going to be installed in a new construction, install all the required plumbing and drainage before installing the shower. **Use a competent and licensed (if required by local code) plumber for all plumbing installation.**
- Make sure that prior to beginning the installation, the surfaces are leveled and solid and will be able to support the total weight of the unit. Also make sure the walls are at right angles. Irregular installation surface level, radius corners or improper angle of side walls will result in serious problems for your installation. Please note that some adjustments and drilling will be necessary during the installation process.
- Protect all primary surfaces of the product during installation. Never set your glass down directly onto a tile floor. Leave corner protectors in place until it is necessary to remove them. Always use a piece of wood or cardboard to protect the bottom edge and corners of the glass prior to and during installation.
- This unit must be installed upon a finished threshold and against finished walls.
- *DreamLine® shower doors are not designed to be installed into a fiberglass surround due to the radius corners and lack of a solid surface to mount the hardware.*

## WARNING: TO AVOID THE RISK OF DAMAGE OR INJURY:

- **Follow all recommendations and requirements as shown in the installation instructions.**
- Perform a thorough inspection of the glass and all parts for any damage prior to installation. Any damage to tempered glass can cause breakage. **Do Not install damaged glass!**
- Do Not install or operate a shower or tub door if the glass has chipped corners, slivered edges or is otherwise damaged. Do Not install or operate a shower or tub door that has been dropped or banged into a hard surface such as tile, marble or glass.
- **CAUTION:** Contact with any hard surface can damage tempered glass and cause it to shatter.
- This product uses tempered glass. Glass cannot be cut after it has been tempered. **Do Not attempt to cut tempered glass.**
- DreamLine® Glass Shower doors, Tub doors, Inline panels, and Return panels can shatter due to improper handling or lack of maintenance. Conduct periodic inspections of glass and all parts for possible damage, missing or loose parts.
- Always wear proper safety equipment such as: safety goggles, work gloves and appropriate footwear during the installation process.
- **WARNING. Risk of leakage and/or damage.** Follow all instructions regarding the application of silicone sealant or caulk. Allow 24 hours for the sealant to cure before the initial use of the shower or tub product. Follow the silicone manufacturer's recommendations regarding the use of their product.
- **Thoroughly read these instructions before installing or using this product.**
- **Leave this manual for the end-user of the product.**

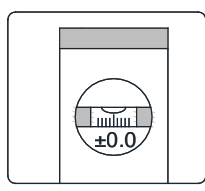


This product should be installed by someone familiar with the construction requirements for this type of product and the care necessary for the safe installation and operation of the product.

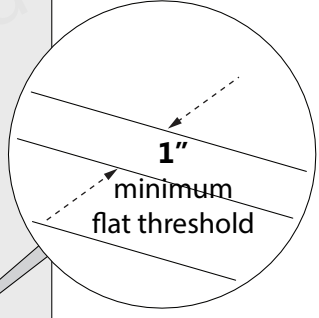
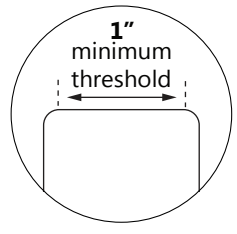
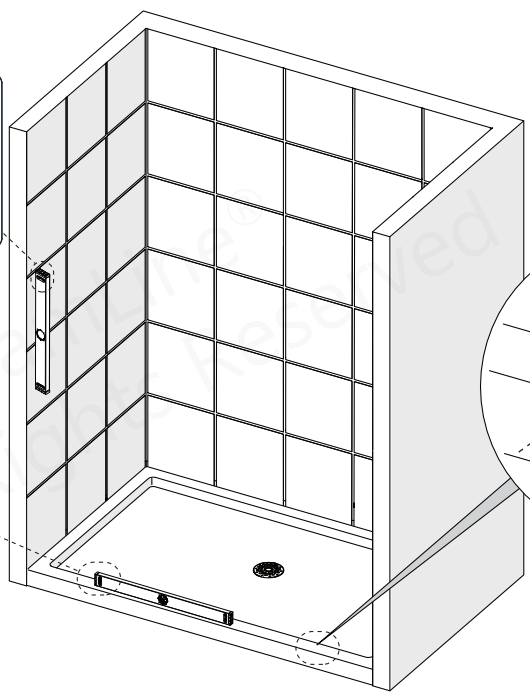
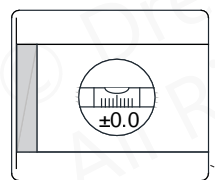
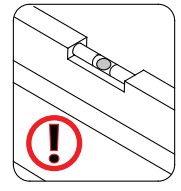


# Model Specific Preparation

**1" Out-of-Plumb Adjustment; Verify threshold and walls with a level**

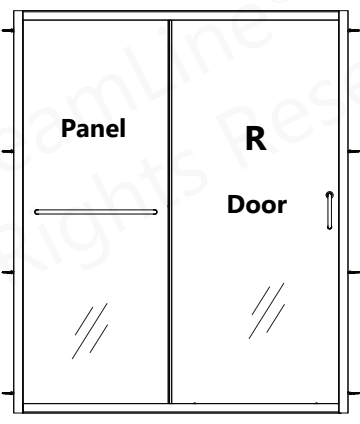
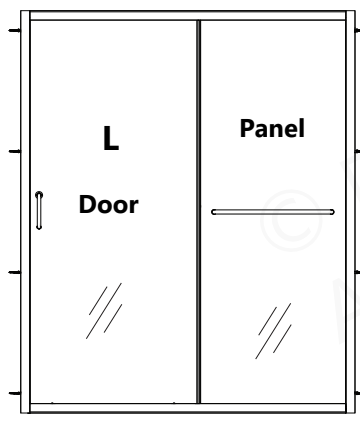
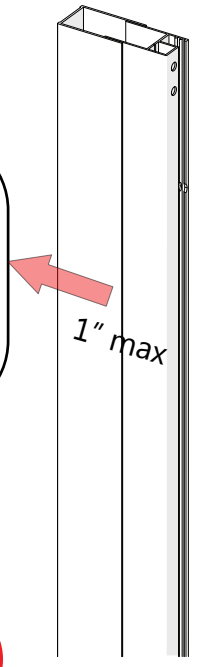


**Threshold must be level**



**DO NOT** attach the handle and/or towel bar to the glass until instructed to do so.  
**DO NOT** attempt to use the handle/towel bar to lift the glass during installation. This may result in damage to the glass and/or serious injury. Always use a professional grade glass suction cup and an assistant.

This model's wall profile system allows for up to 1" of adjustment for Out-of-Plumb wall conditions and overall width within the model size when placed into the finished opening. For more information, see the Adjustment Wall Profile System on page 4.



For models with **Frosted** glass, install the textured (Frosted) surface facing **towards** the **outside** of the shower.

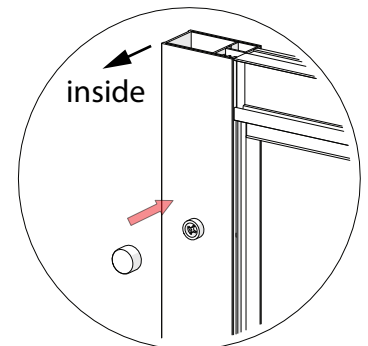
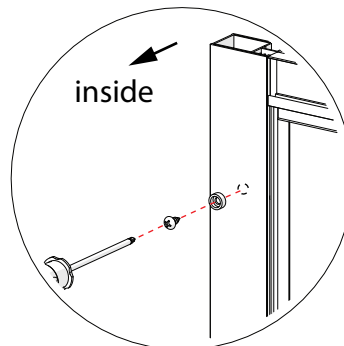
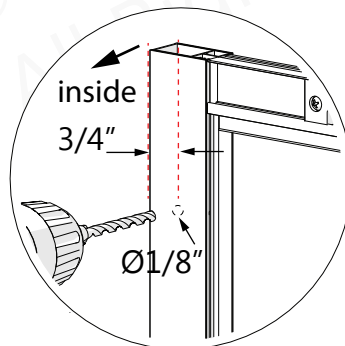
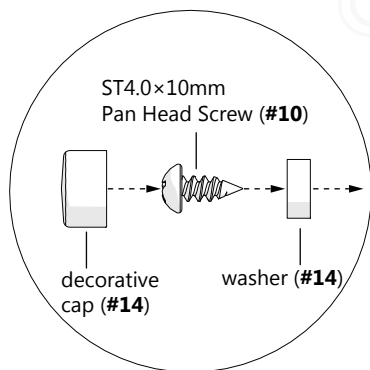
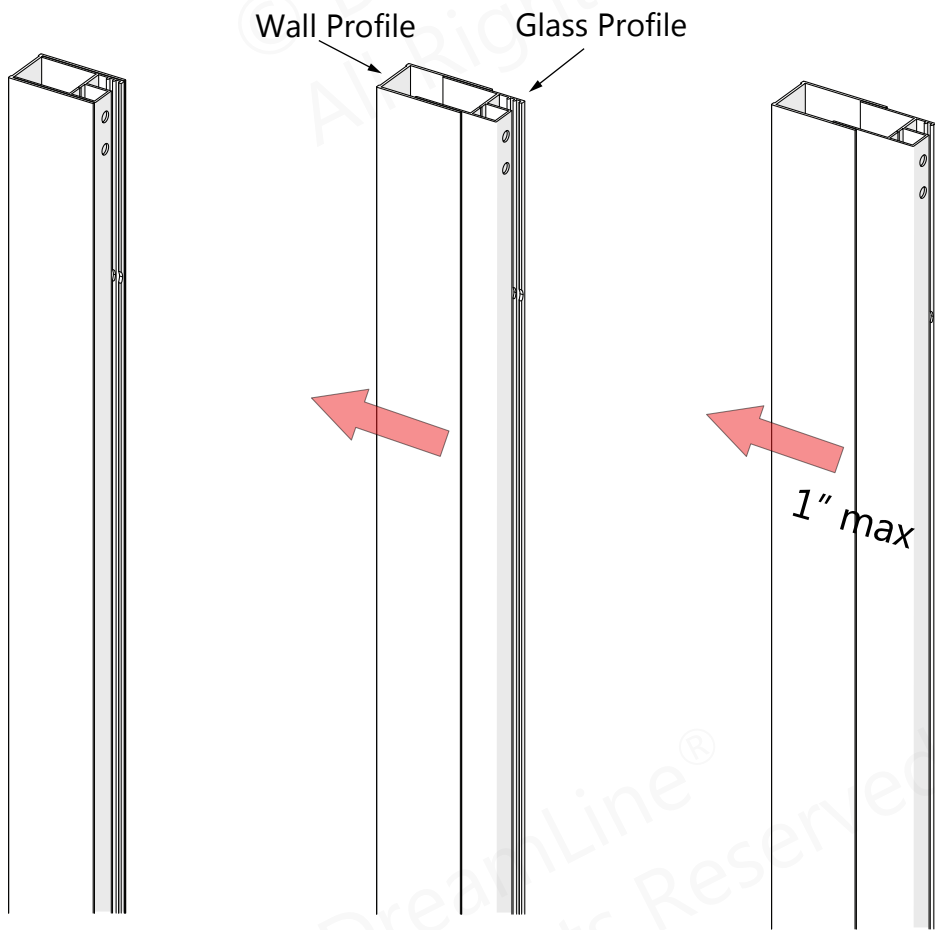
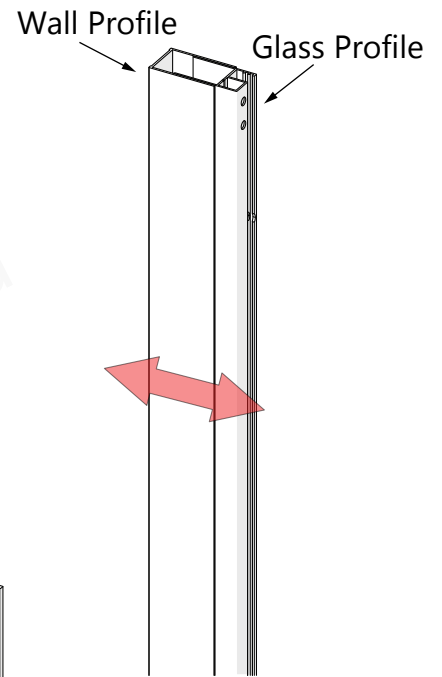


**This door is reversible for right or left-hand door installation. The left-hand door installation is shown as an example throughout this manual. For the right-hand door installation, flip the assembly from top to bottom so that the panel is on the right side.**

# Adjustable Wall Profile System



The Glass Profiles can be adjusted within the Wall Profiles for overall width or to correct for out-of-plumb conditions within the model size. Screw them together after making final adjustments.

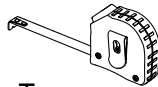




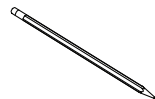
## Tools



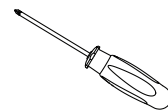
Level



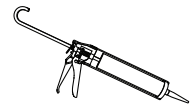
Tape Measure



Pencil



Phillips Screwdriver



Silicone



Drill Bit  
Ø5/16"  
(8mm)



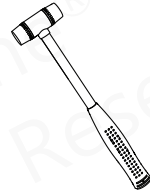
Drill Bit  
Ø3/16"  
(4mm)



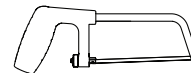
Drill Bit  
Ø1/8"  
(3mm)



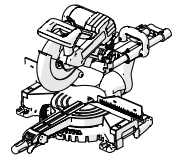
Power Drill



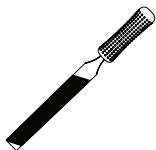
Soft Head Hammer



Hacksaw



Mitre Saw



Metal File



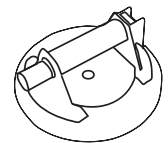
Extender Driver Bit



Safety Glasses



Work Gloves



Professional-grade  
Glass suction cup



To be sure that the correct model size has been ordered, measure the finished opening before proceeding with the installation.

Cover the shower/tub drain with tape prior to installation to prevent the loss of screws or small parts.

To prevent stripping the screw heads, set power drill to a low setting when installing screws.

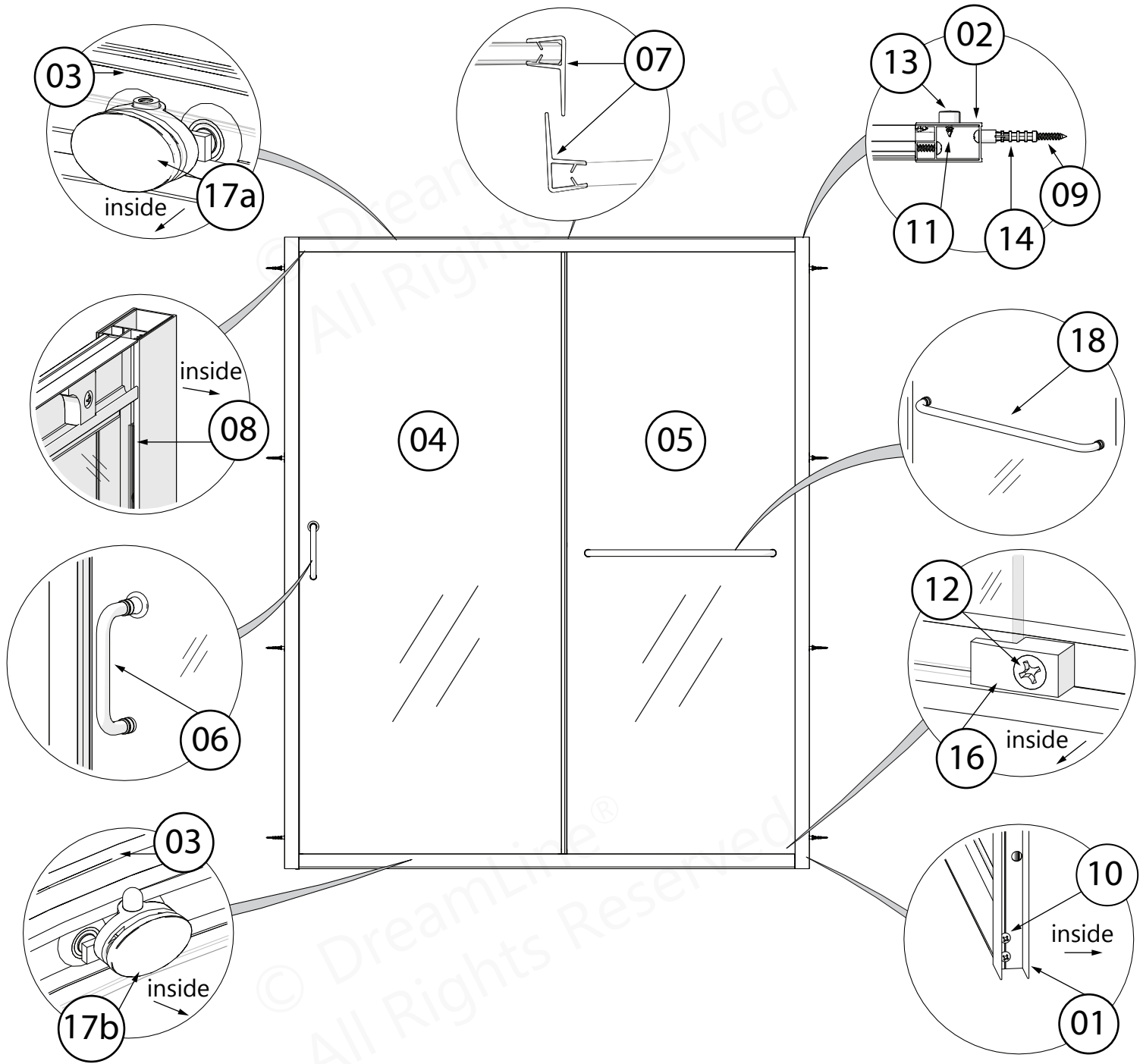
### NOTE

Unpack your unit carefully and inspect it. Lay it out and identify all parts using the **Detailed Diagram** on **page 6** and the included packing list in this manual as a reference. Before discarding the carton, check for small hardware bags that may have fallen to the bottom of the box. If any parts are damaged or missing, please contact DreamLine® for replacement. The shipping boxes may contain extra parts not used in your model configuration.

### NOTE

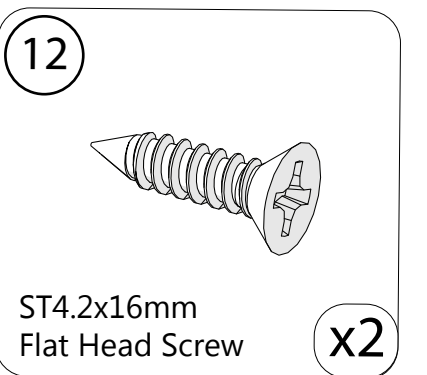
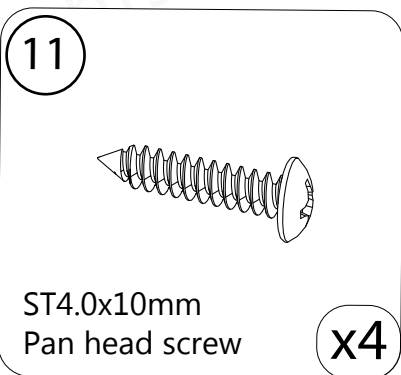
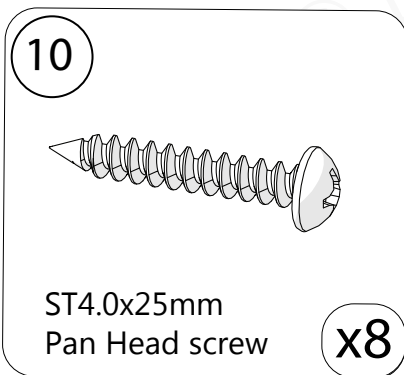
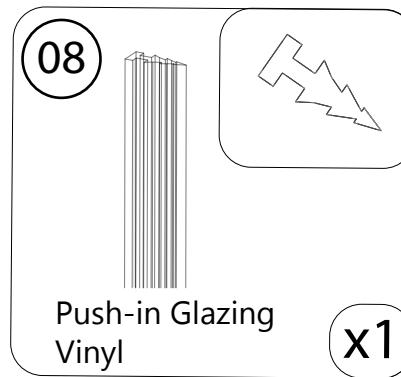
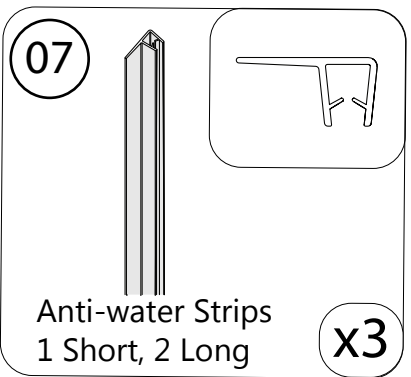
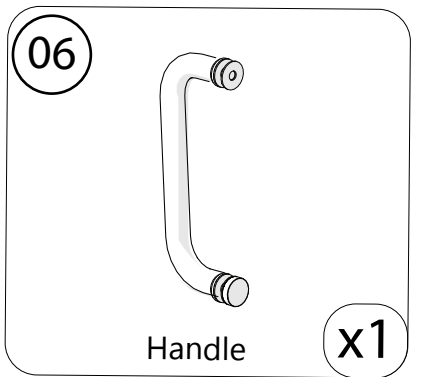
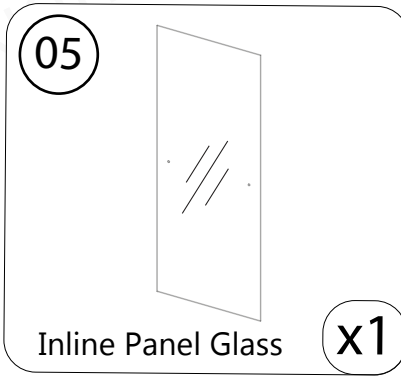
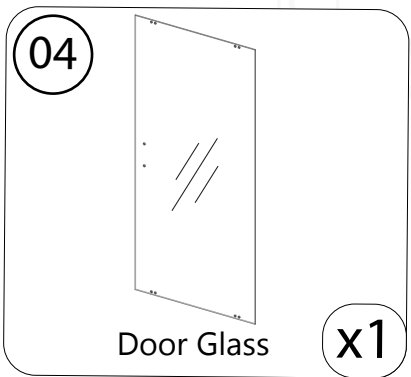
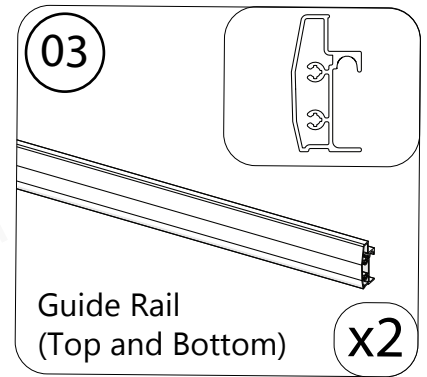
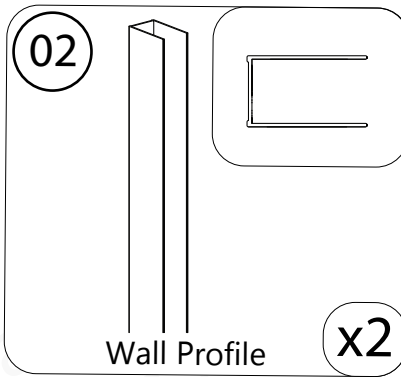
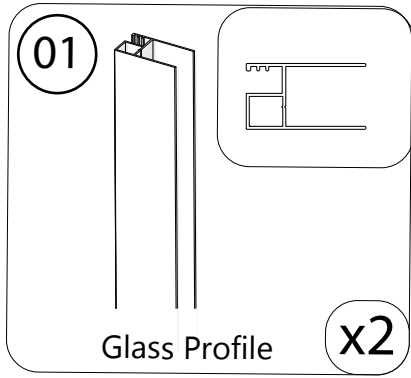
Retain these installation instructions for future reference.

# Detailed Diagram of Shower Door Components

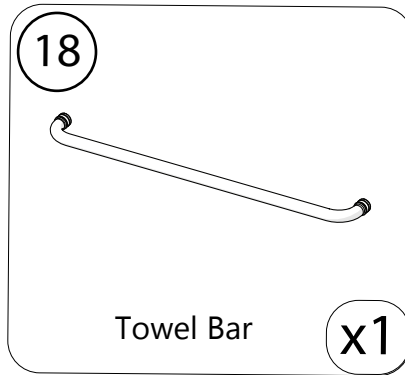
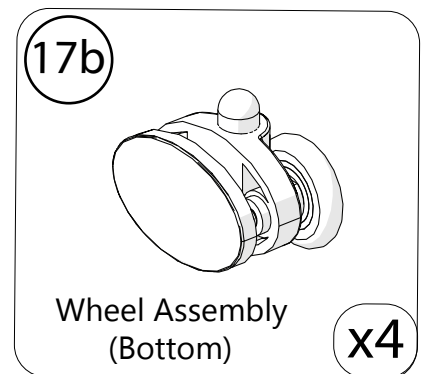
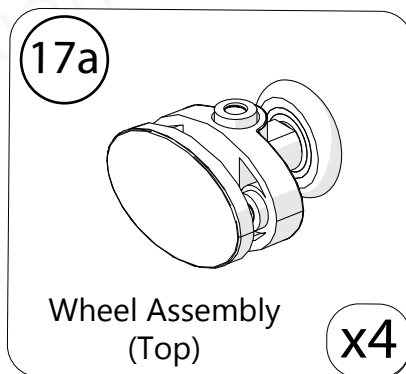
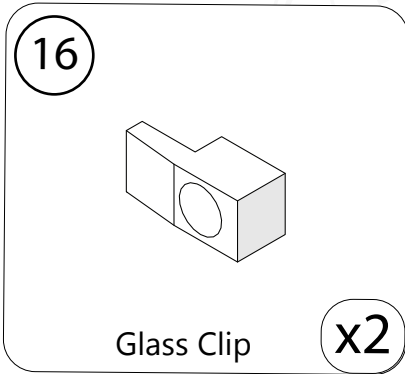
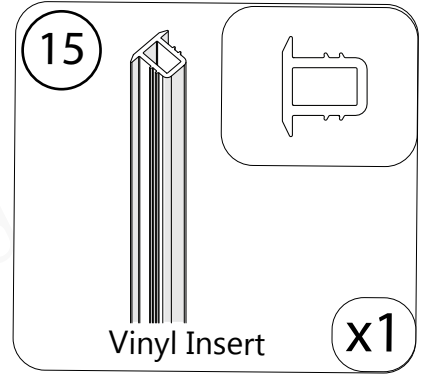
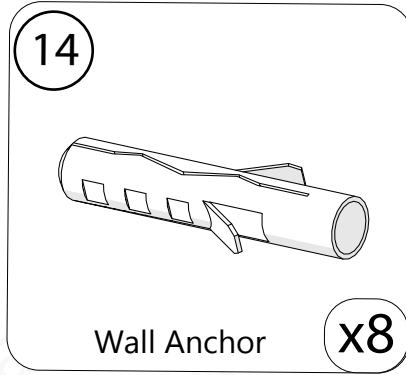
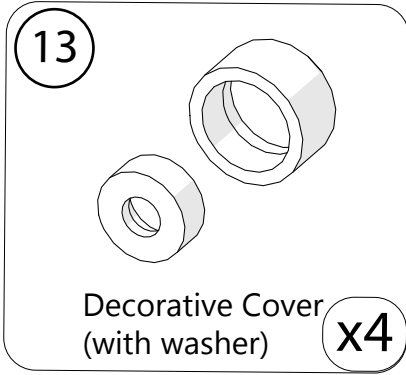


Left-hand door installation shown\*

# Parts List



# Parts List



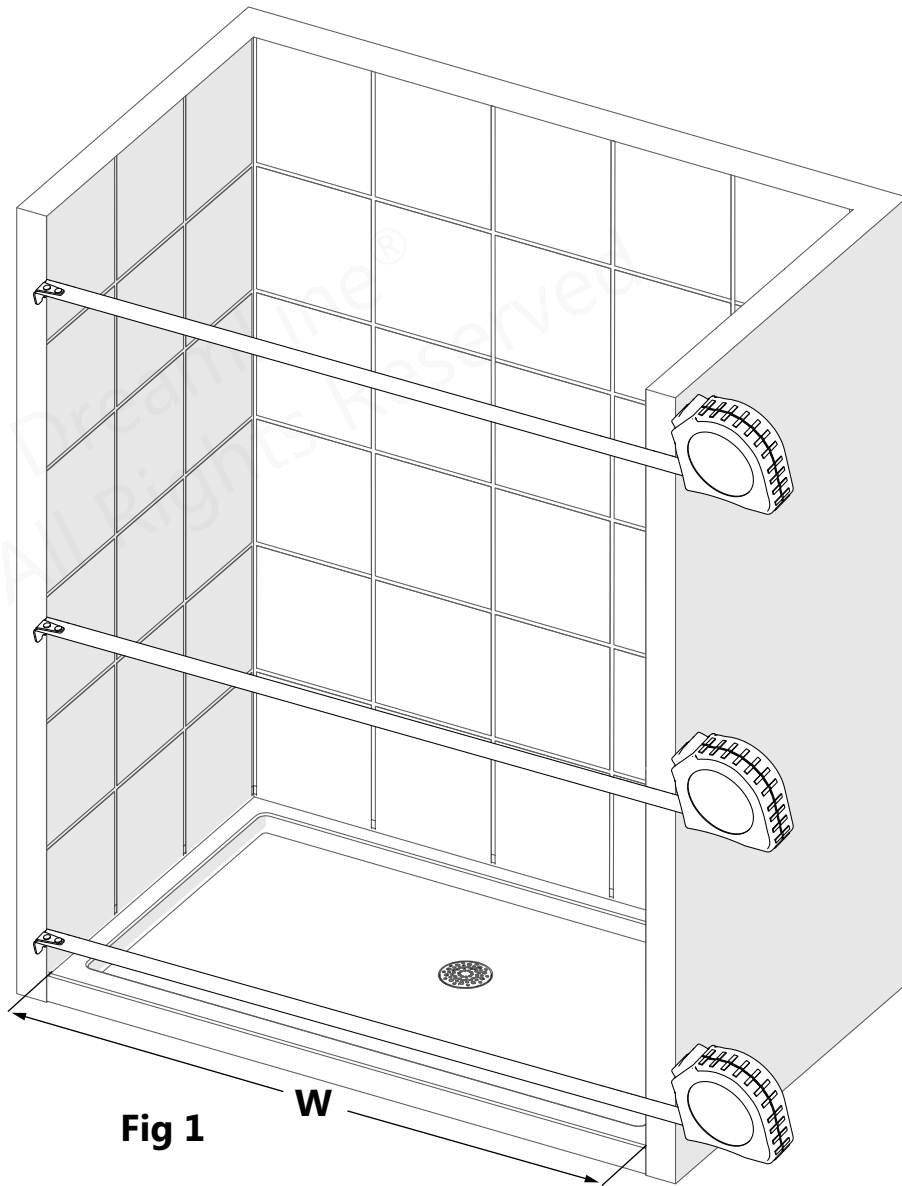
**1**

# Installation Steps

Top  
\*at model height  
\_\_\_\_\_ "

Middle  
\_\_\_\_\_ "

Bottom  
\_\_\_\_\_ "



**Fig 1**

W



Use the **smallest** measurement from Fig 1 to determine the finished cut length of the **Guide Rails (#03)**.

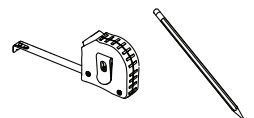


The **Top** and **Bottom Guide Rails (#03)** are shorter than the model size by design. They have been precut for the model width and are designed to fit between the wall profiles, (not wall-to-wall). See Table A below.

**Table A**

Model Size	Precut Rail Length
48" (for shower)	44-5/8"
54" (for shower)	50-5/8"
60" (for shower)	56-5/8"
60" (for tub)	56-5/8"

**Tools Needed**



2



**Cut the Top and Bottom Guide Rails (#03) from the Door End only**, (which is the end farthest from the Glass Clip hole) and cut each rail to the same length (D) from the same end.

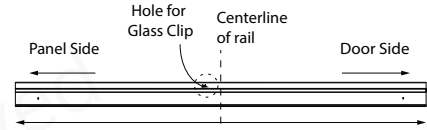


Table B

Model Size	Distance from the Glass Bracket Hole to the:	
	Panel Side	Door Side
48" model	21-3/8"	23-1/4"
54" model	23-7/8"	26-5/8"
60" model	26-7/8"	29-3/4"

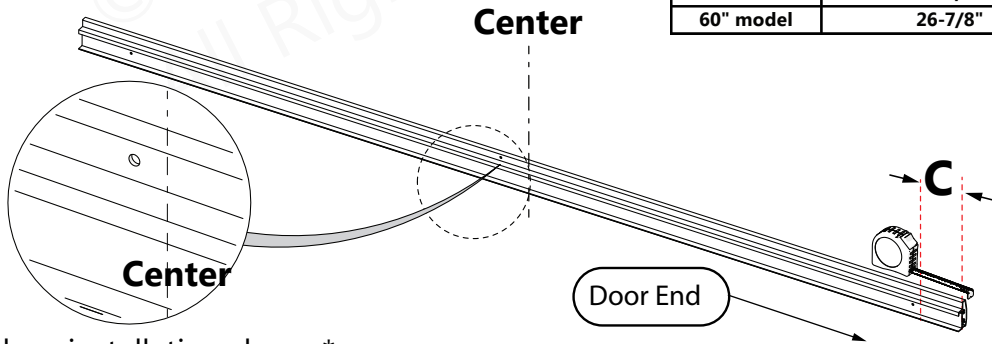


Fig 2a

Left-hand door installation shown\*

**CUTTING FORMULA: FINISHED OPENING - 3-3/8" = FINISHED CUT LENGTH "D"**

**DO NOT Cut from the panel end!**

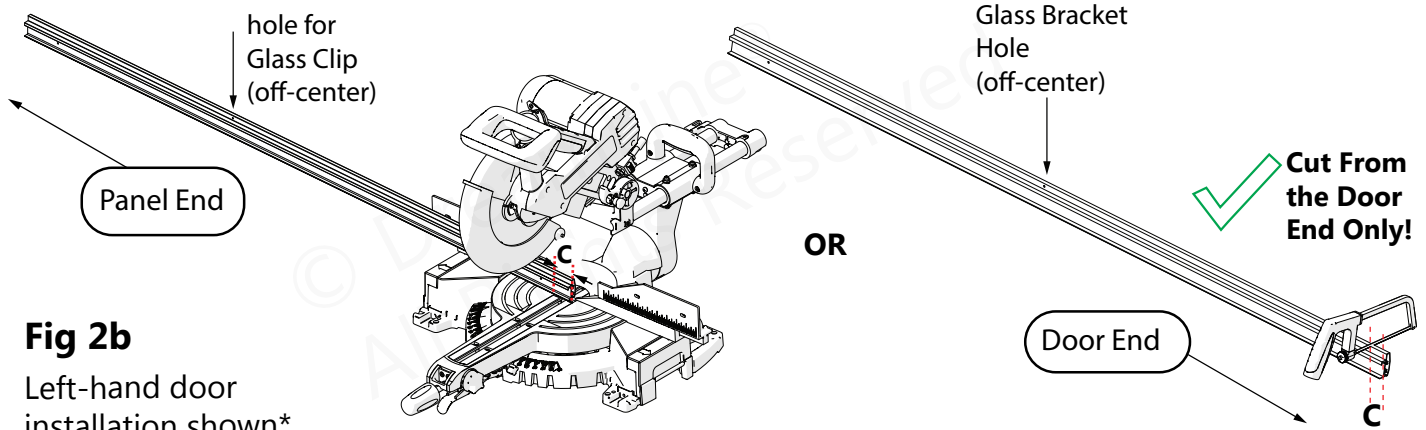
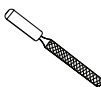
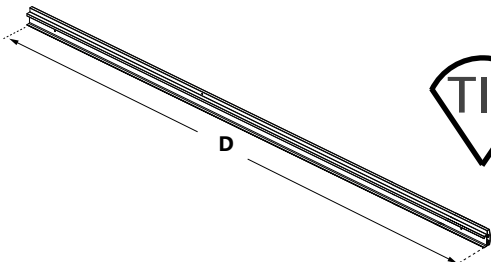


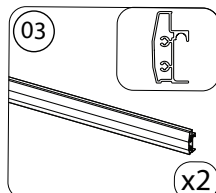
Fig 2b

Left-hand door installation shown\*

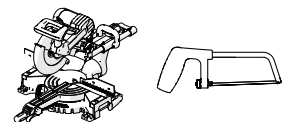


Use a metal file to deburr the cut end

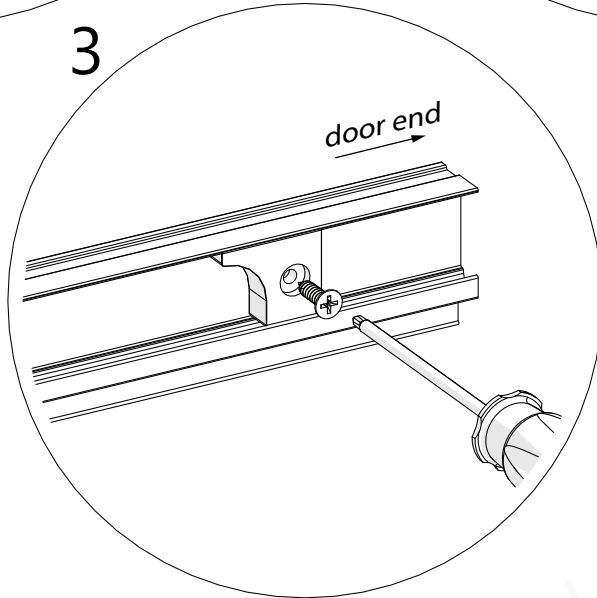
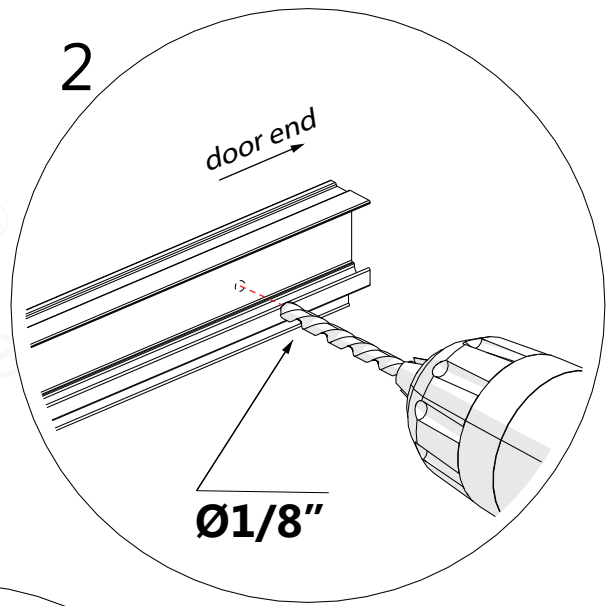
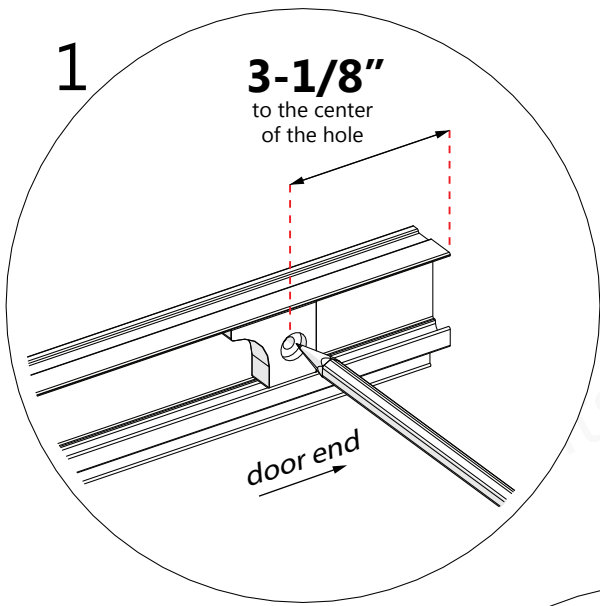
Parts Needed



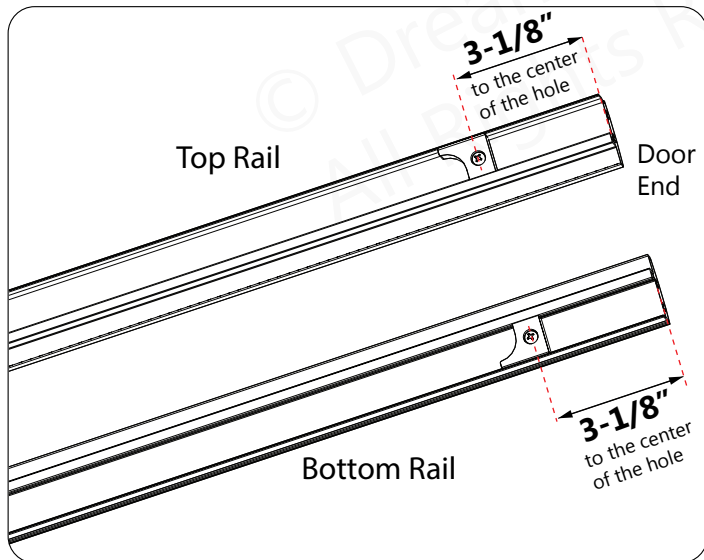
Tools Needed



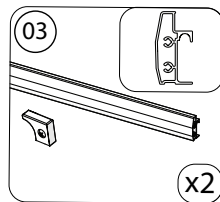
**3**



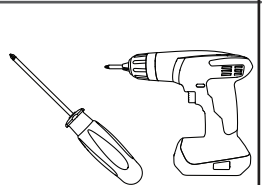
**Fig 3**



**Parts Needed**



**Tools Needed**



4

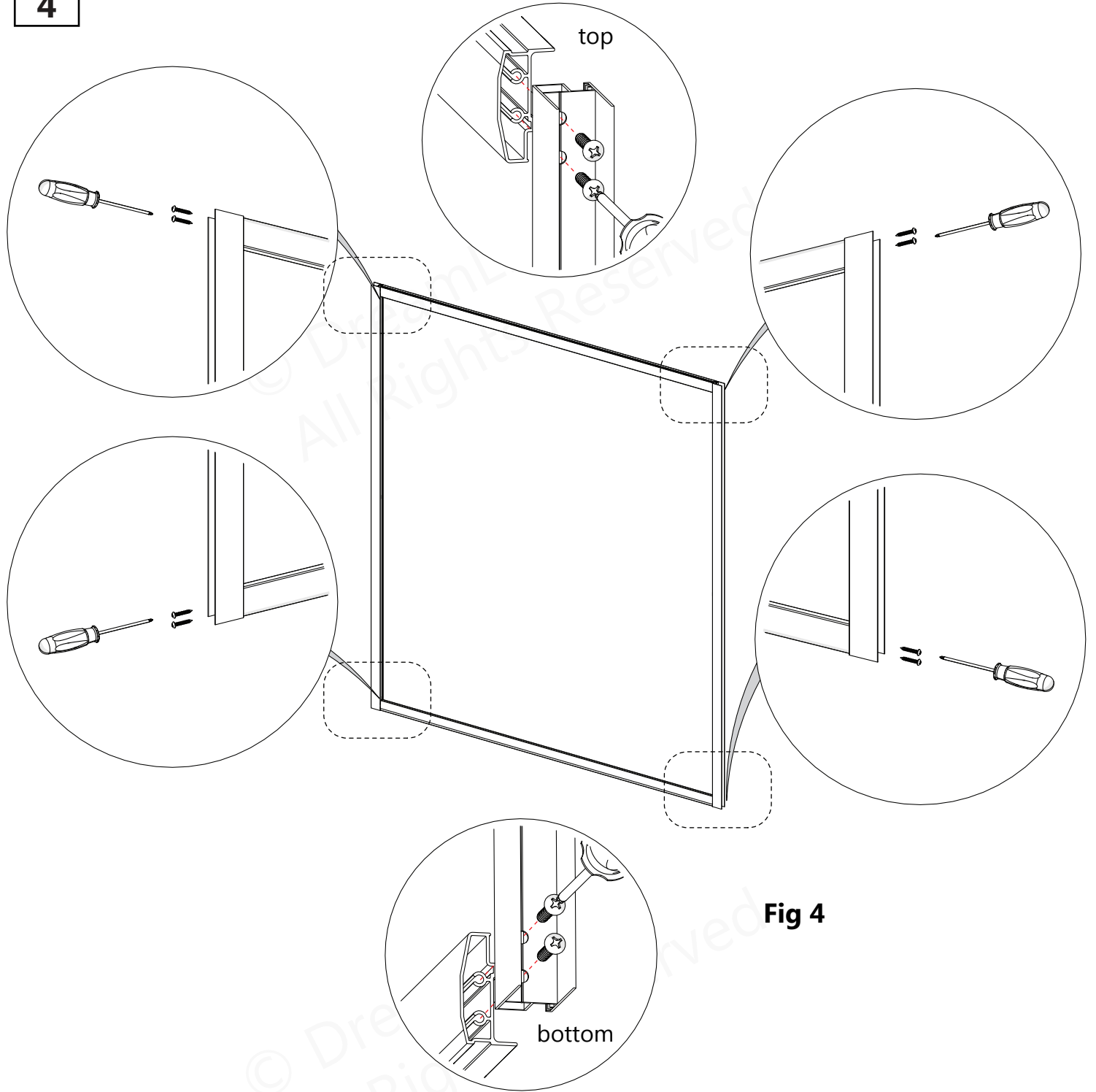


Fig 4



For ease of installation: Add liquid soap, wax, or lubricant to the screws prior to attaching the **Glass Profiles (#01)** to the **Guide Rails (#03)**.  
Use a low setting on the screw gun to prevent stripping the screws.

Parts Needed

Tools Needed

<p>01</p> <p>x2</p>	<p>03</p> <p>x2</p>	<p>10</p> <p>x8</p>
---------------------	---------------------	---------------------



5

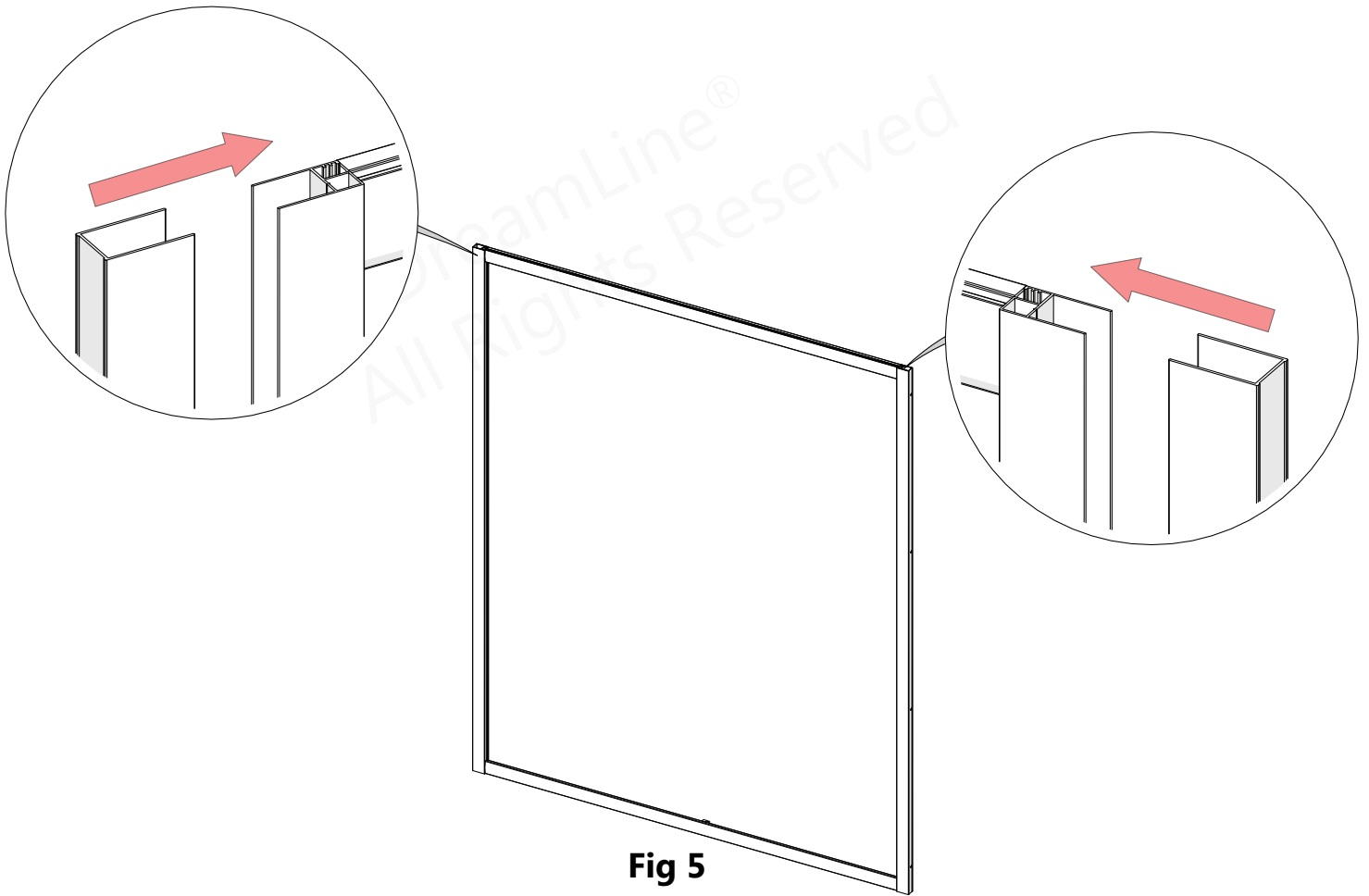
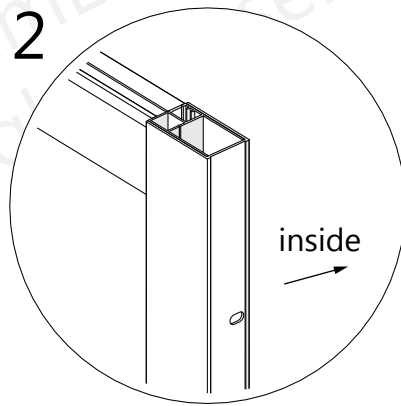
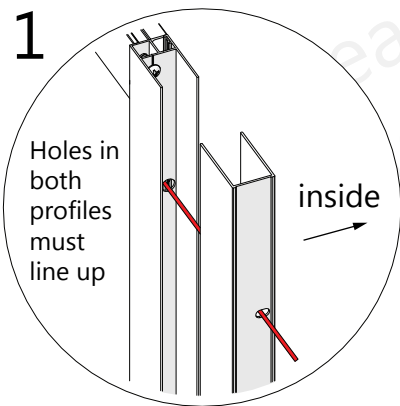
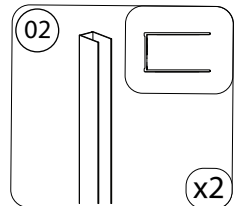


Fig 5



The holes in the **Wall Profiles (#02)** are off-center, and must line up with the corresponding holes in the **Glass Profiles (#01)**.

**Parts Needed**



6



At this step, decide on the handing of the door and panel prior to placing the assembly into the opening to mark the location of the holes for drilling. Flip the assembly so that the **Inline Panel Glass (#06)** will be installed on the desired side of the opening.

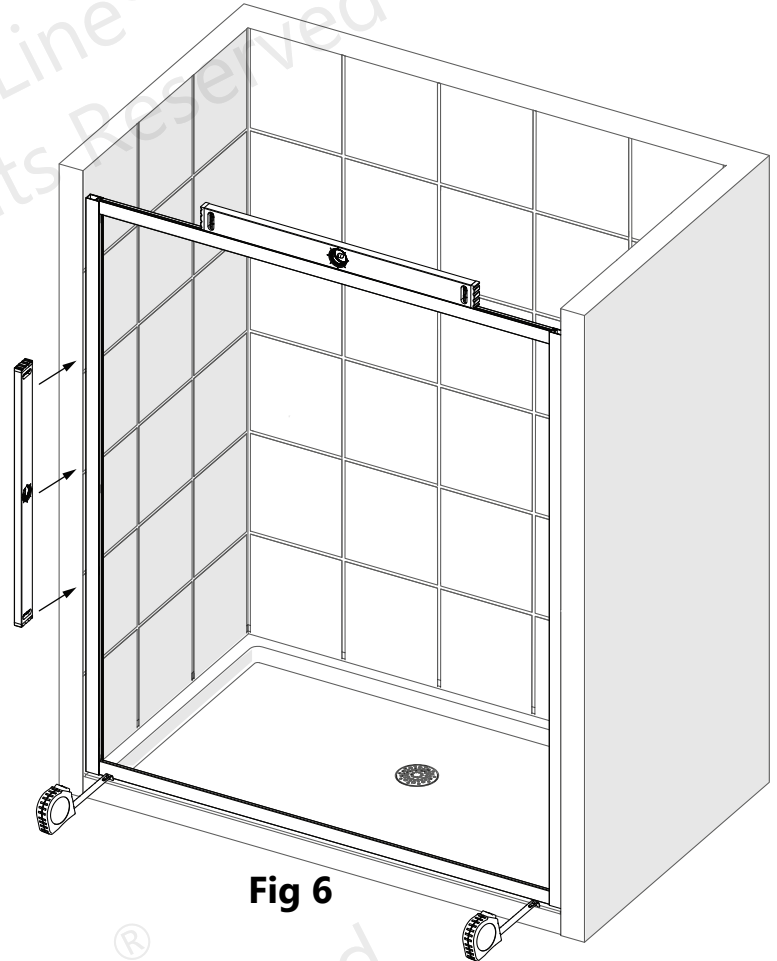
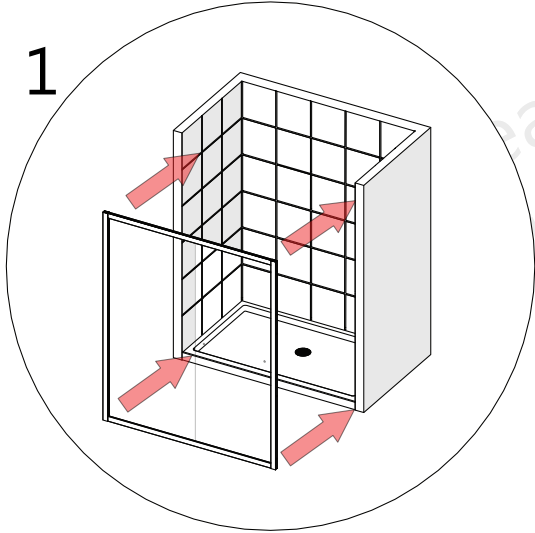
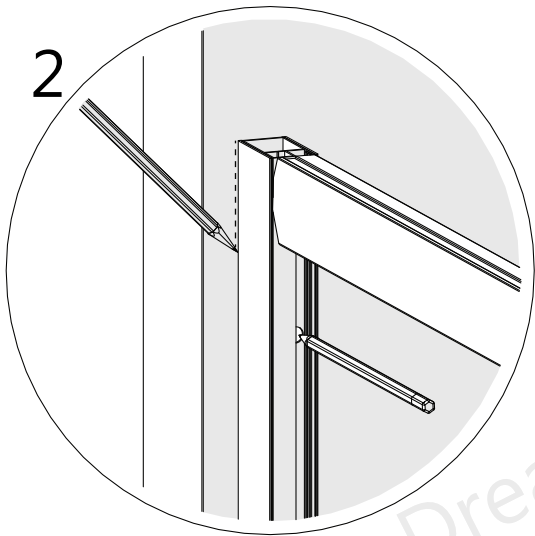
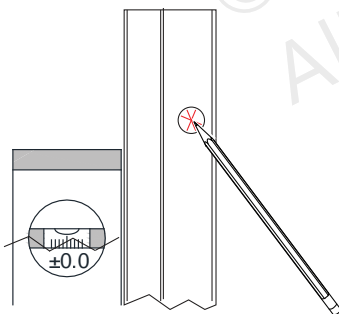


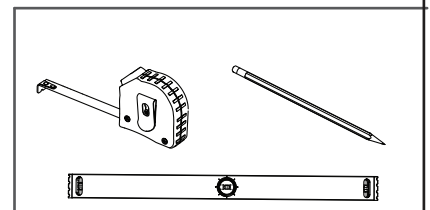
Fig 6



Before marking the holes for drilling, confirm the assembled frame is tight to the threshold, the **Wall Profiles(#02)** are tight to the walls and the frame is level and plumb.



**Tools Needed**



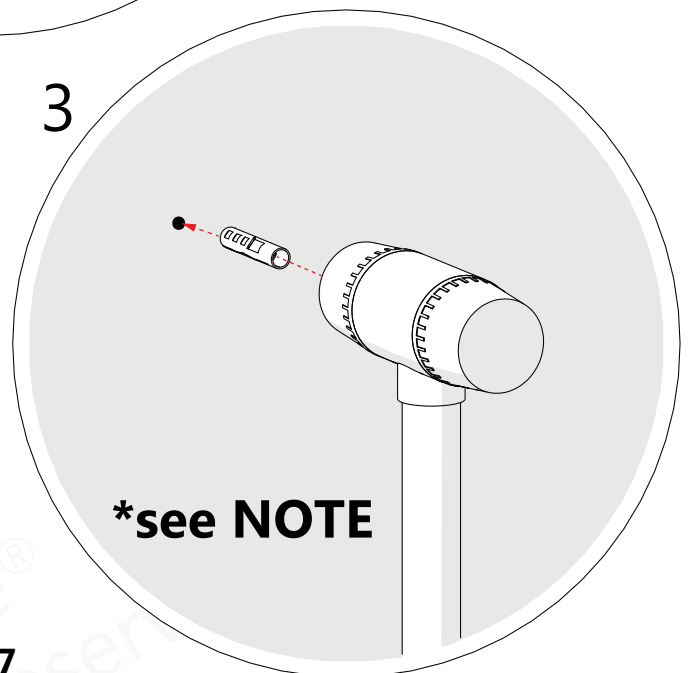
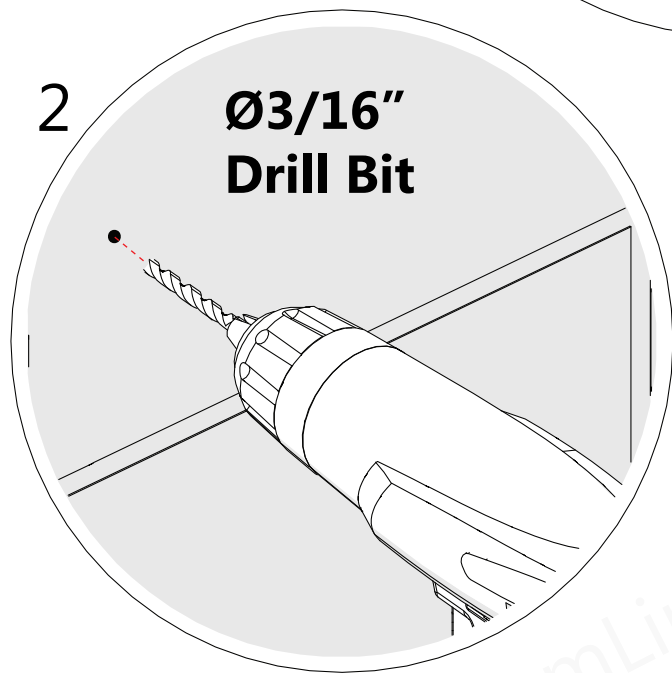
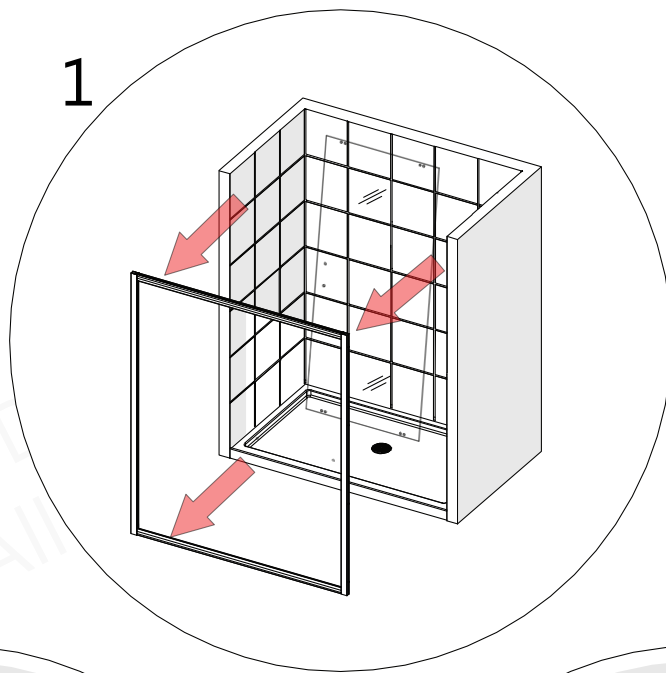
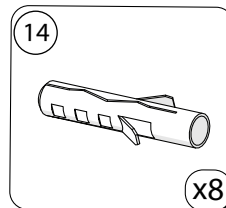


Fig 7

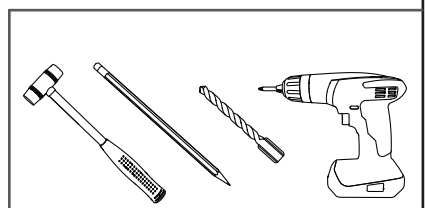


If a stud is present behind the wall, drill a hole using a **Ø3/16"** drill bit and **do not** use wall anchors.  
 If no stud is present, drill the hole using a **Ø5/16"** drill bit and insert **Wall Anchors (#14)** as shown in Fig 7.3.

Parts Needed



Tools Needed



8



Before securing the frame assembly, bring the **Door Glass (#04)** into the shower area and lean it safely against the wall, using padding to protect the glass, walls, and base. Make sure the handle holes on the **Door Glass (#04)** are on the correct side for installation. The **Wheel Assemblies (#17a/17b)** can be attached prior to setting the glass into the shower. (see **Step 11**)

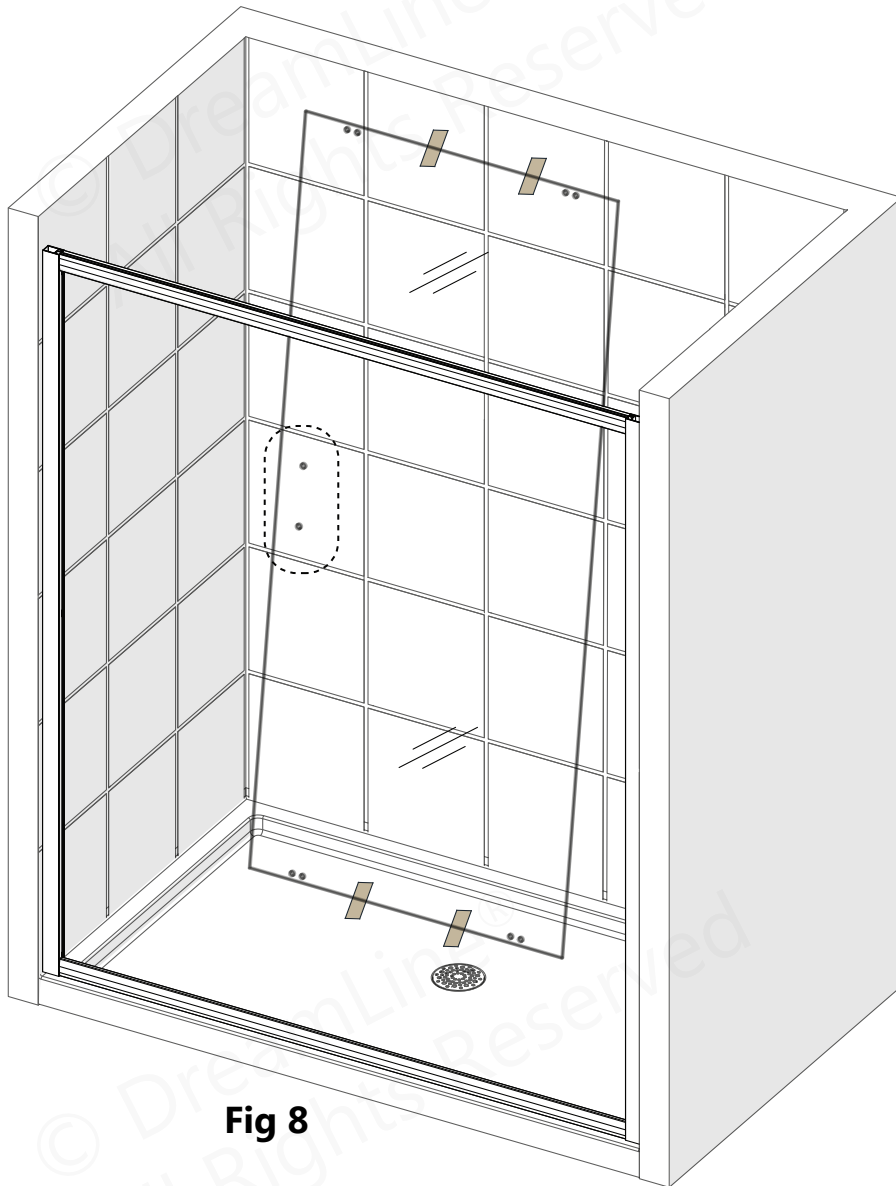
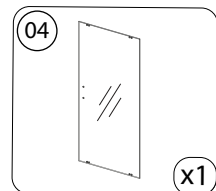


Fig 8

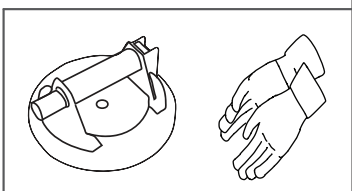


**DO NOT** install the towel bar or handle onto the glass until instructed to do so. **DO NOT** attempt to lift the glass using the towel bar or handle. This could result in damage to the glass and/or serious personal injury. Always use an assistant or a professional grade suction cup when handling heavy glass.

**Parts Needed**



**Tools Needed**



9

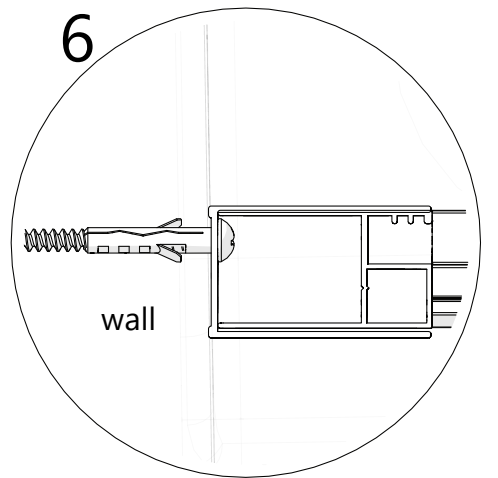
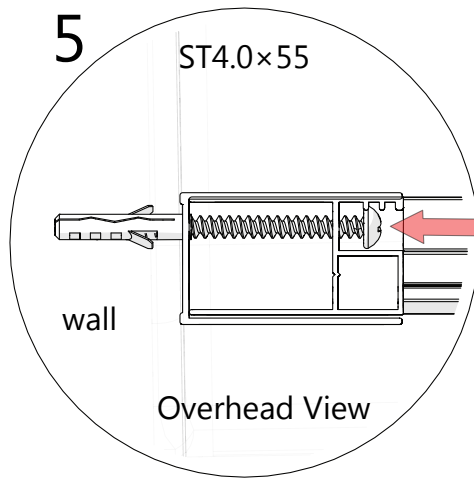
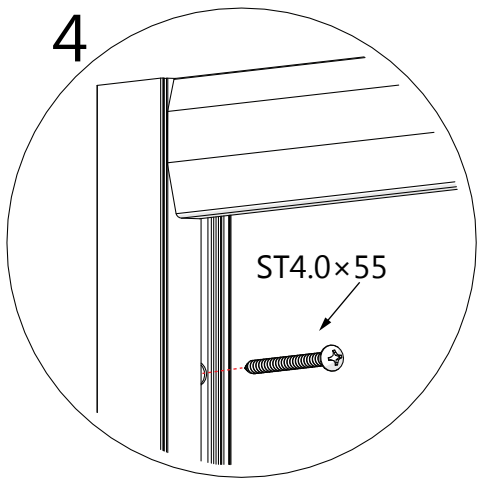
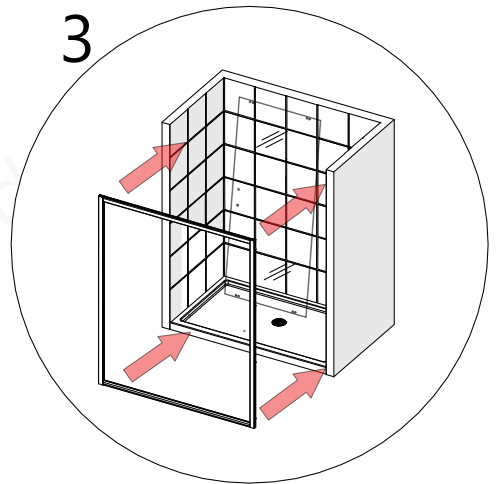
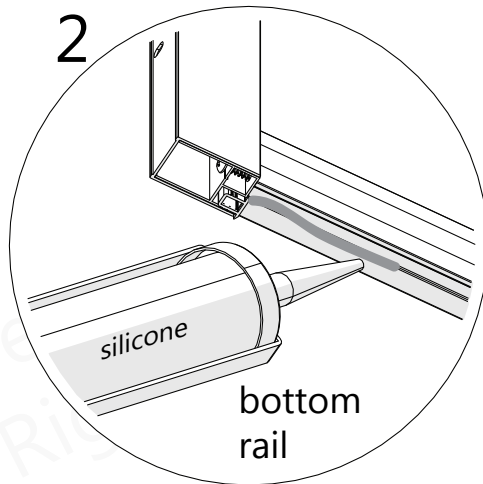
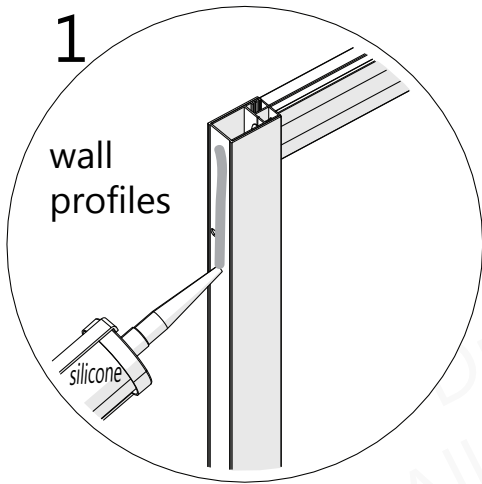



Fig 9

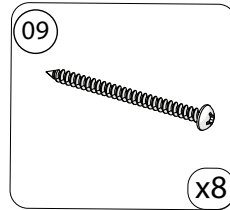


 Extender Driver Bit recommended for the installation of these screws.

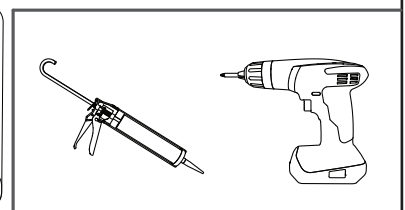


The screwheads on the **ST4.0×55 Pan Head Screws (#09)** will pass through the larger holes in the **Glass Profiles (#01)** and then secure the **Wall Profiles (#02)** to each wall.

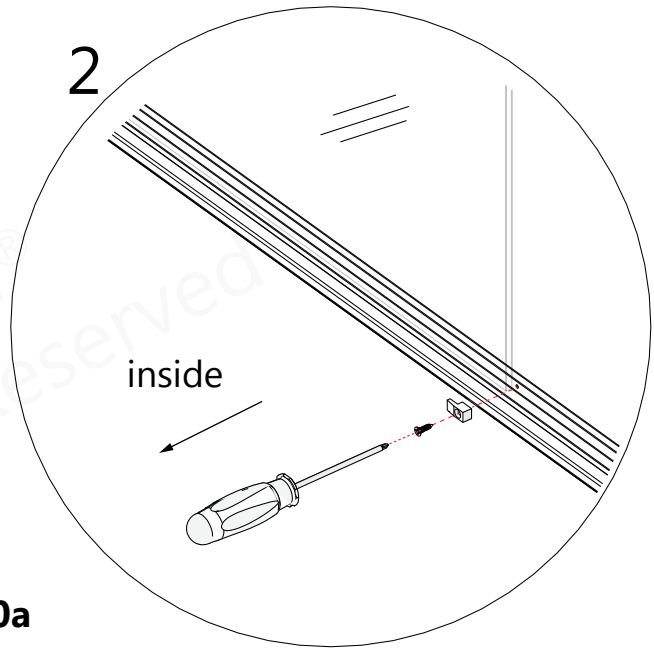
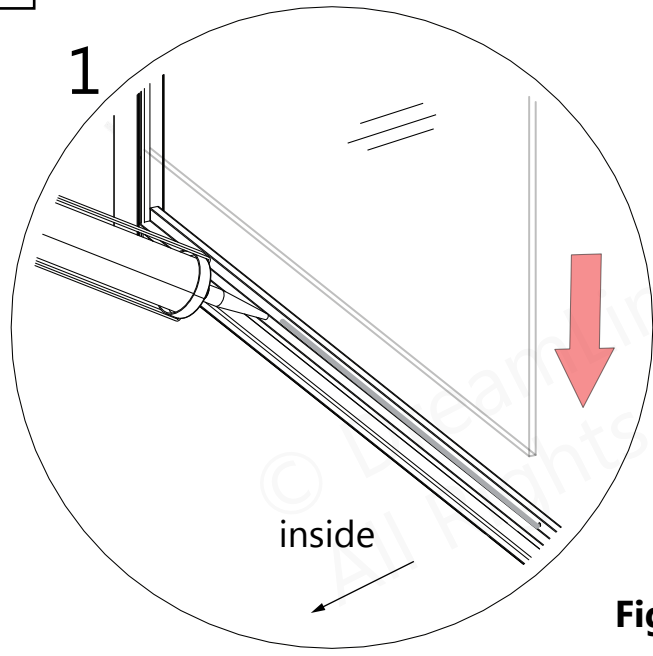
Parts Needed



Tools Needed



**10**



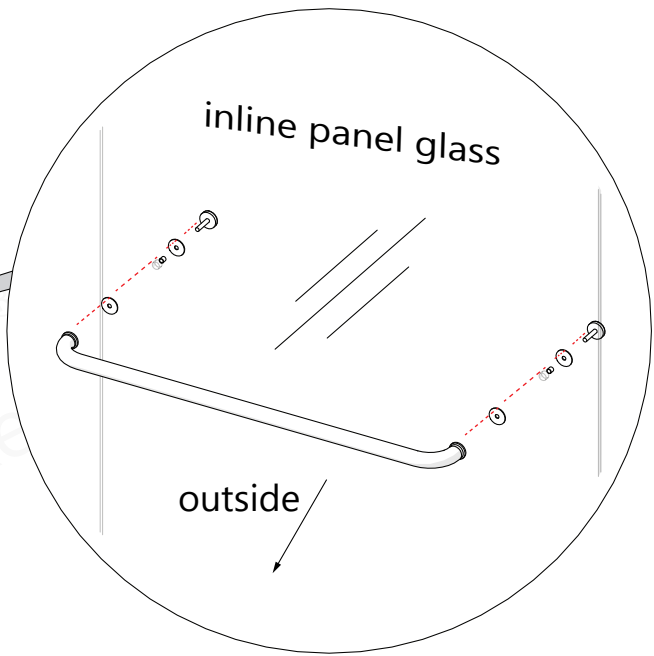
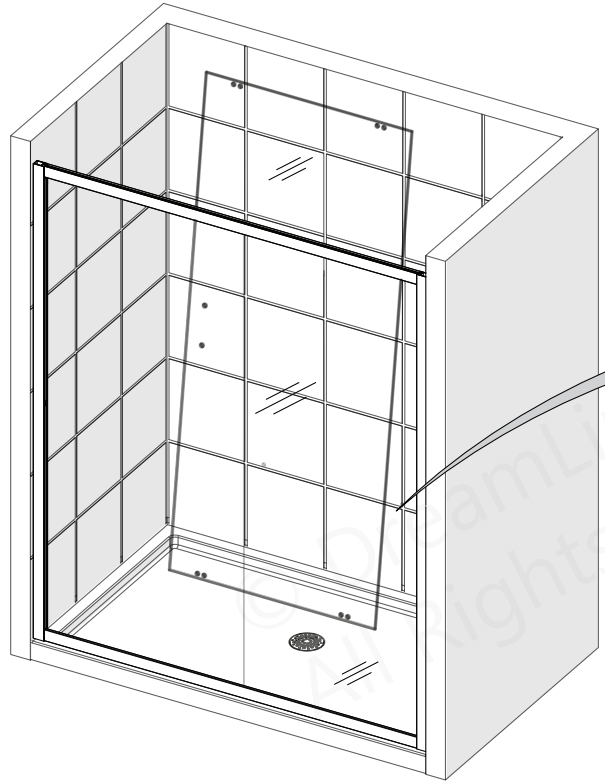
**Fig 10a**



For models with **Frosted** glass, install the textured (Frosted) surface facing **towards** the **outside** of the shower.

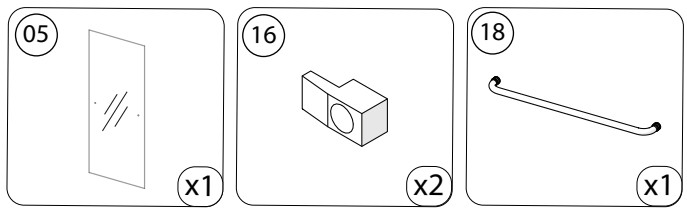


Use caution when installing the **Inline Panel Glass (#05)** into the frame to prevent damage to the edges of the glass.

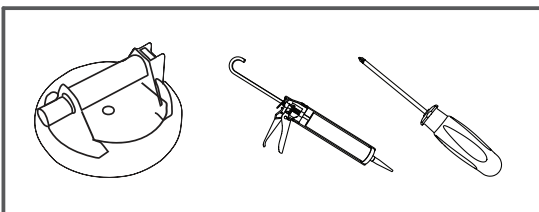


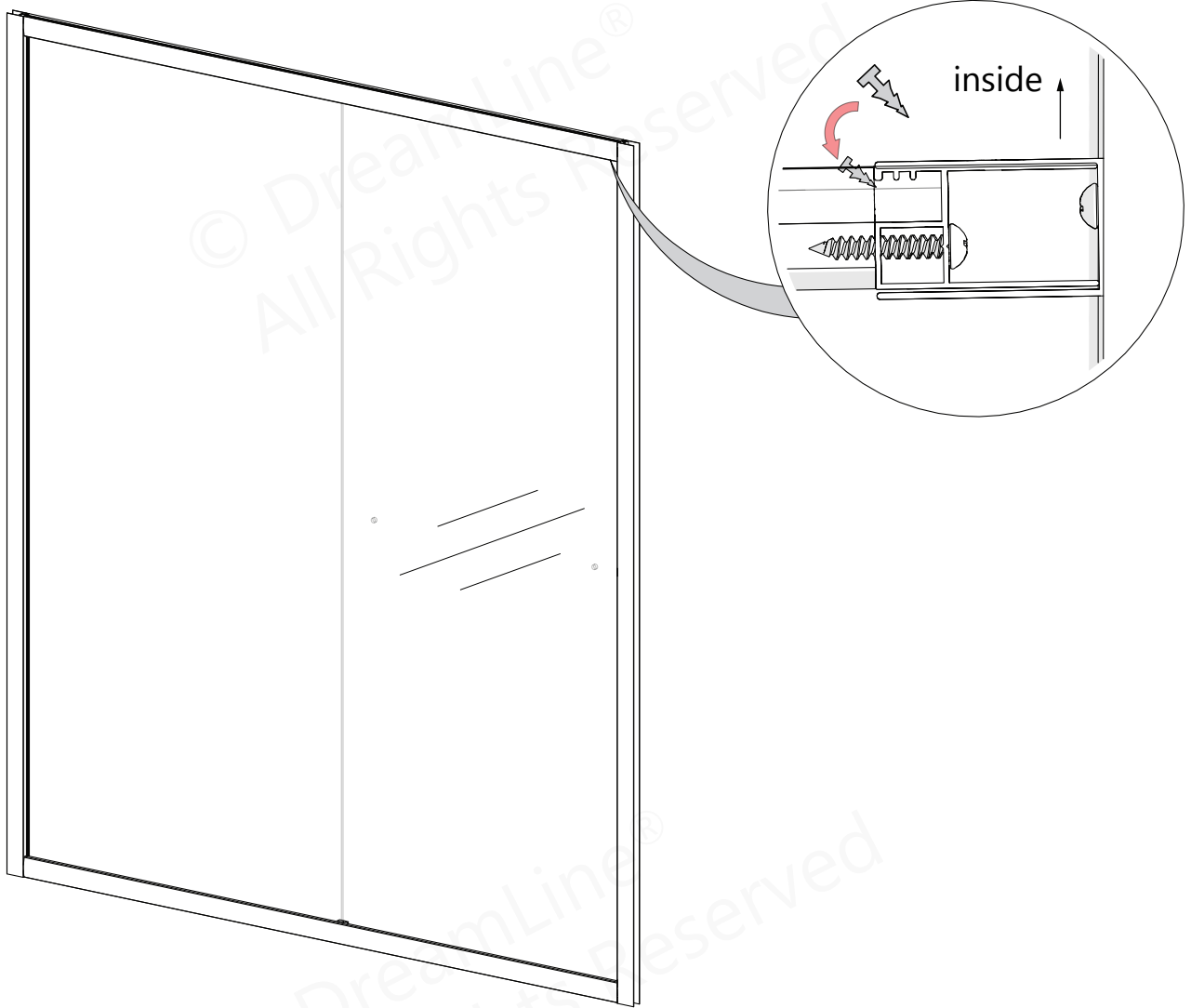
**Fig 10b**

**Parts Needed**



**Tools Needed**





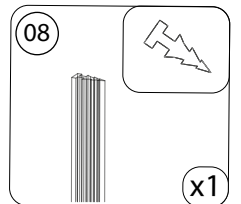
**Fig 11**

\*Right-hand panel installation shown



To prevent scratching or damaging the glass and aluminum, **DO NOT** use a screwdriver or other metal tool to install the **Push-in Glazing Vinyl (#08)**. Use a plastic putty knife or similar if necessary.

**Parts Needed**



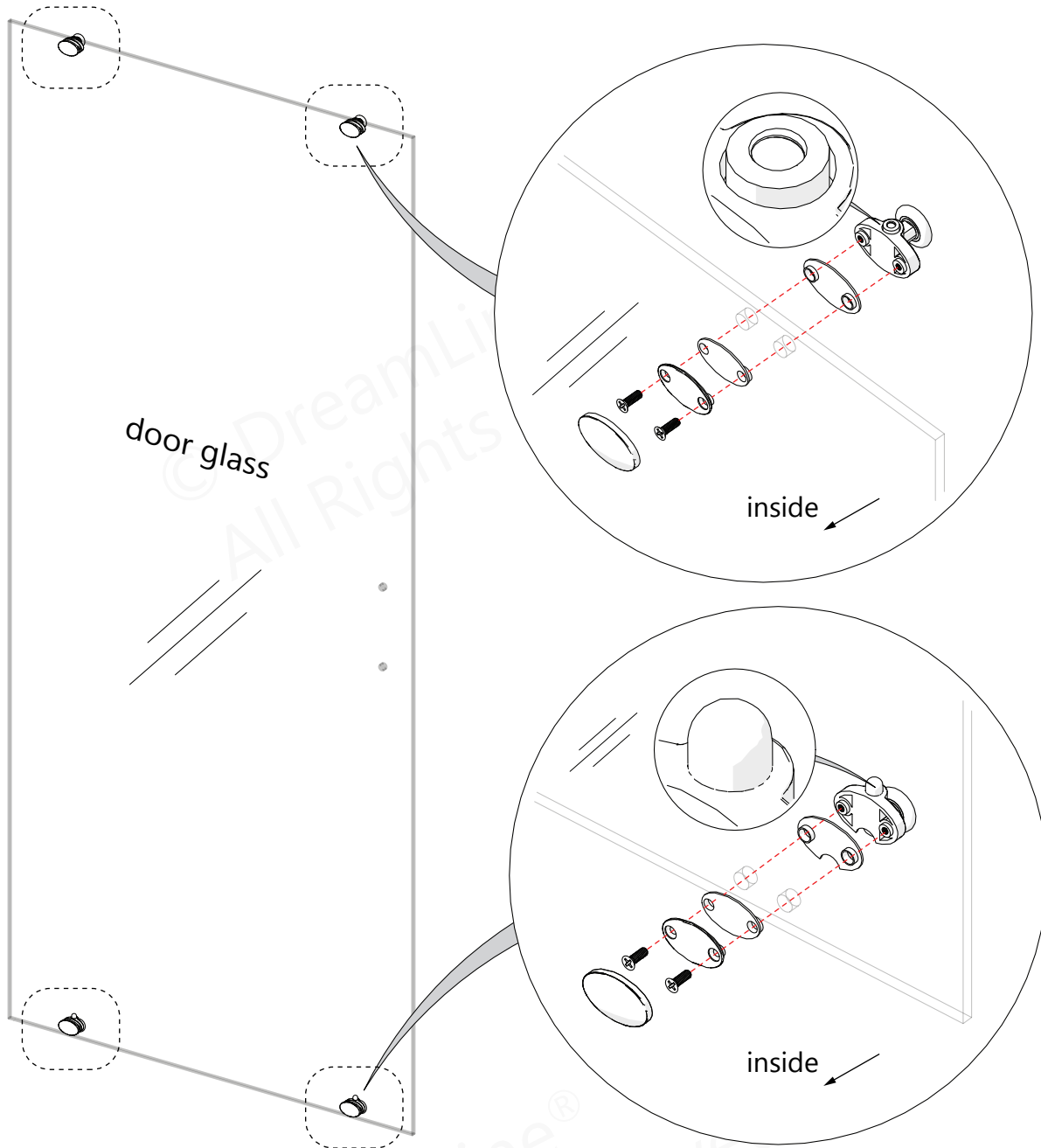


Fig 12

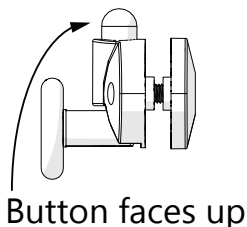
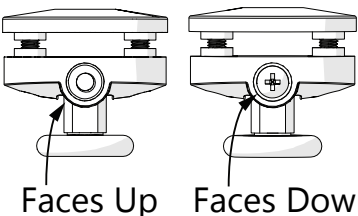
\*Left-hand door installation shown



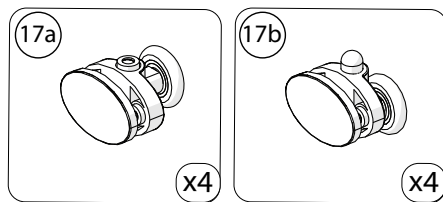
The lock nut on the **Top Roller Assembly (#17a)** and the push-button on the **Bottom Roller Assembly (#17b)** should both be installed pointing up. **DO NOT** overtighten the **Roller Assemblies (#17a/17b)**.

Top Wheels

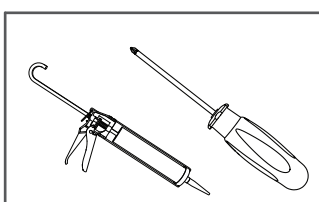
Bottom Wheels



Parts Needed



Tools Needed





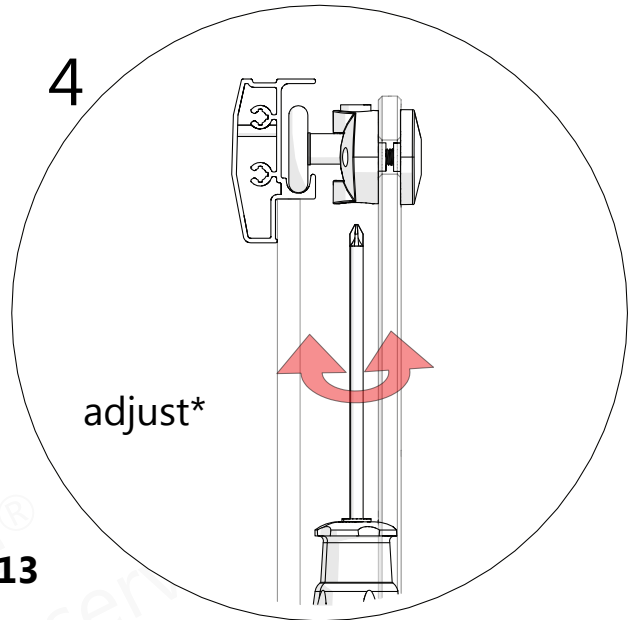
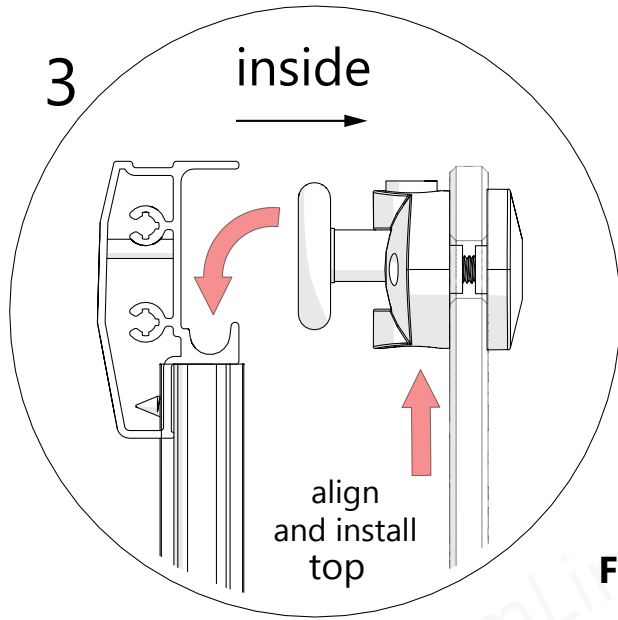
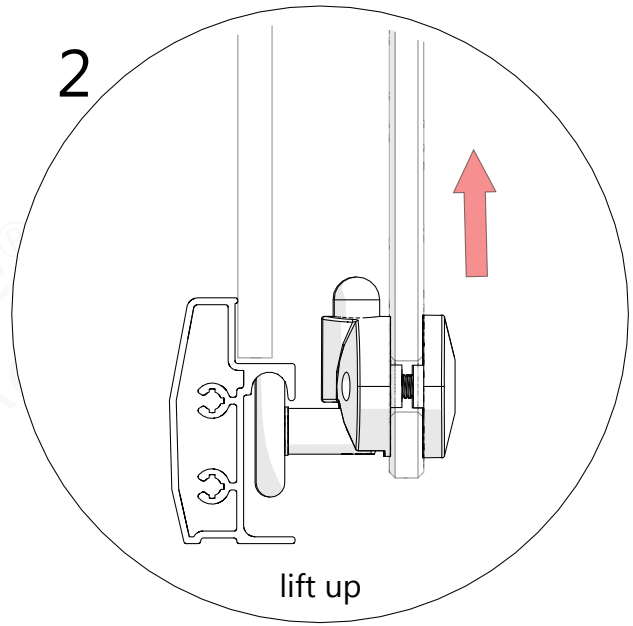
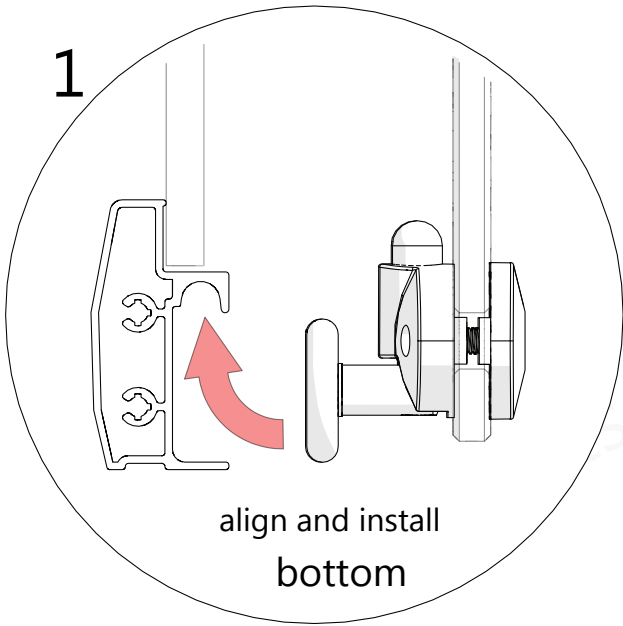
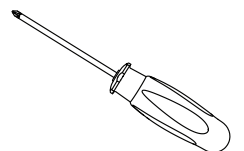


Fig 13



\*If necessary: Adjust the **Top Roller Assemblies (#17a)** for smoother operation.

**Tools Needed**



# Handle and Vinyl Installation

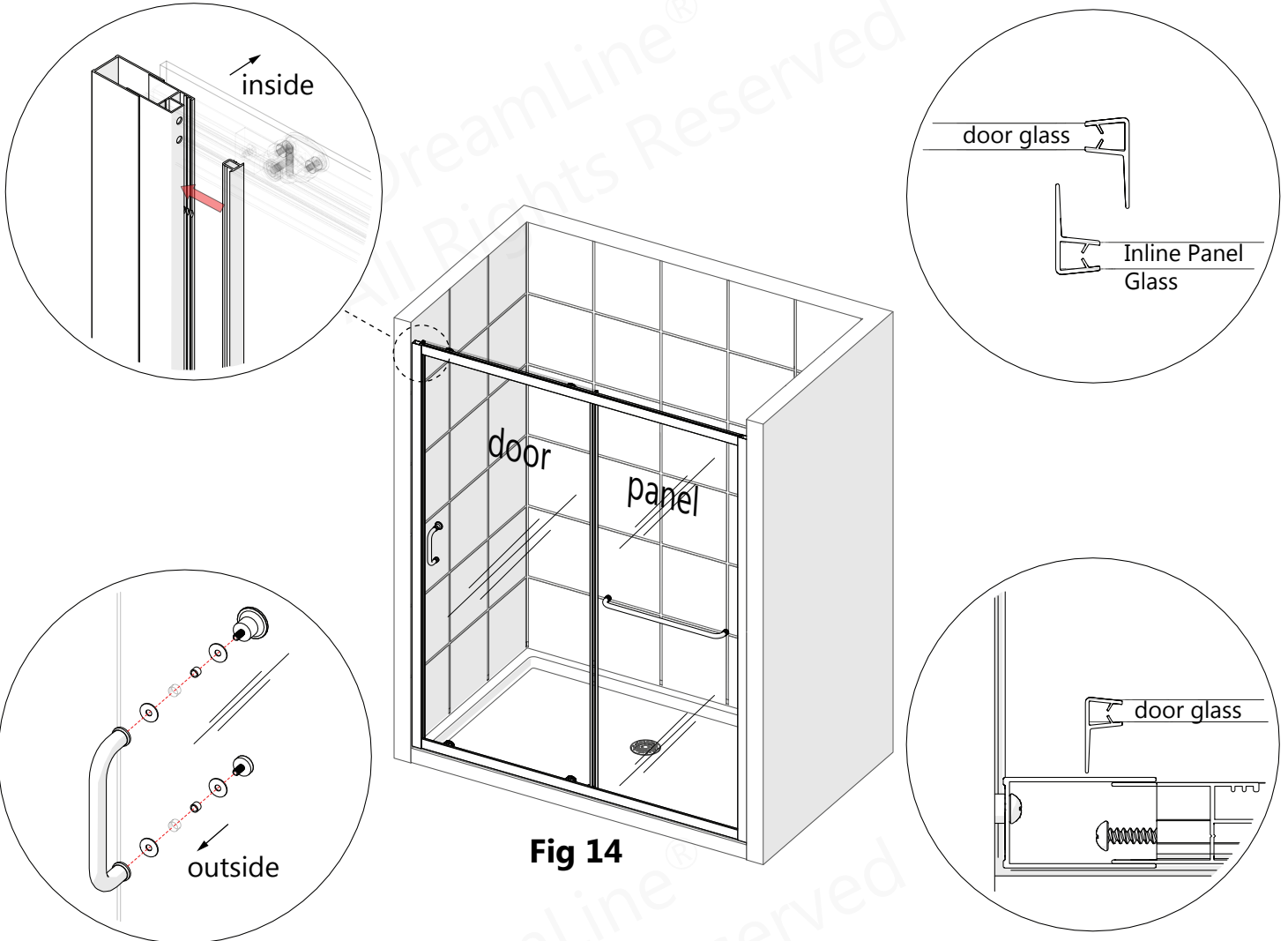
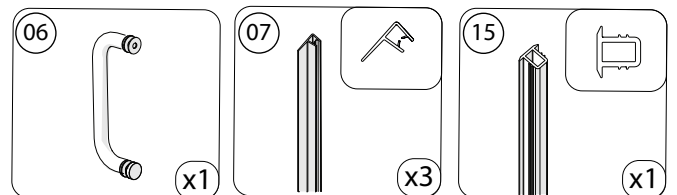


Fig 14

**NOTE**

The longer Vertical Vinyl Seals (#07) attach to the edges of the **Door Glass (#04)**; the shorter Vertical Vinyl Seal (#07) attaches to the edge of the **Inline Panel Glass (#05)**.

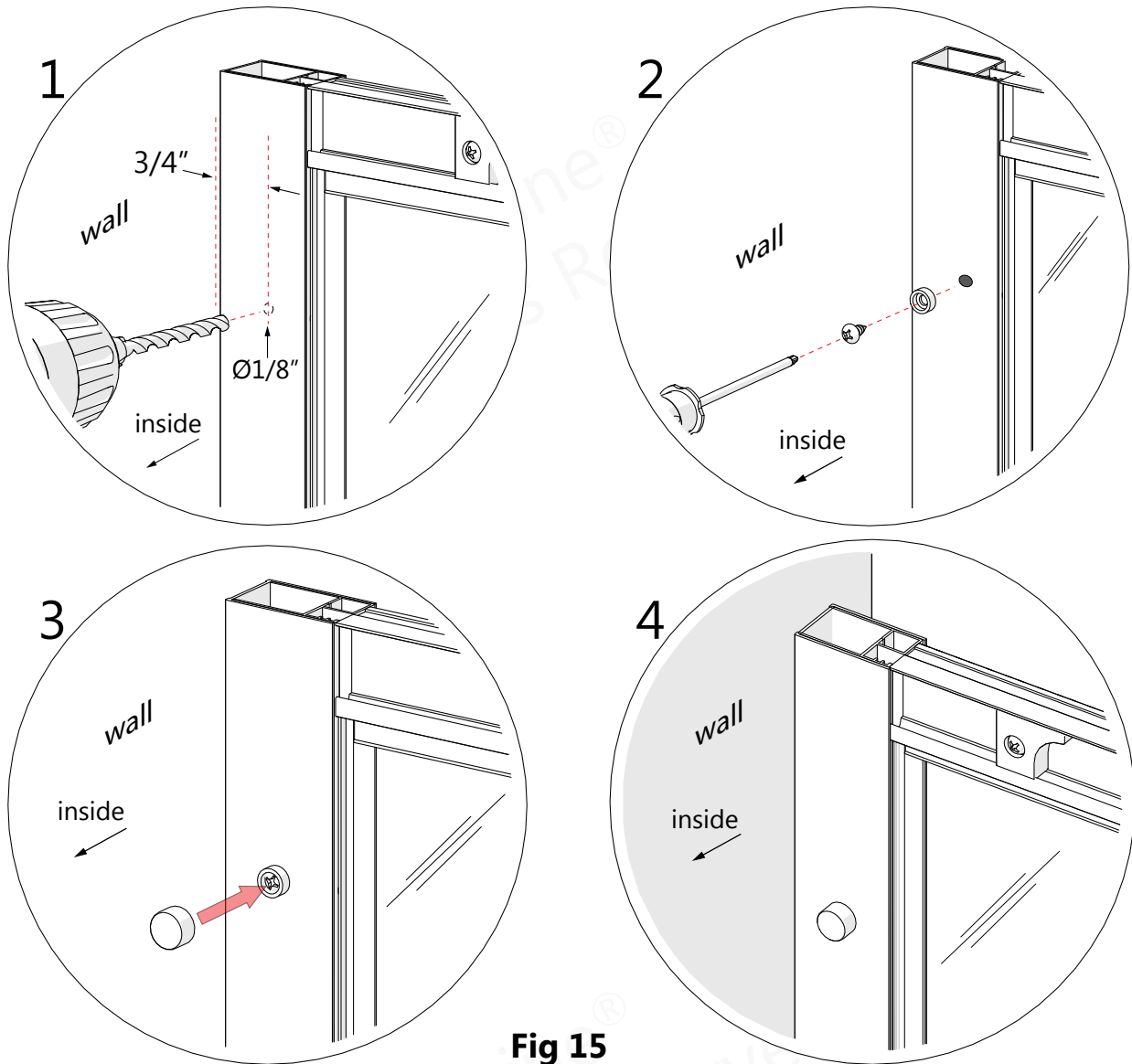
**Parts Needed**



\*Left-hand door installation shown



**DO NOT** drill the profiles throughout, **ONLY** through the first layer of the Wall Profile (#02) and Glass Profile (#01).



**Fig 15**



Make sure the Bottom Rail is tight to the threshold before screwing the Wall Profiles and Glass Profiles together.



The **ST4.0×10mm Pan Head Screws (#11)** and **Decorative Covers (#13)** should be installed to both the **top** and **bottom** of each profile.

		Parts Needed	Tools Needed
<p>Decorative Cap (#13) → ST4.0×10mm Pan Head Screw (#11) → Washer (#13)</p>	<p>(11) x4</p>	<p>(13) x4</p>	



The surfaces need to be clean and free of debris before applying silicone.

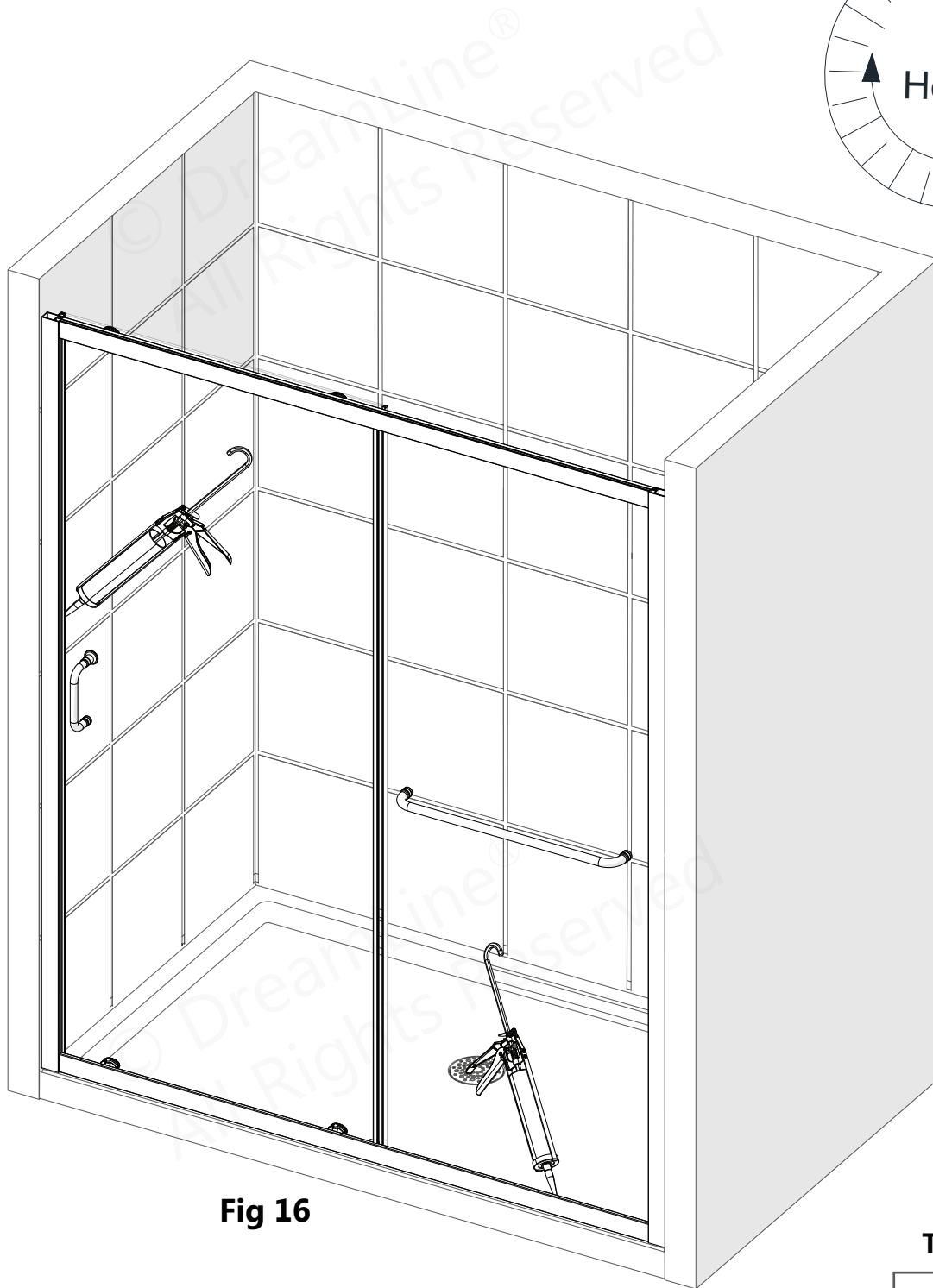
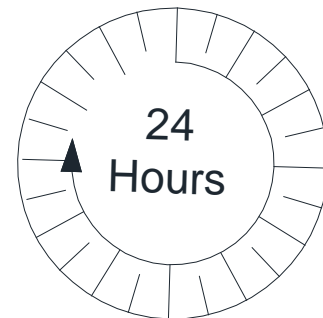
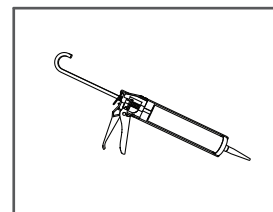


Fig 16

Tools Needed



Allow 24 hours for the silicone caulk to cure before using shower.

# Product Maintenance

**BASES and BACKWALLS:** To ensure long lasting life for your acrylic back walls: wipe them off after each use with a soft cloth. To clean the acrylic back walls use non-abrasive sprays or cream based cleaners. Avoid the use of aerosol spray cleaners. Never use abrasive cleansers, metal brushes or scrapers that could permanently scratch or dull the surface.

**GLASS:** To ensure long lasting life for your glass shower products: wipe them off after each use with a soft cloth. Rinse and wipe off the glass using either a soft cloth or a squeegee to prevent soap buildup and water spots (Hard water can etch the surface of the glass over time if left to dry). To prevent scratching the surface: never use abrasive cleaners or cleaning products that contain scouring agents. Never use bristle brushes or abrasive sponges that may scratch the surface of the glass.

**HARDWARE:** To ensure a long lasting finish: wipe off all metal parts after each use with a soft cloth. Do not use abrasive cleaners or cleaning products containing ammonia, bleach or acid. If accidentally used, rinse the surface as soon as possible to prevent damage to the finish (peeling or corrosion). After cleaning the polished finishes, rinse thoroughly and wipe dry with a soft clean-cloth.

Clean stainless steel surfaces at least once a week. When applying stainless steel cleaner or polish to stainless steel hardware, work with the grain (not across the grain). Never use an abrasive sponge or cloth, steel wool or wired brush as these may permanently scratch the surfaces.



**To maximize the life of your door, it is important to regularly inspect the glass and other hardware for misalignment, proper attachment, and/or damage. Contact DreamLine® with any questions or concerns.**

## **INFINITY-Z Maintenance Checklist**

- Inspect the Roller Assemblies; tighten if necessary
- Inspect Handle and towel bar; tighten if necessary
- Inspect glass clips; tighten if necessary
- Inspect and replace damaged or missing Vinyl Seals.
- Remove Vinyl Seals to inspect the edges of the glass for concealed damage.

### **Damaged glass must be replaced!**

- Inspect silicone application. Replace as necessary to prevent leakage.  
(refer to the manufacturer's recommendations on the proper application of their product).

# Troubleshooting

Problem/Symptom	Suggested Solution
Missing Parts	<ul style="list-style-type: none"> <li>•Check all shipping/packageing material for missing parts/components.</li> <li>•If not found, contact DreamLine Customer Support [1-855-831-2126] to order factory part replacement.</li> </ul>
Water Leakage: underneath <b>Bottom Guide Rail (#03)</b>	<ul style="list-style-type: none"> <li>•Make certain that the bottom rail is tight to the threshold and that silicone is creating a seal along the entire length of the bottom rail.</li> <li>•If the bottom rail is not making contact with the threshold, it may be necessary to redo Steps 6-7 to create a better seal.</li> </ul>
Water Leakage: <b>Panel/Door Glass (#05/04)</b>	<ul style="list-style-type: none"> <li>•Starting from the bottom, confirm that the <b>Push-in Glazing Vinyl (#08)</b> is correctly inserted into the glass profile. [see Fig 7]</li> <li>•If possible, direct the flow of water away from the area.</li> </ul>
<b>Door Glass (#04)</b> is not rolling smoothly/closing tightly.	<ul style="list-style-type: none"> <li>•Use a #2 phillips screwdriver to evenly adjust the <b>Top Wheel Assemblies (#17a)</b> until the <b>Door Glass (#04)</b> rolls smoothly and tightly closes. [see Fig 12.4]</li> </ul>
<b>Panel Glass (#05)</b> shakes/rattles while in operation.	<ul style="list-style-type: none"> <li>•Starting from the bottom, confirm that the <b>Push-in Glazing Vinyl (#08)</b> is installed tightly between the <b>Panel Glass (#05)</b> and <b>Glass Profile (#01)</b>.</li> <li>•Inspect the <b>Glass Clips (#16)</b> for correct installation and tighten if necessary. [see Step 10]</li> </ul>



Prior to contacting DreamLine® Customer Service, please have the following information readily available:

- Purchase Order Information
- Name, PO Number, Dealer/Vendor Name, etc.
- SKU/Model Number (see Pages 27-33)
- Factory Part Information (see Pages 27-33)

© DreamLine®  
All Rights Reserved

## Product Parts Information

INFINITY-Z 48x72 Clear Glass		FACTORY PARTS INFORMATION	
ITEM #	FACTORY PART NUMBER	ITEM DESCRIPTION	QTY
01	040020 <b>1</b> 1-1830 / 040020 <b>4</b> 1-1830 / 040020 <b>6</b> 1-1830	Left or Right Glass Profile for 6mm (1/4in) Glass	2 pcs
02	041830 <b>1</b> 1-1830 / 041830 <b>4</b> 1-1830 / 041830 <b>6</b> 1-1830	Left or Right Wall Profile	2 pcs
03	040010 <b>1</b> 1-1134 / 0400 <b>4</b> 011-1134 / 0400 <b>6</b> 011-1134	Top or Bottom Guide Rail	2 pcs
04	010021014	Door Glass	1 pc
05	010022007	Inline Panel Glass	1 pc
06	0722 <b>1</b> 006 / 0722 <b>4</b> 006 / 0722 <b>6</b> 006	Single Sided Curved Handle with Knob for 6mm (1/4in) Glass	1 pc
07a	063001060-1743	Vinyl Seal with a Flexible Fin for 6mm (1/4in) Glass (for panel)	1 pc
07b	063001060-1814	Vinyl Seal with a Flexible Fin for 6mm (1/4in) Glass (for door)	2 pcs
08	060001000-1765	Push-in Glazing Vinyl for 6mm (1/4in) Glass	1 pc
09	091131	ST4.0 x 55mm Pan Head Screw	11 pcs
10	091104	ST4.0 x 25mm Pan Head Screw	11 pcs
11	091101	ST4.0 x 10mm Pan Head Screw	7 pcs
12	092102	ST4.2 x 16mm Countersunk Screw (pre-attached to #03)	4 pcs
12	092102	ST4.2 x 16mm Countersunk Screw	2 pcs
13	0755 <b>1</b> 011 / 0755 <b>4</b> 011 / 0755 <b>6</b> 011	Decorative Cover and Washer	7 pcs
14	07550045	Wall Anchor 8mm (5/16in)	11 pcs
15	060007060-1800	Vinyl Insert for Glass Profile	1 pc
16	0755 <b>1</b> 014 / 0755 <b>4</b> 014 / 0755 <b>6</b> 014	Glass Clip for 6mm (1/4in) Glass	2 pcs
17a	0734 <b>1</b> 008 / 0734 <b>4</b> 008 / 0734 <b>6</b> 008	Single Roller Assembly (top) for 6mm (1/4in) Glass	2 pcs
17b	0734 <b>1</b> 009 / 0734 <b>4</b> 009 / 0734 <b>6</b> 009	Single Roller Assembly (bottom) for 6mm (1/4in) Glass	2 pcs
18	0722 <b>1</b> 024 / 0722 <b>4</b> 024 / 0722 <b>6</b> 024	Towel Bar Assembly for 6mm (1/4in) Glass	1 pc
---	07550009	Roller Stopper (pre-attached to #03)	4 pcs

**BOLD digit indicates finish: 1 = Chrome; 4 = Brushed Nickel; 06 = Oil Rubbed Bronze**

Contact [Support@DreamLine.com](mailto:Support@DreamLine.com) for Part replacement, installation assistance or additional information  
Complete **Warranty** information is available on [DreamLine.com](http://DreamLine.com)

## Product Parts Information

INFINITY-Z 48x72 Frosted Glass		FACTORY PARTS INFORMATION	
ITEM #	FACTORY PART NUMBER	ITEM DESCRIPTION	QTY
01	040020 <b>11</b> -1830 / 040020 <b>41</b> -1830 / 040020 <b>61</b> -1830	Left or Right Glass Profile for 6mm (1/4in) Glass	2 pcs
02	041830 <b>11</b> -1830 / 041830 <b>41</b> -1830 / 041830 <b>61</b> -1830	Left or Right Wall Profile	2 pcs
03	040010 <b>11</b> -1134 / 0400 <b>40</b> 11-1134 / 0400 <b>60</b> 11-1134	Top or Bottom Guide Rail	2 pcs
04	010021016	Door Glass	1 pc
05	010022008	Inline Panel Glass	1 pc
06	0722 <b>10</b> 06 / 0722 <b>40</b> 06 / 0722 <b>60</b> 06	Single Sided Curved Handle with Knob for 6mm (1/4in) Glass	1 pc
07a	063001060-1743	Vinyl Seal with a Flexible Fin for 6mm (1/4in) Glass (for panel)	1 pc
07b	063001060-1814	Vinyl Seal with a Flexible Fin for 6mm (1/4in) Glass (for door)	2 pcs
08	060001000-1765	Push-in Glazing Vinyl for 6mm (1/4in) Glass	1 pc
09	091131	ST4.0 × 55mm Pan Head Screw	11 pcs
10	091104	ST4.0 x 25mm Pan Head Screw	11 pcs
11	091101	ST4.0 x 10mm Pan Head Screw	7 pcs
12	092102	ST4.2 x 16mm Countersunk Screw (pre-attached to #03)	4 pcs
12	092102	ST4.2 x 16mm Countersunk Screw	2 pcs
13	0755 <b>10</b> 11 / 0755 <b>40</b> 11 / 0755 <b>60</b> 11	Decorative Cover and Washer	7 pcs
14	07550045	Wall Anchor 8mm (5/16in)	11 pcs
15	060007060-1800	Vinyl Insert for Glass Profile	1 pc
16	0755 <b>10</b> 14 / 0755 <b>40</b> 14 / 0755 <b>60</b> 14	Glass Clip for 6mm (1/4in) Glass	2 pcs
17a	0734 <b>10</b> 08 / 0734 <b>40</b> 08 / 0734 <b>60</b> 08	Single Roller Assembly (top) for 6mm (1/4in) Glass	2 pcs
17b	0734 <b>10</b> 09 / 0734 <b>40</b> 09 / 0734 <b>60</b> 09	Single Roller Assembly (bottom) for 6mm (1/4in) Glass	2 pcs
18	0722 <b>10</b> 24 / 0722 <b>40</b> 24 / 0722 <b>60</b> 24	Towel Bar Assembly for 6mm (1/4in) Glass	1 pc
---	07550009	Roller Stopper (pre-attached to #03)	4 pcs

**BOLD digit indicates finish: 1 = Chrome; 4 = Brushed Nickel; 06 = Oil Rubbed Bronze**

Contact [Support@DreamLine.com](mailto:Support@DreamLine.com) for Part replacement, installation assistance or additional information  
Complete **Warranty** information is available on [DreamLine.com](http://DreamLine.com)



## Product Parts Information

INFINITY-Z 54x72 Clear Glass		FACTORY PARTS INFORMATION	
ITEM #	FACTORY PART NUMBER	ITEM DESCRIPTION	QTY
01	040020 <b>1</b> 1-1830 / 040020 <b>4</b> 1-1830 / 040020 <b>6</b> 1-1830	Left or Right Glass Profile for 6mm (1/4in) Glass	2 pcs
02	041830 <b>1</b> 1-1830 / 041830 <b>4</b> 1-1830 / 041830 <b>6</b> 1-1830	Left or Right Wall Profile	2 pcs
03	040010 <b>1</b> 1-1283 / 0400 <b>4</b> 011-1283 / 0400 <b>6</b> 011-1283	Top or Bottom Guide Rail	2 pcs
04	010022011	Door Glass	1 pc
05	010022010	Inline Panel Glass	1 pc
06	0722 <b>1</b> 006 / 0722 <b>4</b> 006 / 0722 <b>6</b> 006	Single Sided Curved Handle with Knob for 6mm (1/4in) Glass	1 pc
07a	063001060-1743	Vinyl Seal with a Flexible Fin for 6mm (1/4in) Glass (for panel)	1 pc
07b	063001060-1814	Vinyl Seal with a Flexible Fin for 6mm (1/4in) Glass (for door)	2 pcs
08	060001000-1765	Push-in Glazing Vinyl for 6mm (1/4in) Glass	1 pc
09	091131	ST4.0 x 55mm Pan Head Screw	11 pcs
10	091104	ST4.0 x 25mm Pan Head Screw	11 pcs
11	091101	ST4.0 x 10mm Pan Head Screw	7 pcs
12	092102	ST4.2 x 16mm Countersunk Screw (pre-attached to #03)	4 pcs
12	092102	ST4.2 x 16mm Countersunk Screw	2 pcs
13	0755 <b>1</b> 011 / 0755 <b>4</b> 011 / 0755 <b>6</b> 011	Decorative Cover and Washer	7 pcs
14	07550045	Wall Anchor 8mm (5/16in)	11 pcs
15	060007060-1800	Vinyl Insert for Glass Profile	1 pc
16	0755 <b>1</b> 014 / 0755 <b>4</b> 014 / 0755 <b>6</b> 014	Glass Clip for 6mm (1/4in) Glass	2 pcs
17a	0734 <b>1</b> 008 / 0734 <b>4</b> 008 / 0734 <b>6</b> 008	Single Roller Assembly (top) for 6mm (1/4in) Glass	2 pcs
17b	0734 <b>1</b> 009 / 0734 <b>4</b> 009 / 0734 <b>6</b> 009	Single Roller Assembly (bottom) for 6mm (1/4in) Glass	2 pcs
18	0722 <b>1</b> 051 / 0722 <b>4</b> 051 / 0722 <b>6</b> 051	Towel Bar Assembly for 6mm (1/4in) Glass	1 pc
---	07550009	Roller Stopper (pre-attached to #03)	4 pcs

**BOLD digit indicates finish: 1 = Chrome; 4 = Brushed Nickel; 06 = Oil Rubbed Bronze**

Contact **Support@DreamLine.com** for Part replacement, installation assistance or additional information  
Complete **Warranty** information is available on **DreamLine.com**

## Product Parts Information

INFINITY-Z 54x72 Frosted Glass		FACTORY PARTS INFORMATION	
ITEM #	FACTORY PART NUMBER	ITEM DESCRIPTION	QTY
01	04002 <b>01</b> 1-1830 / 04002 <b>04</b> 1-1830 / 04002 <b>06</b> 1-1830	Left or Right Glass Profile for 6mm (1/4in) Glass	2 pcs
02	04183 <b>01</b> 1-1830 / 04183 <b>04</b> 1-1830 / 04183 <b>06</b> 1-1830	Left or Right Wall Profile	2 pcs
03	04001 <b>01</b> 1-1283 / 0400 <b>4</b> 011-1283 / 0400 <b>6</b> 011-1283	Top or Bottom Guide Rail	2 pcs
04	010022013	Door Glass	1 pc
05	010022012	Inline Panel Glass	1 pc
06	0722 <b>1</b> 006 / 0722 <b>4</b> 006 / 0722 <b>6</b> 006	Single Sided Curved Handle with Knob for 6mm (1/4in) Glass	1 pc
07a	063001060-1743	Vinyl Seal with a Flexible Fin for 6mm (1/4in) Glass (for panel)	1 pc
07b	063001060-1814	Vinyl Seal with a Flexible Fin for 6mm (1/4in) Glass (for door)	2 pcs
08	060001000-1765	Push-in Glazing Vinyl for 6mm (1/4in) Glass	1 pc
09	091131	ST4.0 x 55mm Pan Head Screw	11 pcs
10	091104	ST4.0 x 25mm Pan Head Screw	11 pcs
11	091101	ST4.0 x 10mm Pan Head Screw	7 pcs
12	092102	ST4.2 x 16mm Countersunk Screw (pre-attached to #03)	4 pcs
12	092102	ST4.2 x 16mm Countersunk Screw	2 pcs
13	0755 <b>1</b> 011 / 0755 <b>4</b> 011 / 0755 <b>6</b> 011	Decorative Cover and Washer	7 pcs
14	07550045	Wall Anchor 8mm (5/16in)	11 pcs
15	060007060-1800	Vinyl Insert for Glass Profile	1 pc
16	0755 <b>1</b> 014 / 0755 <b>4</b> 014 / 0755 <b>6</b> 014	Glass Clip for 6mm (1/4in) Glass	2 pcs
17a	0734 <b>1</b> 008 / 0734 <b>4</b> 008 / 0734 <b>6</b> 008	Single Roller Assembly (top) for 6mm (1/4in) Glass	2 pcs
17b	0734 <b>1</b> 009 / 0734 <b>4</b> 009 / 0734 <b>6</b> 009	Single Roller Assembly (bottom) for 6mm (1/4in) Glass	2 pcs
18	0722 <b>1</b> 051 / 0722 <b>4</b> 051 / 0722 <b>6</b> 051	Towel Bar Assembly for 6mm (1/4in) Glass	1 pc
---	07550009	Roller Stopper (pre-attached to #03)	4 pcs

**BOLD digit indicates finish: 1 = Chrome; 4 = Brushed Nickel; 06 = Oil Rubbed Bronze**

Contact [Support@DreamLine.com](mailto:Support@DreamLine.com) for Part replacement, installation assistance or additional information  
Complete **Warranty** information is available on [DreamLine.com](http://DreamLine.com)

## Product Parts Information

INFINITY-Z 60x72 Clear Glass		FACTORY PARTS INFORMATION	
ITEM #	FACTORY PART NUMBER	ITEM DESCRIPTION	QTY
01	040020 <b>1</b> 1-1830 / 040020 <b>4</b> 1-1830 / 040020 <b>6</b> 1-1830	Left or Right Glass Profile for 6mm (1/4in) Glass	2 pcs
02	041830 <b>1</b> 1-1830 / 041830 <b>4</b> 1-1830 / 041830 <b>6</b> 1-1830	Left or Right Wall Profile	2 pcs
03	040010 <b>1</b> 1-1437 / 0400 <b>4</b> 011-1437 / 0400 <b>6</b> 011-1437	Top or Bottom Guide Rail	2 pcs
04	010021010	Door Glass	1 pc
05	010022004	Inline Panel Glass	1 pc
06	0722 <b>1</b> 006 / 0722 <b>4</b> 006 / 0722 <b>6</b> 006	Single Sided Curved Handle with Knob for 6mm (1/4in) Glass	1 pc
07a	063001060-1743	Vinyl Seal with a Flexible Fin for 6mm (1/4in) Glass (for panel)	1 pc
07b	063001060-1814	Vinyl Seal with a Flexible Fin for 6mm (1/4in) Glass (for door)	2 pcs
08	060001000-1765	Push-in Glazing Vinyl for 6mm (1/4in) Glass	1 pc
09	091131	ST4.0 x 55mm Pan Head Screw	11 pcs
10	091104	ST4.0 x 25mm Pan Head Screw	11 pcs
11	091101	ST4.0 x 10mm Pan Head Screw	7 pcs
12	092102	ST4.2 x 16mm Countersunk Screw (pre-attached to #03)	4 pcs
12	092102	ST4.2 x 16mm Countersunk Screw	2 pcs
13	0755 <b>1</b> 011 / 0755 <b>4</b> 011 / 0755 <b>6</b> 011	Decorative Cover and Washer	7 pcs
14	07550045	Wall Anchor 8mm (5/16in)	11 pcs
15	060007060-1800	Vinyl Insert for Glass Profile	1 pc
16	0755 <b>1</b> 014 / 0755 <b>4</b> 014 / 0755 <b>6</b> 014	Glass Clip for 6mm (1/4in) Glass	2 pcs
17a	0734 <b>1</b> 008 / 0734 <b>4</b> 008 / 0734 <b>6</b> 008	Single Roller Assembly (top) for 6mm (1/4in) Glass	2 pcs
17b	0734 <b>1</b> 009 / 0734 <b>4</b> 009 / 0734 <b>6</b> 009	Single Roller Assembly (bottom) for 6mm (1/4in) Glass	2 pcs
18	0722 <b>1</b> 023 / 0722 <b>4</b> 023 / 0722 <b>6</b> 023	Towel Bar Assembly for 6mm (1/4in) Glass	1 pc
---	07550009	Roller Stopper (pre-attached to #03)	4 pcs

**BOLD digit indicates finish: 1 = Chrome; 4 = Brushed Nickel; 06 = Oil Rubbed Bronze**

Contact [Support@DreamLine.com](mailto:Support@DreamLine.com) for Part replacement, installation assistance or additional information  
Complete **Warranty** information is available on [DreamLine.com](http://DreamLine.com)

## Product Parts Information

INFINITY-Z 60x72 Frosted Glass		FACTORY PARTS INFORMATION	
ITEM #	FACTORY PART NUMBER	ITEM DESCRIPTION	QTY
01	040020 <b>11</b> -1830 / 040020 <b>41</b> -1830 / 040020 <b>61</b> -1830	Left or Right Glass Profile for 6mm (1/4in) Glass	2 pcs
02	041830 <b>11</b> -1830 / 041830 <b>41</b> -1830 / 041830 <b>61</b> -1830	Left or Right Wall Profile	2 pcs
03	040010 <b>11</b> -1437 / 0400 <b>40</b> 11-1437 / 0400 <b>60</b> 11-1437	Top or Bottom Guide Rail	2 pcs
04	010021011	Door Glass	1 pc
05	010022005	Inline Panel Glass	1 pc
06	0722 <b>10</b> 06 / 0722 <b>40</b> 06 / 0722 <b>60</b> 06	Single Sided Curved Handle with Knob for 6mm (1/4in) Glass	1 pc
07a	063001060-1743	Vinyl Seal with a Flexible Fin for 6mm (1/4in) Glass (for panel)	1 pc
07b	063001060-1814	Vinyl Seal with a Flexible Fin for 6mm (1/4in) Glass (for door)	2 pcs
08	060001000-1765	Push-in Glazing Vinyl for 6mm (1/4in) Glass	1 pc
09	091131	ST4.0 x 55mm Pan Head Screw	11 pcs
10	091104	ST4.0 x 25mm Pan Head Screw	11 pcs
11	091101	ST4.0 x 10mm Pan Head Screw	7 pcs
12	092102	ST4.2 x 16mm Countersunk Screw (pre-attached to #03)	4 pcs
12	092102	ST4.2 x 16mm Countersunk Screw	2 pcs
13	0755 <b>10</b> 11 / 0755 <b>40</b> 11 / 0755 <b>60</b> 11	Decorative Cover and Washer	7 pcs
14	07550045	Wall Anchor 8mm (5/16in)	11 pcs
15	060007060-1800	Vinyl Insert for Glass Profile	1 pc
16	0755 <b>10</b> 14 / 0755 <b>40</b> 14 / 0755 <b>60</b> 14	Glass Clip for 6mm (1/4in) Glass	2 pcs
17a	0734 <b>10</b> 08 / 0734 <b>40</b> 08 / 0734 <b>60</b> 08	Single Roller Assembly (top) for 6mm (1/4in) Glass	2 pcs
17b	0734 <b>10</b> 09 / 0734 <b>40</b> 09 / 0734 <b>60</b> 09	Single Roller Assembly (bottom) for 6mm (1/4in) Glass	2 pcs
18	0722 <b>10</b> 23 / 0722 <b>40</b> 23 / 0722 <b>60</b> 23	Towel Bar Assembly for 6mm (1/4in) Glass	1 pc
---	07550009	Roller Stopper (pre-attached to #03)	4 pcs

**BOLD digit indicates finish: 1 = Chrome; 4 = Brushed Nickel; 06 = Oil Rubbed Bronze**

Contact [Support@DreamLine.com](mailto:Support@DreamLine.com) for Part replacement, installation assistance or additional information  
Complete **Warranty** information is available on [DreamLine.com](http://DreamLine.com)

## Product Parts Information

INFINITY-Z 60x58 Clear Glass		FACTORY PARTS INFORMATION	
ITEM #	FACTORY PART NUMBER	ITEM DESCRIPTION	QTY
01	040020 <b>11</b> -1474 / 040020 <b>41</b> -1474 / 040020 <b>61</b> -1474	Left or Right Glass Profile for 6mm (1/4in) Glass	2 pcs
02	041830 <b>11</b> -1474 / 041830 <b>41</b> -1474	Left or Right Wall Profile	2 pcs
03	040010 <b>11</b> -1437 / 0400 <b>40</b> 11-1437 / 0400 <b>60</b> 11-1437	Top or Bottom Guide Rail	2 pcs
04	010021007	Door Glass	1 pc
05	010022001	Inline Panel Glass	1 pc
06	0722 <b>10</b> 06 / 0722 <b>40</b> 06	Single Sided Curved Handle with Knob for 6mm (1/4in) Glass	1 pc
07a	063001060-1387	Vinyl Seal with a Flexible Fin for 6mm (1/4in) Glass (for panel)	1 pc
07b	063001060-1458	Vinyl Seal with a Flexible Fin for 6mm (1/4in) Glass (for door)	2 pcs
08	060001000-1410	Push-in Glazing Vinyl for 6mm (1/4in) Glass	1 pc
09	091131	ST4.0 × 55mm Pan Head Screw	11 pcs
10	091104	ST4.0 x 25mm Pan Head Screw	11 pcs
11	091101	ST4.0 x 10mm Pan Head Screw	7 pcs
12	092102	ST4.2 x 16mm Countersunk Screw (pre-attached to #03)	4 pcs
12	092102	ST4.2 x 16mm Countersunk Screw	2 pcs
13	0755 <b>10</b> 11 / 0755 <b>40</b> 11	Decorative Cover and Washer	7 pcs
14	07550045	Wall Anchor 8mm (5/16in)	11 pcs
15	060007060-1411	Vinyl Insert for Glass Profile	1 pc
16	0755 <b>10</b> 14 / 0755 <b>40</b> 14	Glass Clip for 6mm (1/4in) Glass	2 pcs
17a	0734 <b>10</b> 08 / 0734 <b>40</b> 08	Single Roller Assembly (top) for 6mm (1/4in) Glass	2 pcs
17b	0734 <b>10</b> 09 / 0734 <b>40</b> 09	Single Roller Assembly (bottom) for 6mm (1/4in) Glass	2 pcs
18	0722 <b>10</b> 23 / 0722 <b>40</b> 23	Towel Bar Assembly for 6mm (1/4in) Glass	1 pc
---	07550009	Roller Stopper (pre-attached to #03)	4 pcs

**BOLD digit indicates finish: 1 = Chrome; 4 = Brushed Nickel; 06 = Oil Rubbed Bronze**

Contact [Support@DreamLine.com](mailto:Support@DreamLine.com) for Part replacement, installation assistance or additional information  
Complete **Warranty** information is available on [DreamLine.com](http://DreamLine.com)



---

---

TEL: 866-731-2244  
FAX: 866-857-3638  
DREAMLINE.COM



For more information on DreamLine® Shower Doors and Enclosures please visit **DreamLine.com**