

READ AND SAVE THESE INSTRUCTIONS

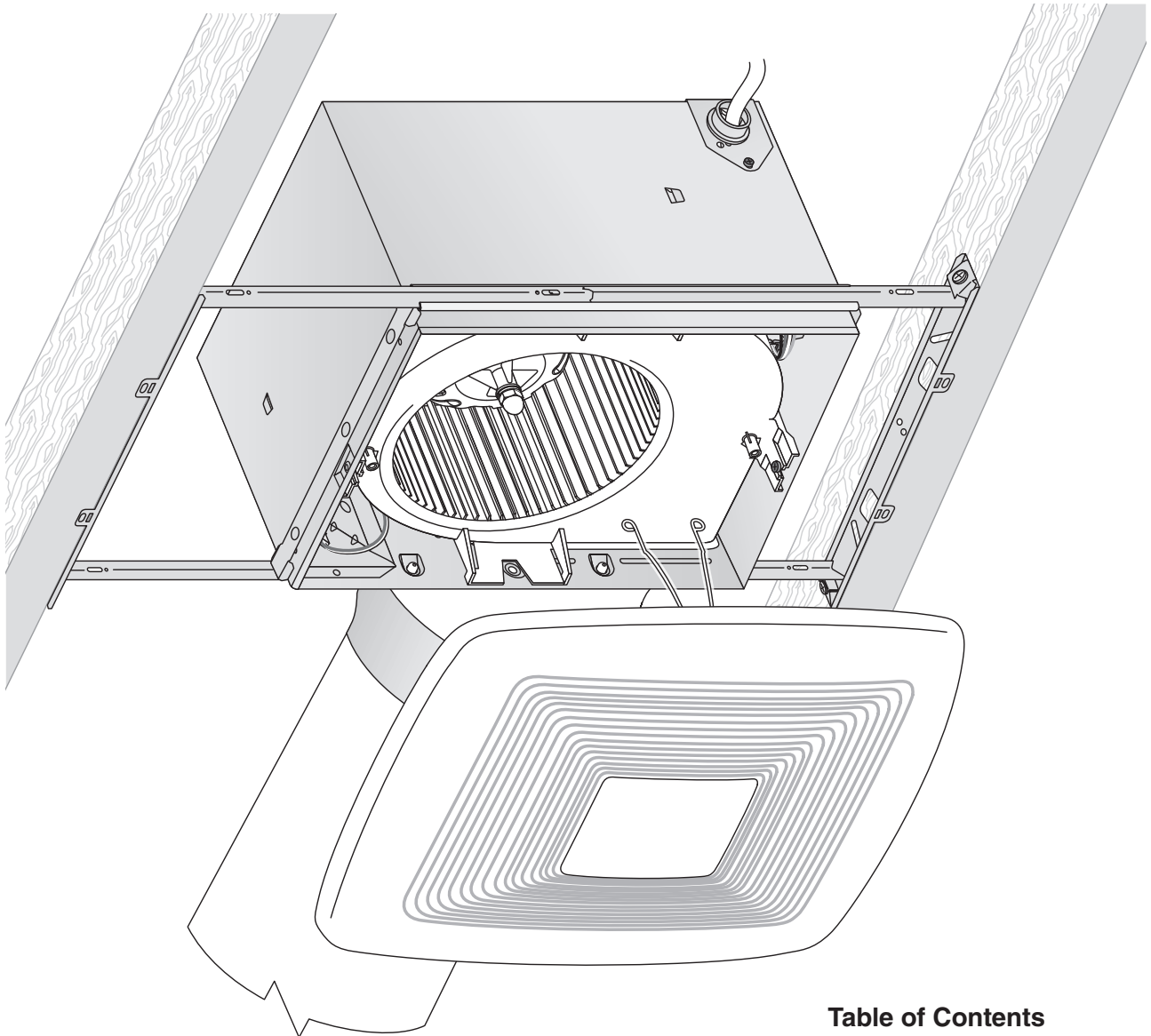
Installer: leave this guide with homeowner.

Register your product online at www.broan.com/register.

XB50 ■ XB80 ■ XB110

X1 | Single-Speed
Ventilation Fan

INSTALLATION GUIDE



**Easy installation in both
new construction and retrofit**

Table of Contents

| | |
|-------------------------------|----|
| Warnings and Cautions | 2 |
| Typical Installation | 2 |
| New Construction Installation | 3 |
| Retrofit Installation | 7 |
| Operation | 12 |
| Cleaning and Maintenance | 12 |
| Troubleshooting | 12 |
| Service Parts | 13 |
| Warranty | 13 |

WARNING

TO REDUCE THE RISK OF FIRE, ELECTRIC SHOCK, OR INJURY TO PERSONS, OBSERVE THE FOLLOWING:

1. Use this unit only in the manner intended by the manufacturer. If you have questions, contact the manufacturer at the address or telephone number listed in the warranty.
2. Before servicing or cleaning unit, switch power off at service panel and lock the service disconnecting means to prevent power from being switched on accidentally. When the service disconnecting means cannot be locked, securely fasten a prominent warning device, such as a tag, to the service panel.
3. Installation work and electrical wiring must be done by a qualified person(s) in accordance with all applicable codes and standards, including fire-rated construction codes and standards.
4. Sufficient air is needed for proper combustion and exhausting of gases through the flue (chimney) of fuel burning equipment to prevent backdrafting. Follow the heating equipment manufacturer's guideline and safety standards such as those published by the National Fire Protection Association (NFPA), and the American Society for Heating, Refrigeration and Air Conditioning Engineers (ASHRAE), and the local code authorities.
5. When cutting or drilling into wall or ceiling, do not damage electrical wiring and other hidden utilities.
6. Ducted fans must always be vented to the outdoors.
7. Use only ON/OFF switch, mechanical timer or relay-switched control.
8. Acceptable for use over a tub or shower when connected to a GFCI (Ground Fault Circuit Interrupter) - protected branch circuit.
9. This unit must be grounded.

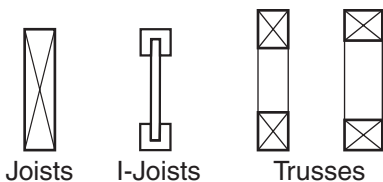
CAUTION

1. For general ventilating use only. Do not use to exhaust hazardous or explosive materials and vapors.
2. This product is designed for installation in ceilings up to a 12/12 pitch (45 degree angle). Duct connector must point up. **DO NOT MOUNT THIS PRODUCT IN A WALL.**
3. To avoid motor bearing damage and noisy and/or unbalanced impellers, keep drywall spray, construction dust, etc. off power unit.
4. Please read specification label on product for further information and requirements.

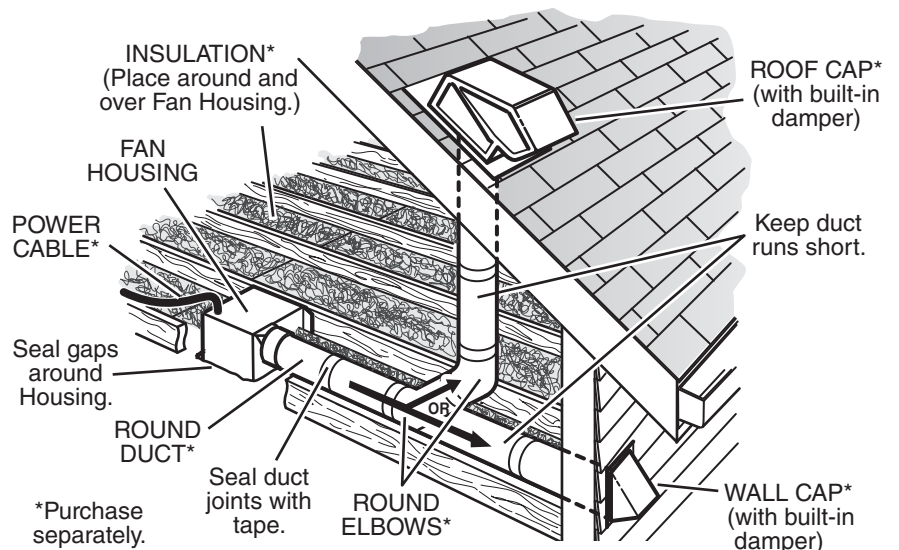


Typical Installation

- Installation is the same for:



- Fits in 2" x 8" ceiling construction.
- Infinitely adjust the fan position between joists from 14" to 24" on center.



The ducting from this fan to the outside of the building has a strong effect on the air flow, noise and energy use of the fan. Use the shortest, straightest duct routing possible for best performance, and avoid installing the fan with smaller ducts than recommended. Insulation around the ducts can reduce energy loss and inhibit mold growth. Fans installed with existing ducts may not achieve their rated airflow.

6-inch round rigid metal duct is recommended for best performance.

New Construction Installation

Tools needed

- Power screwdriver with a Phillips bit
- Phillips screwdriver
- Flathead screwdriver
- Pliers
- Wire insulation stripper
- Wire cutter

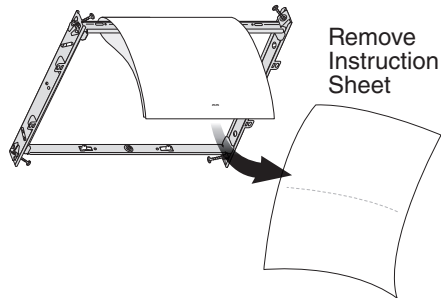
Materials needed

- 6" round metal ducting recommended for best performance.
Use of other ducting is acceptable but may impact performance.
- Roof cap or wall cap (built-in damper recommended)
- Tape to seal duct connections
- Electrical wiring and supplies per local code requirements

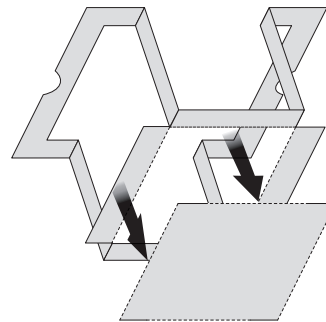
1 Remove Packaging



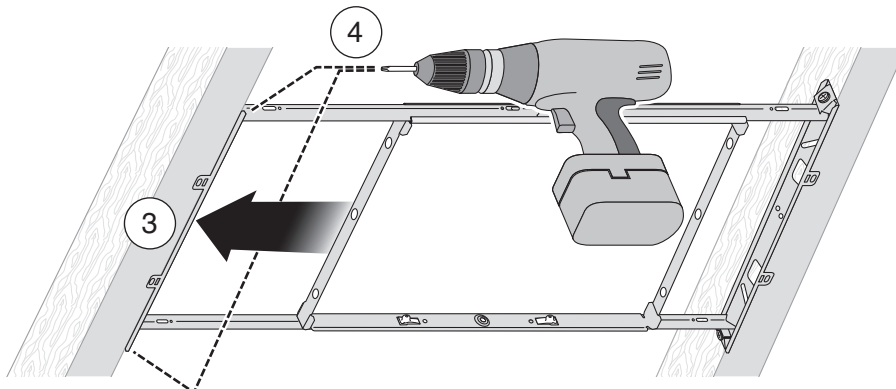
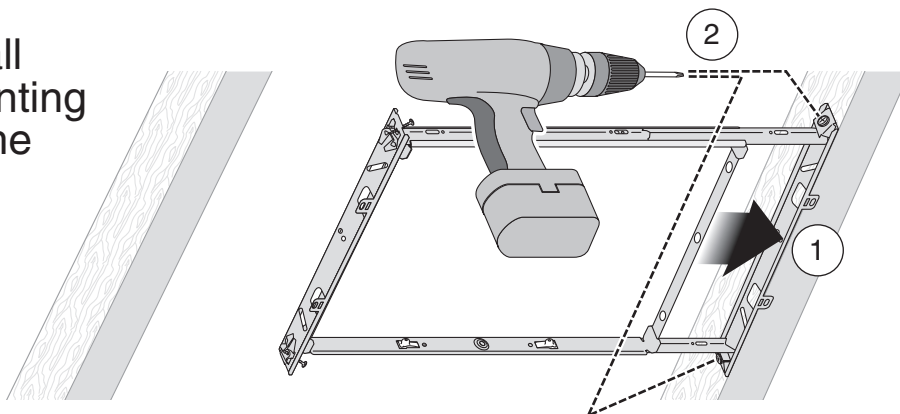
Parts Bag holds Knockout Plate and six (6) screws



Punch out Mask from packaging. See Step 6.

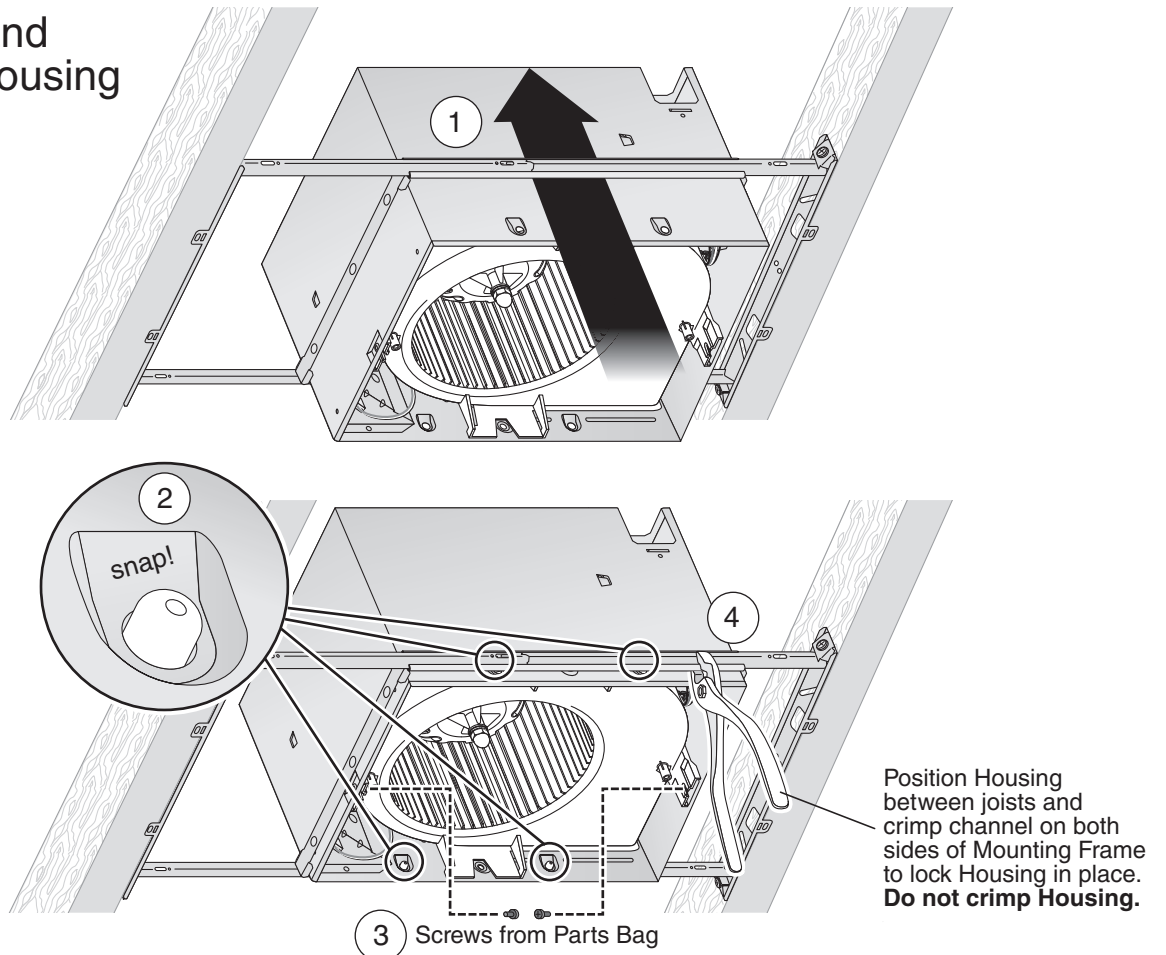


2 Install Mounting Frame

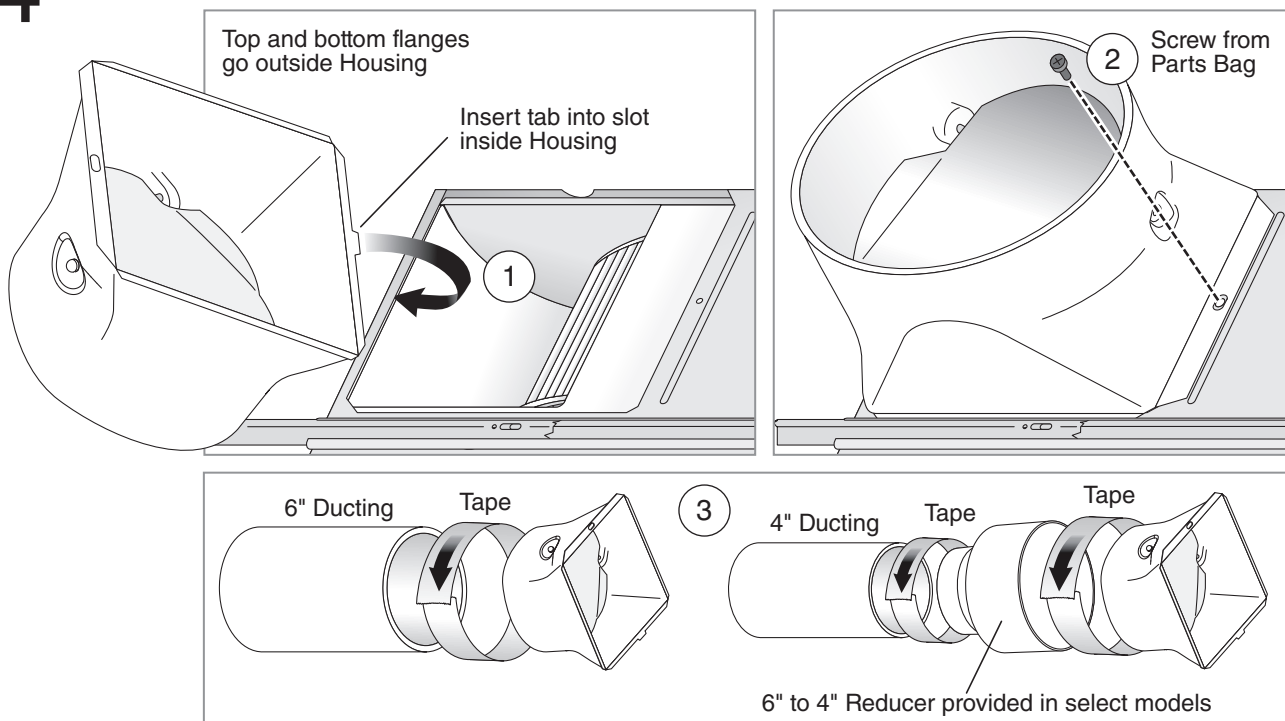


New Construction Installation

3 Snap-in and Secure Housing



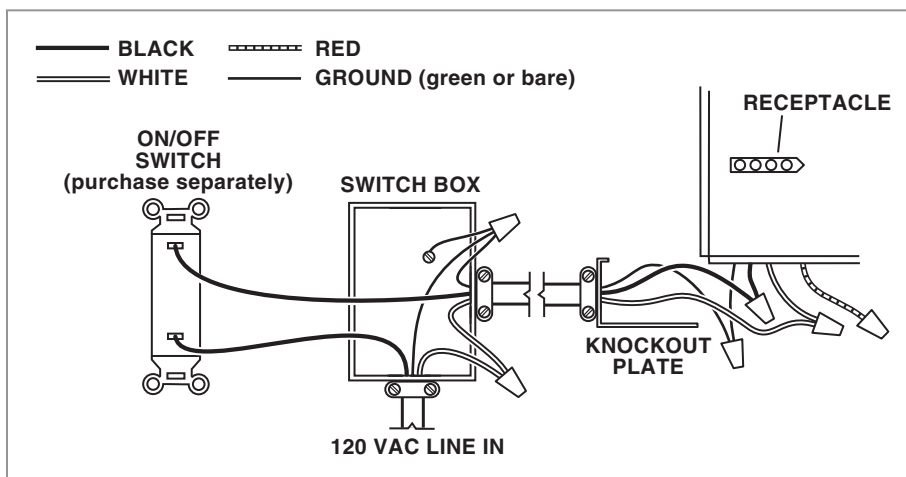
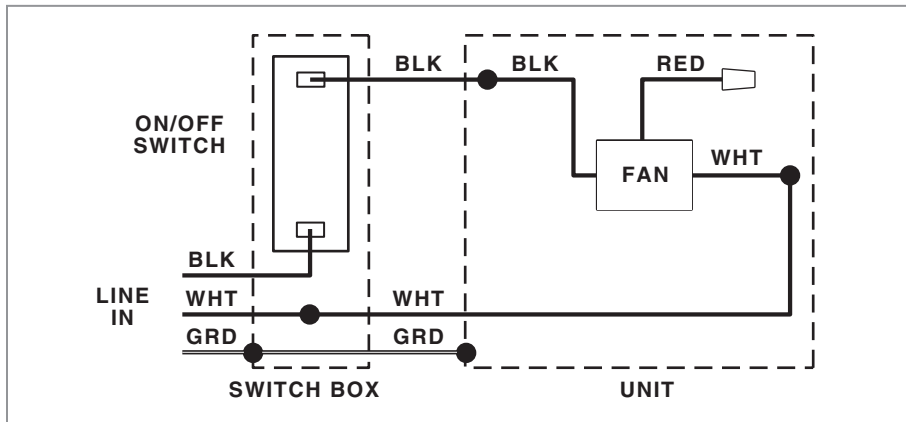
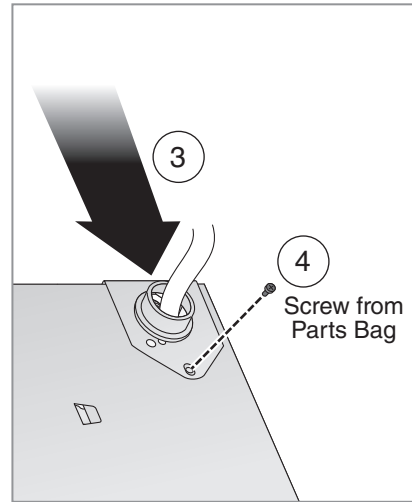
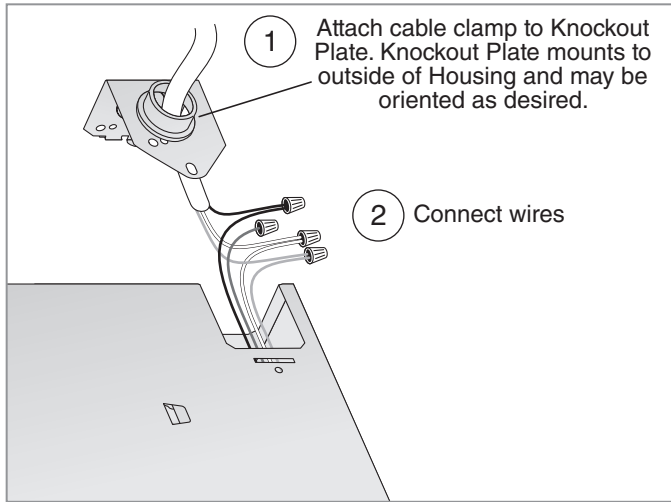
4 Attach Duct Connector and Ducting



New Construction Installation

5 Connect Wires and Install Knockout Plate

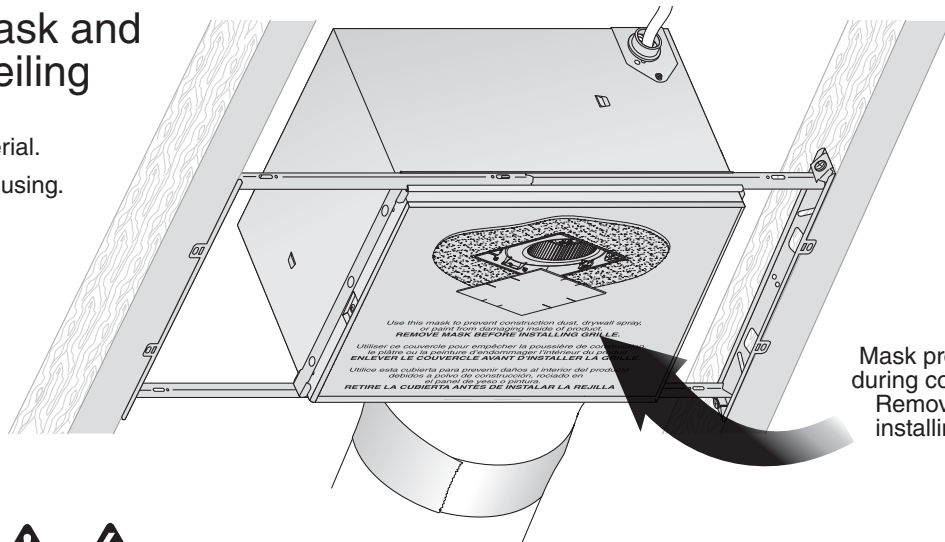
- Run 120VAC electrical wiring to the installation location.
- Use proper UL-approved connectors to secure wiring to the Knockout Plate provided in Parts Bag.
- Connect wires as shown in wiring diagram.



New Construction Installation

6 Insert Mask and Finish Ceiling

- Install ceiling material.
- Cut out around Housing.



Mask protects unit during construction. Remove before installing Grille.

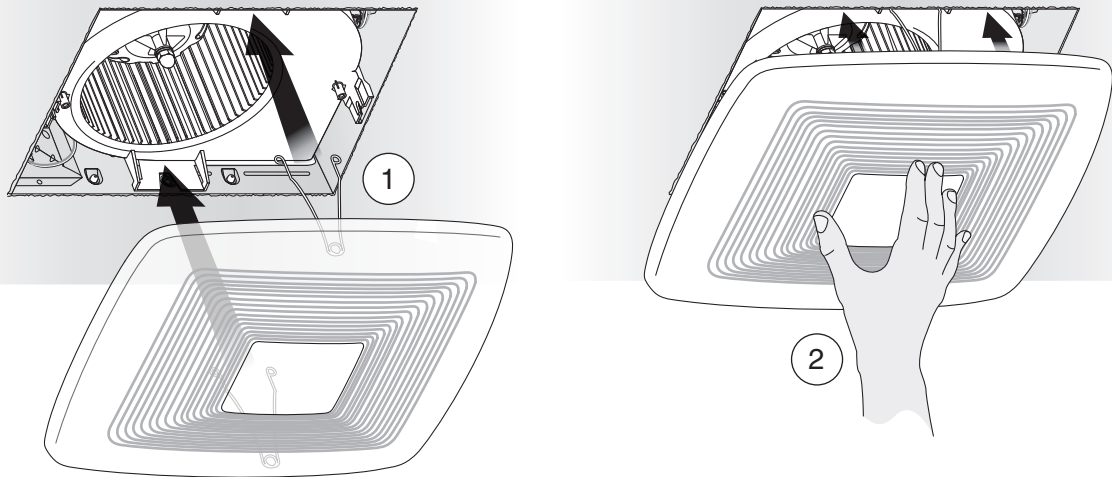
CAUTION



IN ORDER TO PREVENT MOTOR/CONTROL DAMAGE:

If the blower was unplugged, power must be disconnected (see page 2, WARNING item 2) before inserting motor plugs into control assembly.

7 Install Grille



See Page 12 for Operations, Cleaning and Maintenance, and Troubleshooting.

Retrofit Installation

Tools needed

- Power screwdriver with a Phillips bit
- Phillips screwdriver
- Flathead screwdriver
- Pliers
- Wire insulation stripper
- Wire cutter
- Ruler
- Pencil
- Drywall saw
- Claw hammer or pry bar
- Utility knife

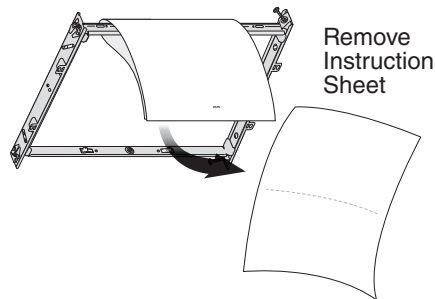
Materials needed

- Tape to seal duct connections
- Existing rigid duct will require the addition of a short length of flexible duct
- Electrical wiring and supplies per local code requirements

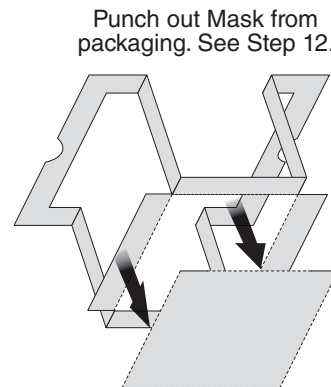
1 Remove Packaging



Parts Bag holds Knockout Plate and six (6) screws



Remove Instruction Sheet



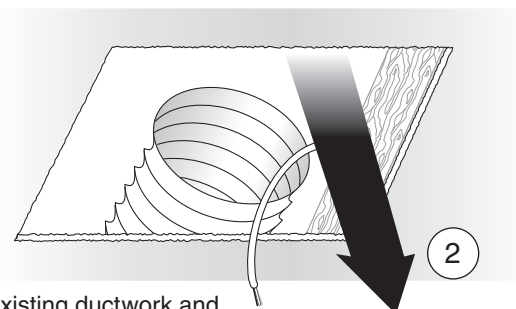
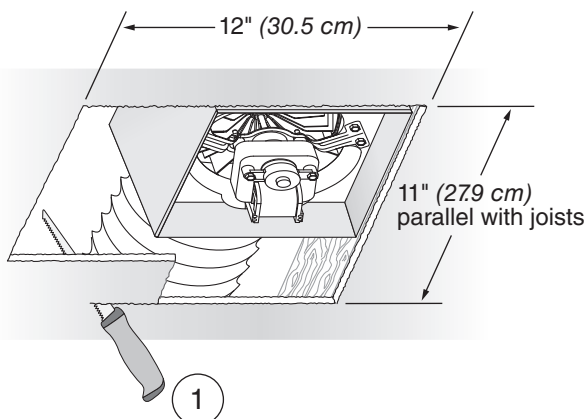
Punch out Mask from packaging. See Step 12.

2 Switch Off Power

WARNING ⚡

Before removing existing fan, switch power off at service panel and lock the service disconnecting means to prevent power from being switched on accidentally. When the service disconnecting means cannot be locked, securely fasten a prominent warning device, such as a tag, to the service panel.

3 Enlarge Ceiling Opening and Remove Existing Fan



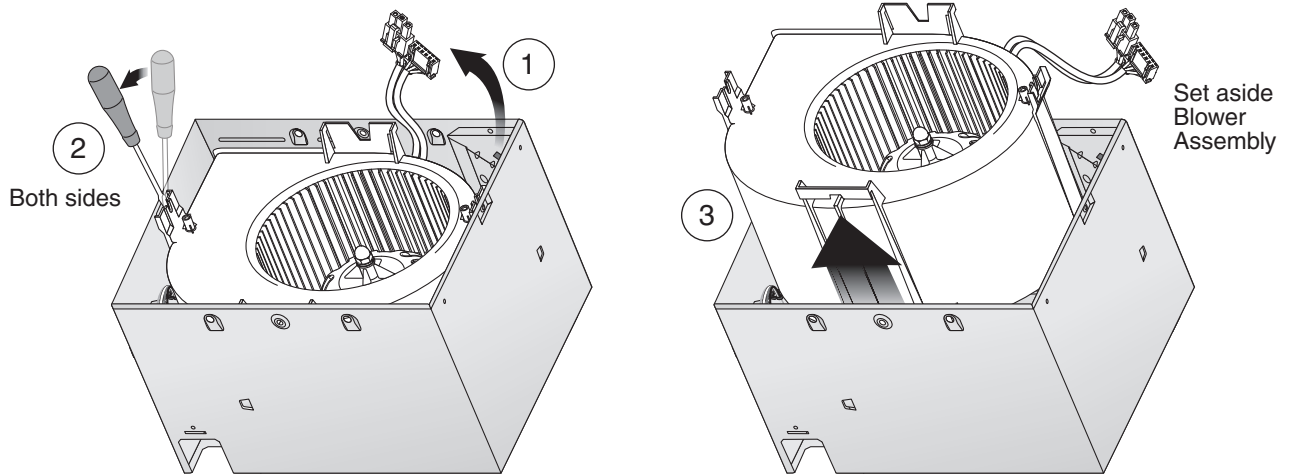
Existing ductwork and wiring left in place

4 Examine Wiring

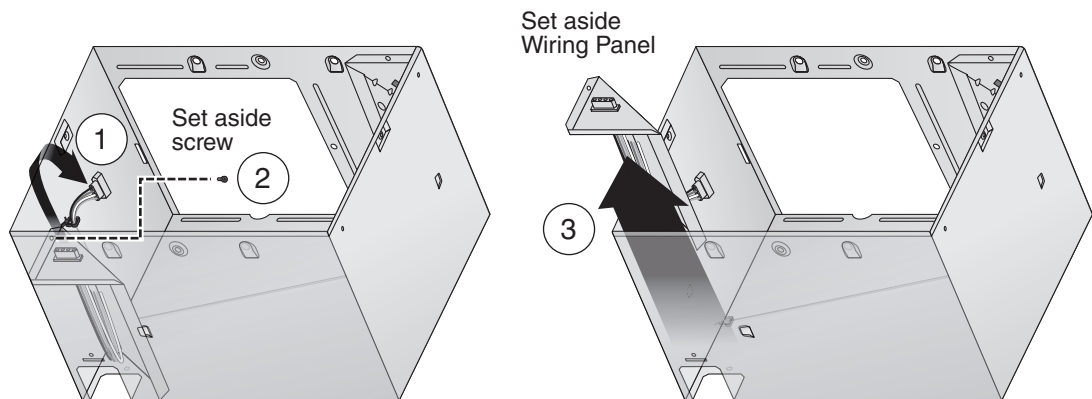
Examine the existing wiring to make sure it is not damaged. If any damage is found, **DO NOT CONTINUE INSTALLATION** of this product. Contact a qualified person(s) for repair.

Retrofit Installation

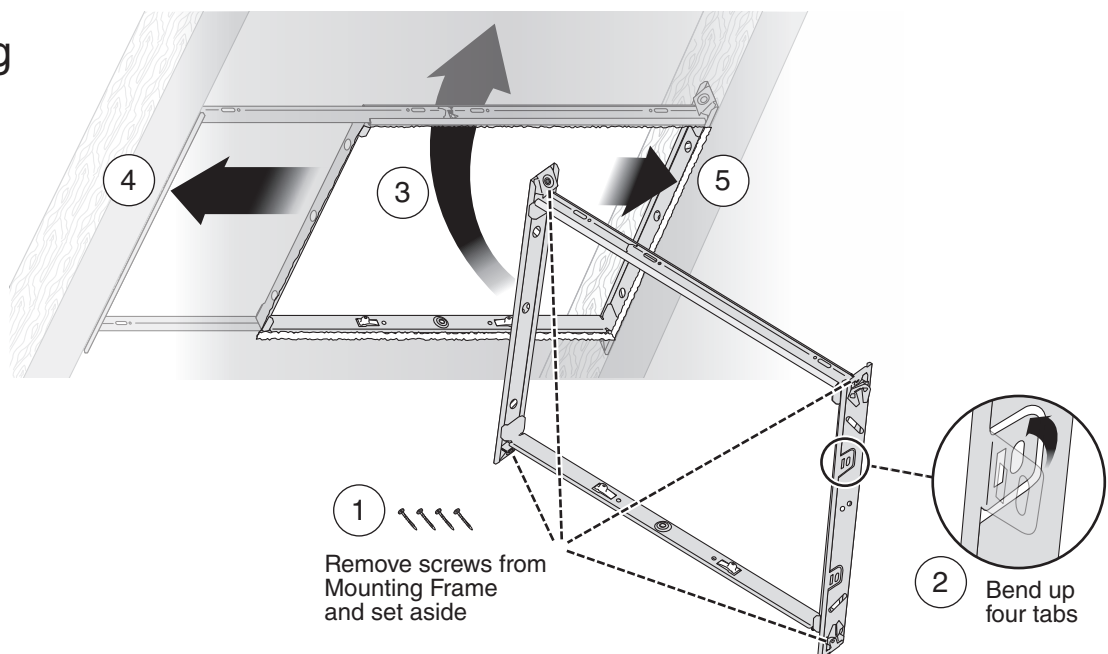
5 Remove Blower Assembly



6 Remove Wiring Panel

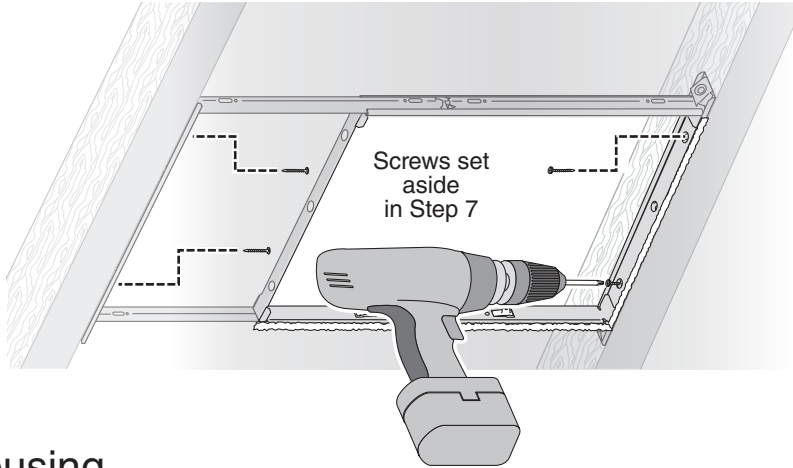


7 Insert Mounting Frame

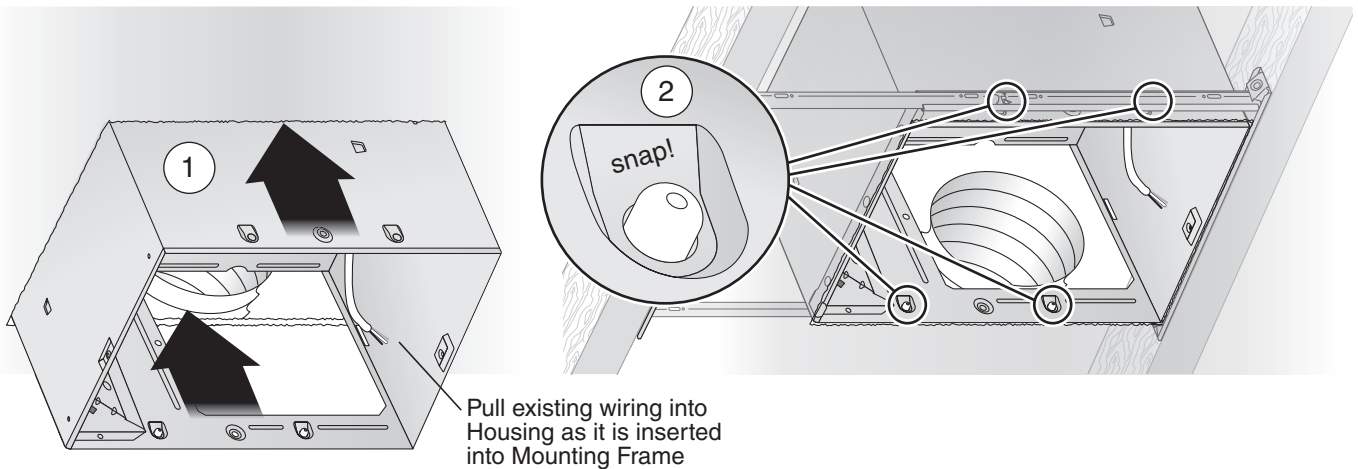


Retrofit Installation

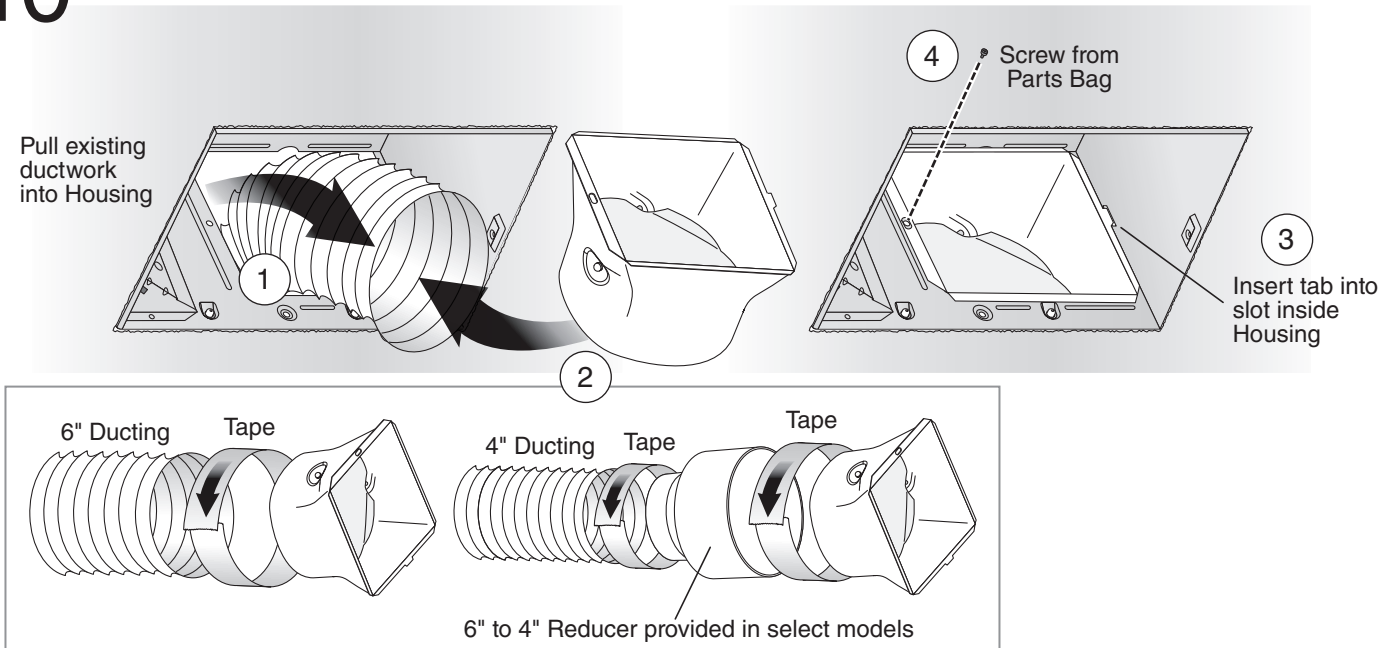
8 Secure Mounting Frame



9 Snap-in Housing



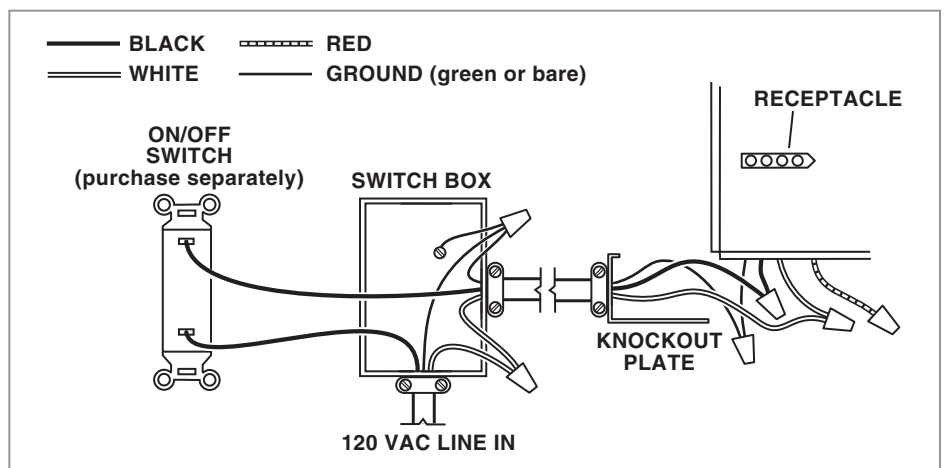
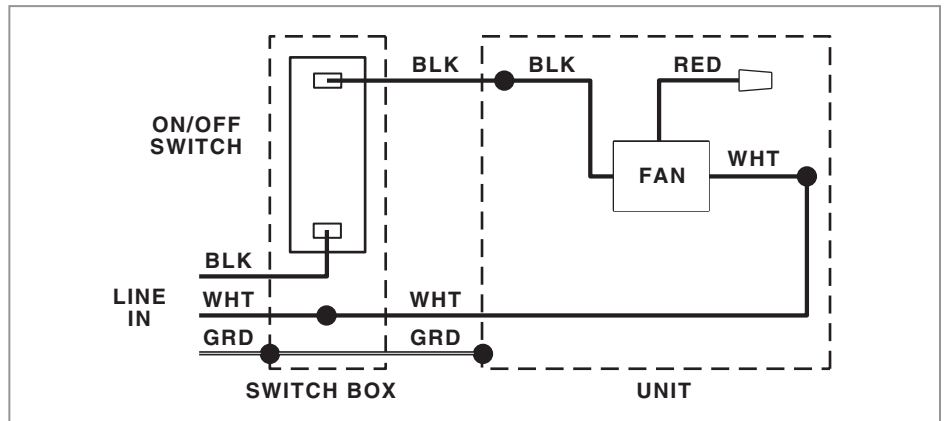
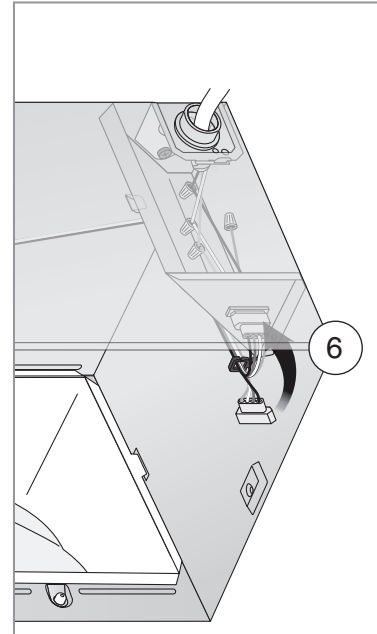
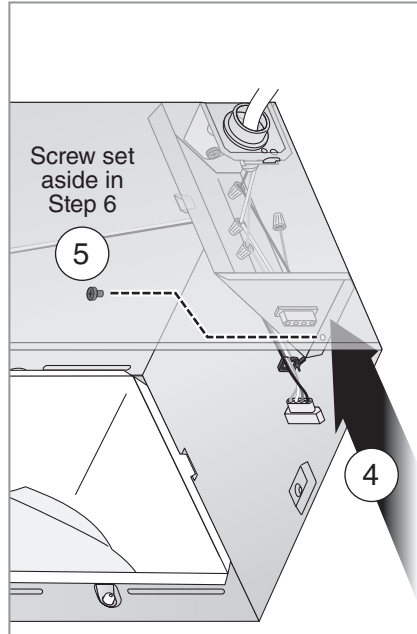
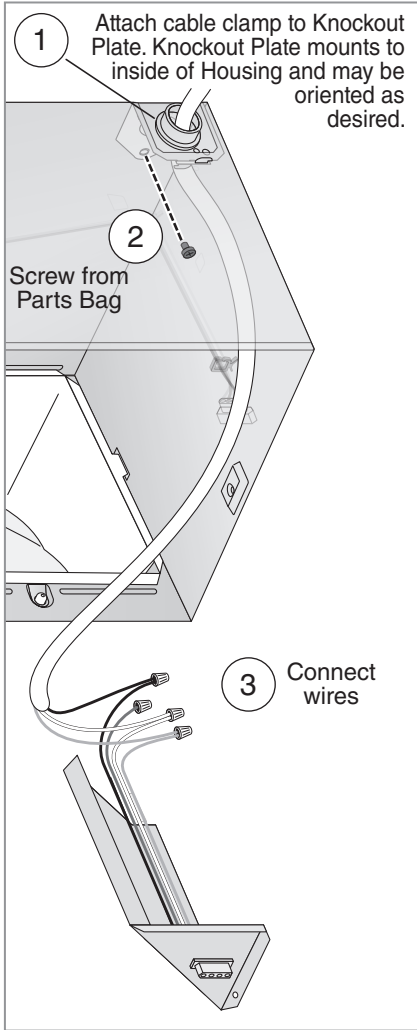
10 Attach Ducting and Duct Connector



Retrofit Installation

11 Install Knockout Plate, Connect Wires and Reinstall Wiring Panel

- Use proper UL-approved connectors to secure wiring to the Knockout Plate provided in Parts Bag.
- Connect wires as shown in wiring diagram.

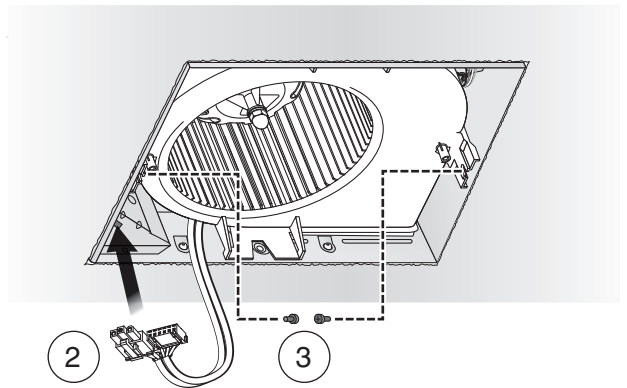
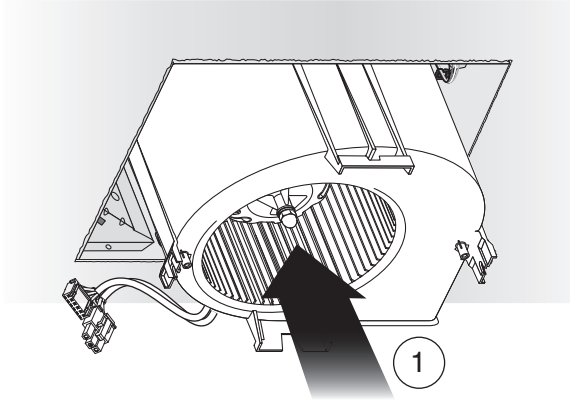


Retrofit Installation

12 Reinsert and Secure Blower Assembly

CAUTION ⚠ ⚡ **IN ORDER TO PREVENT MOTOR/CONTROL DAMAGE:**

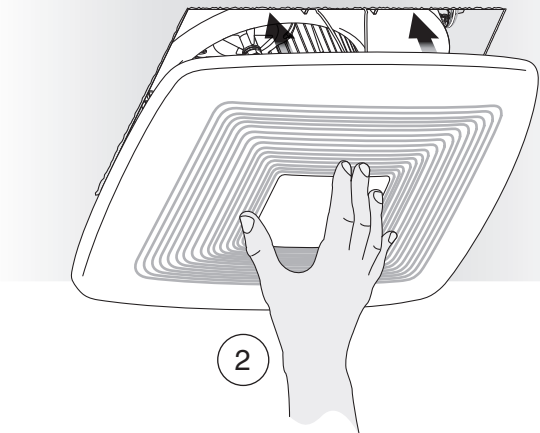
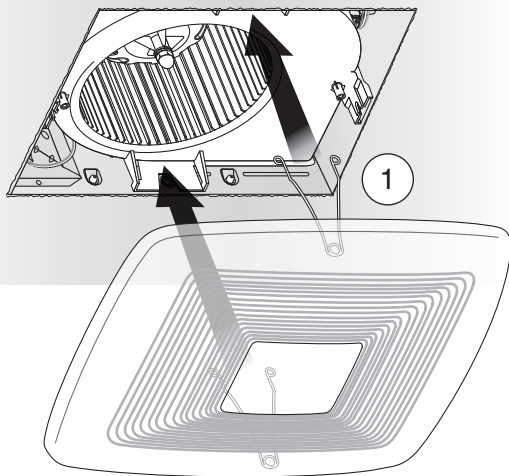
Power must be disconnected (see page 2, WARNING item 2) before inserting motor plugs into control assembly.




Screws from Parts Bag

If ceiling repairs are needed, place Mask in Housing after Blower Assembly is secured. See New Construction Installation Step 6. Remove Mask before installing Grille.

13 Install Grille



WARNING  Before servicing or cleaning unit, switch power off at service panel and lock the service disconnecting means to prevent power from being switched on accidentally. When the service disconnecting means cannot be locked, securely fasten a prominent warning device, such as a tag, to the service panel.

Operation

To Operate Fan

Use an ON/OFF switch to operate this ventilator.

It is normal for this ventilation fan to take approximately 5 seconds to start running after it is turned on.

Cleaning and Maintenance

CAUTION

IN ORDER TO PREVENT MOTOR/CONTROL DAMAGE:

DO NOT remove motor plug to stop spinning motor.

Power must be disconnected (see WARNING at top left of this page) before motor plug is removed or inserted into control assembly.

To Clean

For quiet and efficient operation, long life and attractive appearance, remove Grille and vacuum interior of unit with a dusting brush attachment.

The Motor is permanently lubricated and never needs oiling. If the motor bearings are making excessive or unusual noises, replace the Control Assembly and Motor.

Troubleshooting

Symptom: The fan does not run.

- Check for an open fuse or circuit breaker in the building's service panel.
- Check that the two (2) plug-in connections for the Motor and the Control are seated firmly in place.
- Check that the Blower Wheel spins freely.

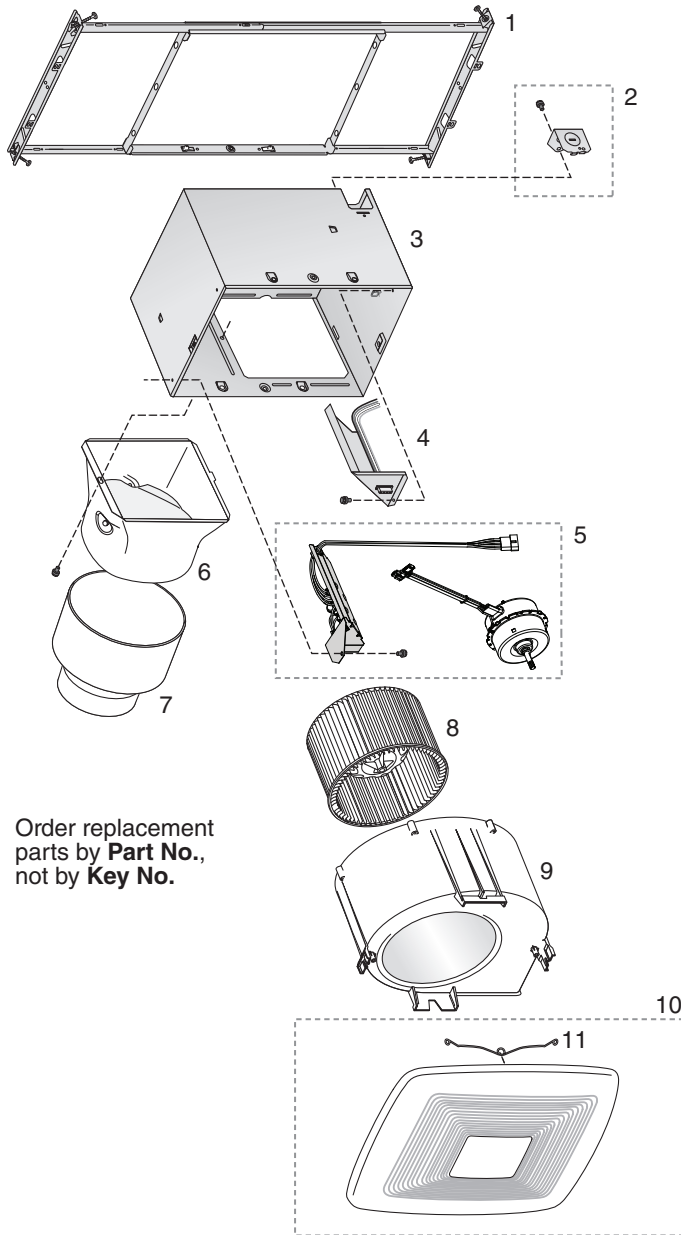
Symptom: The fan runs erratically.

- Check that the Blower Wheel is firmly attached to the Motor shaft and both spin freely.

Symptom: The fan seems noisy.

- Check that the back draft damper in the fan's Duct Connector pivots freely. Screws used to attach the duct to the Duct Connector may be preventing the damper from opening.
- Check that the back draft damper in the wall or roof cap pivots freely. These dampers are sometimes mistakenly painted shut or obstructed by bird and insect debris..

Service Parts



Order replacement parts by **Part No.**, not by **Key No.**

| Key No. | Part No. | Description |
|---------|----------|--|
| 1 | 97018349 | Mounting Frame |
| 2 | 97018721 | Knockout Plate & Screws |
| 3 | 97018382 | Housing |
| 4 | 97018471 | Wiring Panel/Harness Assembly |
| 5 | 1102584 | Control Assembly & Motor (XB50) |
| | 1102585 | Control Assembly & Motor (XB80) |
| | 1102586 | Control Assembly & Motor (XB110) |
| 6 | 97018331 | Duct Connector - 6" |
| 7 | 99111513 | 6" to 4" Reducer (models XB50 and XB80 only) |
| 8 | 99020301 | Blower Wheel |
| 9 | 97018768 | Scroll Assembly (XB110) |
| | 97019371 | Scroll Assembly (XB50, XB80) |
| 10 | 97018530 | Grille Assembly (includes 11) |
| 11 | 99140208 | Grille Spring (2 req'd) |

Warranty

Broan Ventilation Fans Limited Warranty

WARRANTY PERIOD: Broan warrants to the original consumer purchaser of its Broan Ventilation Fans (the "Fan") that your Fan will be materially free from defects in materials or workmanship for a period of three (3) years from the date of original purchase. This warranty does not cover accessories, such as speed controls, that may be purchased separately and installed with the Fan. The limited warranty period for replacement parts, and for Fans repaired or replaced under this limited warranty, shall continue for the remainder of the original warranty period.

NO OTHER WARRANTIES: THE FOREGOING WARRANTIES ARE EXCLUSIVE AND IN LIEU OF ANY OTHER WARRANTIES, EXPRESS OR IMPLIED. BROAN DISCLAIMS AND EXCLUDES ALL OTHER EXPRESS WARRANTIES, AND DISCLAIMS AND EXCLUDES ALL WARRANTIES IMPLIED BY LAW, INCLUDING WITHOUT LIMITATION THOSE OF MERCHANTABILITY AND FITNESS FOR A PARTICULAR PURPOSE. TO THE EXTENT THAT APPLICABLE LAW PROHIBITS THE EXCLUSION OF IMPLIED WARRANTIES, THE DURATION OF ANY APPLICABLE IMPLIED WARRANTY IS LIMITED TO THE PERIOD SPECIFIED FOR THE EXPRESS WARRANTY. Some states do not allow limitations on how long an implied warranty lasts, so the above limitation may not apply to you. Any oral or written description of the Fan is for the sole purpose of identifying it and shall not be construed as an express warranty.

REMEDY: During the applicable limited warranty period, Broan will, at its option, provide replacement parts for, or repair or replace, without charge, any Fan or part thereof, to the extent Broan finds it to be covered by and in breach of this limited warranty. Broan will ship the repaired or replaced Fan or replacement parts to you at no charge. You are responsible for all costs for removal, reinstallation and shipping, insurance or other freight charges incurred in the shipment of the Fan or part to Broan. This warranty does not cover (a) normal maintenance and service, (b) normal wear and tear, (c) any Fans or parts which have been subject to misuse, abuse, abnormal usage, negligence, accident, improper or insufficient maintenance, storage or repair (other than repair by Broan), (d) damage caused by faulty installation, or installation or use contrary to recommendations or instructions, (e) any Fan that has been moved from its original point of installation, (f) damage caused by environmental or natural elements, (g) damage in transit, (h) natural wear of finish, (i) Fans in commercial or nonresidential use, or (j) damage caused by fire, flood or other act of God. This warranty covers only Fans sold in the United States or through U.S. distributors authorized by Broan.

EXCLUSION OF DAMAGES: BROAN'S OBLIGATION TO PROVIDE REPLACEMENT PARTS, OR REPAIR OR REPLACE, AT BROAN'S OPTION, SHALL BE YOUR SOLE AND EXCLUSIVE REMEDY UNDER THIS LIMITED WARRANTY AND BROAN'S SOLE AND EXCLUSIVE OBLIGATION. BROAN SHALL NOT BE LIABLE FOR INCIDENTAL, INDIRECT, CONSEQUENTIAL OR SPECIAL DAMAGES ARISING OUT OF OR IN CONNECTION WITH THE FAN, ITS USE OR PERFORMANCE. Incidental damages include but are not limited to such damages as loss of time and loss of use. Consequential damages include but are not limited to the cost of repairing or replacing other property which was damaged if the Fan does not work properly.

Some states do not allow the exclusion or limitation of incidental or consequential damages, so the above limitation or exclusion may not apply to you. This warranty gives you specific legal rights, and you may also have other rights, which vary from state to state.

This warranty supersedes all prior warranties and is not transferable from the original consumer purchaser.

BROAN SHALL NOT BE LIABLE TO YOU, OR TO ANYONE CLAIMING UNDER YOU, FOR ANY OTHER OBLIGATIONS OR LIABILITIES, INCLUDING TO, OBLIGATIONS OR LIABILITIES ARISING OUT OF BREACH OF CONTRACT OR WARRANTY, NEGLIGENCE OR OTHER TORT OR ANY THEORY OF STRICT LIABILITY, WITH RESPECT TO THE FAN OR BROAN'S ACTS OR OMISSIONS OR OTHERWISE.

This warranty covers only replacement or repair of defective Fans or parts thereof at Broan's main facility and does not include the cost of field service travel and living expenses.

Any assistance Broan provides to or procures for you outside the terms, limitations or exclusions of this limited warranty will not constitute a waiver of such terms, limitations or exclusions, nor will such assistance extend or revive the warranty.

Broan will not reimburse you for any expenses incurred by you in repairing or replacing any defective Fan, except for those incurred with Broan's prior written permission.

HOW TO OBTAIN WARRANTY SERVICE: To qualify for warranty service, you must (a) notify Broan at the address or telephone number stated below within seven (7) days of discovering the covered defect, (b) give the model number and part identification and (c) describe the nature of any defect in the Fan or part. At the time of requesting warranty service, you must present evidence of the original purchase date.

Broan, 926 West State Street, Hartford, WI 53027

(1-800-637-1453)

www.broan.com

If you must send the Fan or part to Broan, as instructed by Broan, you must properly pack the Fan or part—Broan is not responsible for damage in transit.

LEA Y CONSERVE ESTAS INSTRUCCIONES

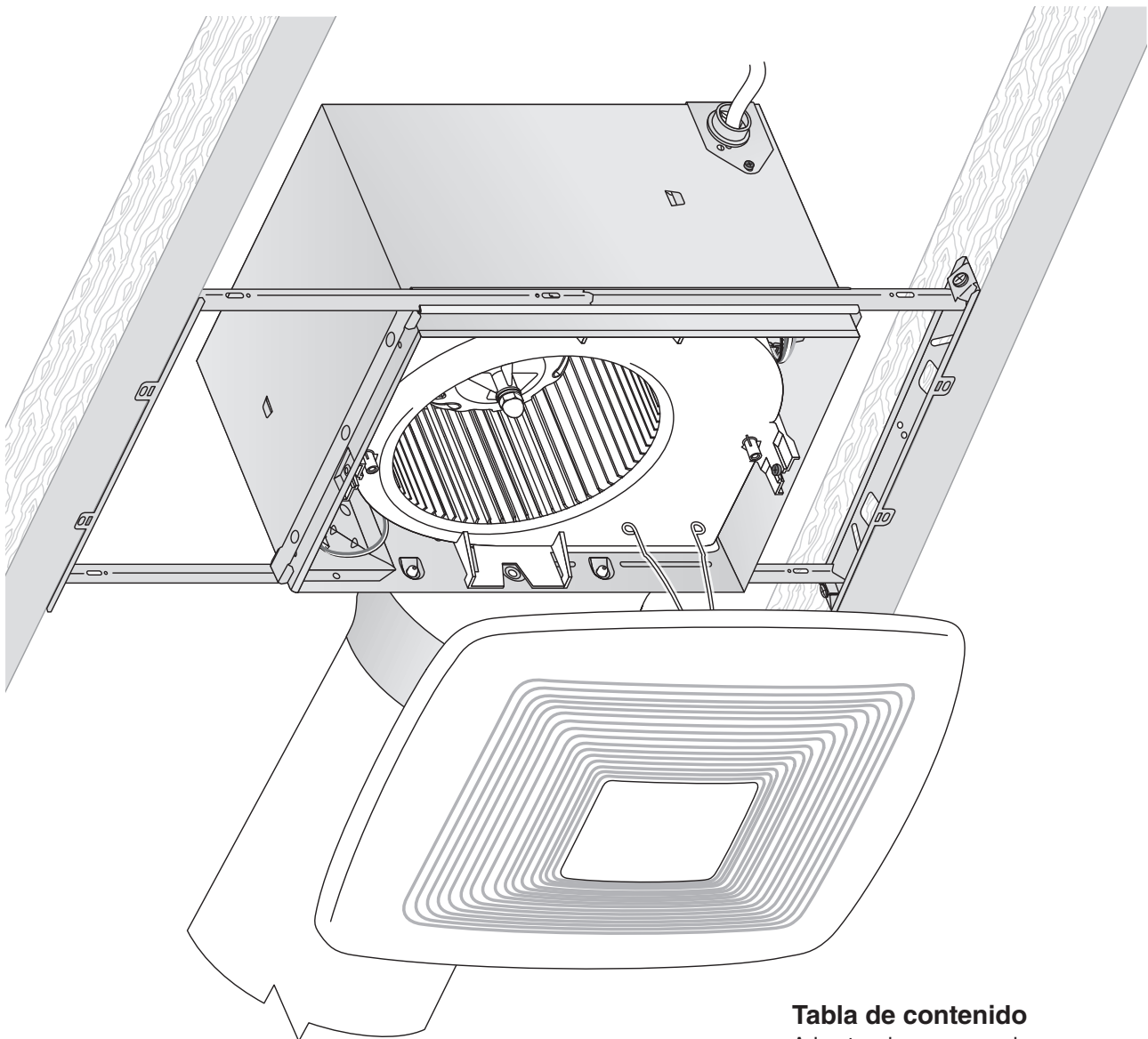
Instalador: entregue esta guía al dueño de casa.

Registre su producto en línea en el sitio www.broan.com/register.

XB50 ■ XB80 ■ XB110

X1 | Ventilador para ventilación con una única velocidad

GUÍA PARA LA INSTALACIÓN



Instalación sencilla tanto en construcciones nuevas como en modernizaciones

Tabla de contenido

| | |
|---------------------------------------|----|
| Advertencias y precauciones | 2 |
| Instalación típica | 2 |
| Instalación en una construcción nueva | 3 |
| Instalación en modernizaciones | 7 |
| Funcionamiento | 12 |
| Limpieza y mantenimiento | 12 |
| Identificación y solución de fallas | 12 |
| Repuestos | 13 |
| Garantía | 13 |

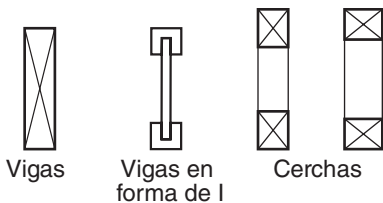
ADVERTENCIA

PARA REDUCIR EL RIESGO DE INCENDIO, SHOCK ELÉCTRICO O DAÑOS A LAS PERSONAS, RESPETE LAS SIGUIENTES INSTRUCCIONES:

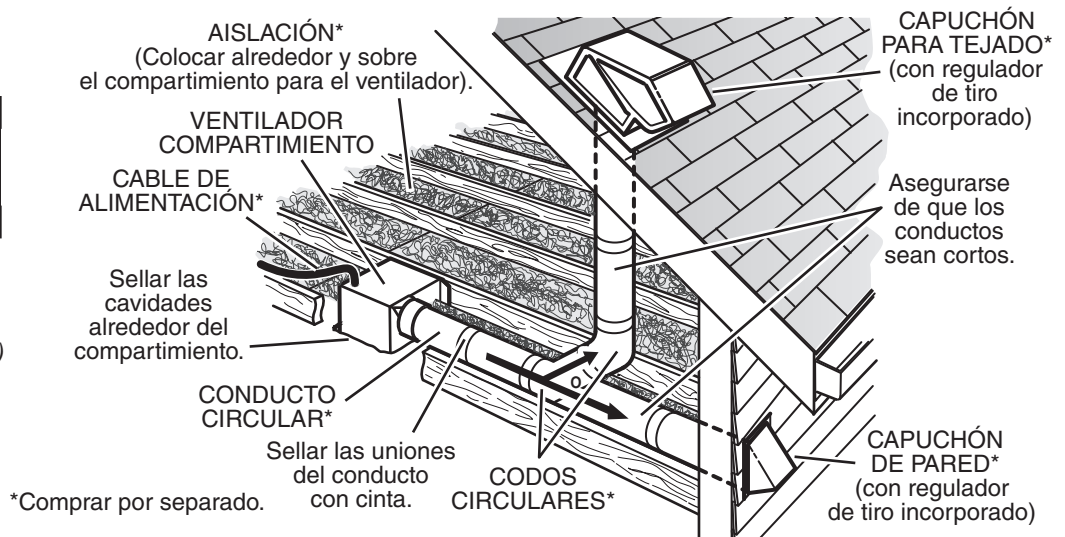
1. Utilice esta unidad sólo para el uso que describe el fabricante. Si tiene alguna pregunta, comuníquese con el fabricante a la dirección o al número de teléfono que aparece en la garantía.
2. Antes de realizar el servicio o de limpiar la unidad, corte el suministro eléctrico en el panel de servicio y bloquee el servicio desconectando los medios que evitan que se conecte la energía en forma accidental. Cuando no se puedan bloquear los medios que desconectan el servicio, coloque un dispositivo de alarma importante, como por ejemplo una etiqueta, en el panel de servicio.
3. Las tareas de instalación y el cableado eléctrico deben ser realizados por una persona/personas calificada/s según lo establecen todos los códigos y las normas aplicables, entre los que se incluyen códigos y normas para las construcciones con calificación contra incendios.
4. Se requiere suficiente aire para una correcta combustión y escape de gases a través del regulador de tiro (chimenea) del equipo que funciona a combustible para evitar contracorrientes. Siga las indicaciones del fabricante del equipo de calefacción y las normas de seguridad como las publicadas por la Asociación Nacional de Protección contra Incendios (NFPA) y la Sociedad Estadounidense de Ingenieros en Calefacción, Refrigeración y Aire Acondicionado (ASHRAE) y las autoridades locales regulatorias.
5. Al cortar o perforar las paredes o los techos, no dañe el cableado eléctrico u otros servicios que no se encuentran a la vista.
6. Los ventiladores conectados a conductos siempre deben tener ventilación hacia el exterior.
7. Use solamente un interruptor de ENCENDIDO/APAGADO, un temporizador mecánico o un control de relé-interruptor.
8. La unidad sólo debe conectarse a un circuito de alimentación protegido por un interruptor de circuito para fallas con conexión a tierra (ICFT).
9. Esta unidad debe estar conectada a tierra.

Instalación típica

- La instalación es similar para:



- Se adapta a la construcción de un techo de 5 cm x 20 cm (2 x 8 pulg.)
- Ajustar sin límite la posición del ventilador entre las vigas a una distancia de 35,5 cm a 61 cm (14 a 24 pulg.) del centro.



Los conductos desde este ventilador hacia el exterior del edificio tienen un gran efecto sobre el flujo de aire, el ruido y el uso de energía del ventilador. Utilice el tramo de conductos más corto y recto posible para obtener un desempeño óptimo y evite instalar el ventilador con conductos menores que los recomendados. El aislamiento alrededor de los conductos puede reducir la pérdida de energía e inhibir el desarrollo de moho. Los ventiladores instalados en conductos existentes podrían no obtener el flujo de aire nominal.

Para un mejor desempeño, se recomienda utilizar conductos metálicos redondos y rígidos de 6 pulg. (15,2 cm).

PRECAUCIÓN

1. Sólo debe utilizarse para ventilación general. No utilizar para ventilar materiales y vapores peligrosos o explosivos.
2. Este producto está diseñado para instalarse en techos con una pendiente de hasta 12/12 (ángulo de 45 grados). El conector del conducto debe estar orientado hacia arriba. **NO MONTAR ESTE PRODUCTO SOBRE LA PARED.**
3. Para evitar daños en los cojinetes del motor y/o impulsores desbalanceados y ruidosos, mantenga el rociado para los paneles de yeso, el polvo de la construcción, etc., lejos de la unidad eléctrica.
4. Lea la etiqueta con las especificaciones del producto para obtener más información y conocer los requisitos.



Instalación en una construcción nueva

Herramientas necesarias

- Destornillador eléctrico con punta Phillips
- Destornillador Phillips
- Destornillador de cabeza plana
- Pinza
- Pelacable para la aislación de los cables
- Pinza cortacable

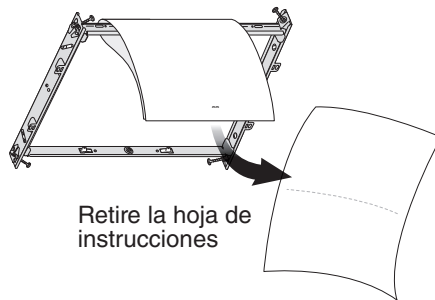
Materiales necesarios

- Conducto circular de metal de 6 pulg. recomendado para un mejor rendimiento.
Se acepta el uso de otro tipo de conducto pero esto puede afectar el rendimiento.
- Capuchón para tejado o de pared (se recomienda utilizar uno con regulador de tiro incorporado)
- Cinta para sellar las conexiones de los conductos
- Cables y accesorios eléctricos en cumplimiento de la normativa local

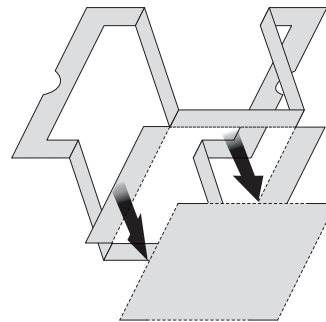
1 Retire el envase



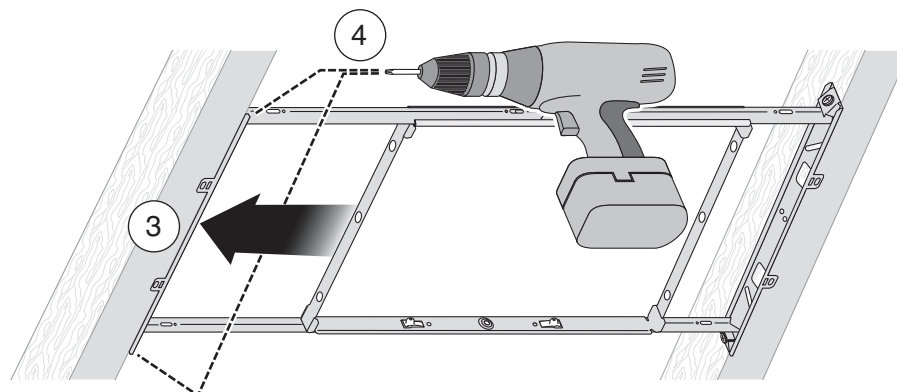
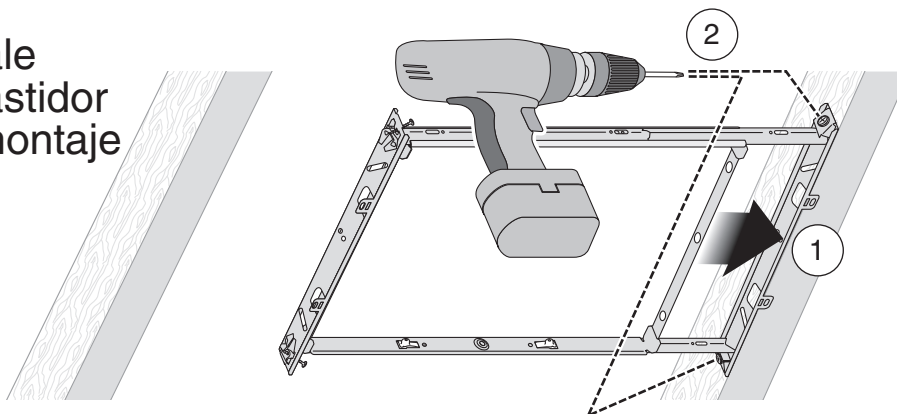
La bolsa de las piezas contiene una placa metálica y seis (6) pernos



Retire la máscara del envase. Consulte el Paso 6.

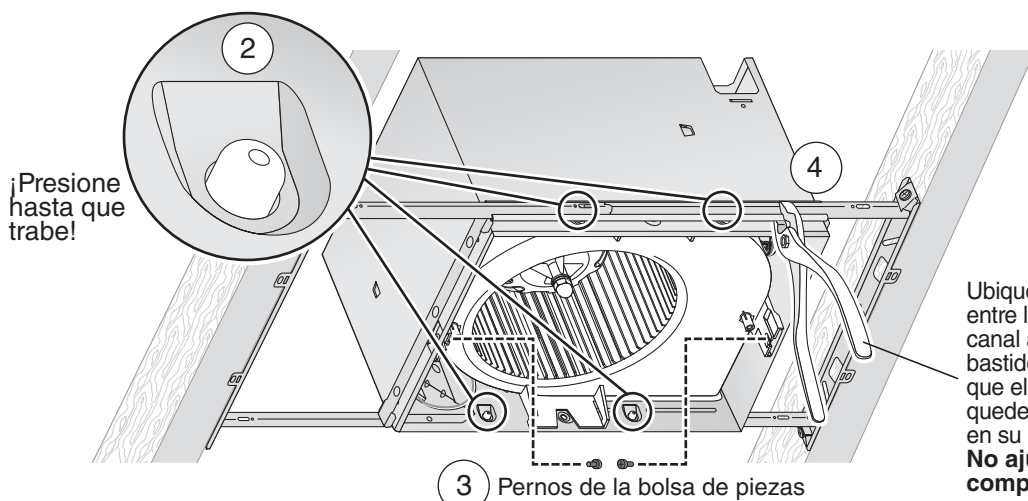
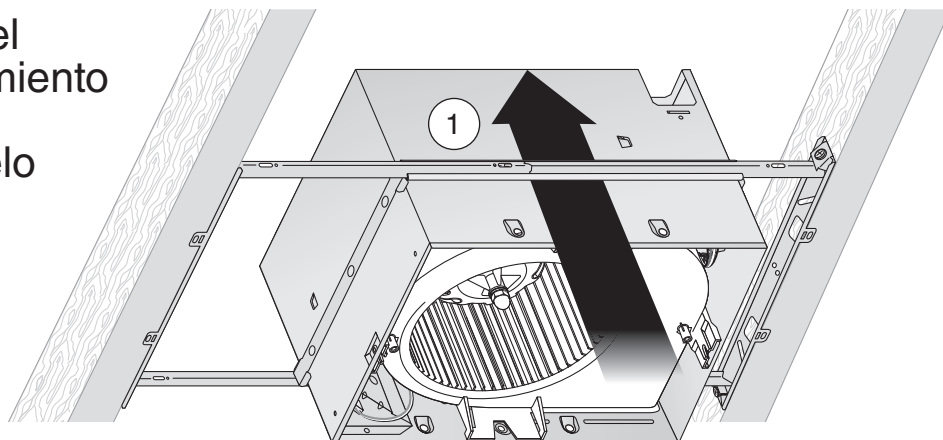


2 Instale el bastidor de montaje

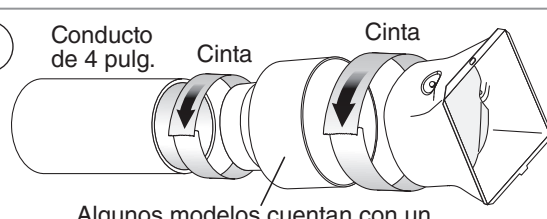
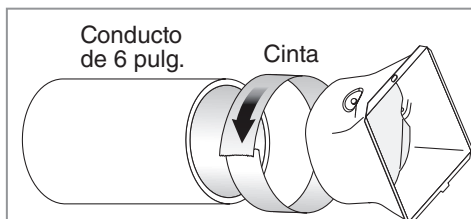
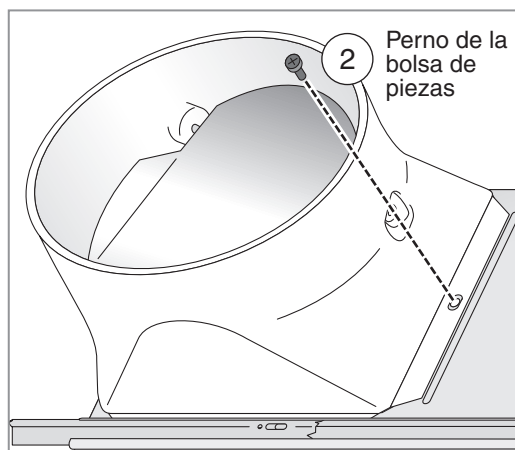
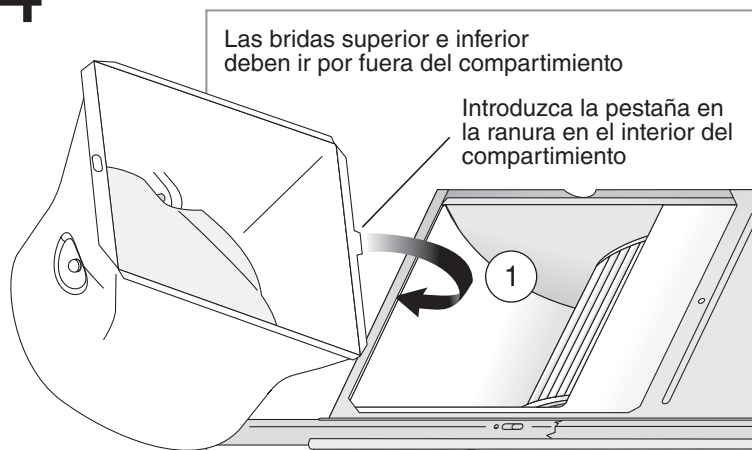


Instalación en una construcción nueva

3 Coloque el compartimento a presión y asegúrelo



4 Fije el conector del conducto y los conductos

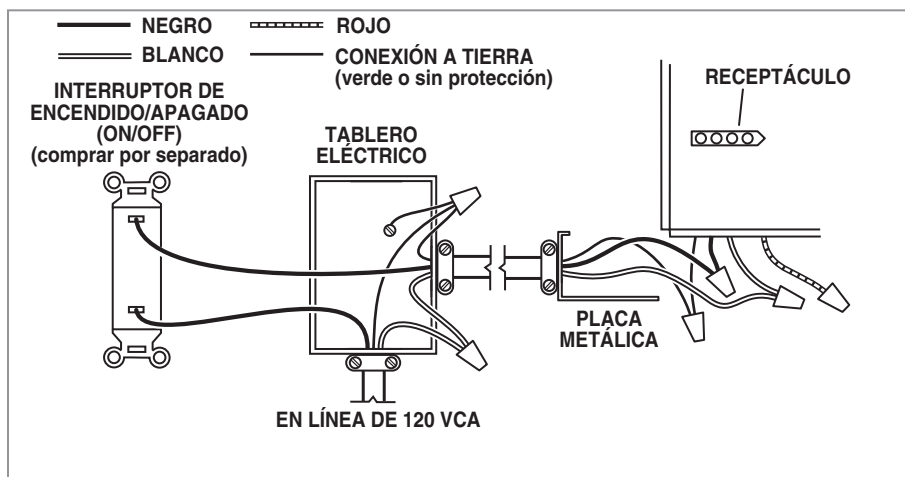
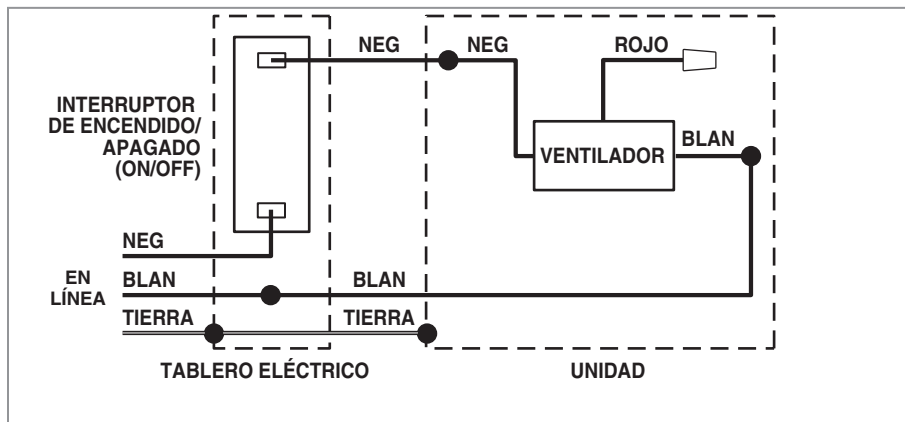
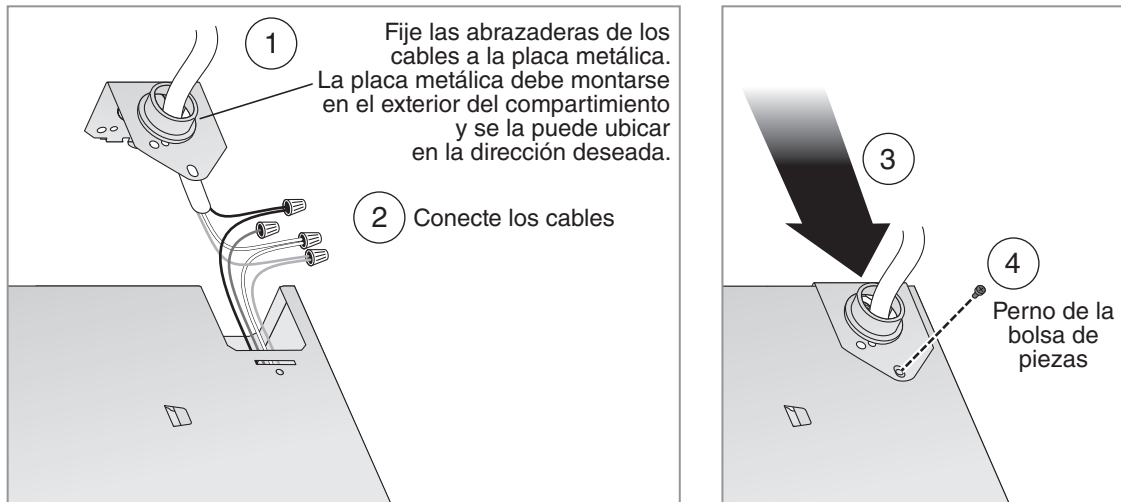


Algunos modelos cuentan con un adaptador de 6 a 4 pulg.

Instalación en una construcción nueva

5 Conecte los cables e instale la placa metálica

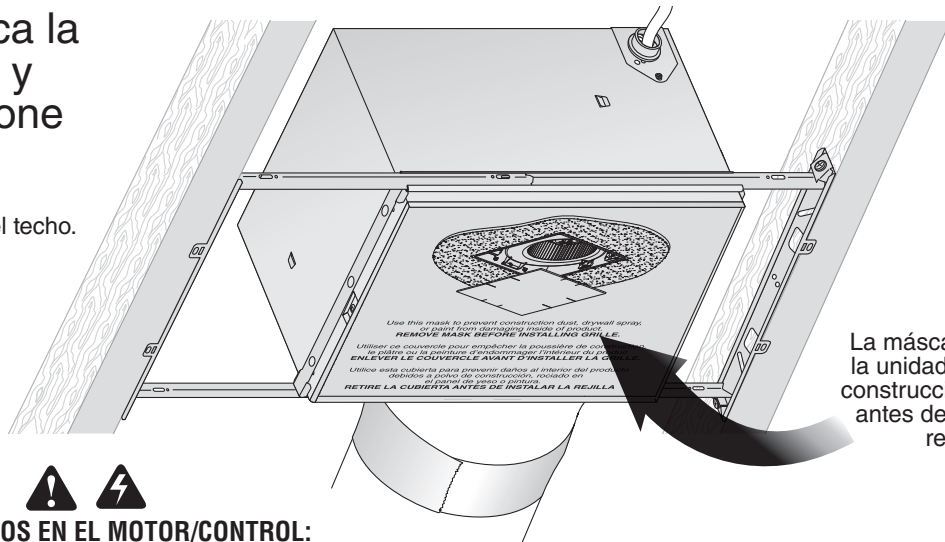
- Extienda un cableado eléctrico de 120 VCA hasta el sitio de la instalación.
- Utilice conectores aprobados por UL para asegurar el cableado hasta la placa metálica que se incluye en la bolsa de piezas.
- Conecte los cables como se muestra en el diagrama de cableado.



Instalación en una construcción nueva

6 Introduzca la máscara y acondicione el techo

- Instale el material del techo.
- Corte alrededor del compartimiento.



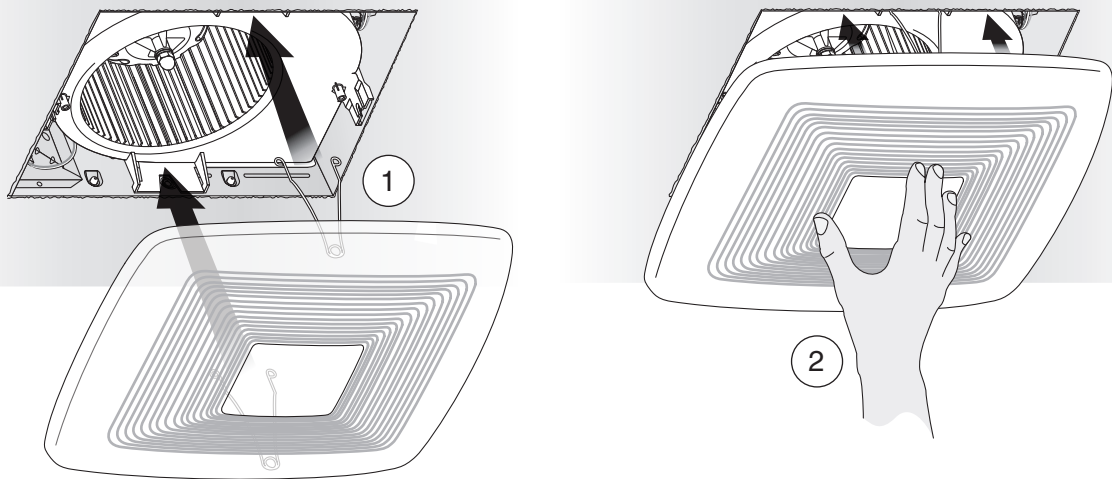
La máscara protege la unidad durante la construcción. Retírela antes de instalar la rejilla.

PRECAUCIÓN

PARA PREVENIR DAÑOS EN EL MOTOR/CONTROL:

Si el motor estaba desconectado, se debe desconectar la electricidad (vea la página 2, ADVERTENCIA, punto 2) antes de insertar los enchufes del motor en el conjunto de control.

7 Instale la rejilla



Consulte la página 12 sobre Funcionamiento, Limpieza y mantenimiento e Identificación y solución de fallas.

Instalación en modernizaciones

Herramientas necesarias

- Destornillador eléctrico con punta Phillips
- Destornillador Phillips
- Destornillador de cabeza plana
- Pinza
- Pelacable para la aislación de los cables
- Pinza cortacable
- Regla
- Lápiz
- Sierra para paneles de yeso
- Martillo de orejas o palanca
- Cuchillo multiuso

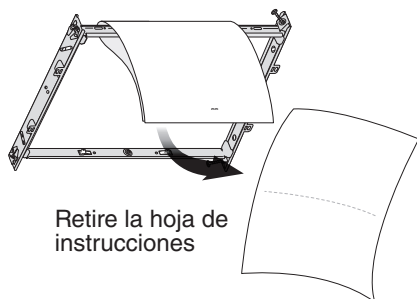
Materiales necesarios

- Cinta para sellar las conexiones de los conductos
- Los conductos rígidos existentes requerirán el agregado de tramos cortos de un conducto flexible
- Cables y accesorios eléctricos en cumplimiento de la normativa local

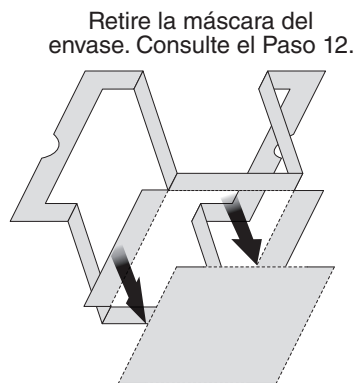
1 Retire el envase



La bolsa de las piezas contiene una placa metálica y seis (6) pernos



Retire la hoja de instrucciones



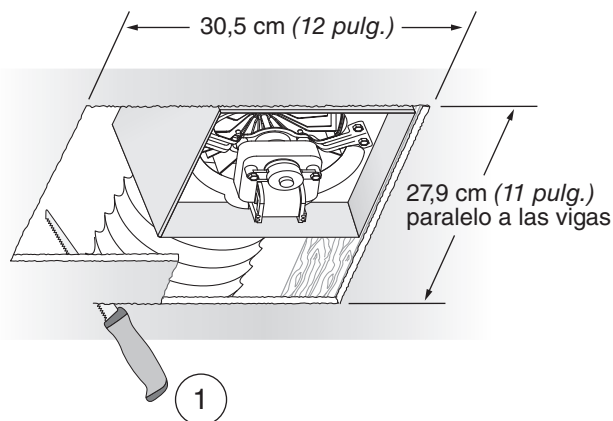
Retire la máscara del envase. Consulte el Paso 12.

2 Desconecte el suministro de energía

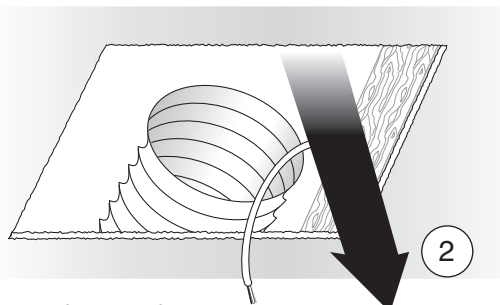
ADVERTENCIA ⚡

Antes de retirar el ventilador existente, desconecte el suministro eléctrico en el panel de servicio y bloquee el servicio desconectando los medios para evitar que se active el suministro de energía en forma accidental. Cuando no se puedan bloquear los medios que desconectan el servicio, coloque un dispositivo de alarma importante, como por ejemplo una etiqueta, en el panel de servicio.

3 Aumente la abertura del techo y retire el ventilador existente

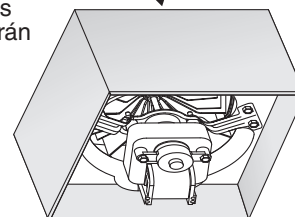


1



2

Los conductos existentes y los cables permanecerán en su sitio

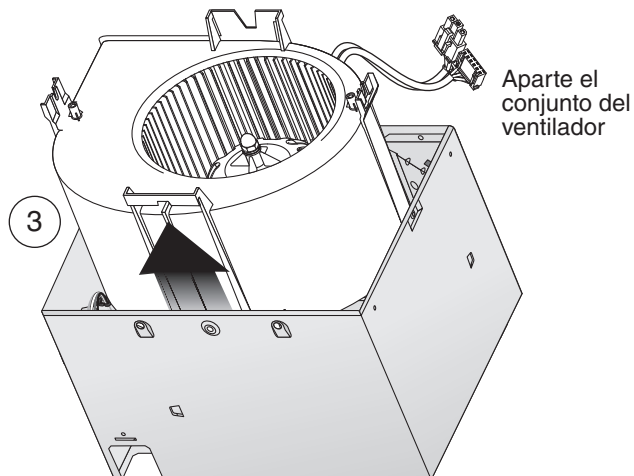
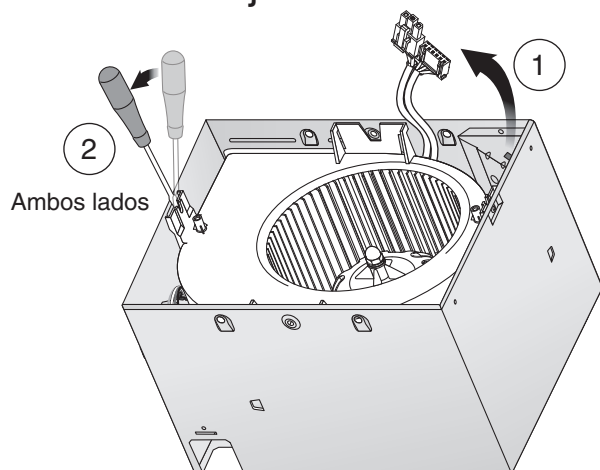


4 Verifique el cableado

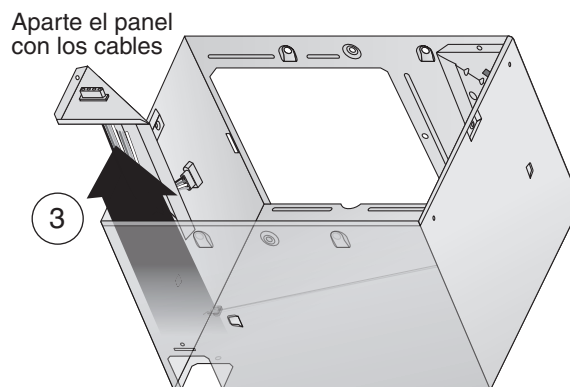
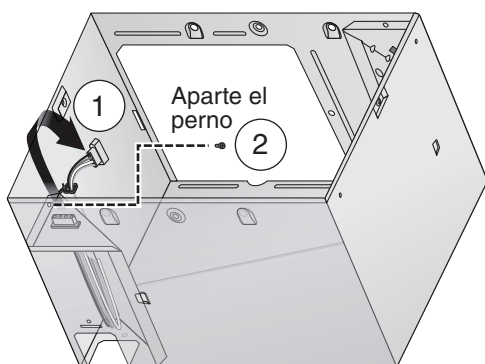
Verifique el cableado existente para asegurarse de que no esté dañado. En caso de determinar algún daño, **NO CONTINÚE CON LA INSTALACIÓN** de este producto. Comuníquese con la(s) persona(s) calificada(s) para realizar la reparación.

Instalación en modernizaciones

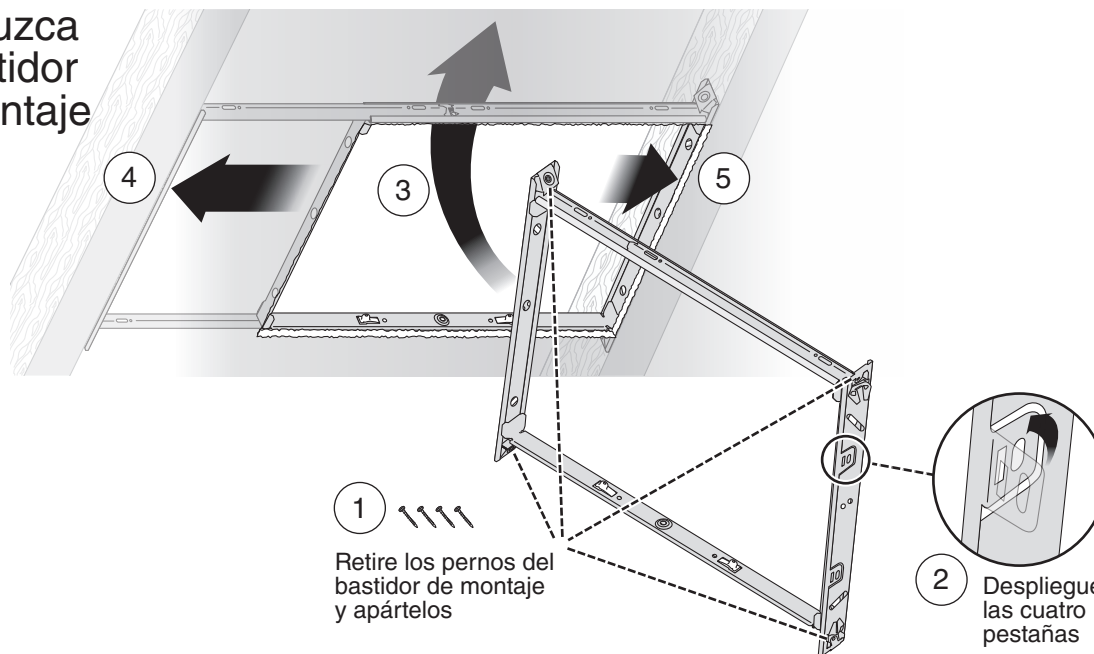
5 Retire el conjunto del ventilador



6 Retire el panel con los cables

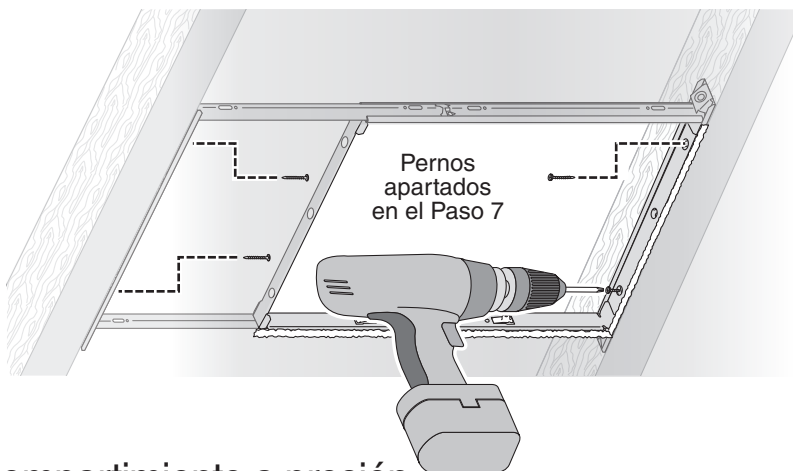


7 Introduzca el bastidor de montaje

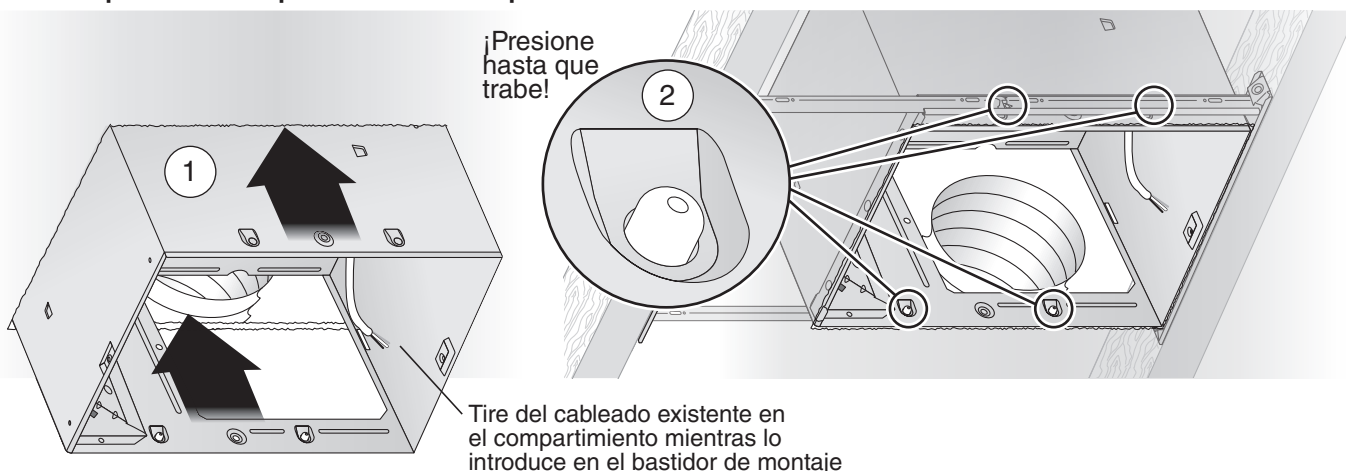


Instalación en modernizaciones

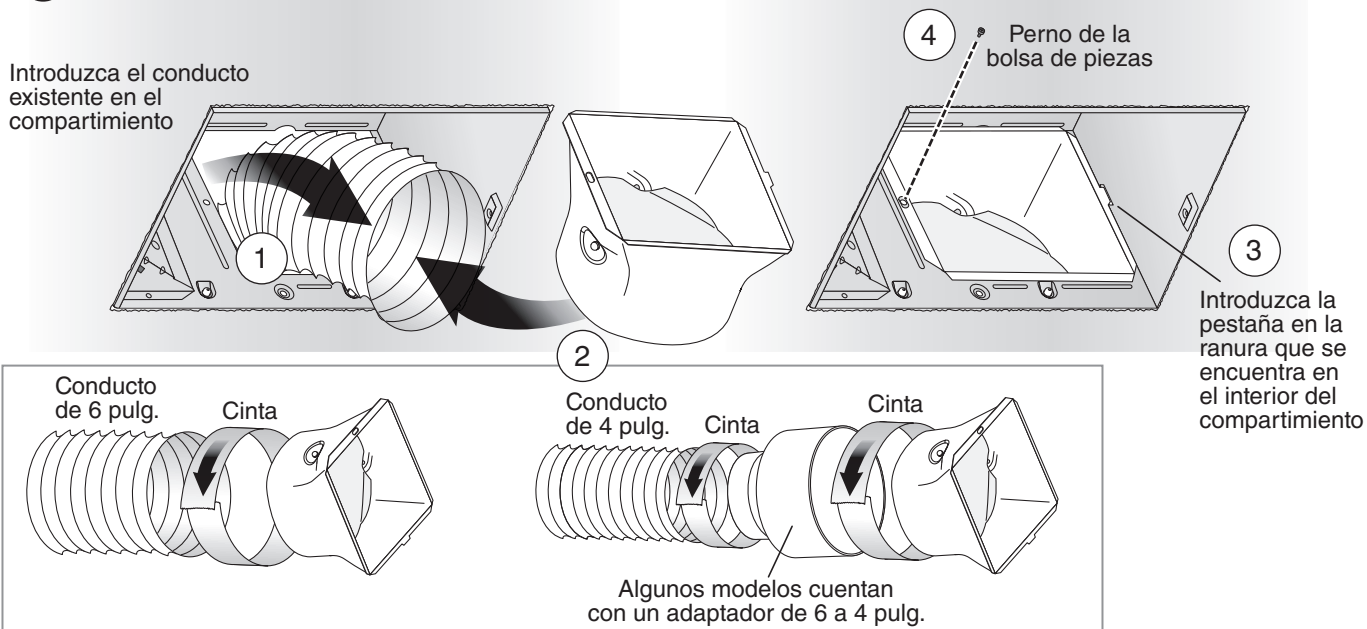
8 Asegure el bastidor de montaje



9 Coloque el compartimento a presión



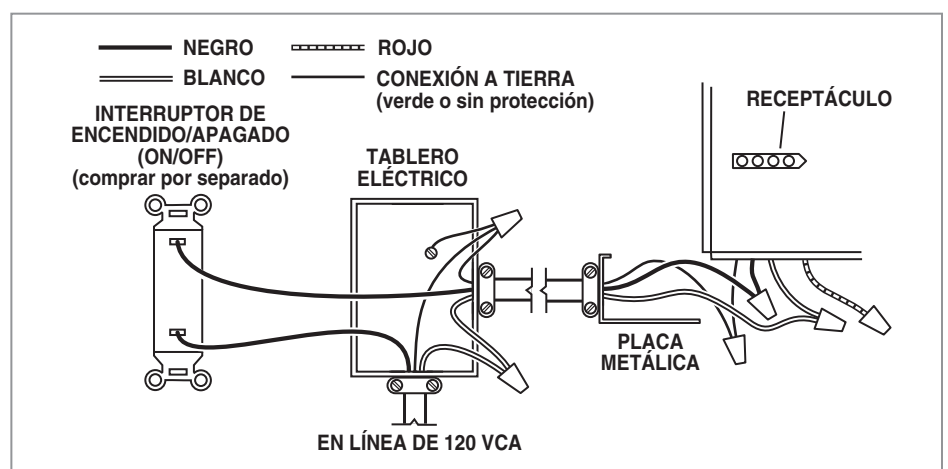
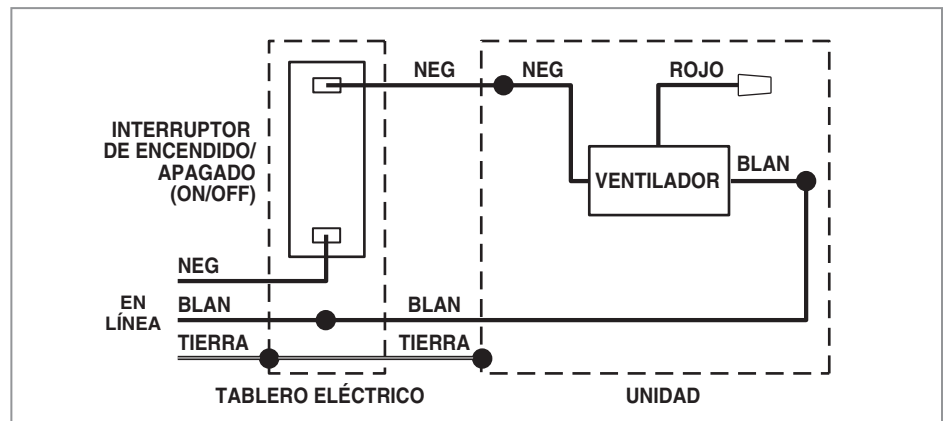
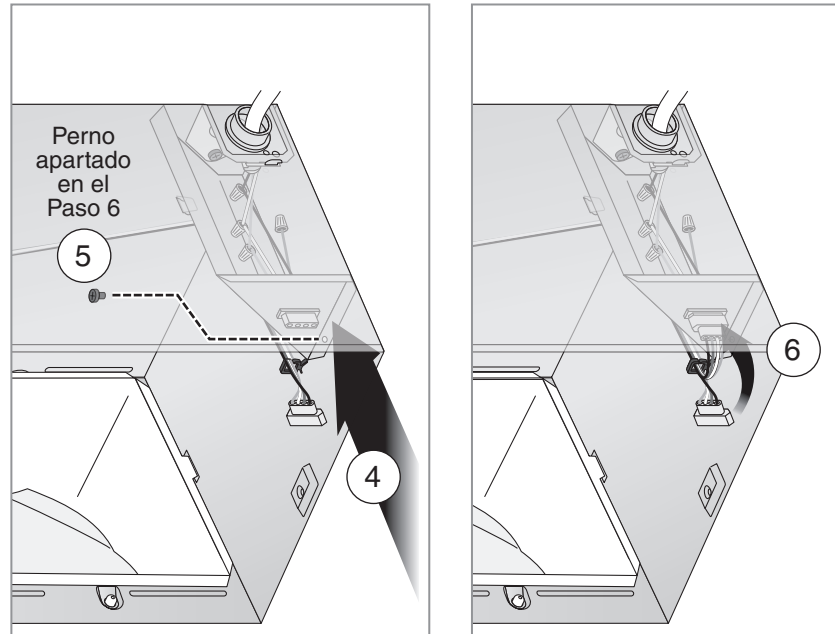
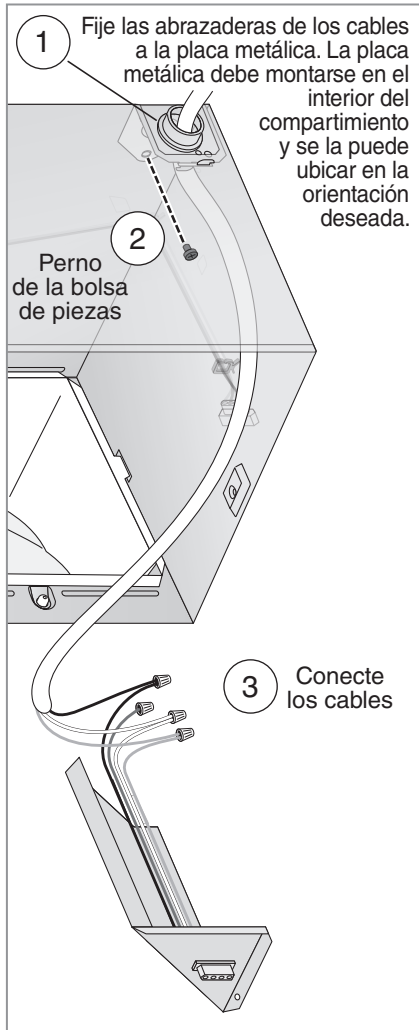
10 Fije el conector del conducto y los conductos



Instalación en modernizaciones

11 Instale la placa metálica, conecte los cables e reinstale el panel de cableado

- Utilice conectores aprobados por UL para asegurar el cableado hasta la placa metálica que se incluye en la bolsa de piezas.
- Conecte los cables como se muestra en el diagrama de cableado.

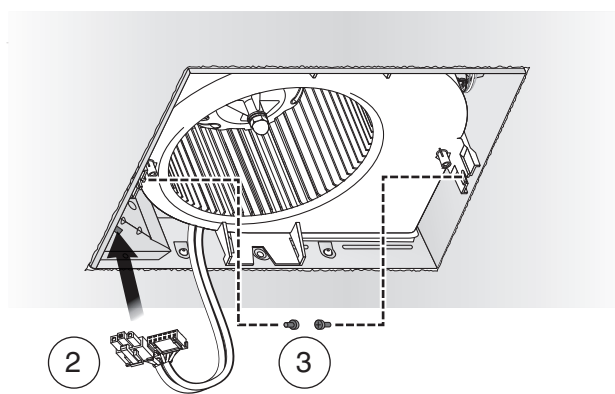
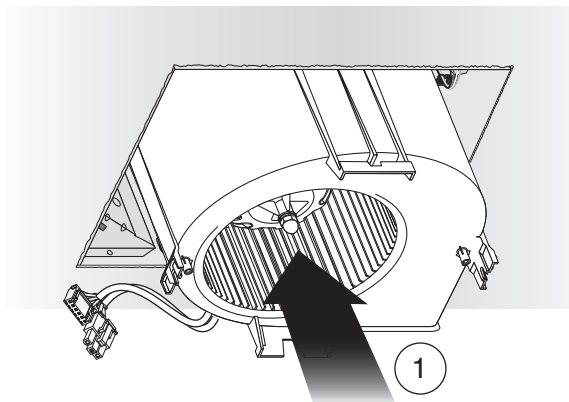


Instalación en modernizaciones

12 Reintroduzca y asegure el conjunto del ventilador

PRECAUCIÓN ⚠ ⚡ **PARA PREVENIR DAÑOS EN EL MOTOR/CONTROL:**

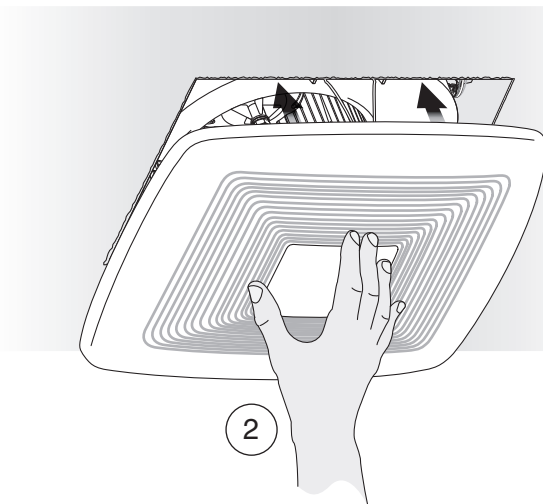
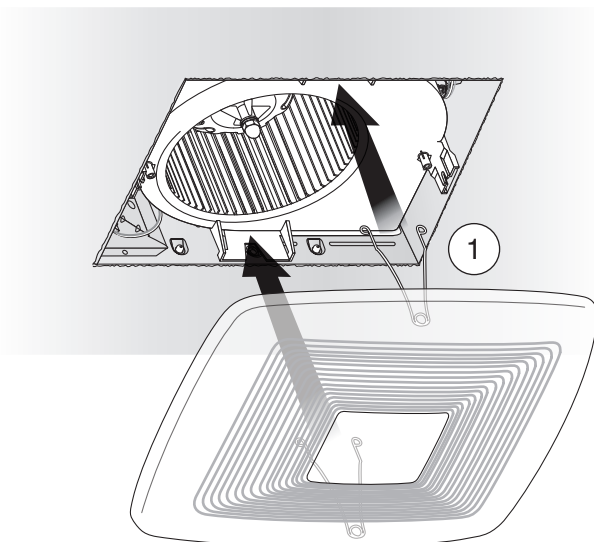
Debe desconectar la electricidad (vea la página 2, ADVERTENCIA, punto 2) antes de insertar los enchufes del motor en el conjunto de control.




Pernos de la bolsa de piezas

Si fuera necesario efectuar reparaciones en el techo, coloque la máscara en el compartimiento después de asegurar el conjunto del ventilador. Consulte el Paso 6 de Instalación en una construcción nueva. Retire la máscara antes de instalar la rejilla.

13 Instale la rejilla



ADVERTENCIA  Antes de realizar el servicio o de limpiar la unidad, corte el suministro eléctrico en el panel de servicio y bloquee el servicio desconectando los medios que evitan que se conecte la energía en forma accidental. Cuando no se puedan bloquear los medios que desconectan el servicio, coloque un dispositivo de alarma importante, como por ejemplo una etiqueta, en el panel de servicio.

Funcionamiento

Funcionamiento del ventilador

Utilice el interruptor de encendido/apagado (ON/OFF) para hacer funcionar este ventilador.

Es normal que este ventilador para tomar aproximadamente 5 segundos para empezar a correr después de que se encienda.

Limpieza y mantenimiento

PRECAUCIÓN

PARA PREVENIR DAÑOS EN EL MOTOR/CONTROL:

NO retire el enchufe del motor para detener el giro del motor. La electricidad debe estar desconectada (vea la ADVERTENCIA en la parte superior izquierda de esta página) antes de retirar o insertar el enchufe del motor en el conjunto de control.

Limpieza

Para un funcionamiento silencioso y eficiente, una vida útil prolongada y una atractiva apariencia, retire la rejilla y aspire el interior de la unidad con un accesorio en forma de cepillo para eliminar el polvo.

El motor siempre permanecerá lubricado y no será necesario agregarle aceite. Si los cojinetes del motor produjeran demasiado ruido o ruidos inusuales, reemplace el conjunto del control y el motor.

Identificación y solución de fallas

Síntoma: El ventilador no funciona.

- Verifique la presencia de un fusible o interruptor abierto en el panel de servicios del edificio.
- Verifique que las dos (2) conexiones del motor y del control estén bien unidas.
- Verifique que el ventilador centrífugo gire libremente.

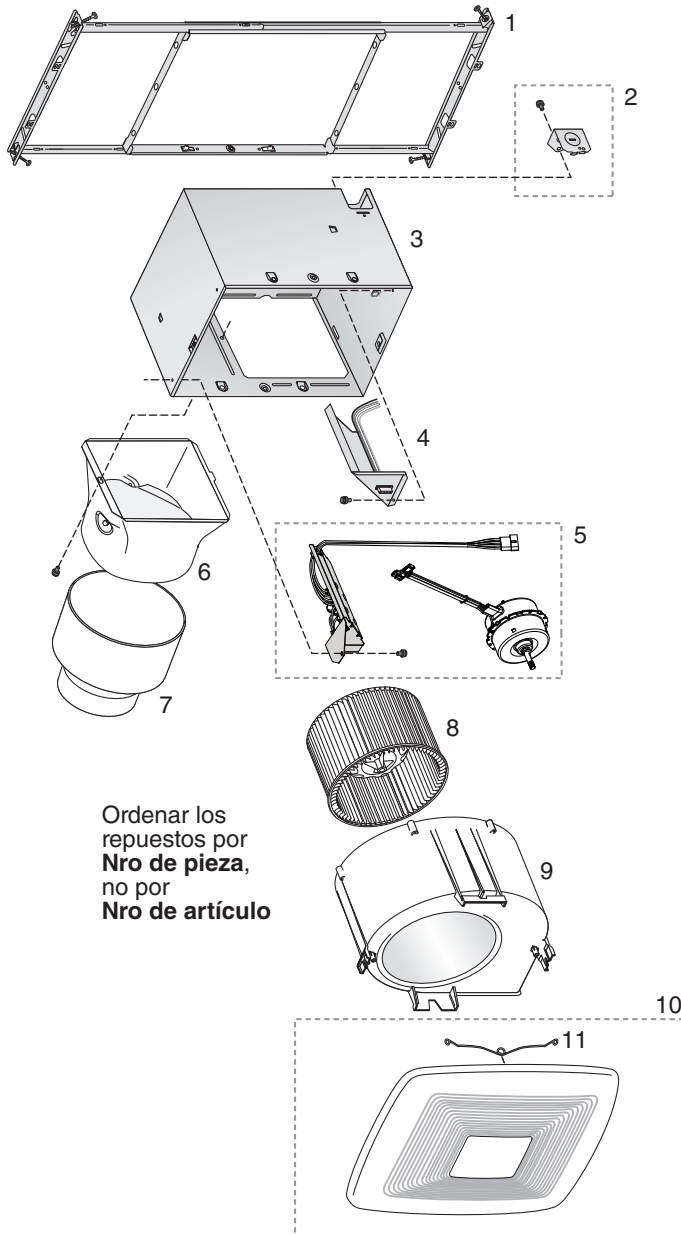
Síntoma: El ventilador funciona en forma errática.

- Verifique que el ventilador centrífugo esté fijo al eje del motor y que ambos giren libremente.

Síntoma: El ventilador genera ruidos.

- Verifique que el regulador de tiro para la contracorriente en el conector del conducto del ventilador gire libremente. Los pernos que se utilizan para fijar el conducto al conector del conducto pueden estar evitando que se abra el regulador de tiro.
- Verifique que el regulador de tiro para la contracorriente en el capuchón de la pared o del tejado gire libremente. A menudo, estos reguladores se pintan por error y se cierran o se obstruyen por los residuos de aves e insectos.

Repuestos



Ordenar los repuestos por **Nro de pieza**, no por **Nro de artículo**

| Nro de artículo | Nro de pieza | Descripción |
|-----------------|--------------|---|
| 1 | 97018349 | Bastidor de montaje |
| 2 | 97018721 | Placa metálica y pernos |
| 3 | 97018382 | Compartimiento |
| 4 | 97018471 | Conjunto de panel de cableado/arnés |
| 5 | 1102584 | Montaje de control y motor (XB50) |
| | 1102585 | Conjunto de control y motor (XB80) |
| | 1102586 | Conjunto de control y motor (XB110) |
| 6 | 97018331 | Conector del conducto - 6 pulg. |
| 7 | 99111513 | Adaptador de 6 a 4 pulg. (sólo en los modelos XB50 y XB80) |
| 8 | 99020301 | Ventilador centrífugo |
| 9 | 97018768 | Conjunto de desplazamiento (XB110) |
| | 97019371 | Conjunto de desplazamiento (XB50, XB80) |
| 10 | 97018530 | Conjunto de la rejilla (incluye 11) |
| 11 | 99140208 | Resorte de la rejilla (se requieren 2) |

Garantía

Garantía limitada para los ventiladores para ventilación Broan

PERÍODO DE LA GARANTÍA: Broan le garantiza al comprador consumidor original de los Ventiladores para ventilación Broan (el "Ventilador") que su ventilador no presentará defectos de material o de mano de obra durante un período de tres (3) años a partir de la fecha de la compra original. Esta garantía no cubre accesorios tales como controles de velocidad que pueden adquirirse por separado y que se instalan con el Ventilador.

El período de garantía limitada para los repuestos y para los Ventiladores reparados o reemplazados bajo esta garantía limitada continuará durante el período restante de la garantía original.

AUSENCIA DE OTRAS GARANTÍAS: LAS SIGUIENTES GARANTÍAS SON EXCLUSIVAS Y SE RELACIONAN CON TODA OTRA GARANTÍA EXPRESA O IMPLÍCITA. BROAN RENUNCIA Y EXCLUYE TODA OTRA GARANTÍA EXPRESA Y RENUNCIA Y EXCLUYE TODA GARANTÍA QUE EXIJA LA LEY, INCLUYENDO PERO NO LIMITÁNDOSE A AQUELLAS RELACIONADAS CON LA COMERCIABILIDAD Y LA APTITUD PARA UN FIN EN PARTICULAR. EN TANTO LA LEY CORRESPONDIENTE PROHIBA LA EXCLUSIÓN DE LAS GARANTÍAS IMPLÍCITAS, LA DURACIÓN DE TODA GARANTÍA IMPLÍCITA APLICABLE SE LIMITA AL PERÍODO ESPECIFICADO PARA LA GARANTÍA EXPRESA. Algunos estados no permiten limitaciones sobre cuál es la duración de una garantía implícita, de modo que la limitación antes mencionada puede no aplicarse a su caso. Toda descripción escrita u oral del Ventilador es al sólo fin de identificarlo y no deberá tomarse como una garantía expresa.

COMPENSACIÓN: Durante el transcurso del período aplicable de la garantía limitada, Broan, a su discreción, proporcionará repuestos, reparación o reemplazo, en forma gratuita, para cualquier Ventilador o alguna de sus piezas, en tanto Broan considere que está cubierto por y en violación de esta garantía limitada. Broan le enviará el Ventilador reparado o su reemplazo o los repuestos en forma gratuita. Usted es responsable de los costos de retiro, reinstalación y envío, seguros y otros cargos por flete que se generen durante el transporte del Ventilador o del repuesto a Broan.

Esta garantía no cubre (a) el mantenimiento y el servicio normales, (b) el desgaste normal, (c) todo Ventilador o repuesto sometido a mal uso, abuso, uso anormal, negligencia, accidente, mantenimiento inadecuado o insuficiente, conservación o reparación (que no sea la reparación realizada por Broan), (d) daños provocados por instalación defectuosa o instalación o uso contrario a las recomendaciones o instrucciones, (e) todo Ventilador que se haya trasladado del punto original de instalación, (f) daño provocado por elementos naturales o ambientales, (g) daño durante el transporte, (h) desgaste natural del acabado, (i) Ventiladores en uso comercial o no residencial o (j) daño provocado por incendio, inundación u otro caso fortuito. Esta garantía cubre sólo a los Ventiladores que se venden en los Estados Unidos o a través de representantes de los Estados Unidos autorizados por Broan.

EXCLUSIÓN DE DAÑOS: LA OBLIGACIÓN DE BROAN DE PROPORCIONAR REPUESTOS O LA REPARACIÓN O EL REEMPLAZO, A DISCRECIÓN DE BROAN, SERÁ LA ÚNICA Y EXCLUSIVA COMPENSACIÓN BAJO EL AMPARO DE ESTA GARANTÍA LIMITADA Y LA ÚNICA Y EXCLUSIVA OBLIGACIÓN DE BROAN. BROAN NO SERÁ RESPONSABLE DE DAÑOS INCIDENTALES, INDIRECTOS, EMERGENTES O ESPECIALES QUE SURJAN DE O EN CONEXIÓN CON EL VENTILADOR, SU USO O FUNCIONAMIENTO. Los daños incidentales incluyen, pero no se limitan a, daños tales como pérdida de tiempo o pérdida del uso. Los daños emergentes incluyen pero no se limitan al costo de la reparación o reemplazo de otra propiedad que haya sufrido daños en caso del mal funcionamiento del Ventilador.

Algunos estados no permiten la exclusión o la limitación de los daños incidentales o emergentes, de modo que la limitación o la inclusión antes mencionada puede no aplicarse a su caso. Esta garantía le otorga derechos legales específicos y usted también podrá gozar de otros derechos que varían según el estado. Esta garantía reemplaza a todas las garantías anteriores y no es transferible por el comprador consumidor original.

BROAN NO SERÁ RESPONSABLE ANTE USTED, O ANTE CUALQUIER PERSONA QUE RECLAME EN SU NOMBRE, DE NINGUNA OTRA OBLIGACIÓN O RESPONSABILIDAD, QUE INCLUYE, PERO NO SE LIMITA A, LAS OBLIGACIONES O RESPONSABILIDADES QUE SURJAN DE LA VIOLACIÓN DEL CONTRATO O DE LA GARANTÍA, NEGLIGENCIA U OTRO AGRAVIO O CUALQUIER TEORÍA SOBRE LA RESPONSABILIDAD ESTRUCTIVA, CON RESPECTO AL VENTILADOR O A LOS ACTOS U OMISIONES U OTROS POR PARTE DE BROAN.

Esta garantía cubre sólo el reemplazo o la reparación de los Ventiladores o piezas con defectos del mismo en la plana principal de Broan y no incluye los costos del transporte del servicio en campo ni los gastos de estadía.

Toda asistencia que Broan le brinde o procure fuera de los términos, las limitaciones o las exclusiones de esta garantía limitada no constituirá una renuncia a dichos términos, limitaciones o exclusiones ni dicha asistencia extenderá o revivirá la garantía.

Broan no le reembolsará ningún gasto en el que usted incurra en la reparación o reemplazo de cualquier Ventilador defectuoso excepto por aquellos en los que incurra previo a la obtención del permiso por escrito de Broan.

CÓMO OBTENER EL SERVICIO DE LA GARANTÍA: Para calificar para el servicio de garantía, usted debe (a) notificar a Broan el domicilio o el número de teléfono que figura a continuación dentro de los siete (7) días de haber descubierto el defecto cubierto, (b) brindar el número de modelo y la identificación de la pieza y (c) describir la naturaleza de cualquier defecto del Ventilador o de la pieza. A la hora de solicitar el servicio de garantía, usted debe presentar prueba de la fecha original de la compra. Broan, 926 West State Street, Hartford, WI 53027
(1-800-637-1453)
www.broan.com

Si usted debe enviar el Ventilador o la pieza a Broan, según las indicaciones de Broan, debe embalar el Ventilador o la pieza en forma adecuada. Broan no es responsable de los daños ocasionados durante el transporte.

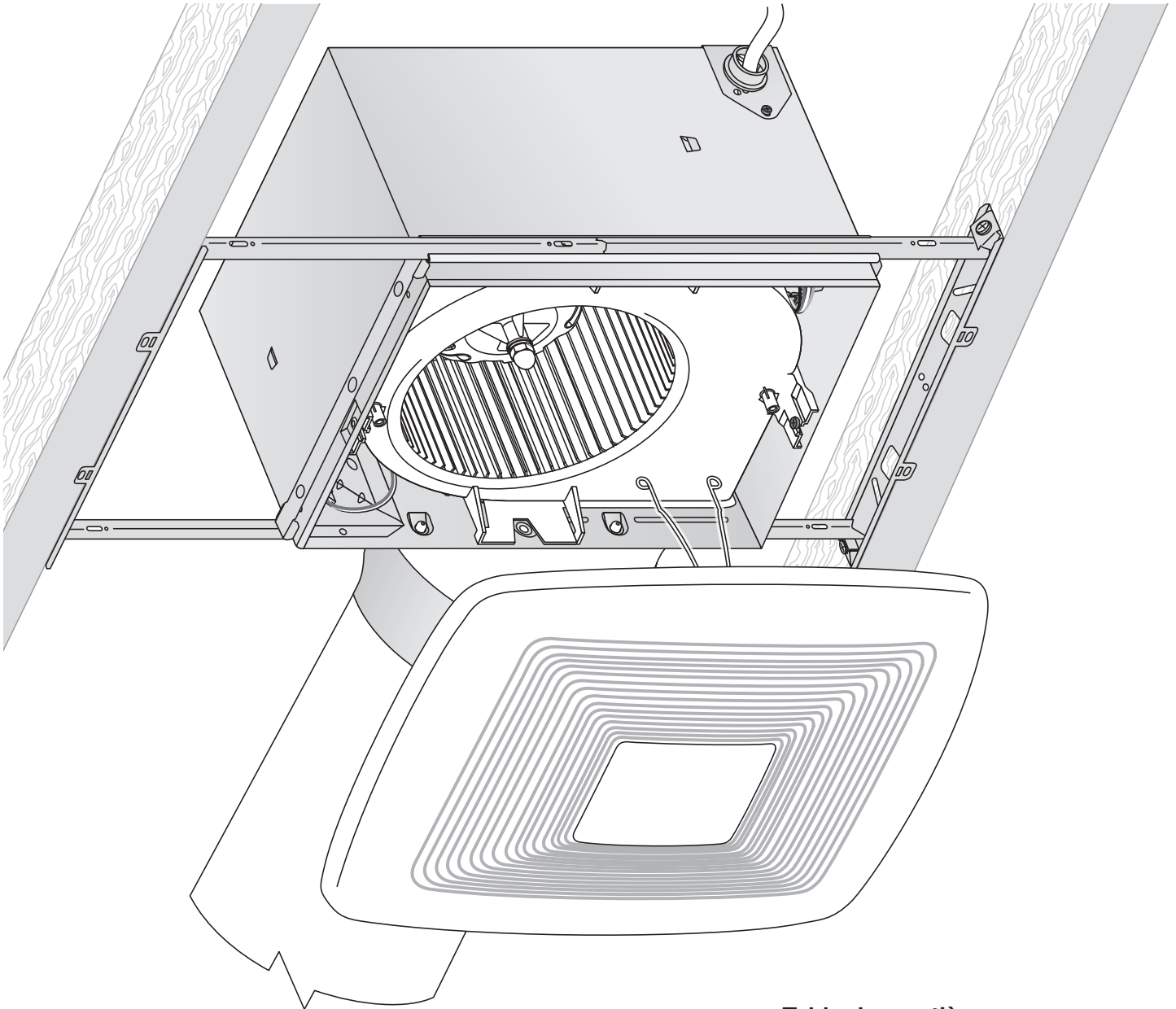


LISEZ ET CONSERVEZ CES INSTRUCTIONS

À l'attention de l'installateur : laissez ce guide chez le client.

Enregistrez votre produit en ligne sur www.broan.ca/register.asp.

XB50 ■ XB80 ■ XB110
X1 | Ventilateur monovitesse
GUIDE D'INSTALLATION



**Installation facile,
lors de construction
neuve ou de rénovations**

Table des matières

| | |
|--|----|
| Avertissements et mises en garde | 2 |
| Installation type | 2 |
| Installation dans une construction neuve | 3 |
| Installation lors de modernisation | 7 |
| Fonctionnement | 12 |
| Nettoyage et entretien | 12 |
| Dépannage | 12 |
| Pièces de rechange | 13 |
| Garantie | 13 |

AVERTISSEMENT

POUR DIMINUER LE RISQUE D'INCENDIE, D'ÉLECTROCUTION OU DE BLESSURE, RESPECTER LES PRÉCAUTIONS CI-DESSOUS :

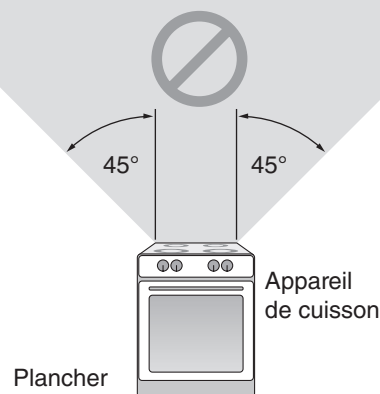
1. N'utilisez cet appareil que de la manière prévue par son fabricant. Si vous avez des questions, communiquez avec le fabricant à l'adresse ou au numéro de téléphone indiqués dans la garantie.
2. Avant toute intervention sur l'appareil ou nettoyage de celui-ci, couper l'alimentation électrique au tableau de distribution et verrouiller le dispositif de sectionnement pour empêcher toute remise sous tension accidentelle. S'il est impossible de verrouiller le dispositif de sectionnement, y fixer solidement et de manière visible un dispositif d'affichage (par ex. : une étiquette).
3. Les travaux d'installation et de raccordement électrique doivent obligatoirement être effectués par du personnel qualifié, conformément aux codes et normes applicables, y compris les codes et normes relatifs aux constructions résistantes au feu.
4. Une quantité suffisante d'air est nécessaire pour assurer la bonne combustion et l'évacuation par la cheminée des gaz produits par les appareils brûlant du combustible, pour éviter tout refoulement. Respecter les recommandations du fabricant de l'appareil et les normes de sécurité comme celles publiées par la National Fire Protection Association (NFPA), l'American Society for Heating, Refrigeration and Air Conditioning Engineers et les autorités locales responsables des codes.
5. Lorsque vous coupez un mur ou un plafond, prenez garde de ne pas endommager les fils électriques ou autres installations qui pourraient y être dissimulés.
6. Les ventilateurs avec conduit doivent toujours évacuer l'air à l'extérieur.
7. N'utilisez qu'un interrupteur MARCHE/ARRÊT, une minuterie mécanique ou une commande à relais.
8. Cet appareil convient à une installation au-dessus de la baignoire ou de la douche lorsqu'il est relié à un circuit protégé par un disjoncteur de fuite à la terre (DDFT).
9. Cet appareil doit obligatoirement être mis à la terre.

ATTENTION

1. Réservez exclusivement à la ventilation générale. Ne pas utiliser pour évacuer des matières ou des vapeurs dangereuses ou explosives.
2. Ce produit est conçu pour être installé dans des plafonds ayant une pente pouvant aller jusqu'à 12/12 (angle de 45°). Le raccord de conduit doit obligatoirement être dirigé vers le haut. **NE PAS MONTER CE PRODUIT DANS UN MUR.**
3. Pour éviter d'endommager les paliers du moteur et les roues de devenir bruyantes et (ou) mal équilibrées, garder votre appareil à l'abri des poussières de gypse, de construction, etc.
4. Consulter l'étiquette des caractéristiques sur le produit pour plus de renseignements ou exigences.

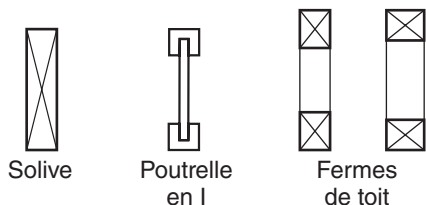
NE PAS UTILISER DANS UNE CUISINE

Ne pas installer au-dessus ou à l'intérieur de cette zone



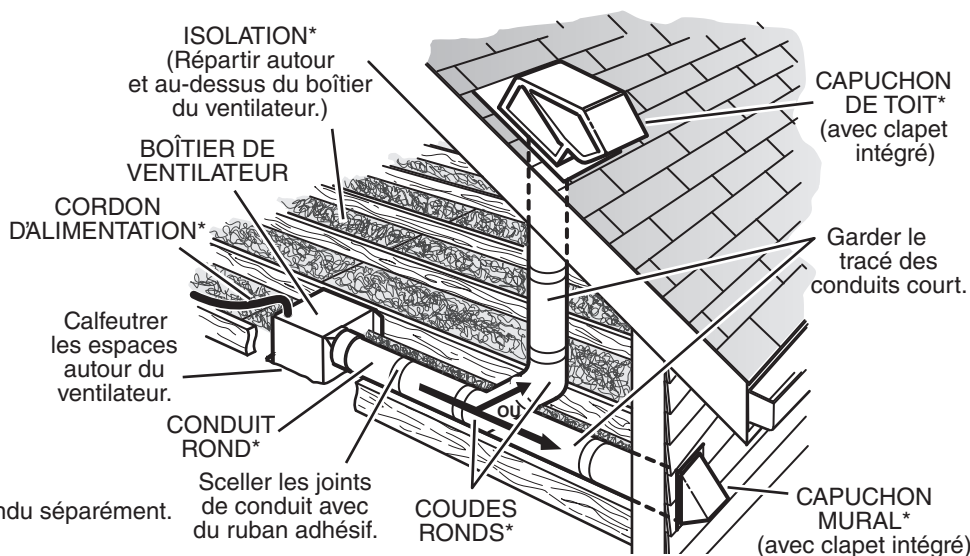
Installation type

- L'installation est identique pour :



- Convient à un plafond construit en 2 po x 8 po.
- Le ventilateur s'installe n'importe où entre les solives, de 14 po à 24 po d'entraxe.

* Vendu séparément.



Les conduits allant de ce ventilateur jusqu'à l'extérieur de l'habitation ont une grande influence sur le débit d'air, le bruit du ventilateur et sa consommation d'énergie. Pour obtenir le meilleur rendement, utilisez les conduits les plus courts et les plus droits que possible et évitez d'utiliser des conduits plus petits que ceux recommandés. L'isolation des conduits peut contribuer à réduire les pertes d'énergie et éviter la prolifération de moisissures. Les ventilateurs installés sur d'anciens conduits pourraient ne pas produire leur débit d'air nominal.

Pour un rendement optimal, il est recommandé d'utiliser des conduits métalliques ronds de 15.2 cm (6 po) de diamètre.

Installation dans une construction neuve

Outils nécessaires

- Tournevis électrique avec embout Phillips
- Tournevis Phillips
- Tournevis à lame plate
- Pincés
- Pince à dénuder
- Pince coupante

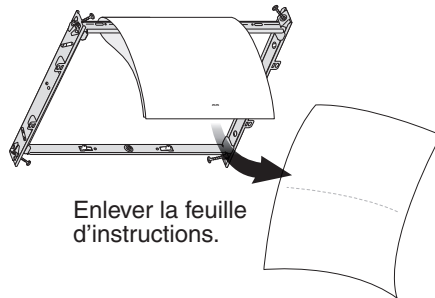
Matériaux nécessaires

- Conduit rond en métal de 6 po recommandé pour une meilleure performance. Du conduit différent est acceptable, au prix d'une performance inférieure.
- Capuchon de toit ou de mur (recommandé avec clapet intégré)
- Ruban adhésif pour l'étanchéité des joints
- Câblage et fournitures électriques en fonction des exigences du code local

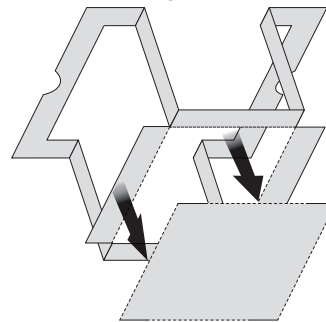
1 Retirer l'emballage



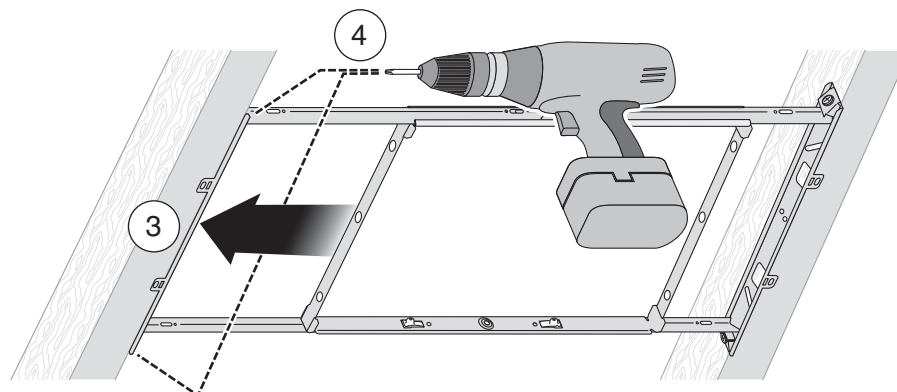
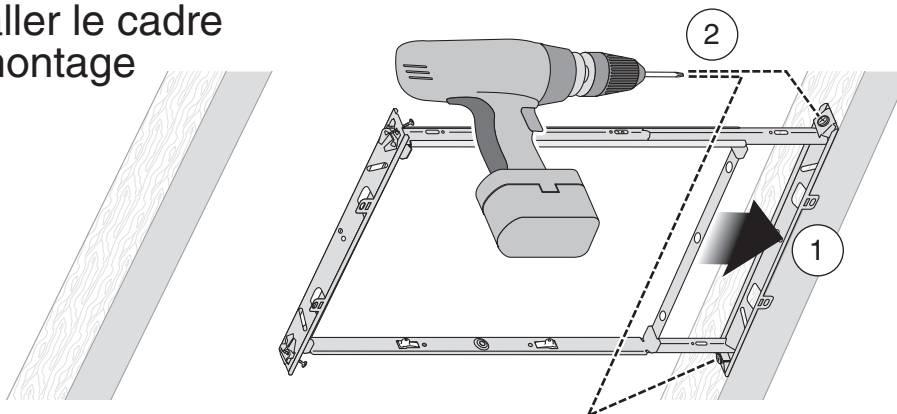
Le sachet de pièces contient une plaque de câblage et six (6) vis.



Découper le masque dans l'emballage. Voir l'étape 6.

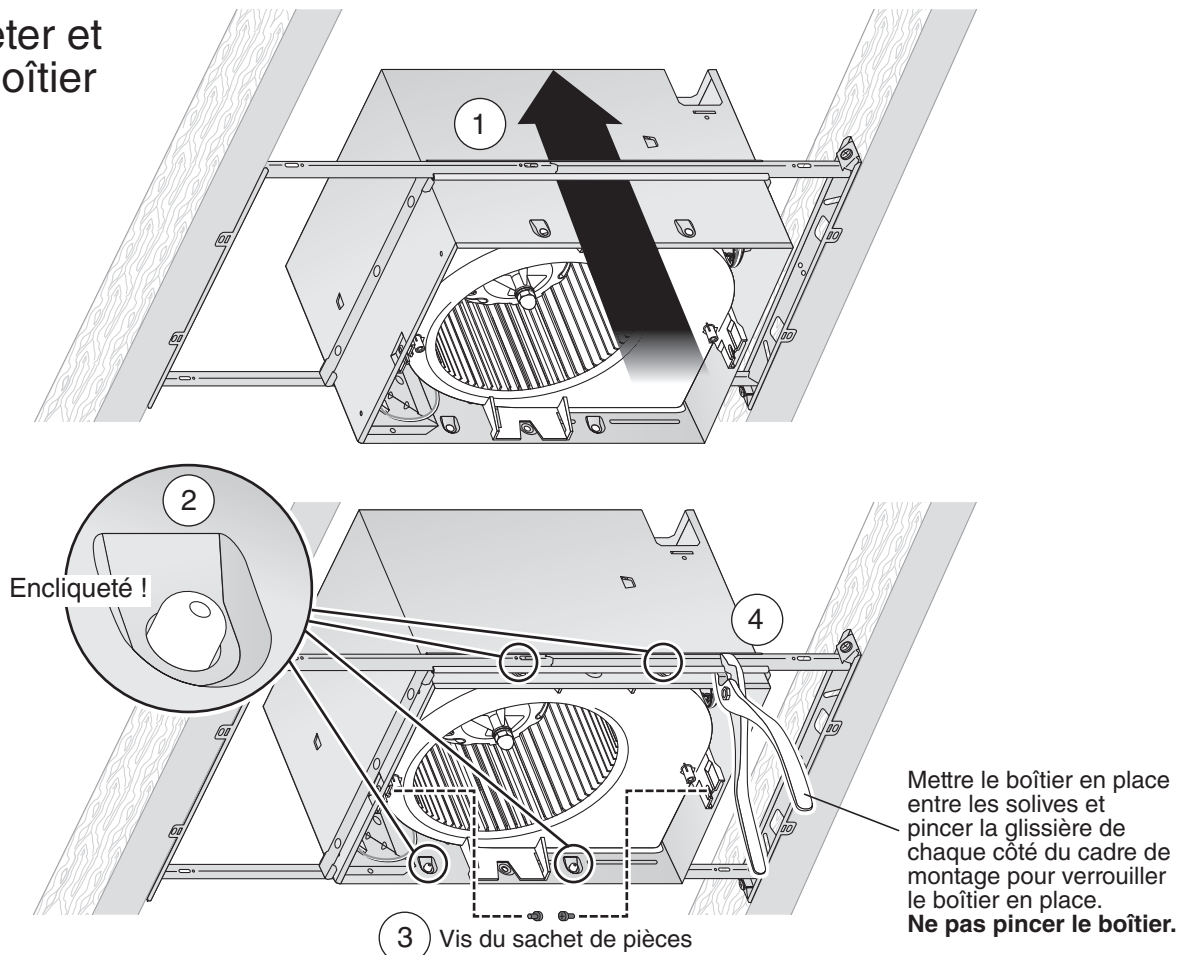


2 Installer le cadre de montage

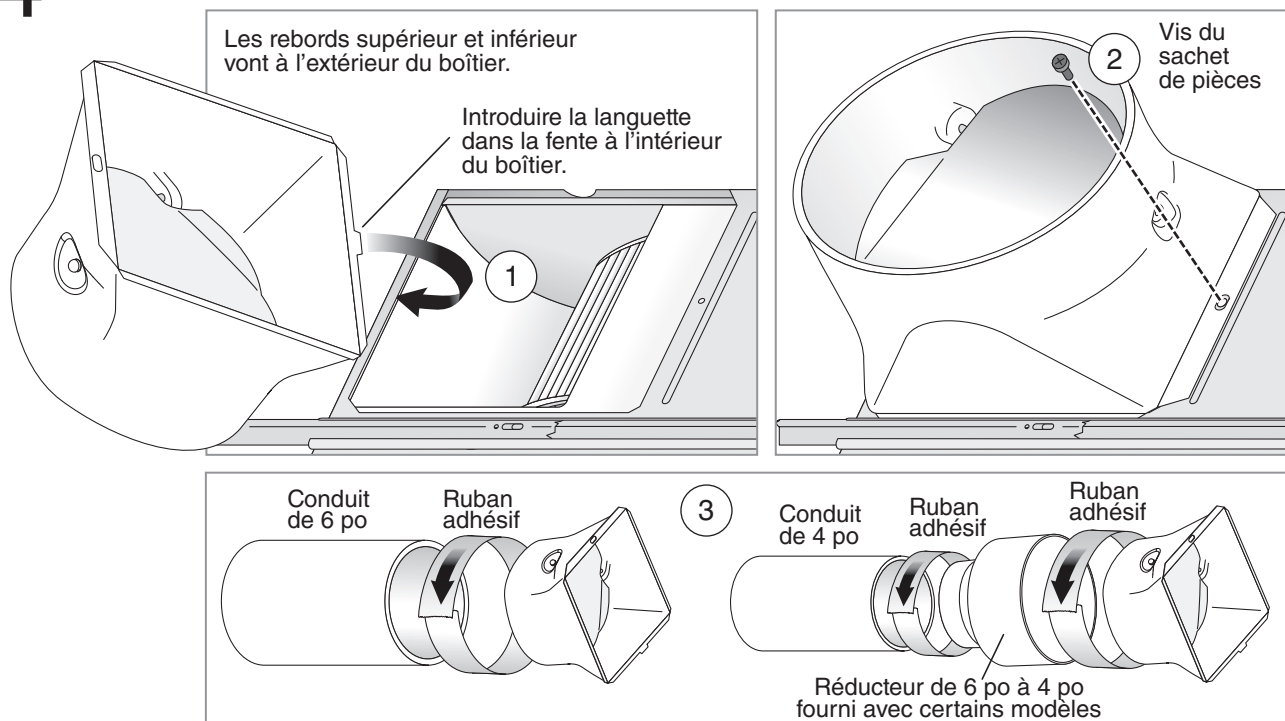


Installation dans une construction neuve

3 Encliqueter et fixer le boîtier



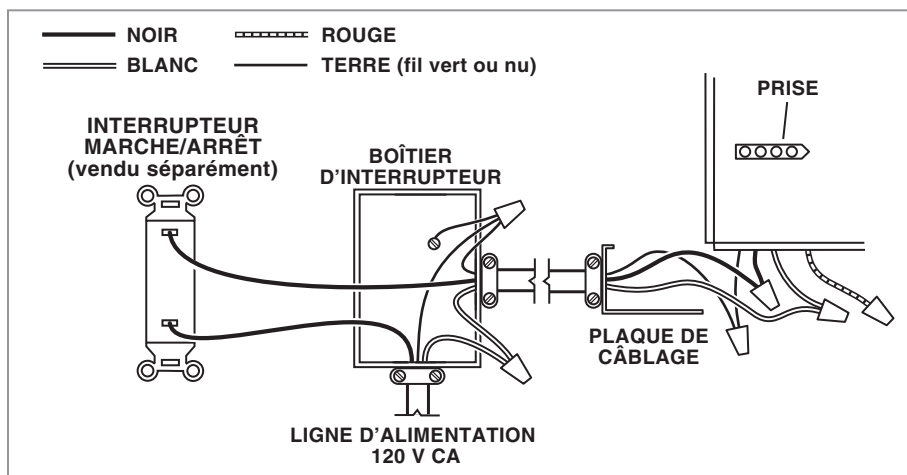
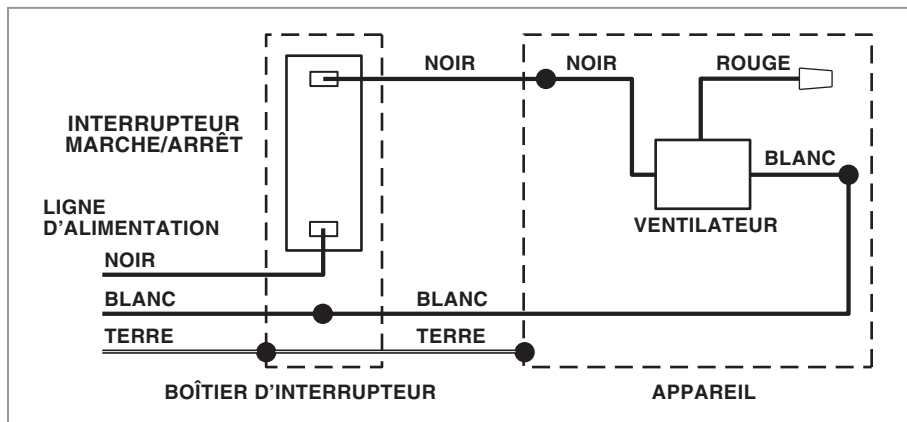
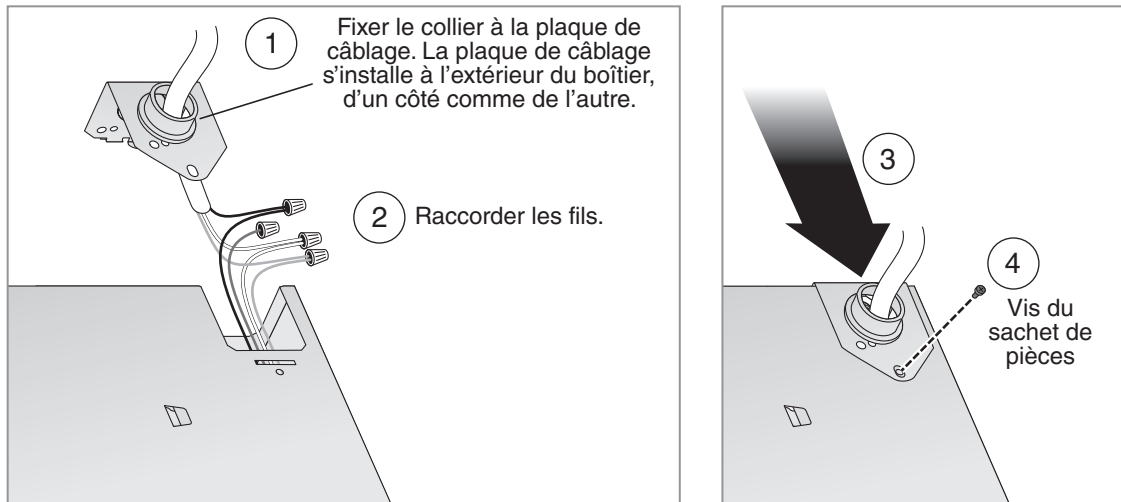
4 Fixer le raccord de conduit et le conduit



Installation dans une construction neuve

5 Raccorder les fils et installer la plaque de câblage

- Acheminer les fils 120 V CA à l'emplacement de l'installation.
- Raccorder les fils à la plaque de câblage fournie dans le sachet de pièces à l'aide de connecteurs homologués UL.
- Raccorder les fils comme indiqué au schéma de câblage.



Installation dans une construction neuve

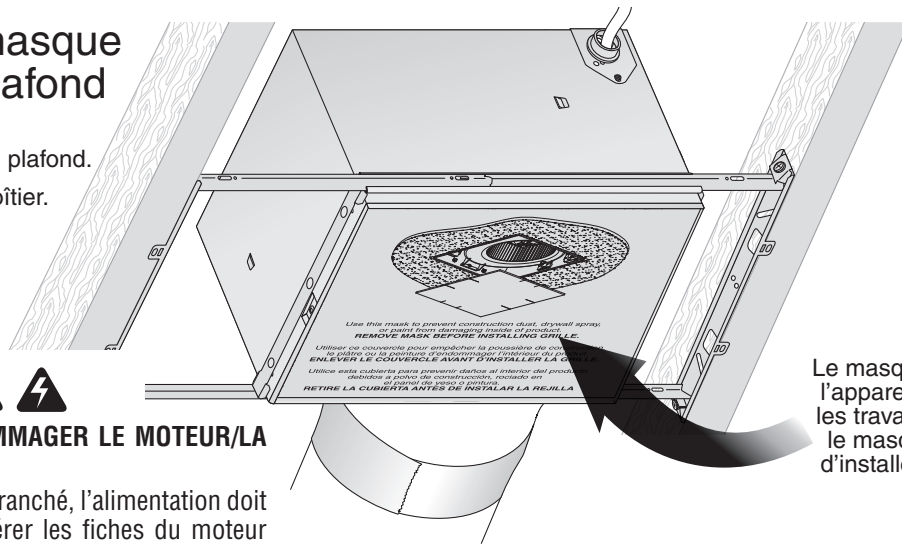
6 Mettre le masque et finir le plafond

- Installer le matériau du plafond.
- Découper autour du boîtier.

ATTENTION

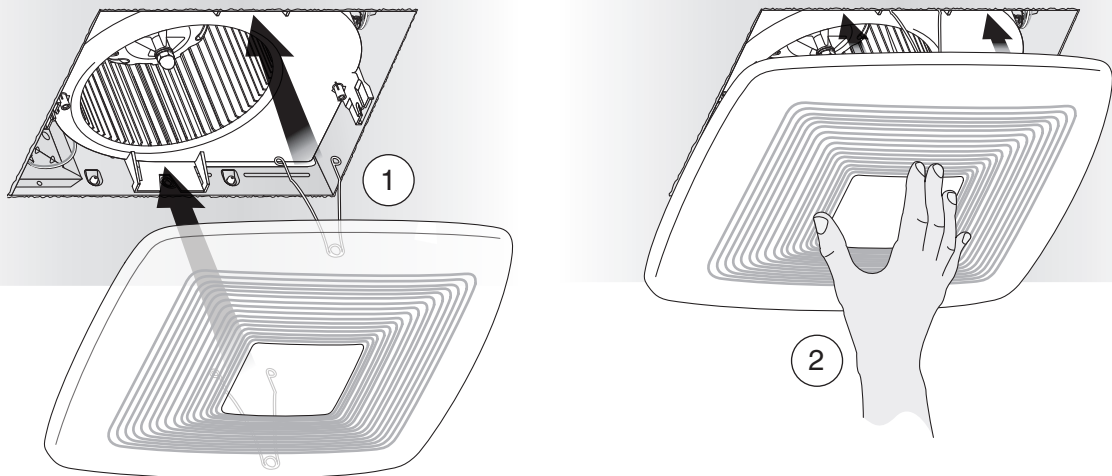
POUR ÉVITER D'ENDOMMAGER LE MOTEUR/LA COMMANDE :

Si le ventilateur a été débranché, l'alimentation doit être coupée avant d'insérer les fiches du moteur dans l'ensemble de commande (voir page 2, AVERTISSEMENT point 2).



Le masque protège l'appareil pendant les travaux. Retirer le masque avant d'installer la grille.

7 Installer la grille



Voir page 12 pour le fonctionnement, le nettoyage et l'entretien ainsi que pour le dépannage.

Installation lors de modernisation

Outils nécessaires

- Tournevis électrique avec embout Phillips
- Tournevis Phillips
- Tournevis à lame plate
- Pincès
- Pince à dénuder
- Pince coupante
- Règle
- Crayon
- Scie à cloison sèche
- Marteau de charpentier
- Couteau universel

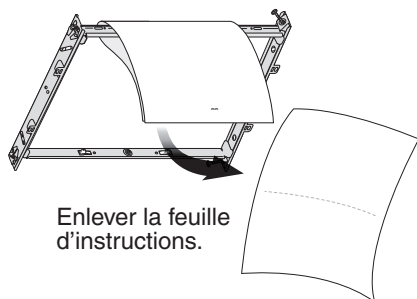
Matériaux nécessaires

- Ruban adhésif pour l'étanchéité des joints
- Un conduit rigide existant nécessite l'ajout d'une courte section de conduit flexible
- Câblage et fournitures électriques en fonction des exigences du code local

1 Retirer l'emballage

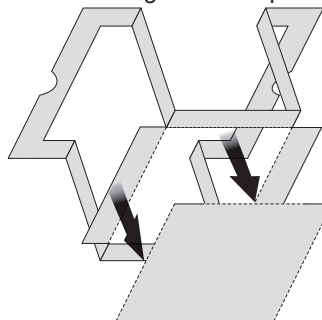


Le sachet de pièces contient une plaque de câblage et six (6) vis.



Enlever la feuille d'instructions.

Découper le masque dans l'emballage. Voir l'étape 12.

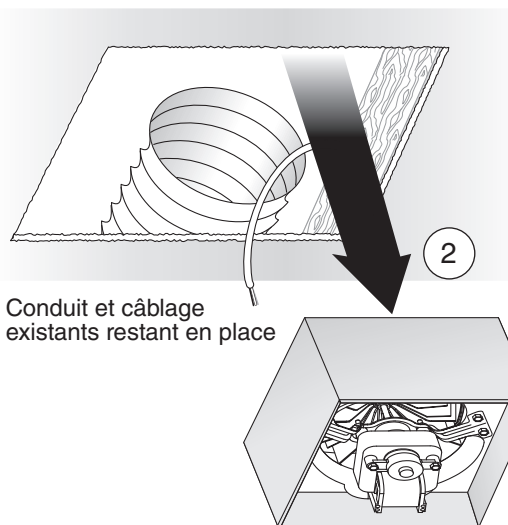
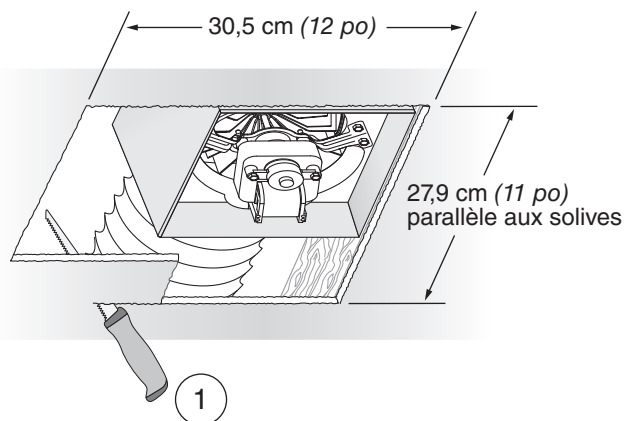


2 Couper l'alimentation

AVERTISSEMENT ⚡

Avant de retirer le ventilateur existant, couper l'alimentation électrique au tableau de distribution et verrouiller le dispositif de sectionnement pour empêcher toute remise sous tension accidentelle. S'il est impossible de verrouiller le dispositif de sectionnement, y fixer solidement et de manière visible un dispositif d'affichage (par ex. : une étiquette).

3 Agrandir l'ouverture dans le plafond et retirer le ventilateur existant

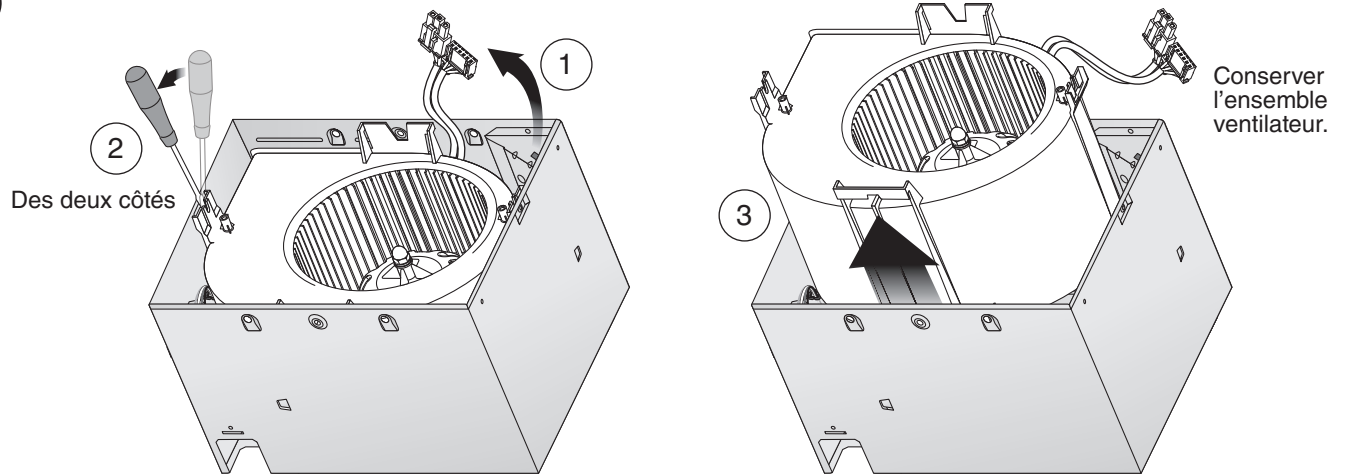


4 Examiner les fils

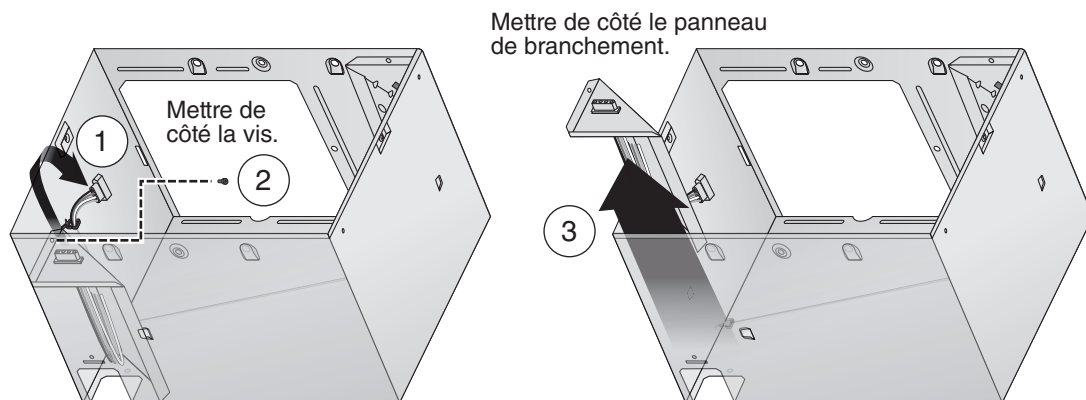
Vérifier les fils existants pour s'assurer qu'ils soient en bon état. S'ils sont endommagés, **NE PAS CONTINUER L'INSTALLATION** de ce produit. Prendre contact avec un technicien qualifié pour la réparation.

Installation lors de modernisation

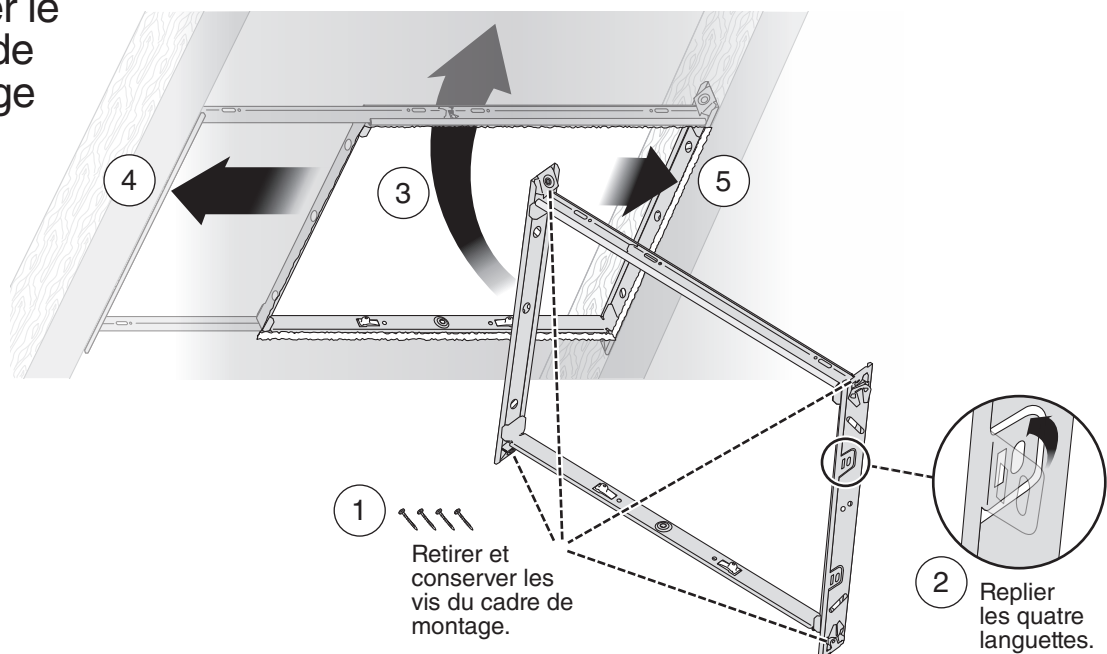
5 Retirer l'ensemble ventilateur



6 Retirer le panneau de branchement

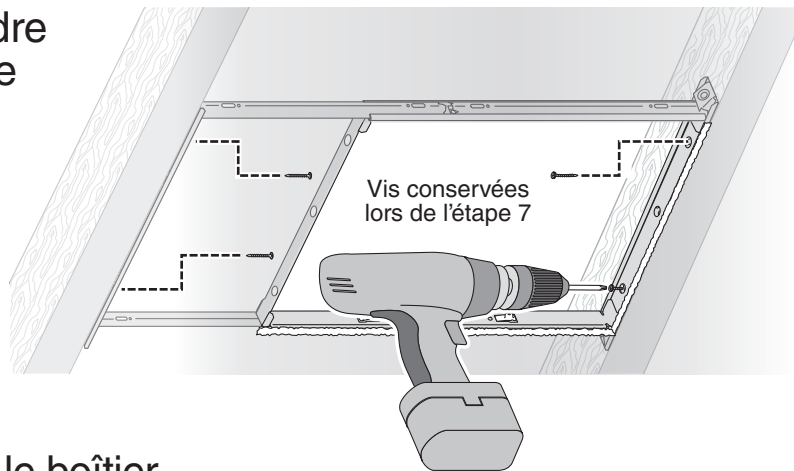


7 Installer le cadre de montage

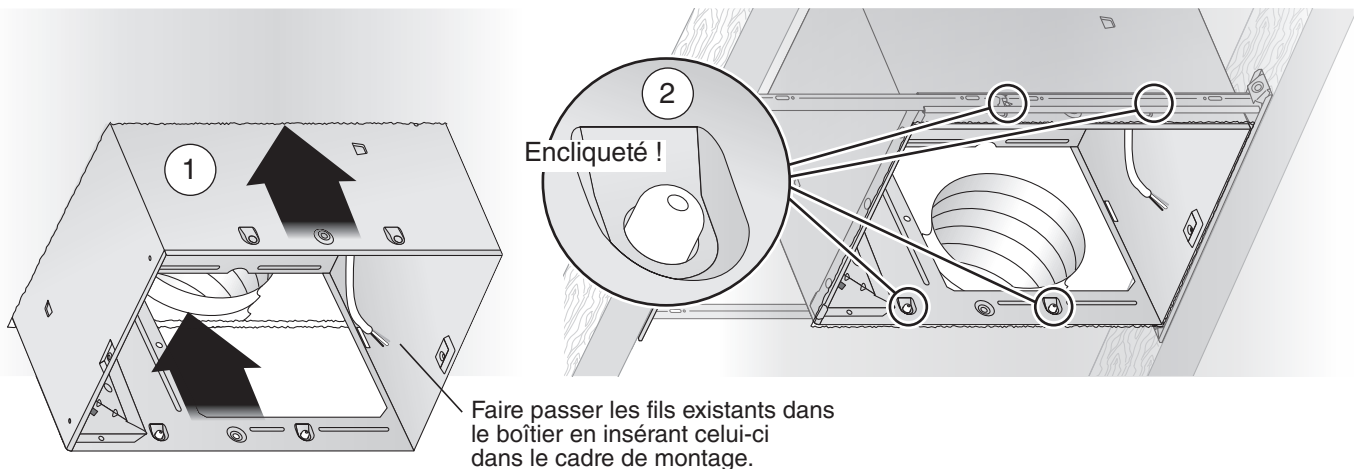


Installation lors de modernisation

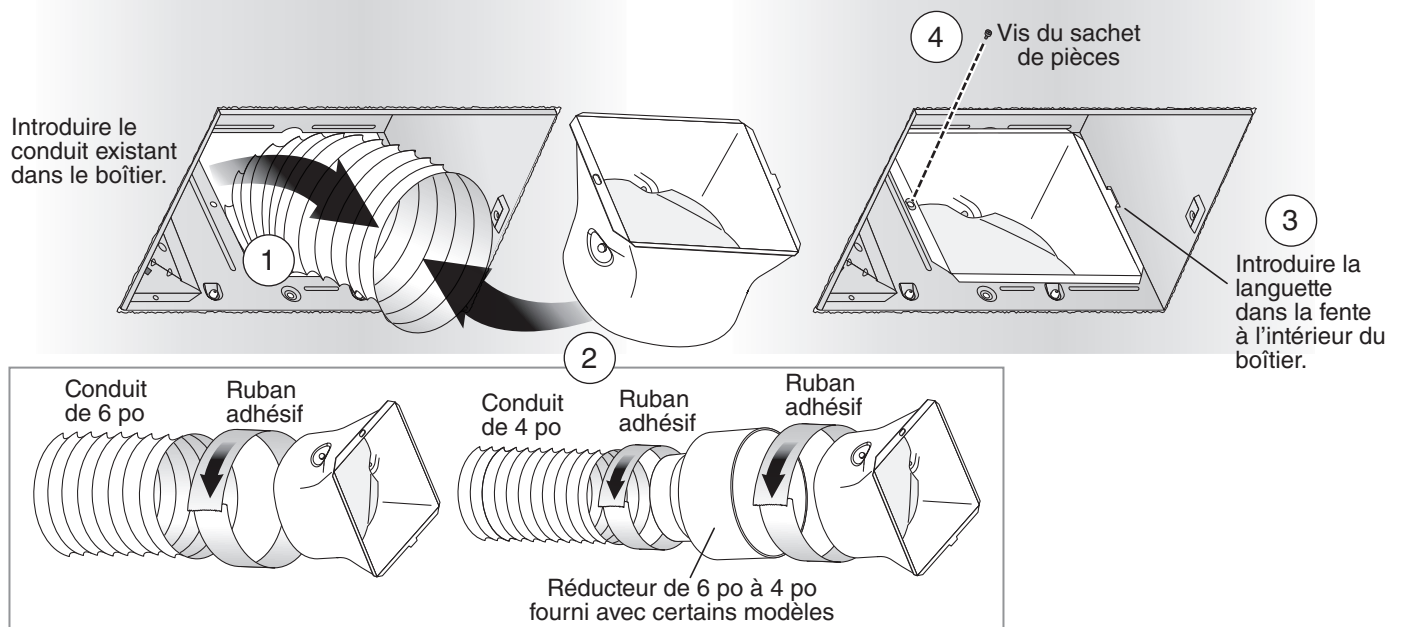
8 Fixer le cadre de montage



9 Encliquer le boîtier



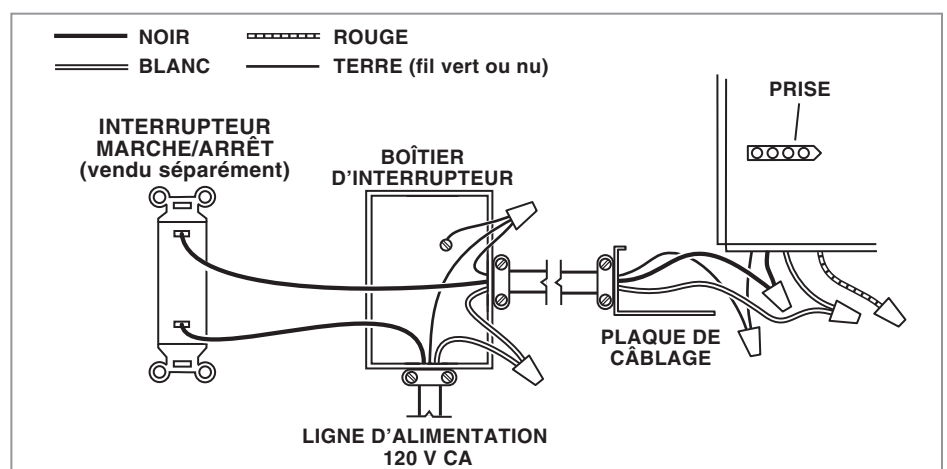
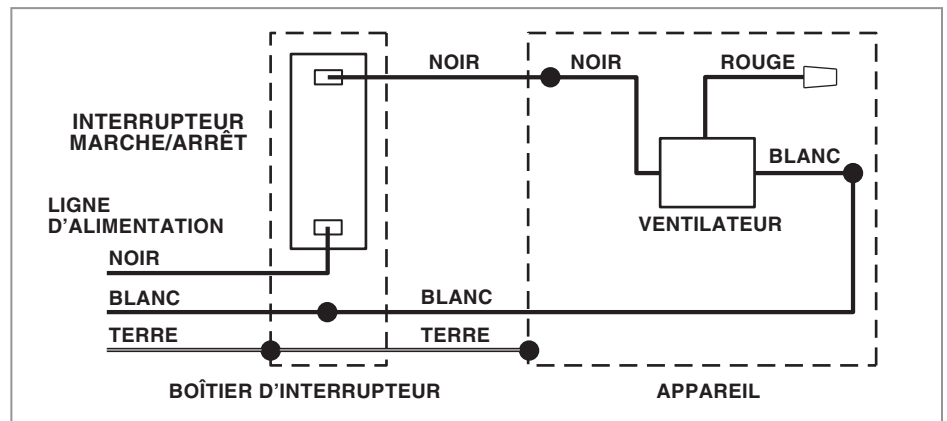
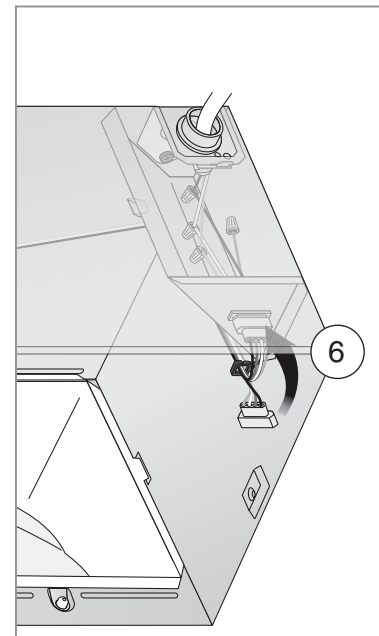
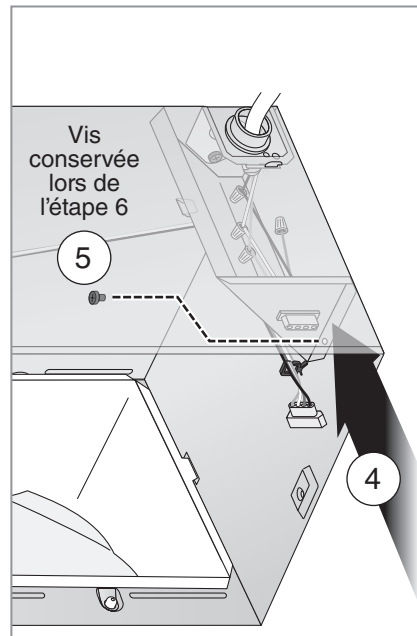
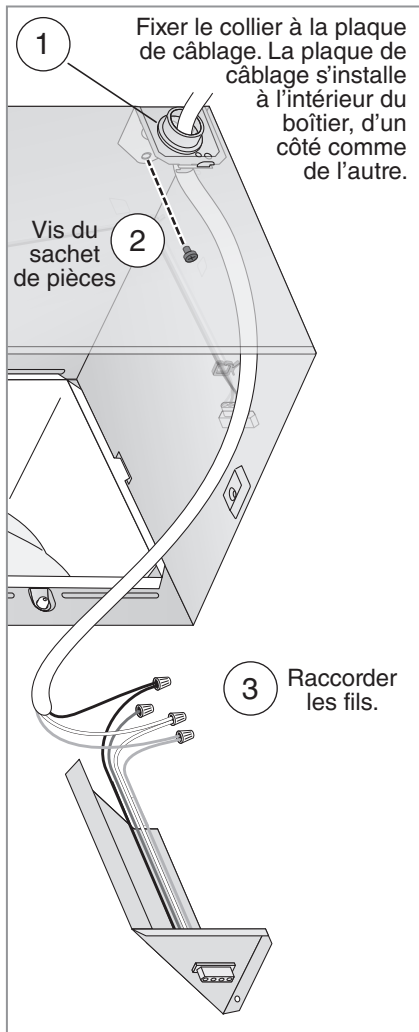
10 Fixer le raccord de conduit et le conduit



Installation lors de modernisation

11 Installer la plaque de câblage, raccorder les fils et réinstaller le panneau de branchement

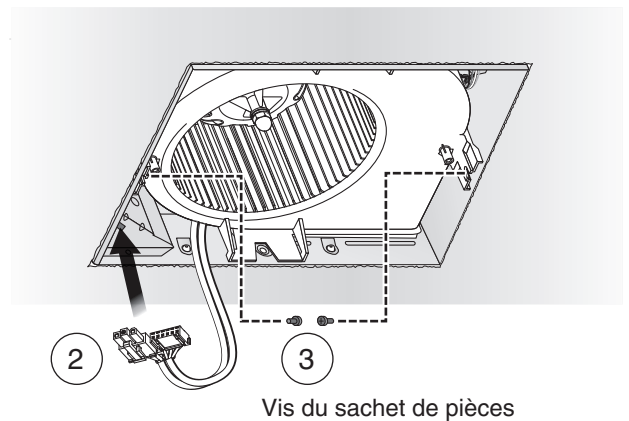
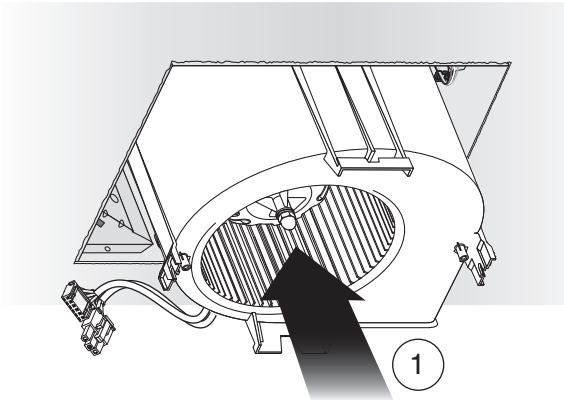
- Raccorder les fils à la plaque de câblage fournie dans le sachet de pièces à l'aide de connecteurs homologués UL.
- Raccorder les fils comme indiqué au schéma de câblage.



Installation lors de modernisation

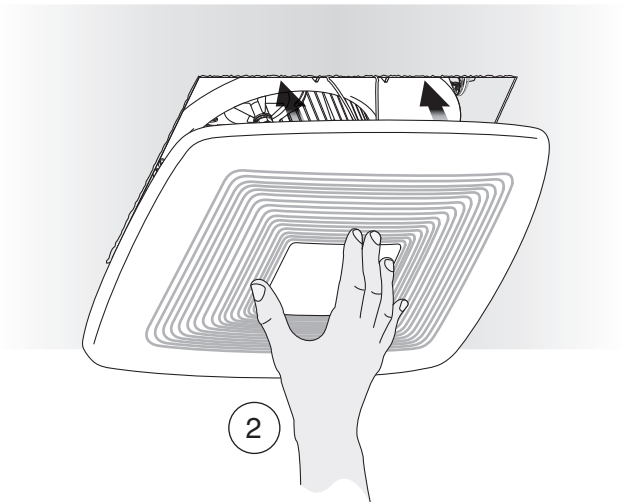
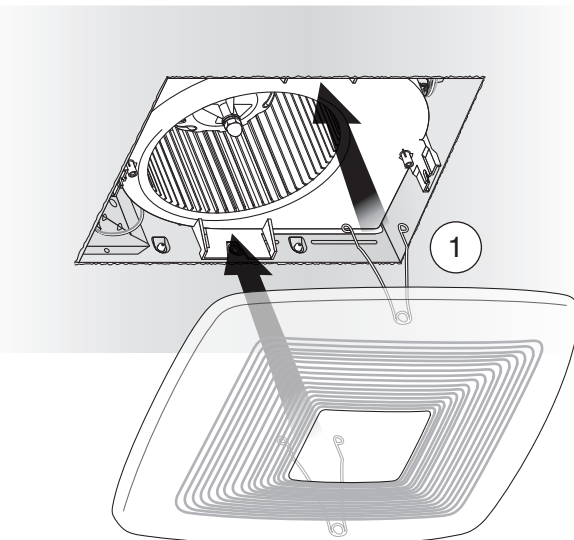
12 Réinsérer et fixer l'ensemble ventilateur


ATTENTION ⚠ ⚡ **POUR ÉVITER D'ENDOMMAGER LE MOTEUR/LA COMMANDE :**
L'alimentation doit être coupée avant d'insérer les fiches du moteur dans l'ensemble de commande (voir page 2, AVERTISSEMENT point 2).



S'il faut réparer le plafond, mettre le masque dans le boîtier après fixation de l'ensemble ventilateur.
Voir Installation dans une construction neuve, étape 6. Retirer le masque avant d'installer la grille.

13 Installer la grille



AVERTISSEMENT  Avant toute intervention sur l'appareil ou nettoyage de celui-ci, couper l'alimentation électrique au tableau de distribution et verrouiller le dispositif de sectionnement pour empêcher toute remise sous tension accidentelle. S'il est impossible de verrouiller le dispositif de sectionnement, y fixer solidement et de manière visible un dispositif d'affichage (par ex. : une étiquette).

Fonctionnement

Fonctionnement du ventilateur

Ce ventilateur fonctionne à l'aide d'un interrupteur marche/arrêt.

Il est normal que ce ventilateur de prendre environ 5 secondes pour commencer à courir après sa mise sous tension.

Nettoyage et entretien

ATTENTION

POUR ÉVITER D'ENDOMMAGER LE MOTEUR/LA COMMANDE :

NE PAS retirer la fiche du moteur pour l'arrêter. L'alimentation doit être coupée avant de retirer ou d'insérer la fiche du moteur dans l'ensemble de commande (voir l'AVERTISSEMENT en haut à gauche de cette page).

Pour nettoyer

Pour un fonctionnement silencieux et efficace, une grande longévité et un bel aspect, enlever la grille et nettoyer l'intérieur de l'appareil avec un aspirateur muni d'une brosse à épousseter.

Le moteur est lubrifié à vie et n'a jamais besoin d'être huilé. Si les paliers du moteur font un bruit excessif ou inhabituel, remplacer l'ensemble de commande et le moteur.

Dépannage

Symptôme : Le ventilateur ne fonctionne pas.

- Vérifier au tableau électrique de l'immeuble qu'un fusible ne soit pas grillé ou un disjoncteur déclenché.
- Vérifier que les deux (2) fiches du moteur et des commandes soient bien enfoncées dans leurs prises.
- Vérifier que la roue du ventilateur tourne librement.

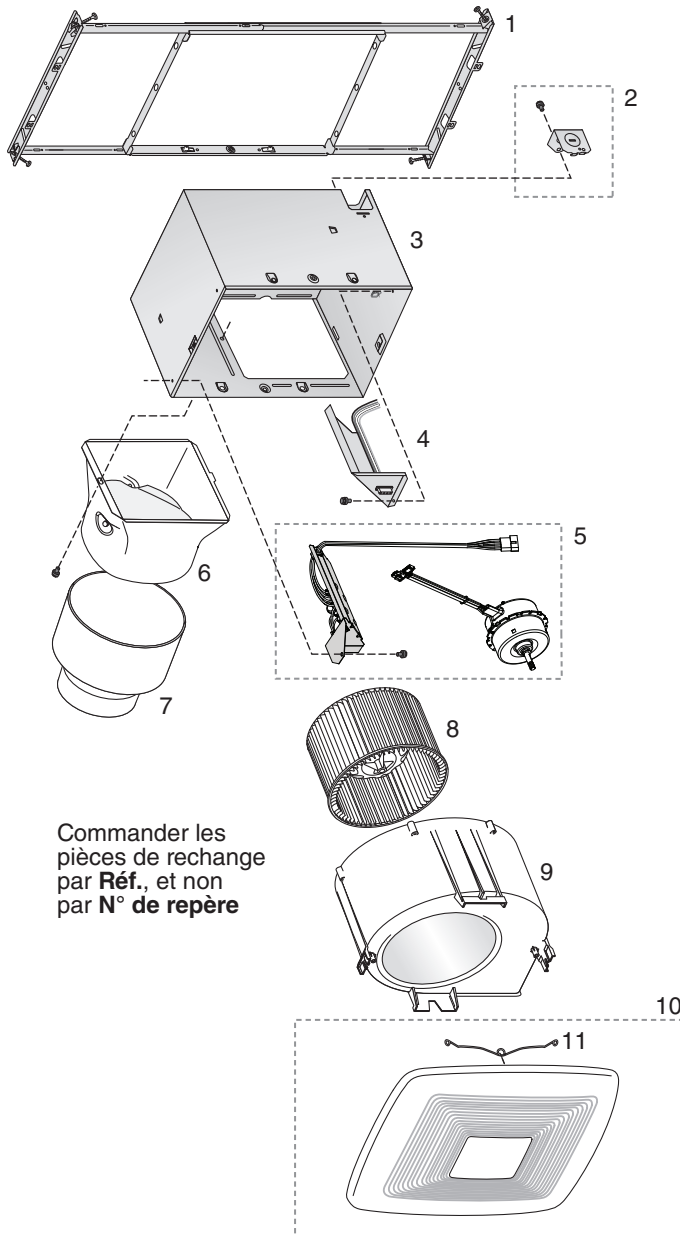
Symptôme : Le moteur ne tourne pas régulièrement.

- Vérifier que la roue du ventilateur soit bien fixée à l'axe du moteur et qu'ils tournent librement tous les deux.

Symptôme : Le ventilateur semble bruyant.

- Vérifier que le clapet anti-retour situé dans le raccord de conduit du ventilateur pivote librement. Les vis de fixation du conduit sur le raccord peuvent empêcher l'ouverture du clapet.
- Vérifier que le clapet anti-retour situé dans le capuchon de toit ou de mur pivote librement. Il arrive en effet que ces clapets se bloquent parce qu'ils ont été peints, ou qu'ils soient obstrués par des débris laissés par des oiseaux ou des insectes.

Pièces de rechange



Commander les pièces de rechange par Réf., et non par N° de repère

N° de repère Réf. Description

| | | |
|----|----------|--|
| 1 | 97018349 | Cadre de montage |
| 2 | 97018721 | Plaque de câblage et vis |
| 3 | 97018382 | Boîtier |
| 4 | 97018471 | Ensemble panneau de fils / faisceau électrique |
| 5 | 1102584 | Ensemble de commande et moteur (XB50) |
| | 1102585 | Ensemble de commande et moteur (XB80) |
| | 1102586 | Ensemble de commande et moteur (XB110) |
| 6 | 97018331 | Raccord de conduit – 6 po |
| 7 | 99111513 | Réducteur 6 po à 4 po (modèles XB50C et XB90C uniquement) |
| 8 | 99020301 | Roue du ventilateur |
| 9 | 97018768 | Ensemble de volute (XB110C) |
| | 97019371 | Ensemble de volute (XB50C, XB90C) |
| 10 | 97018530 | Ensemble de grille (comprend 11) |
| 11 | 99140208 | Ressort de grille (Qté : 2) |

Garantie

Garantie limitée des ventilateurs Broan

DURÉE DE LA GARANTIE : Broan garantit à l'utilisateur acquéreur original de ses ventilateurs Broan (le « ventilateur ») que son ventilateur sera exempt de défauts de matière ou de main-d'œuvre pendant une durée de trois (3) ans à partir de la date de son achat original. La présente garantie ne couvre pas les accessoires (régulateur de vitesse, par ex.), qui seraient achetés séparément et installés avec le ventilateur.

La durée de la garantie limitée pour obtenir des pièces de rechange et pour la réparation ou le remplacement du ventilateur dans le cadre de la présente garantie limitée, se poursuivra pendant le restant de la durée de garantie originale.

ABSENCE D'AUTRES GARANTIES : LA PRÉSENTE GARANTIE EST EXCLUSIVE ET TIENT LIEU DE TOUTES AUTRES GARANTIES, EXPLICITES OU IMPLICITES. BROAN DÉCLINE ET EXCLUT TOUTE AUTRE GARANTIE EXPLICITE, ET DÉCLINE ET EXCLUT TOUTE GARANTIE IMPLICITE EN VERTU DE LA LOI, Y COMPRIS, SANS POUR AUTANT Y ÊTRE LIMITÉ, CELLES RELATIVES À LA QUALITÉ MARCHANDE ET À L'ADÉQUATION À UN BESOIN PARTICULIER. DANS LA MESURE OÙ LA LÉGISLATION APPLICABLE INTERDIT L'EXCLUSION DES GARANTIES IMPLICITES, LA DURÉE DE TOUTE GARANTIE IMPLICITE ÉVENTUELLEMENT APPLICABLE EST LIMITÉE À LA PÉRIODE SPÉCIFIÉE POUR LA GARANTIE EXPLICITE. Certains États n'autorisant pas les limitations sur la durée d'une garantie implicite, il se peut que la limitation ci-dessus ne s'applique pas à vous. Les éventuelles descriptions, orales ou écrites, du ventilateur, n'ont pour seul but que de l'identifier et ne sauraient être interprétées comme une garantie explicite.

RECOURS : Pendant la durée de la garantie limitée applicable, Broan, à sa discrétion, fournira des pièces de rechange pour tout ventilateur ou partie de ventilateur, ou réparera ou remplacera celui-ci ou celle-ci, sans frais, dans la mesure où Broan admet être redevable de la présente garantie limitée. Broan vous enverra sans frais le ventilateur, ou les pièces de rechange, réparé ou remplacé. Vous êtes responsable de tous les frais de retrait, de réinstallation ainsi que d'expédition, assurance, frais de transport ou autres relatifs à l'envoi à Broan du ventilateur ou des pièces. La présente garantie ne couvre pas (a) l'entretien ni les réparations normales, (b) l'usure normale, (c) les ventilateurs ou pièces détachées ayant été soumis à des abus, une mauvaise utilisation, de la négligence, un accident, un entretien erroné ou insuffisant, un entreposage ou une réparation (réparation non effectuée par Broan), (d) les dommages causés par une mauvaise installation, ou par une installation ou un emploi contraire aux recommandations ou instructions, (e) un ventilateur ayant été déplacé de son point d'installation original, (f) les dommages causés par des éléments environnementaux ou naturels, (g) les dommages survenus pendant le transport, (h) l'usure naturelle de la finition, (i) les ventilateurs utilisés de manière commerciale ou non résidentielle ou (j) les dommages causés par les incendies, inondations ou autres cas de force majeure. La présente garantie ne couvre que les ventilateurs vendus au Canada ou par des distributeurs canadiens agréés par Broan.

EXCLUSION DES DOMMAGES : L'OBLIGATION PAR BROAN DE FOURNIR DES PIÈCES DE RECHANGE, OU D'EFFECTUER UNE RÉPARATION OU UN REMPLACEMENT, AU CHOIX DE BROAN, REPRÉSENTE VOTRE RECOURS UNIQUE ET EXCLUSIF EN VERTU DE LA PRÉSENTE GARANTIE LIMITÉE, ET CONSTITUE L'OBLIGATION UNIQUE ET EXCLUSIVE DE BROAN. BROAN NE SAURAIT ÊTRE RESPONSABLE D'ÉVENTUELS DOMMAGES ACCESSOIRES, INDIRECTS OU SPÉCIAUX DÉCOULANT DU VENTILATEUR, DE SON UTILISATION OU DE SES PERFORMANCES, OU QUI LEUR SERAIENT LIÉS. Les dommages accessoires comprennent, sans pour autant y être limités, la perte de temps et la privation de jouissance. Les dommages indirects comprennent, sans pour autant y être limités, le coût de réparation ou de remplacement des autres biens endommagés par le mauvais fonctionnement du ventilateur.

Certains États n'autorisant pas l'exclusion ou la limitation des dommages-intérêts accessoires, la limitation ou l'exclusion susmentionnée peut ne pas vous être applicable. La présente garantie vous donne des droits légaux spécifiques, et vous pouvez également avoir d'autres droits, qui varient en fonction de l'État.

La présente garantie annule et remplace toutes les garanties précédentes et n'est pas cessible par le consommateur ayant effectué l'achat original.

BROAN NE SAURAIT ÊTRE RESPONSABLE ENVERS VOUS, OU ENVERS QUI QUE CE SOIT SE RÉCLAMANT DE VOUS, D'AUCUNE AUTRE OBLIGATION OU RESPONSABILITÉ, Y COMPRIS, SANS TOUTEFOIS Y ÊTRE LIMITÉ, DES OBLIGATIONS OU RESPONSABILITÉS DÉCOULANT D'UNE VIOLATION DE CONTRAT OU DE GARANTIE, DE NÉGLIGENCE OU AUTRE DÉLIT CIVIL NI D'AUCUNE THÉORIE DE RESPONSABILITÉ STRICTE, RELATIVEMENT AU VENTILATEUR, OU À DES ACTIONS OU ABSTENTIONS, OU AUTRES, COMMIS PAR BROAN.

La présente garantie ne couvre que le remplacement ou la réparation, à l'usine principale de Broan, des seuls ventilateurs ou pièces défectueux ou défectueuses; elle ne comprend pas le coût des déplacements d'entretien ou les frais de subsistance éventuels.

Aucune assistance que vous fournirait éventuellement Broan en dehors des modalités, limitations ou exclusions de la présente garantie limitée ne saurait constituer une renonciation auxdits termes, limitations ou exclusions, ni ne saurait prolonger ladite garantie.

Broan ne remboursera aucune dépense que vous auriez engagée pour la réparation ou le remplacement d'un ventilateur défectueux, sauf celles engagées avec une permission écrite de Broan.

COMMENT BÉNÉFICIER DE LA GARANTIE : Pour avoir droit à la garantie, vous devez obligatoirement (a) prévenir Broan à l'adresse ou au numéro de téléphone ci-dessous dans les sept (7) jours suivant la découverte du défaut couvert, (b) communiquer le numéro de modèle et l'identification de la pièce et (c) décrire la nature des éventuels défauts du ventilateur ou de la pièce concernée. Lors de la demande de prise en garantie, vous devrez obligatoirement fournir une preuve de la date d'achat originale.

Broan Canada, 1140 Tristar Drive, Mississauga, Ontario L5T 1H9
(1 877 896-1119)

www.broan.ca

Si vous devez envoyer à Broan le ventilateur ou une pièce, conformément aux instructions de Broan, vous devrez emballer correctement le ventilateur ou la pièce; Broan ne saurait être responsable d'éventuels dommages pendant le transport.

