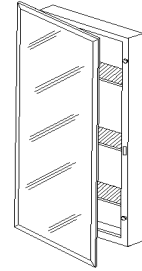


260P26CH

Topsider MEDICINE CABINET

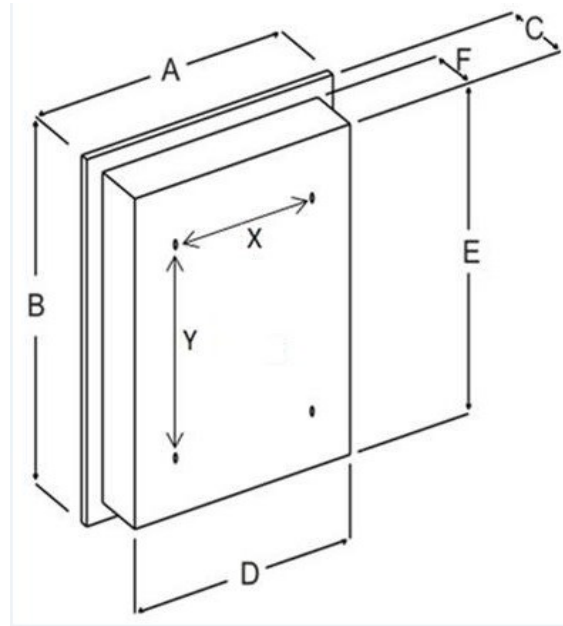


FEATURES/TYPICAL SPECIFICATIONS

- Surface Mount Installation
 - Pre-drilled mounting holes spacing: x = 8.875" center-to-center and y = 12.375" center-to-center
- Formed and welded steel housing (WB/ST)
 - 24 gauge steel construction with white, heat cured, acrylic paint finish
- Framed mirror door
 - 2MM thick float glass mirror door front
 - Polished stainless steel frame (SS8)
 - 30 gauge steel door back with white, heat cured, acrylic paint finish
- 16" piano hinge welded to the door and mechanically fastened to the cabinet body (HG01) (1 typical)
- Magnetic catch in cabinet body flange aligns to stainless steel striker plate on the door (1 typical)
- Reversible for left-hand or right-hand door swing
- 26 gauge galvanized steel shelves with white, heat cured, enamel paint finish (3 typical)
 - Adjustable shelves (ADJ)
- Includes installation hardware
- Pallet Quantity = 42 units

Finishes:

- Housing: PT01-Basic White
- Mirror: Flat Mirror
- Frame: SS8-Polished Stainless Steel



Model #	Description	Dimensions In Inches					
		A	B	C	D	E	F
260P26CH	MEDCAB 1DR 16X26 SS8 WB/ST	16.125	26.125	4.842	15.500	25.500	4.342

REFERENCE	QTY.	REMARKS	Project
			Location
			Architect
			Engineer
			Contractor
			Submitted by Date

* All models and material specifications are subject to change or withdrawal without notice.