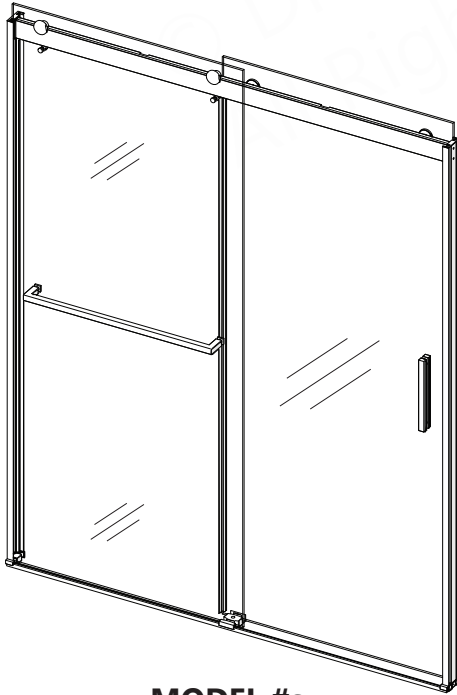


SAPPHIRE-V

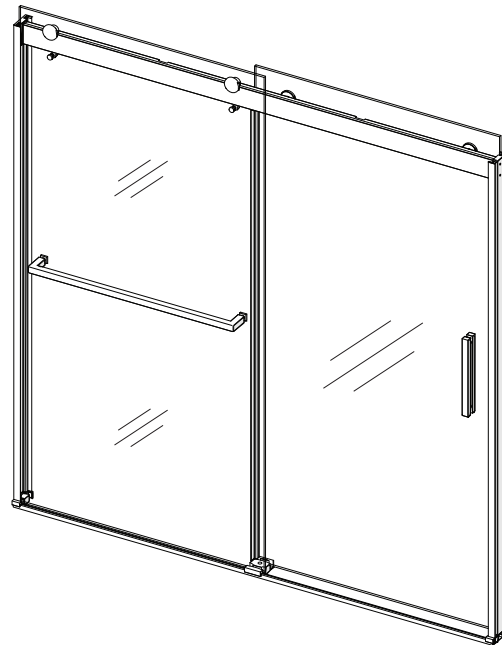
SHOWER AND TUB DOOR INSTALLATION INSTRUCTIONS

PLEASE REVIEW THIS ENTIRE MANUAL PRIOR TO INSTALLATION



MODEL #s:

ACVH48W760XXX01	ACVH60W760XXX05
ACVH54W760XXX01	ACVH60W620XXX05
ACVH60W760XXX01	ACVH48W760XXX06
ACVH60W620XXX01	ACVH54W760XXX06
ACVH48W760XXX04	ACVH60W760XXX06
ACVH54W760XXX04	ACVH60W620XXX06
ACVH60W760XXX04	ACVH48W760XXX09
ACVH60W620XXX04	ACVH54W760XXX09
ACVH48W760XXX05	ACVH60W760XXX09
ACVH54W760XXX05	ACVH60W620XXX09



GLASS BOXES:

GLVH48W760VXXCC
 GLVH48W760VXXGG
 GLVH54W760VXXCC
 GLVH54W760VXXGG
 GLVH60W760VXXCC
 GLVH60W760VXXGG
 GLVH60W620VXXCC
 GLVH60W620VXXGG

IMPORTANT!

DreamLine® reserves the right to alter, modify or redesign products at any time without prior notice for the purpose of product improvement and customer experience. Please refer to the model's web page on **DreamLine.com** for the latest technical drawings, installation manuals, warranty information or additional product details.

Do Not Return Product to the Store. Contact DreamLine® with any questions



Questions?

Please contact DreamLine Customer Support
 See DreamLine.com for hours of operation

Support@DreamLine.com

1-866-731-2244





Do not remove ClearMax stickers until glass is installed.



This model is treated with DreamLine’s exclusive ClearMax™ Glass technology. This is a specially formulated coating that prevents the build up of soap and water spots.

Install the surface with the ClearMax™ label towards the inside of the shower. Please note that depending on the model, the glass may be coated on either one or both surfaces.

For best results, squeegee the glass after each use and dry with a soft cloth.

Record the following purchase information for your records or in the event you need to contact DreamLine®:

Purchase Order Number _____

Store/Vendor Purchased From _____

Installation Date _____

OD Number (optional) _____
*found on the shipping box or label if available.


Installed By: _____

SKU Number _____


Table of Contents

Section Title	Page #
ClearMax [®] Coating Information	—
Warnings and General Preparation	2
Model Specific Preparation	3
Tools	4
Detailed Diagram of Shower/Tub Door Components	5
Parts List	6-7
Installation Steps	8-26
Roller Wheel Adjustment	23
Product Maintenance	26


Symbol Legend




TIP - for ease of installation.




CORRECT - recommended.



NOTE - take note of special feature; additional information.

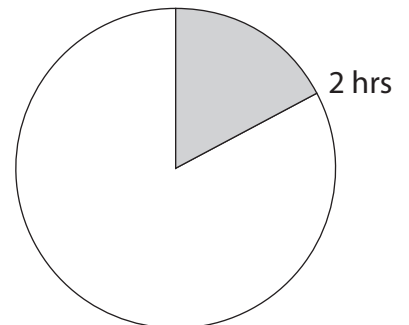


INCORRECT - not recommended.



REQUIRED - requires special attention; signifies a warning.

Average Installation Time





IMPORTANT

- DreamLine® reserves the right to alter, modify or redesign products any time without prior notice for product improvement and customer experience. Please refer to the model's web page on DreamLine.com for the latest technical drawings, installation manuals, warranty information or additional product details.
- This product should be installed by someone familiar with the construction requirements for this type of project and the care necessary for the safe installation and operation of the product.
- The safety of any installation is the responsibility of the installer.
- Professional installation recommended. (*All Models*)
- Professional installation required. (*Enigma Series*)
- To prevent damage or serious injury: Do Not lean against the installed panel/door/glass.
- To prevent damage or serious injury: Do Not attempt to lift or move a heavy lite of glass alone. Use an assistant and/or a professional grade glass suction cup.
- The installation of some models may require drilling down into the threshold. Contact the manufacturer of the base, tub, or threshold material with any questions regarding the drilling of holes into their product.
- All drawings in this installation manual are for illustrative purposes only and are not drawn to scale.

TEMPERED GLASS WARNING

- Your Shower Door Glass Could Shatter Without Warning if Improperly Installed or Mishandled
- Do Not install or operate a shower door if the glass has chipped corners, slivered edges or is otherwise damaged and/or has been dropped or banged into a hard surface such as tile, marble or glass.
- **The main causes of tempered glass breakage are:**
 - Improper handling, storage or installation
 - Misuse/abuse
 - Lack of maintenance
 - Failure to replace damaged glass
 - **Improper handling during storage, unpacking and installation:**
 - Corners and edges are the most susceptible area to damage on a lite of tempered glass and should be protected and handled with care during storage, unpacking, installation and operation. A concentrated point of pressure or impact with a surface harder than itself may cause the tempered glass to shatter. The tempered glass may release immediately, within several hours or even days later.
 - **Incorrect installation of door hardware, rollers, hinges, channels, stopper or glass:**
 - Improper installation may include: loose hardware and/or lack of proper gaskets between the hardware and glass. Additionally, improper alignment of guide rails, wall profiles or other hardware during installation or operation may place stress on the glass edges and cause it to break.
 - This product must be installed by a professional and experienced installer familiar with the safe handling of tempered glass.
 - **Improper use of this product:**
 - Aggressively opening or closing the door may cause trauma to the glass, which can lead to breakage. This may occur immediately or hours or even days later.
 - **The shower door hardware and glass should be inspected periodically:**
 - Instruct the homeowner how to perform a periodic inspection of the shower hardware and glass - some minor adjustments may be necessary based upon the use (or misuse) of the shower door. Ensure that the hardware remains tight and that the door alignment and operation are correct. Any adjustments should be made upon discovery to prevent damage to the product.
 - Additional considerations should be given to the installation of frameless tempered glass products in households with young children or an elderly person due to an increased chance of improper handling. In such cases, alternatives such as shower curtains or grab bars should be considered.

GENERAL PREPARATION

- After opening all boxes and packages, read this introduction carefully. Check that all the items are included in the package by marking off the components on the "**Detailed Diagram of Product Components**" page. Examine all boxes and packages for shipping damage. If the unit has been damaged, has a finishing defect, or is missing parts; please contact our Customer Support department within 3 business days of the delivery date. **Please note that DreamLine® will not replace any damaged products or missing parts free of charge after 3 business days or if the product has been installed.** Please contact DreamLine® if you have any questions.
- **Please note that you should refer to your local building codes with questions on installation compliance standards. Building and plumbing codes may vary by location, and DreamLine® is not responsible for code compliance standards for your project and will not accept any returns.**
- If this unit is going to be installed in a new construction, install all the required plumbing and drainage before installing the shower. **Use a competent and licensed (if required by local code) plumber for all plumbing installation.**
- Make sure that prior to beginning the installation, the surfaces are leveled and solid and will be able to support the total weight of the unit. Also make sure the walls are at right angles. Irregular installation surface level, radius corners or improper angle of side walls will result in serious problems for your installation. Please note that some adjustments and drilling will be necessary during the installation process.
- Protect all primary surfaces of the product during installation. Never set your glass down directly onto a tile floor. Leave corner protectors in place until it is necessary to remove them. Always use a piece of wood or cardboard to protect the bottom edge and corners of the glass prior to and during installation.
- This unit must be installed upon a finished threshold and against finished walls.
- *DreamLine® shower doors are not designed to be installed into a fiberglass surround due to the radius corners and lack of a solid surface to mount the hardware.*

WARNING: TO AVOID THE RISK OF DAMAGE OR INJURY:

- **Follow all recommendations and requirements as shown in the installation instructions.**
- Perform a thorough inspection of the glass and all parts for any damage prior to installation. Any damage to tempered glass can cause breakage. **Do Not install damaged glass!**
- Do Not install or operate a shower or tub door if the glass has chipped corners, slivered edges or is otherwise damaged. Do Not install or operate a shower or tub door that has been dropped or banged into a hard surface such as tile, marble or glass.
- **CAUTION:** Contact with any hard surface can damage tempered glass and cause it to shatter.
- This product uses tempered glass. Glass cannot be cut after it has been tempered. **Do Not attempt to cut tempered glass.**
- DreamLine® Glass Shower doors, Tub doors, Inline panels, and Return panels can shatter due to improper handling or lack of maintenance. Conduct periodic inspections of glass and all parts for possible damage, missing or loose parts.
- Always wear proper safety equipment such as: safety goggles, work gloves and appropriate footwear during the installation process.
- **WARNING. Risk of leakage and/or damage.** Follow all instructions regarding the application of silicone sealant or caulk. Allow 24 hours for the sealant to cure before the initial use of the shower or tub product. Follow the silicone manufacturer's recommendations regarding the use of their product.
- **Thoroughly read these instructions before installing or using this product.**
- **Leave this manual for the end-user of the product.**



This product should be installed by someone familiar with the construction requirements for this type of project and the care necessary for the safe installation and operation of the product.



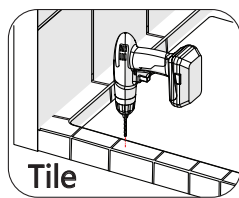
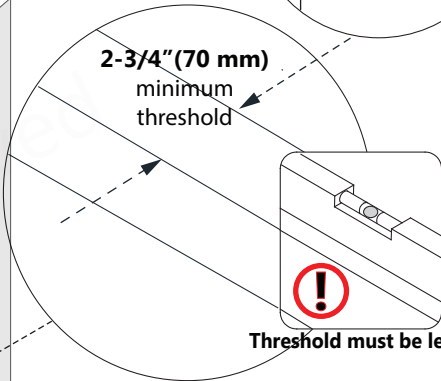
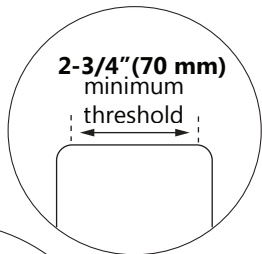
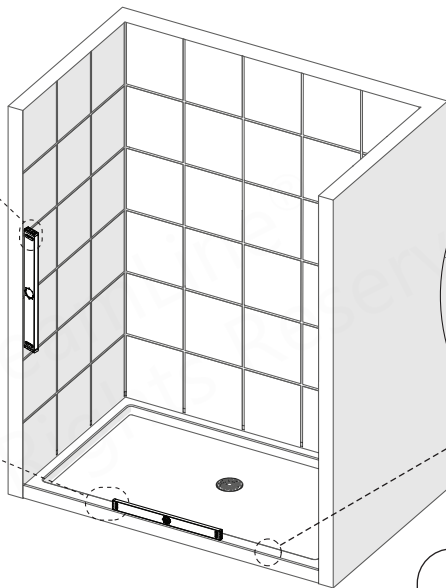
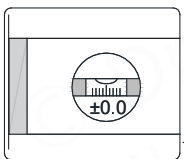
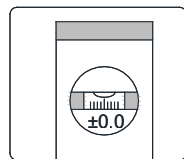
Professional Installation recommended.

Model Specific Preparation

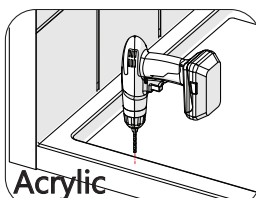
! REQUIRED:

1/4" (6.35mm) Out-of-Plumb Adjustment on the Vertical Profile Only; Verify threshold and walls with a level

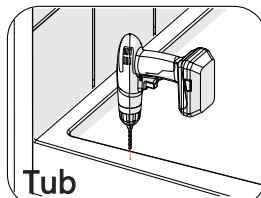
Threshold must be level !!



Tile



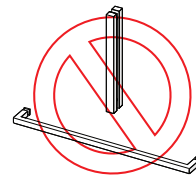
Acrylic



Tub



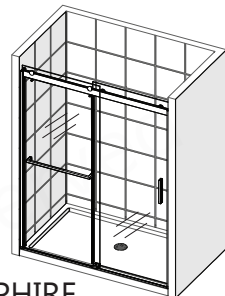
Drilling into the threshold to install the Center Guide Block is optional. Silicone can be used instead. Contact the manufacturer of the base, tub or threshold material with any questions about drilling into the threshold or tub deck.



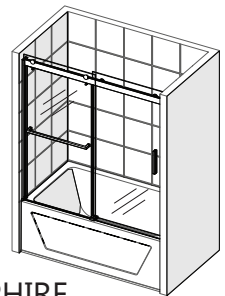
DO NOT attach the handle or towel bar to the glass until instructed to do so. **DO NOT** attempt to use the handle or towel bar to lift the door glass during installation. This may result in damage to the glass and/or serious injury. Always use a professional-grade glass suction cup and an assistant.



DO NOT hang or drape a towel or wash cloth over the Sapphire guide rail as this may cause the roller assemblies to get stuck and possibly cause serious damage or injury.

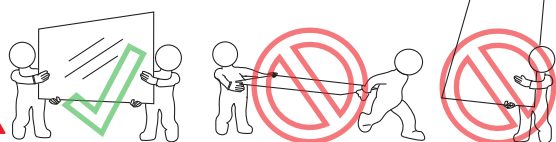


SAPHIRE Shower height model

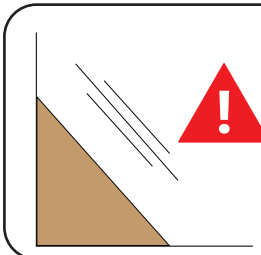


SAPHIRE Tub height model

These instructions will show the installation of the shower height model as an example. Please follow the same steps for the installation of the tub height model.



This door requires professional installation. Two installers recommended.

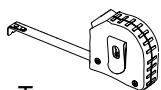


Leave corner protectors on the glass until it is necessary to remove them!

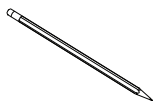
Tools



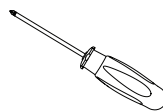
Level



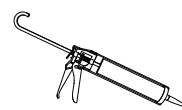
Tape Measure



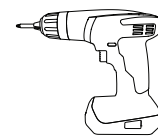
Pencil



Phillips Screwdriver



Silicone



Power Drill



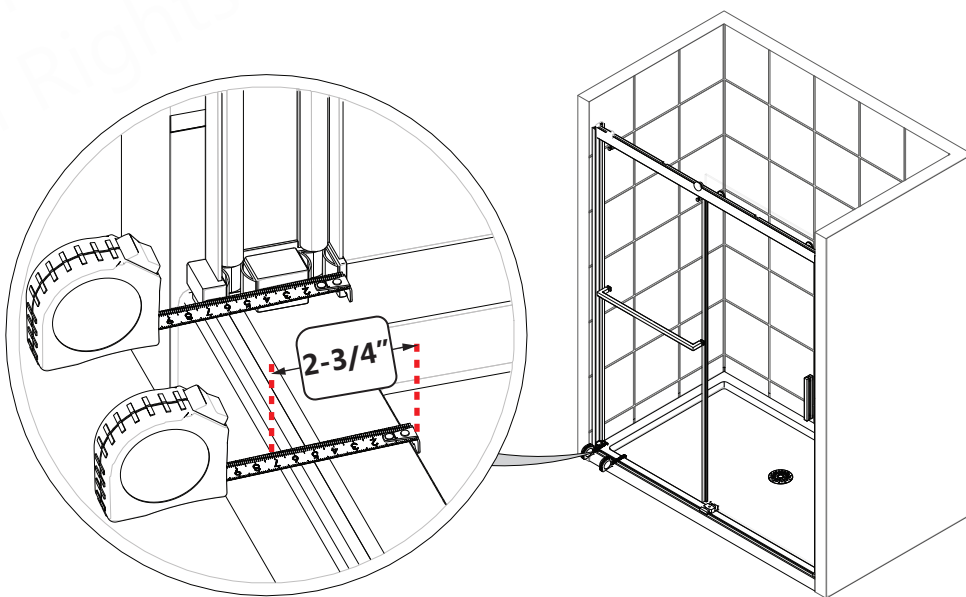
Drill Bit
Ø1/8"
(3mm)



Drill Bit
Ø5/16"
(8mm)



The threshold must be at least 2-3/4" deep to successfully install this door.



Verify that the correct model size has been ordered; measure the finished opening **before** proceeding with the installation.

Confirm that the finished walls are plumb and the threshold is level and pitched into the shower area.

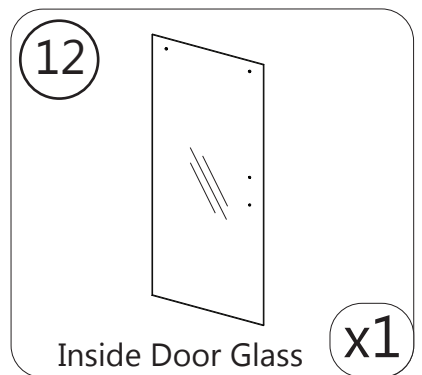
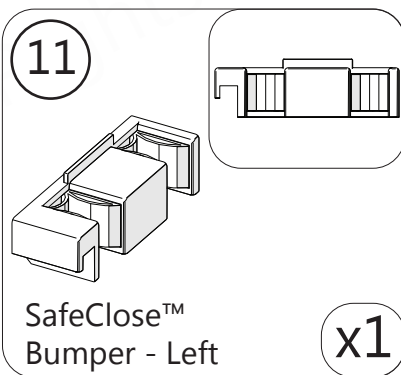
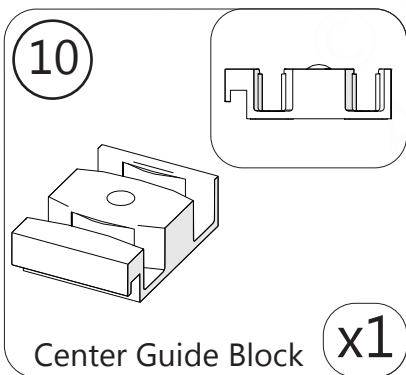
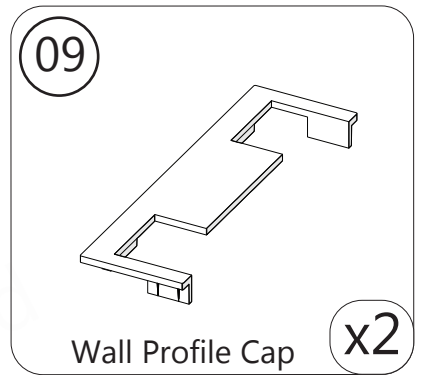
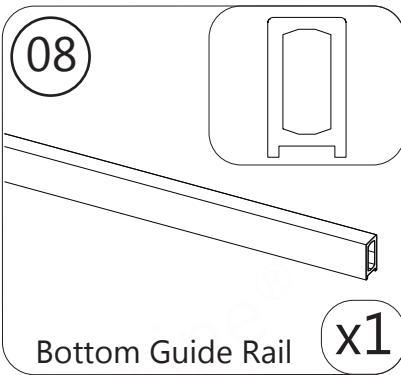
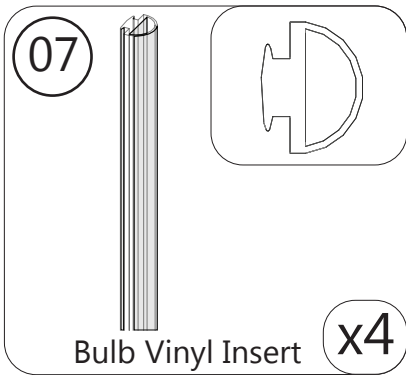
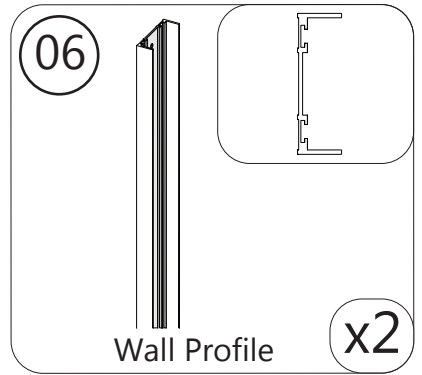
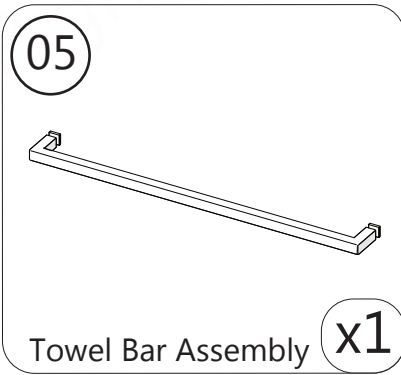
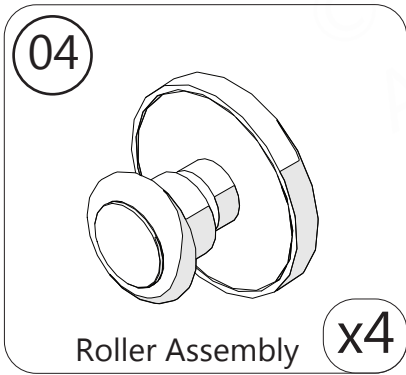
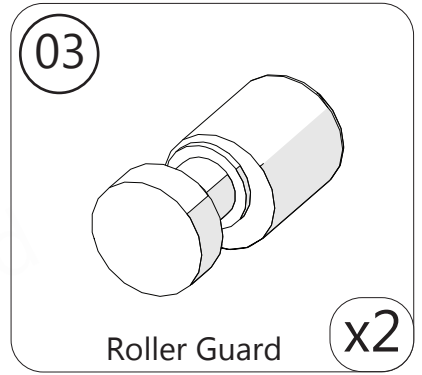
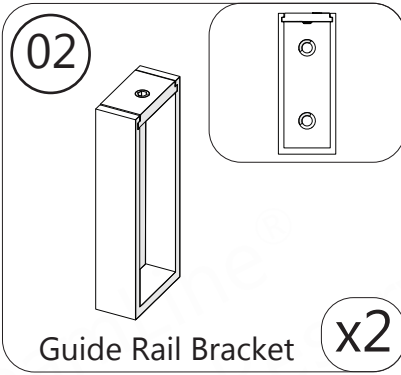
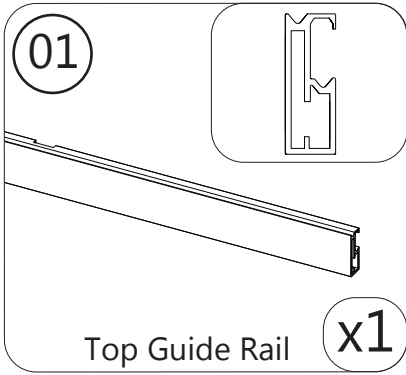
Use a good quality waterproof, mildew-resistant 100% silicone caulk.

Cover the shower/tub drain with tape prior to installation to prevent the loss of screws or small parts.

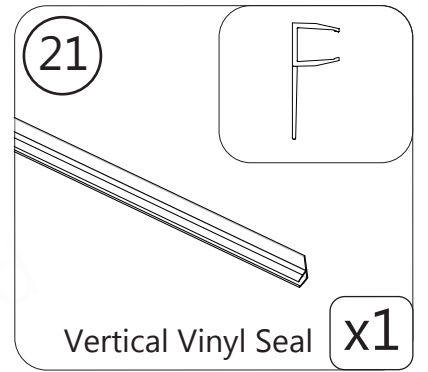
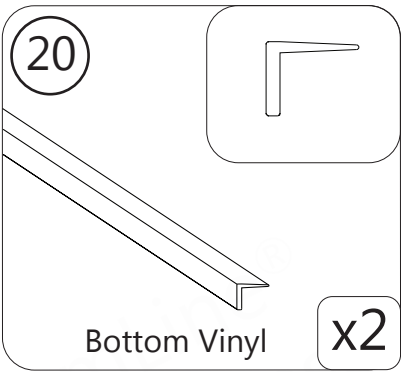
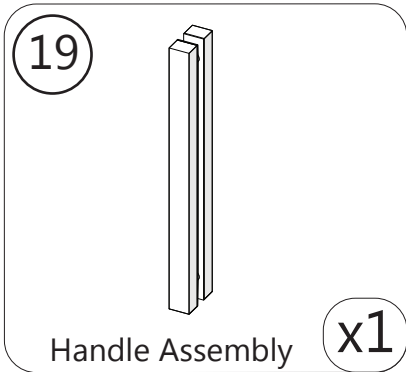
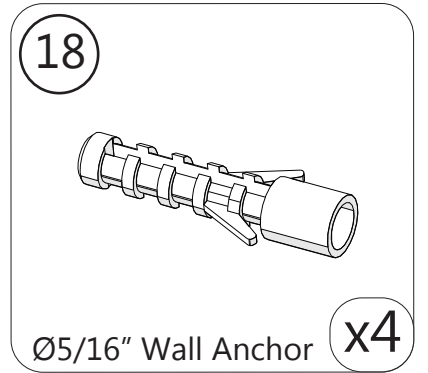
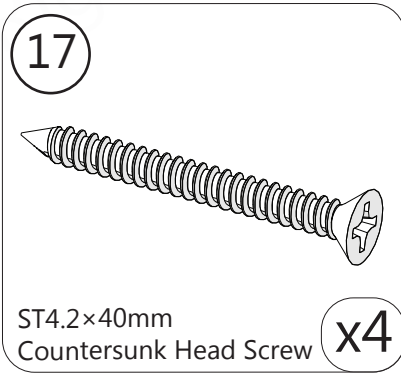
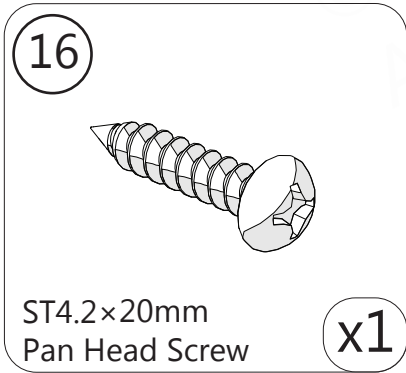
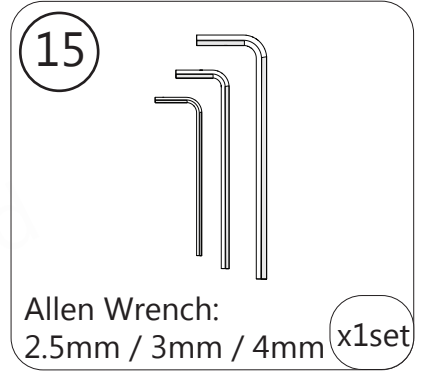
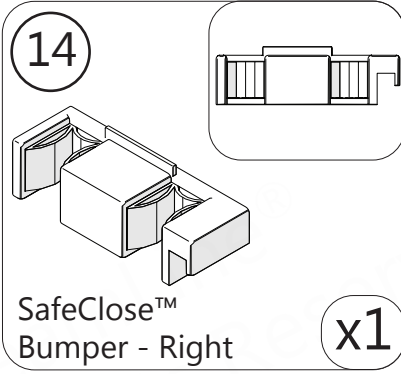
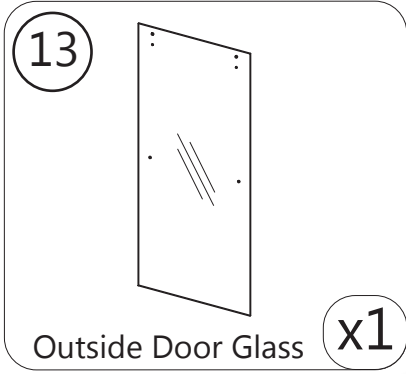


Unpack your unit carefully and inspect it. Lay it out and identify all parts using the **Detailed Diagram** on page 7; and packing list in this manual as a reference. Before discarding the carton, check for small hardware bags that may have fallen to the bottom of the box. If any parts are damaged or missing, please contact DreamLine® for replacement. The shipping boxes may contain extra parts not used in your model configuration. Retain these installation instructions for future reference.

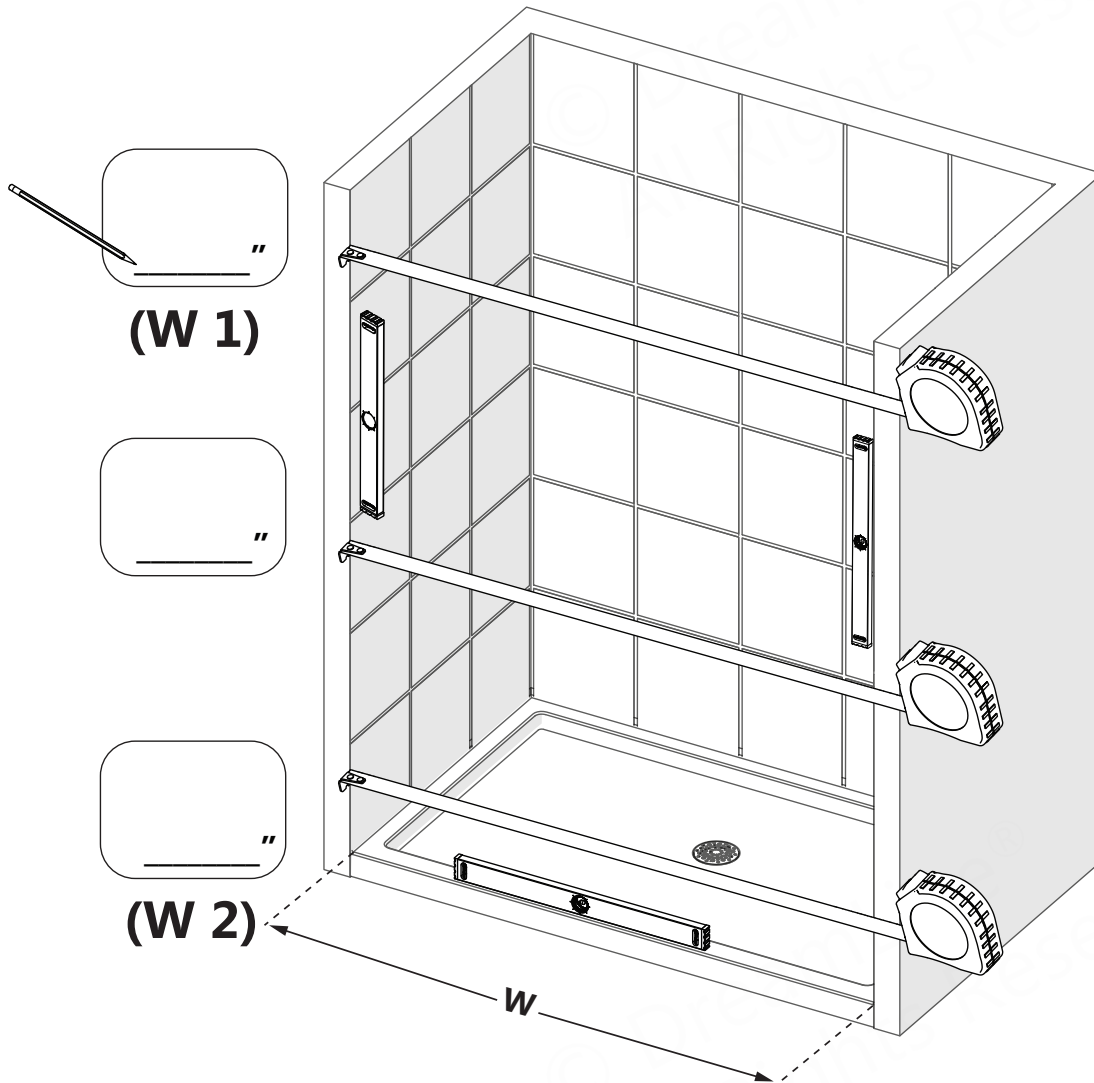
Parts List



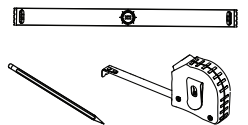
Parts List



Installation Steps

1


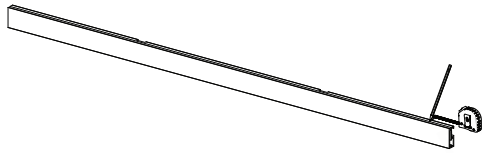
This model will only accommodate **up to 1/4" (6.35 mm)** of adjustment for **out-of-plumb** wall conditions. Confirm the walls are within 1/4" of plumb before proceeding with the installation. Also, the threshold **must** be level and pitched slightly inward for proper installation.

Fig 1
Tools Needed


2

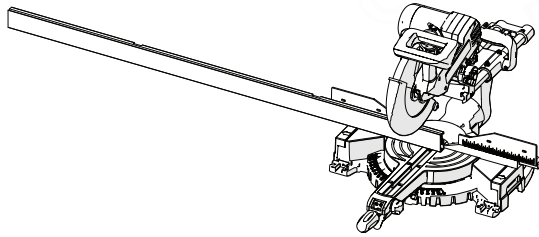
Marking and Cutting the Top and Bottom Guide Rails

1

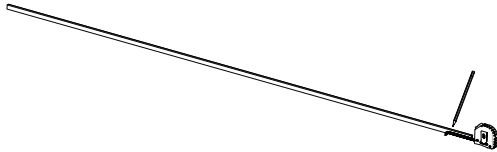


Top Guide Rail

W 1 - 9/16"



2



Bottom Guide Rail

W 2 - 1/16"

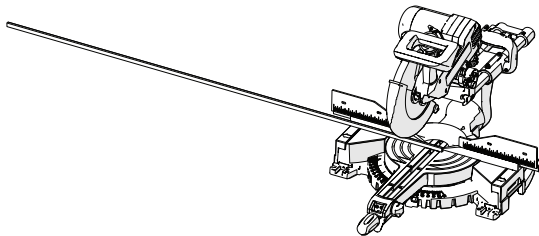
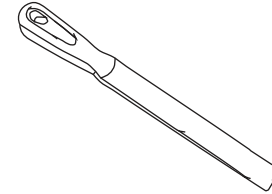
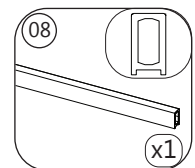
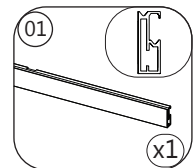


Fig 2

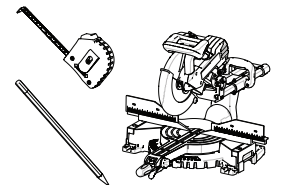


Tip: Use a metal file to remove any burrs from the cut ends of the rails.

Parts Needed



Tools Needed



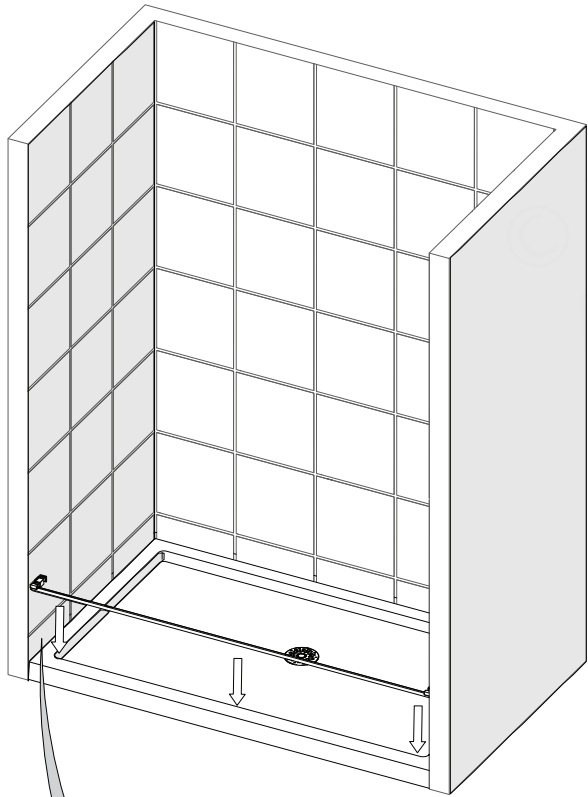
Cut the **Upper Guide Rail (#01)** and the **Bottom Rail (#08)** to fit the finished opening according to the measurements at each location, using either a compound miter saw (preferred) or a hacksaw and miter box:

NOTE

- Cut the **Upper Guide Rail (#01)** to:
"W1"(top) dimension - 9/16" (Fig 2a)
- Cut the **Bottom Rail (#08)** to:
"W2" (bottom) dimension - 1/16" (Fig 2b)

3

Placing the Bottom Guide Rail, SafeClose™ Bumpers and Center Guide Block



Measure to locate the center of the **Bottom Guide Rail (#08)** and place the **Center Guide Block (#10)** on the mark.

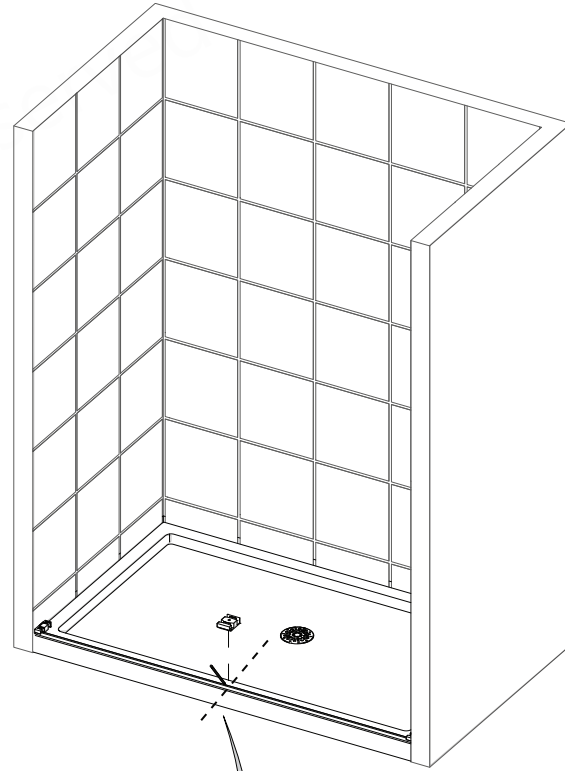
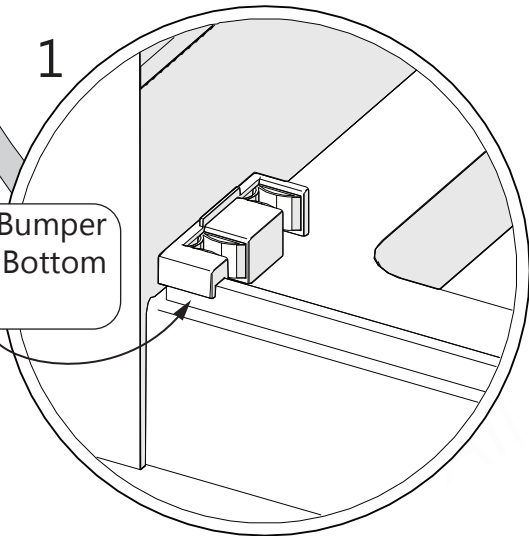


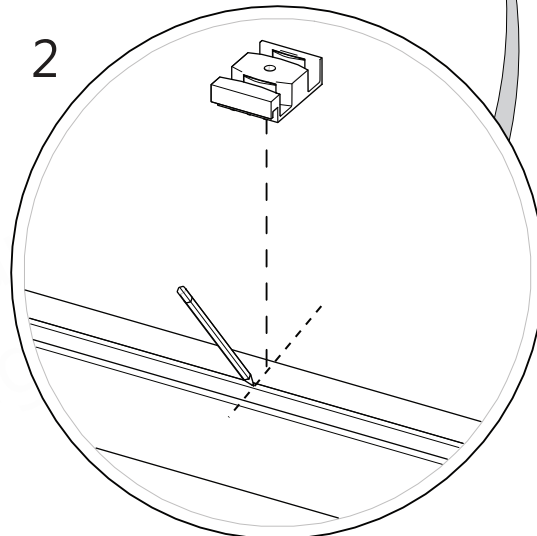
Fig 3

1

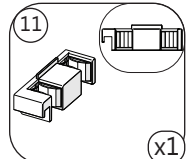
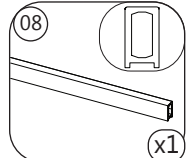
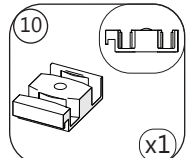
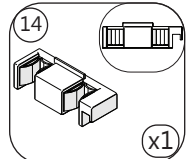
SafeClose™ Bumper fits over the Bottom Guide Rail



2



Parts Needed



Tools Needed



4 Marking the Bottom Guide Rail, SafeClose™ Bumpers and Center Guide Block

NOTE

Bottom Guide Rail must be parallel to and even with the outside edge of the threshold across the span.

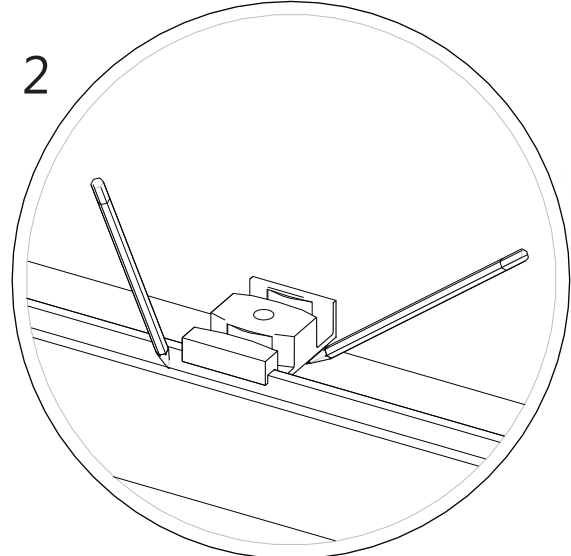
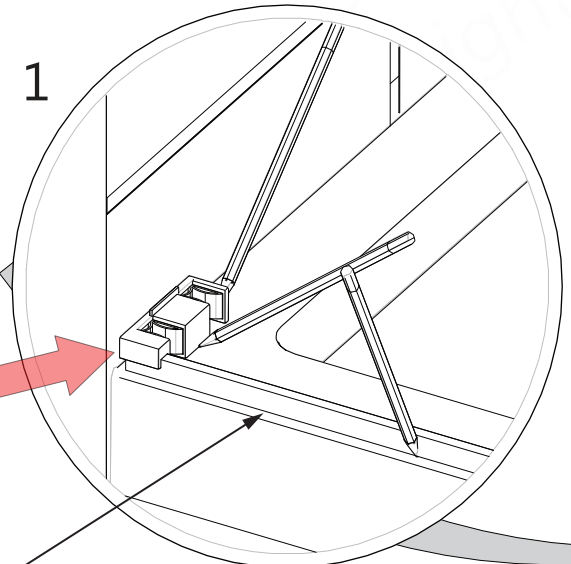
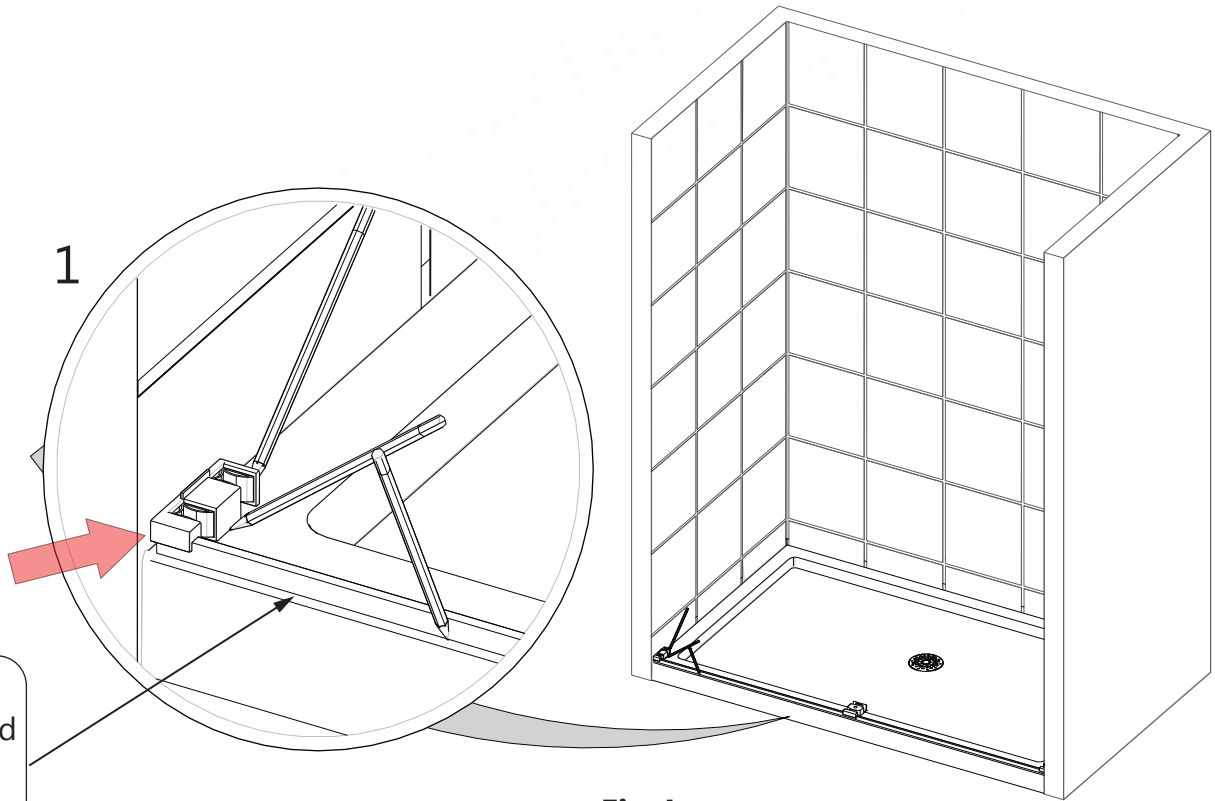


Fig 4

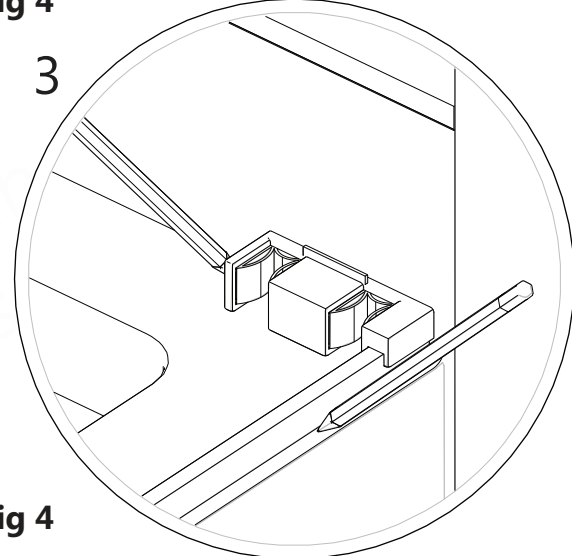
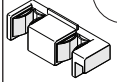
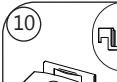

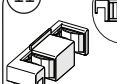


Fig 4

Parts Needed

- 14  (x1)
- 10  (x1)
- 08  (x1)
- 11  (x1)

Tools Needed



5

Installing the Bottom Guide Rail and SafeClose™ Bumpers

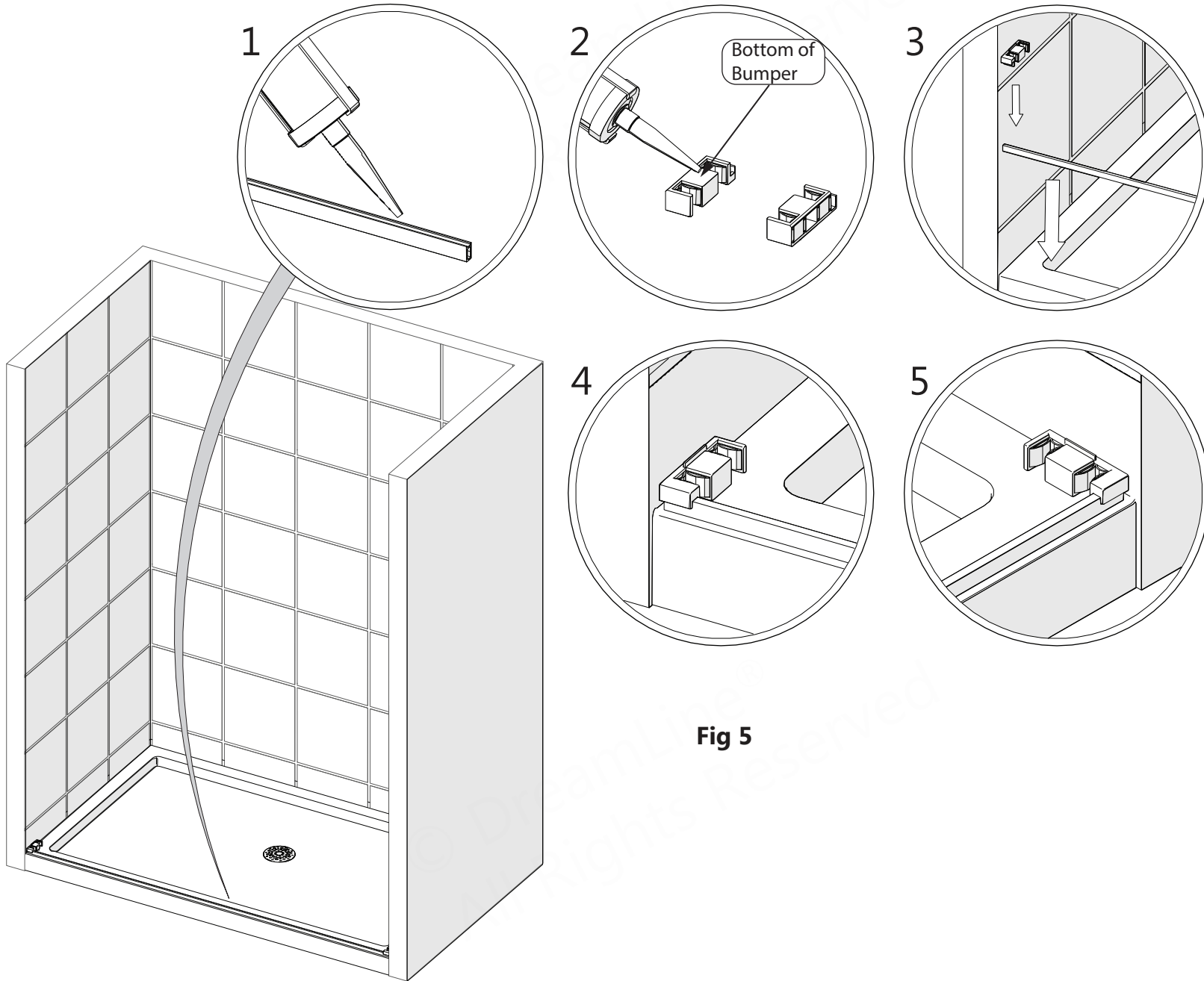
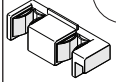
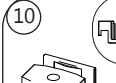

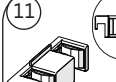
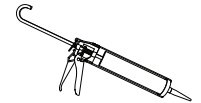


Fig 5

Parts Needed

- 14  (x1)
- 10  (x1)
- 08  (x1)
- 11  (x1)

Tools Needed



6

Installing the Center Guide Block

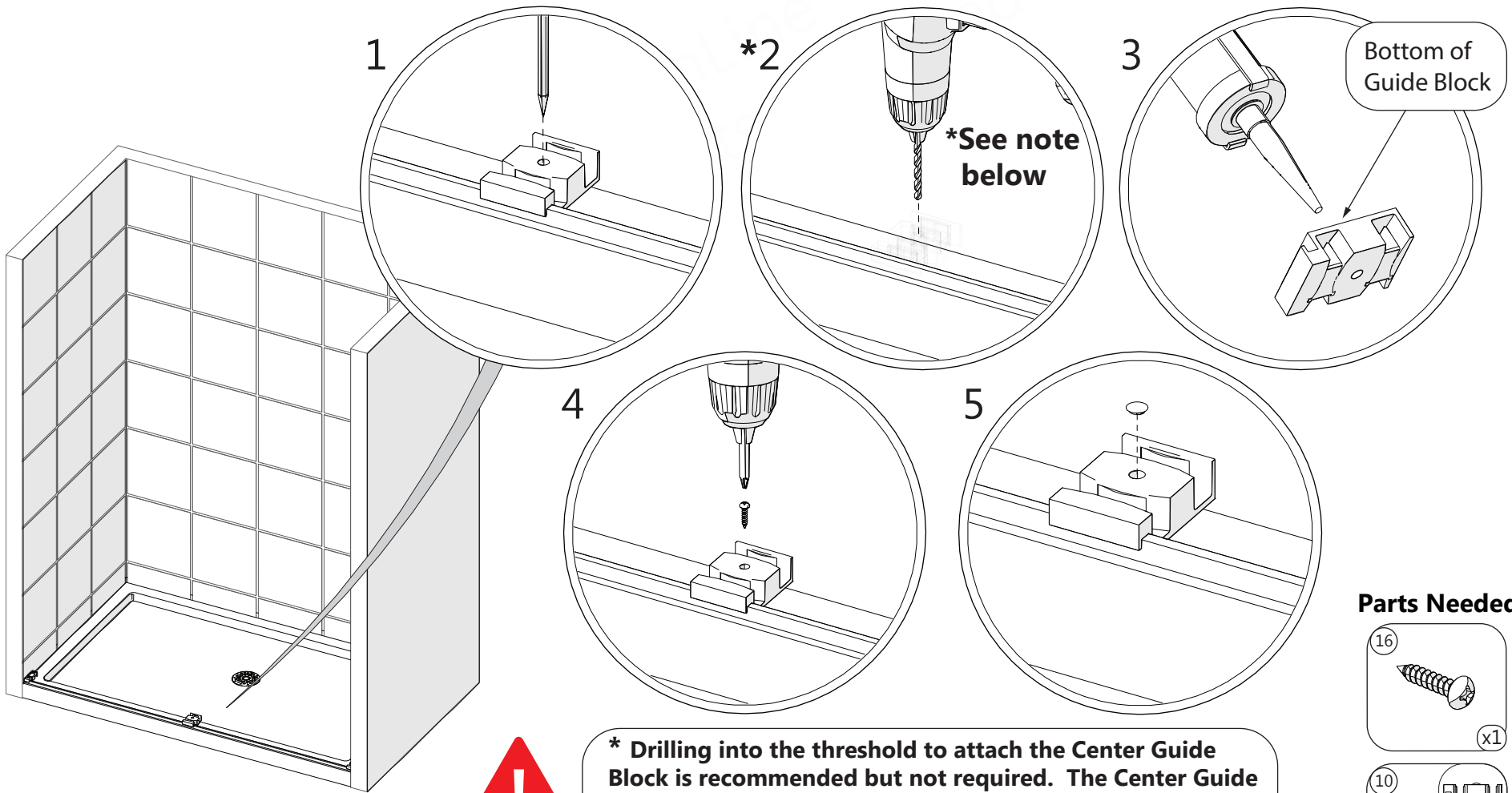
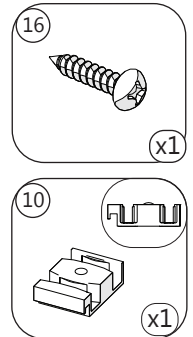


Fig 6



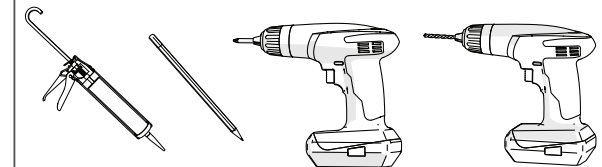
* Drilling into the threshold to attach the Center Guide Block is recommended but not required. The Center Guide Block can also be installed using only silicone.

Parts Needed



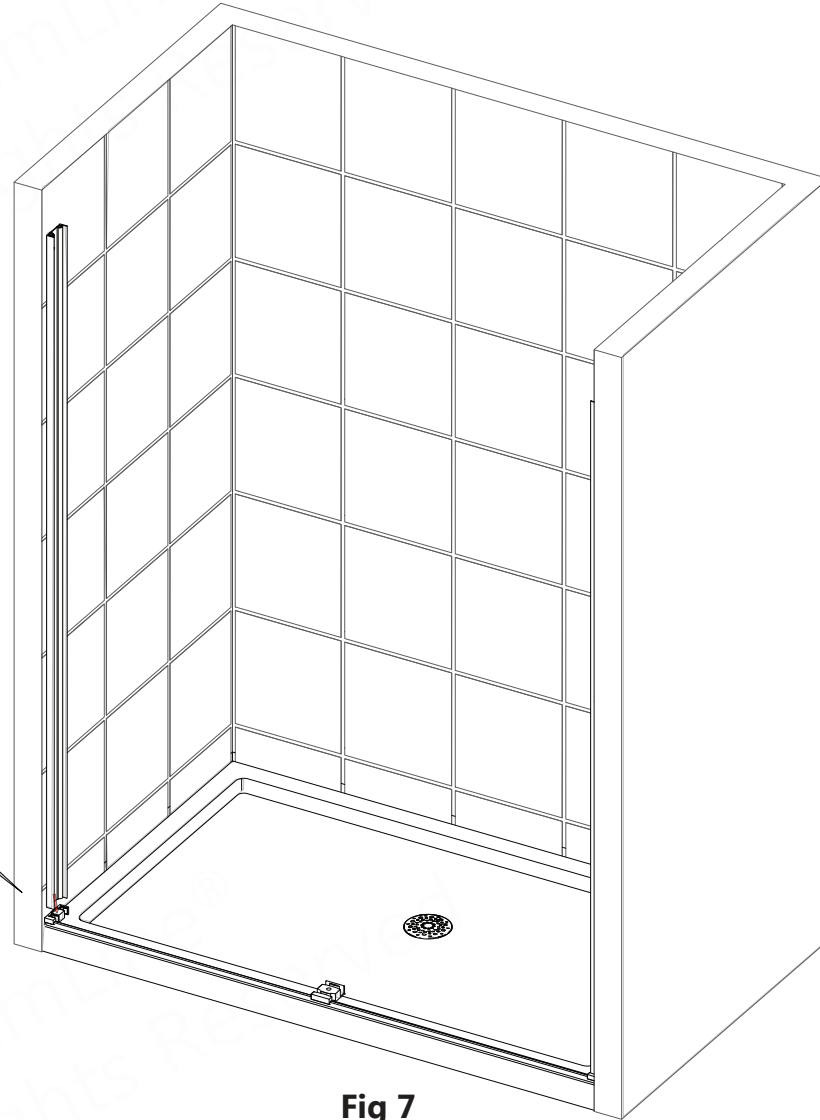
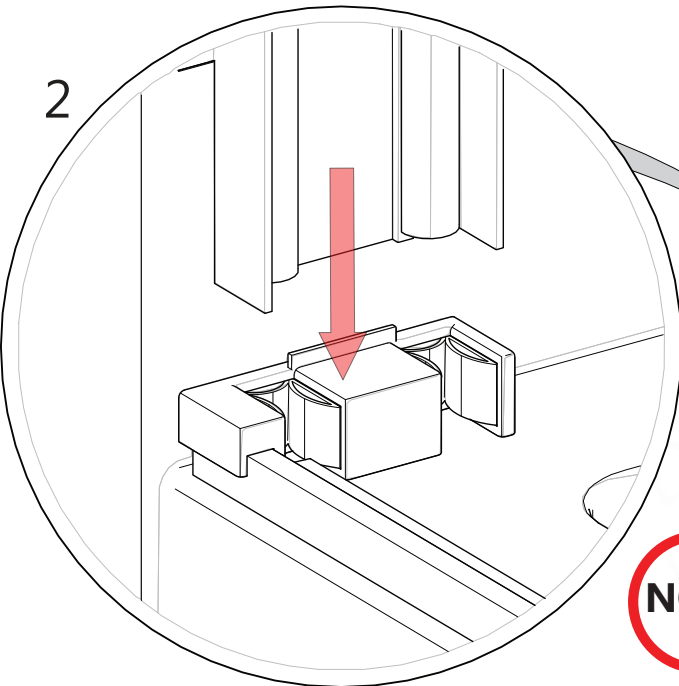
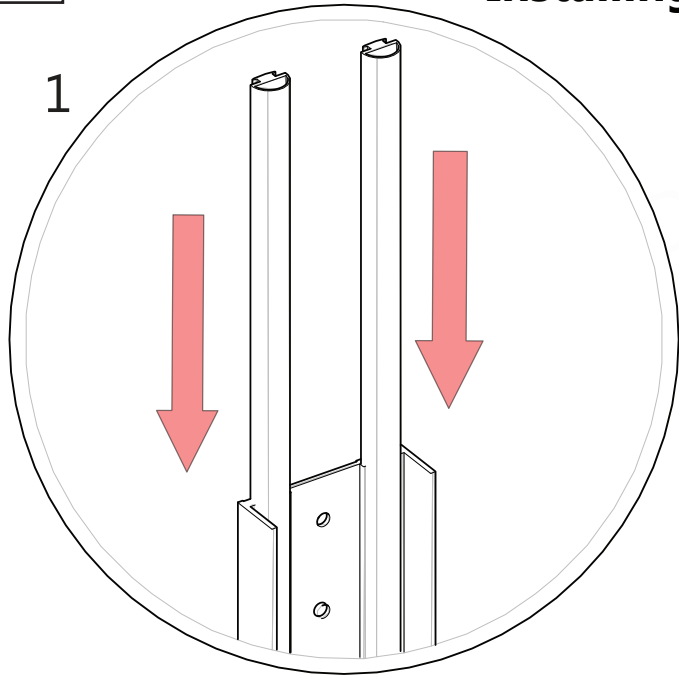
- For installation into an **Acrylic Threshold**: drill a $\text{Ø}1/8''$ (3mm) hole and use the ST4.2 x 20mm Pan Head Screw (#16)
- OR
- For installation into a **Tile Threshold**: drill a $\text{Ø}3/16''$ (4mm) hole to the stud, drill an $\text{Ø}1/8''$ (3mm) pilot hole into the stud and use the ST4.2 x 20mm Pan Head Screw (#16).

Tools Needed



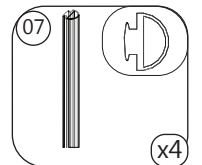
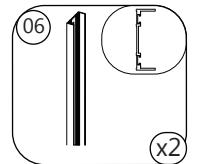
7

Installing the Wall Profiles and Bumpers



NOTE Repeat steps for the other side of the shower

Parts Needed



8

Plumb and Mark the Wall Profiles for Drilling

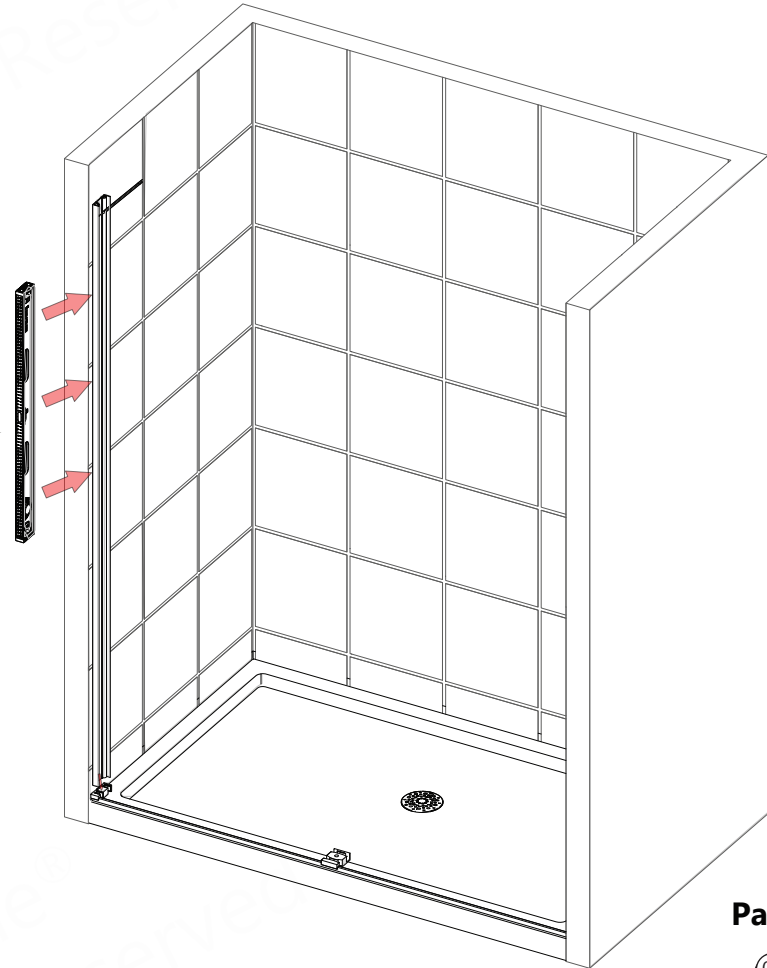
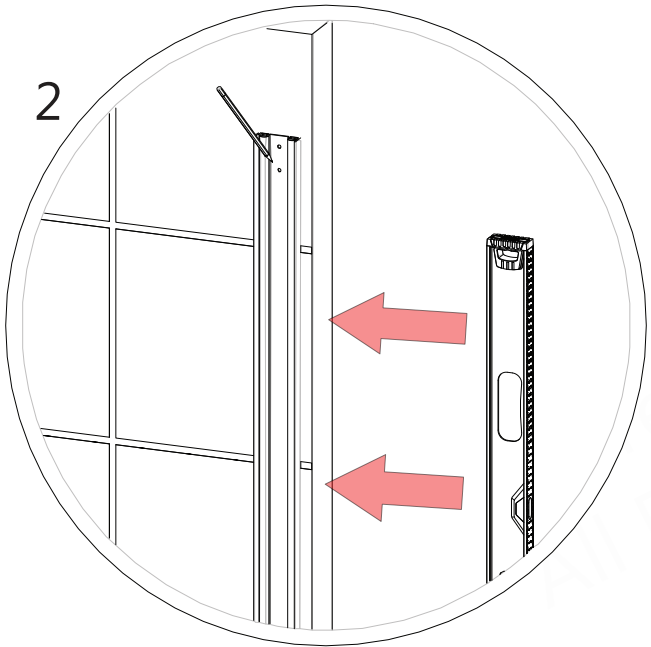
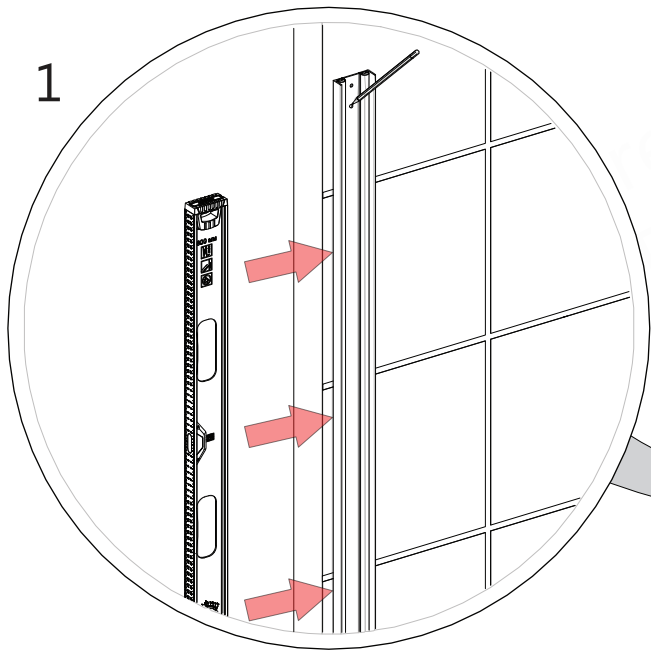
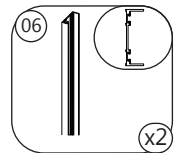
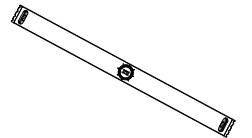


Fig 8

Parts Needed



Tools Needed



9

Drilling for the Wall Profiles

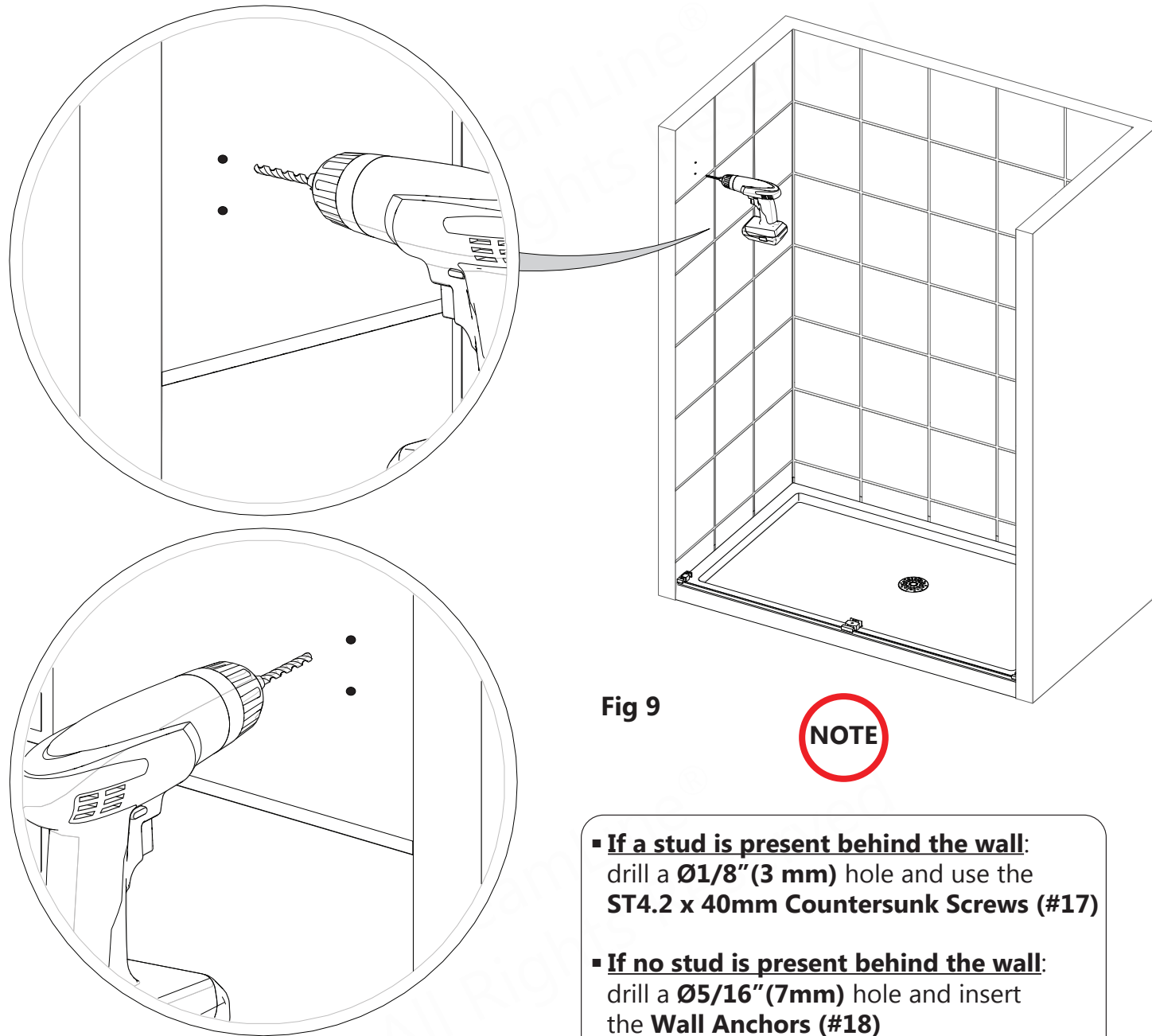
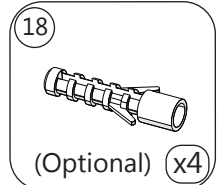
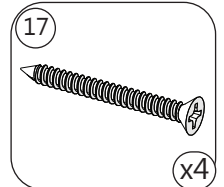


Fig 9

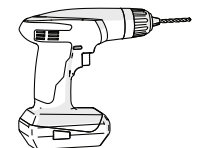
NOTE

- **If a stud is present behind the wall:** drill a $\text{Ø}1/8''$ (3 mm) hole and use the **ST4.2 x 40mm Countersunk Screws (#17)**
- **If no stud is present behind the wall:** drill a $\text{Ø}5/16''$ (7mm) hole and insert the **Wall Anchors (#18)** and use the **ST4.2 x 40mm Countersunk Screws (#17)**.

Parts Needed

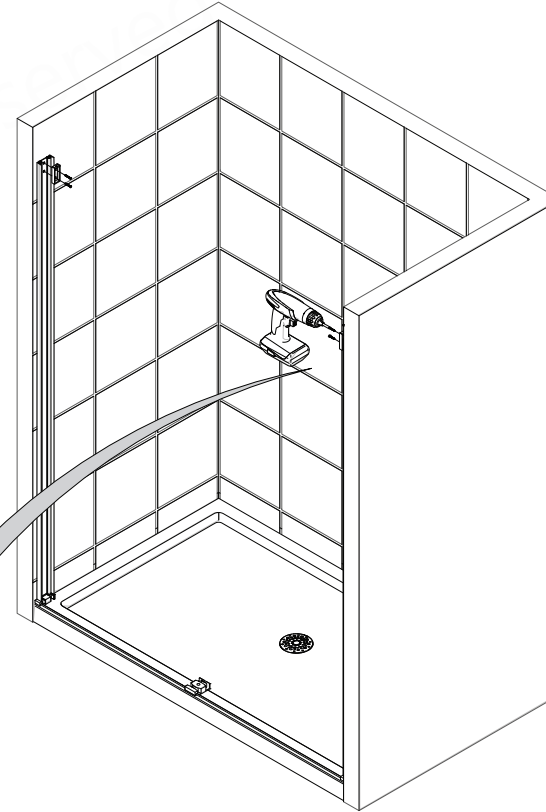
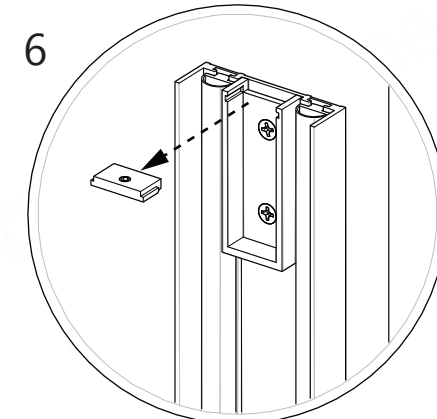
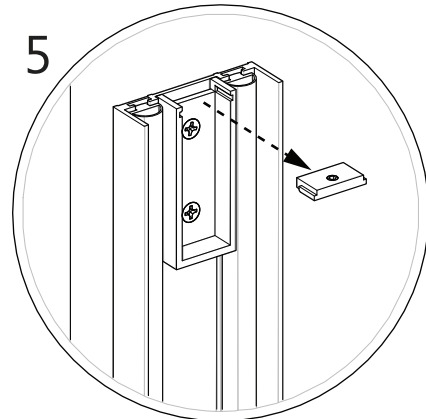
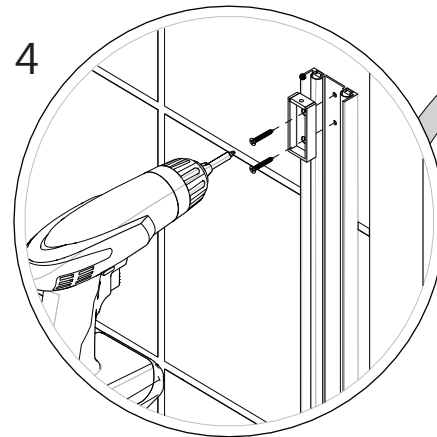
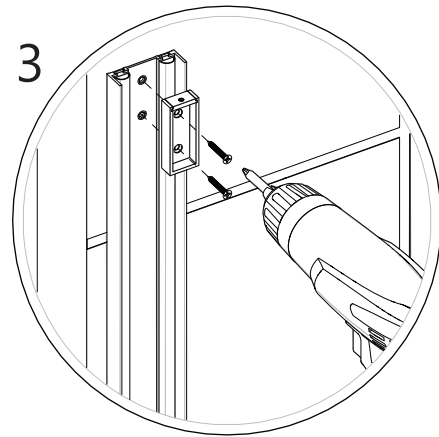
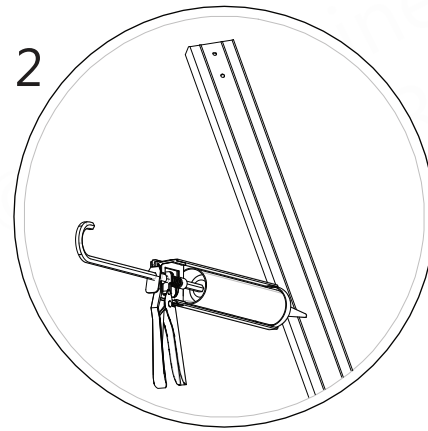
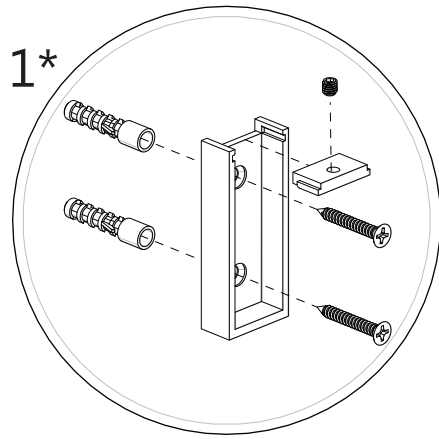


Tools Needed

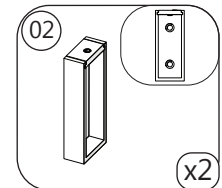
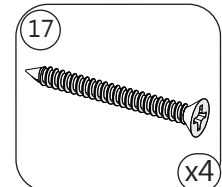
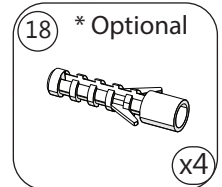


10

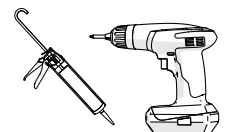
Installing The Wall Profiles and the Guide Rail Brackets



Parts Needed

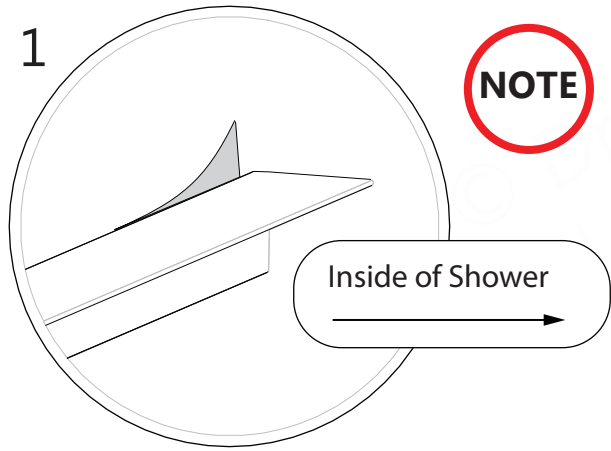


Tools Needed



11

Installing the Vinyl Seals on the Bottom Guide Rail



NOTE

Dry fit both vinyls, then remove the coverings on the VHB Tape. Press firmly.

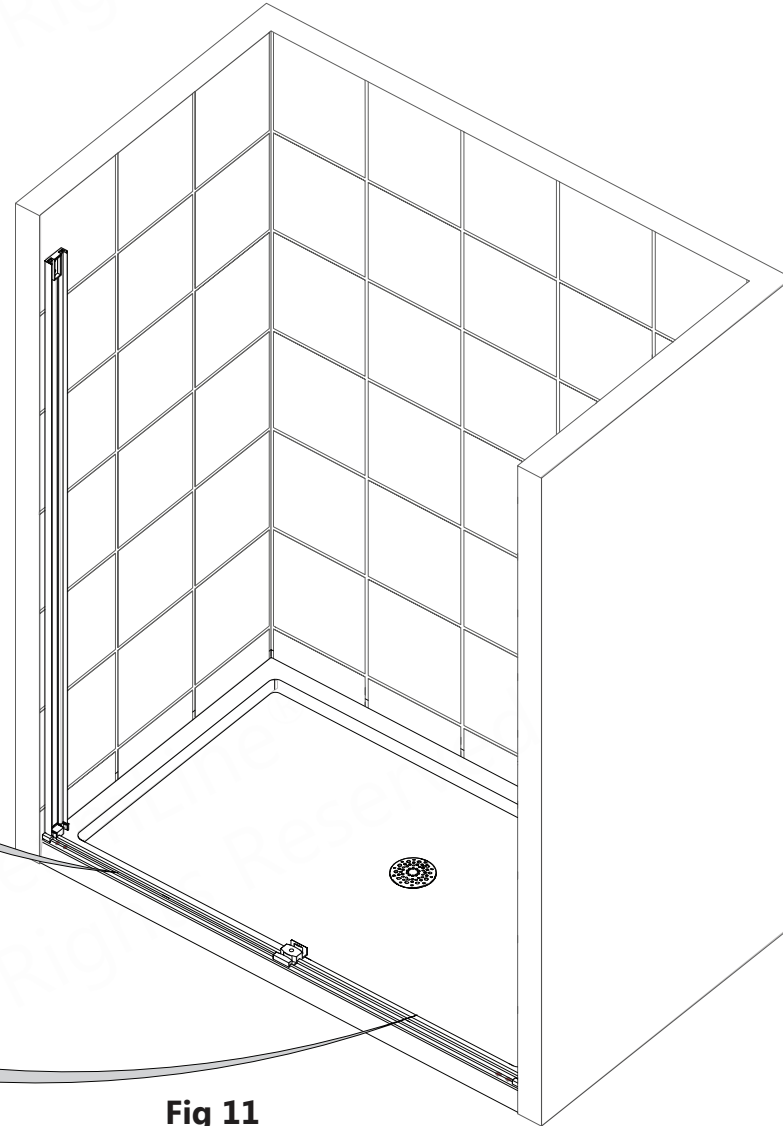
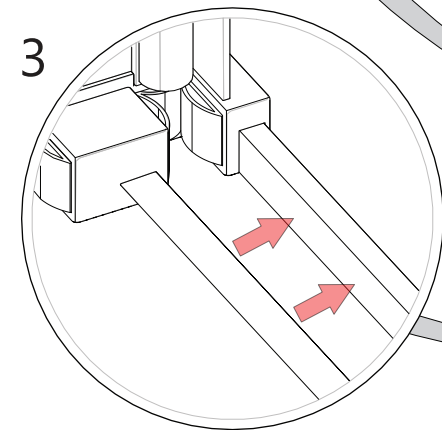
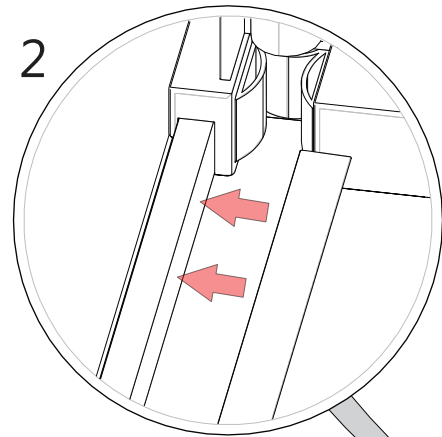
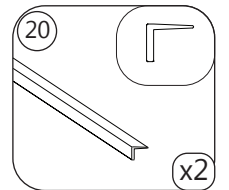


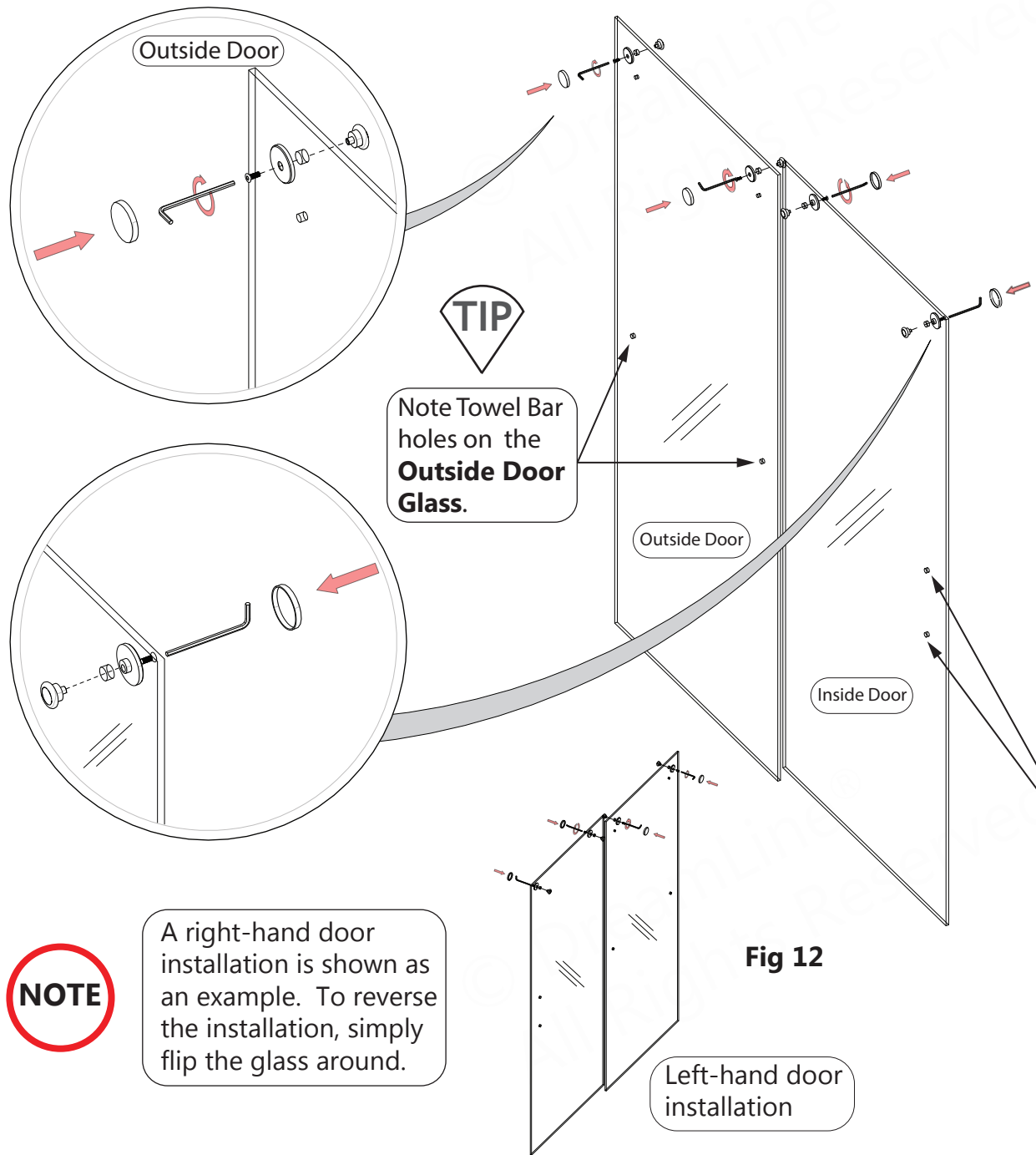
Fig 11

Parts Needed



12

Installing the Roller Wheels on Both Doors



TIP

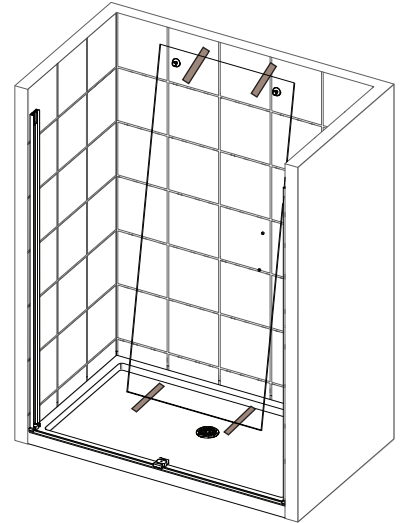
Place the **Inside Door Glass** in the rear of the opening to the next step. Protect the glass edges.

TIP

Note Towel Bar holes on the **Outside Door Glass**.

TIP

Note position of handle holes on the strike side of the **Inside Door Glass**.



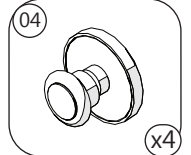
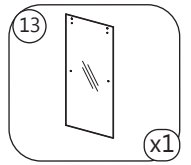
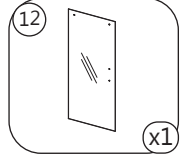
NOTE

A right-hand door installation is shown as an example. To reverse the installation, simply flip the glass around.

Fig 12

Left-hand door installation

Parts Needed

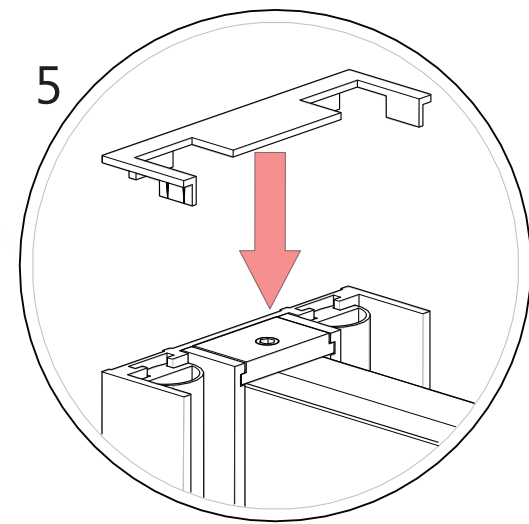
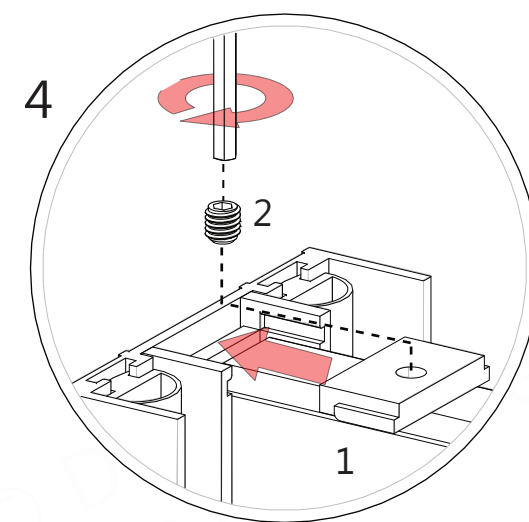
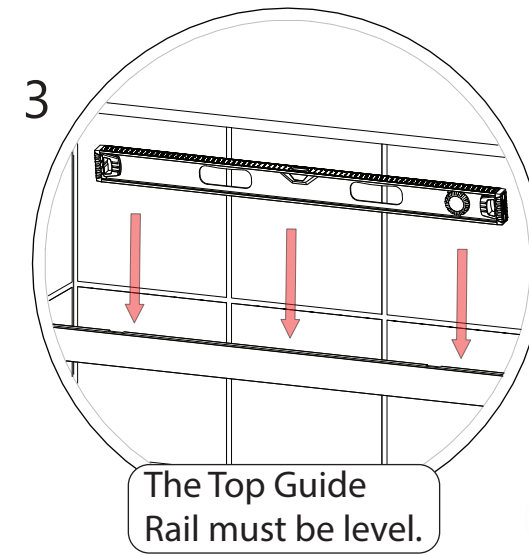
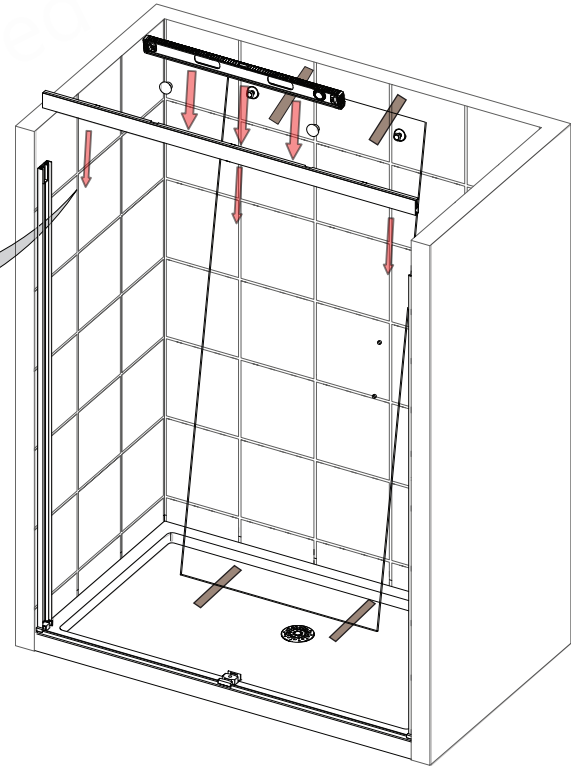
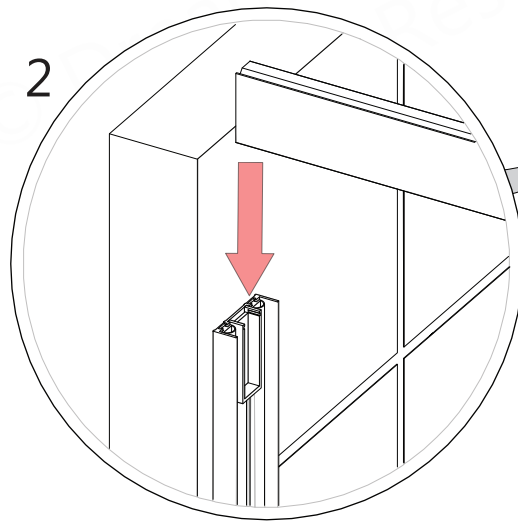
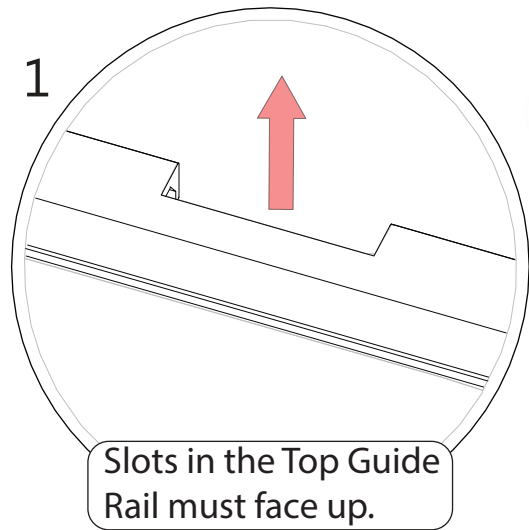


Tools Needed

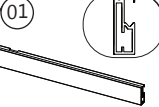
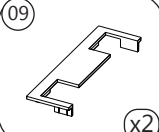


13

Installing the Top Guide Rail and Caps



Parts Needed

- 01  (x1)
- 09  (x2)

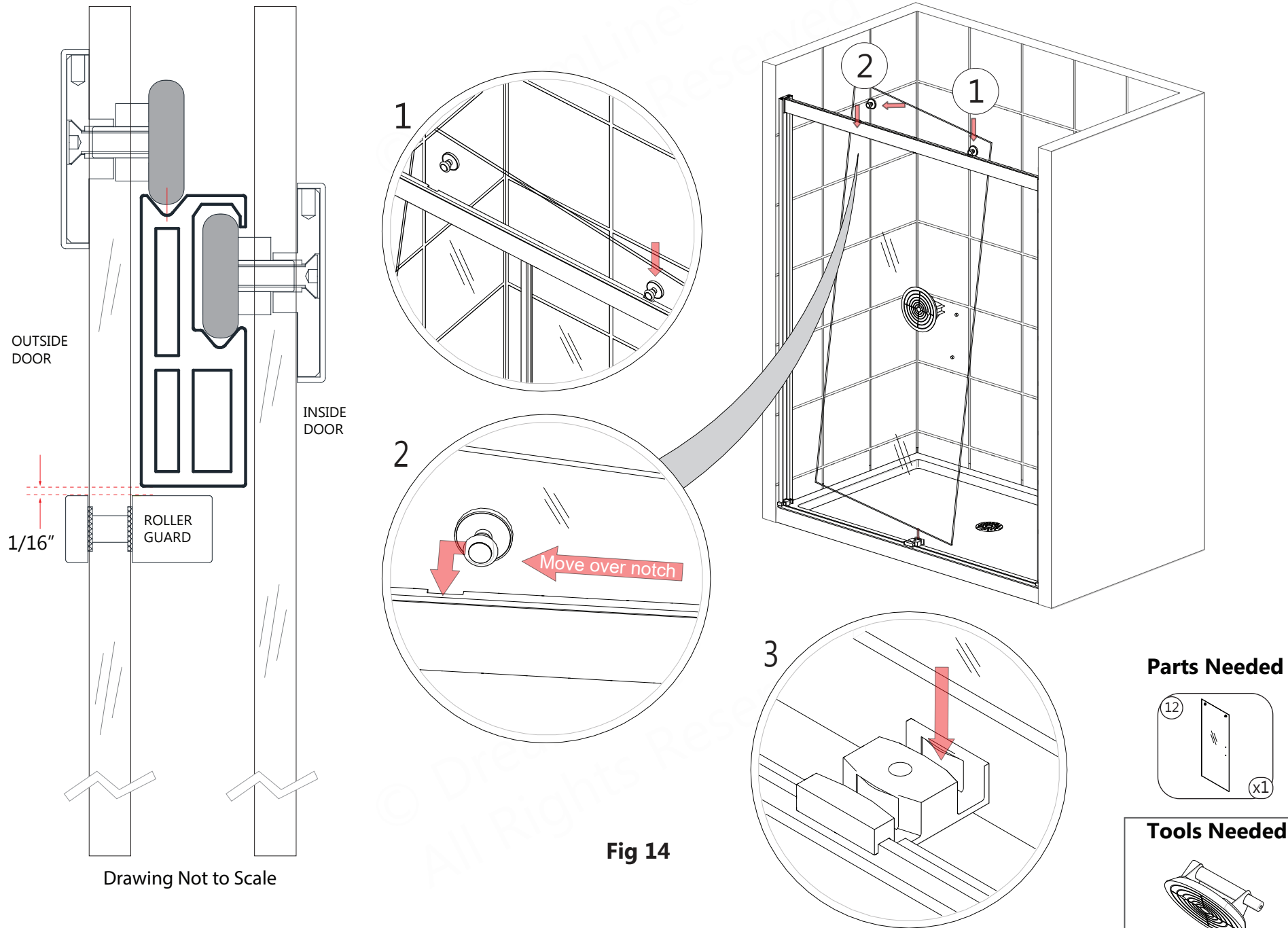
Tools Needed



Fig 13

14

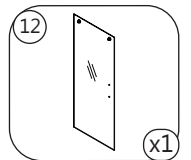
Hanging the Inside Door



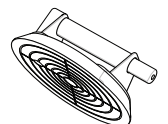
Drawing Not to Scale

Fig 14

Parts Needed



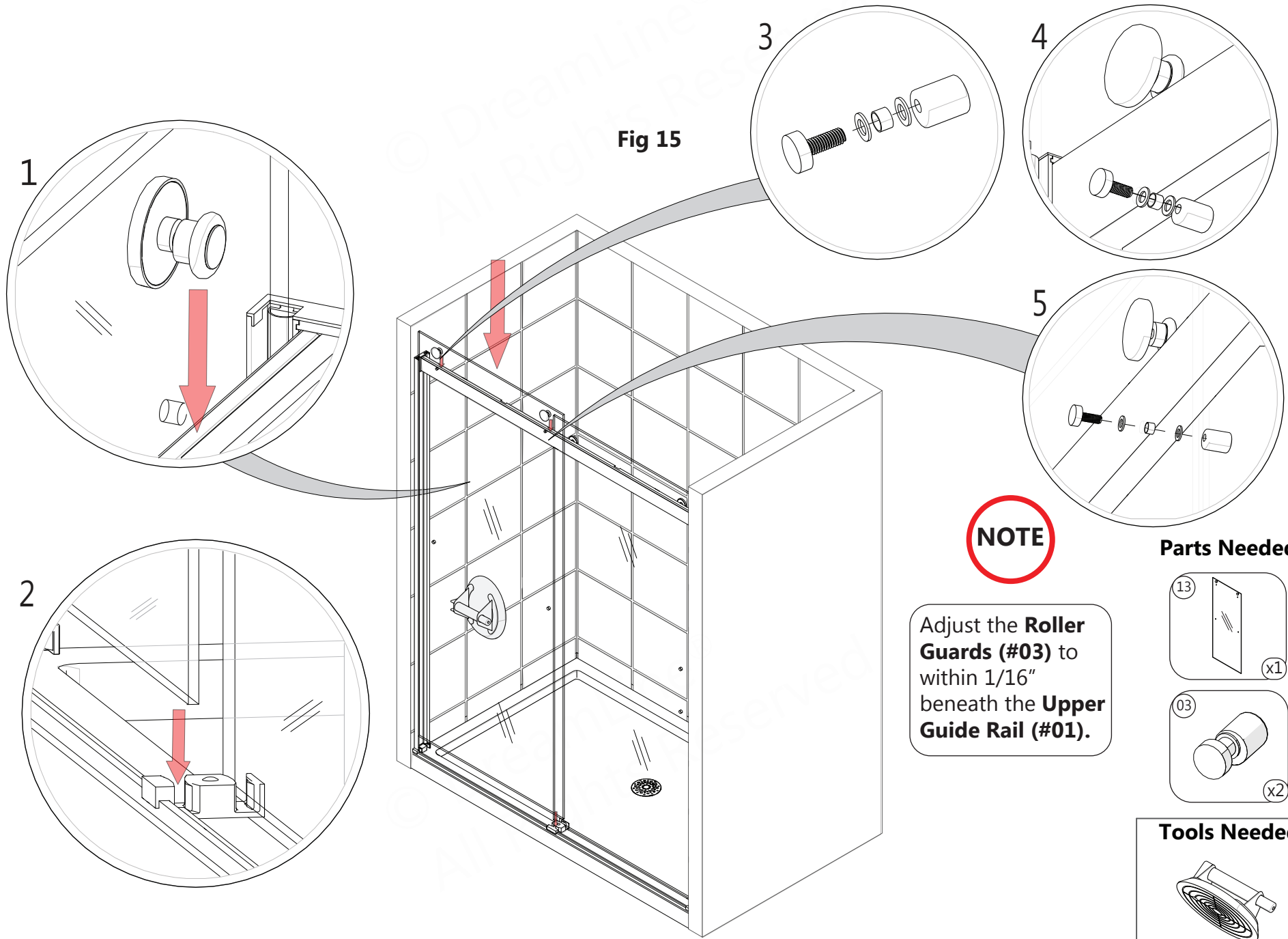
Tools Needed



15

Hanging the Outside Door

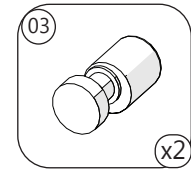
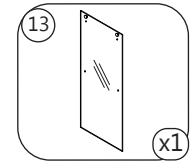
Fig 15



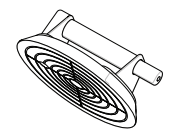
NOTE

Adjust the **Roller Guards (#03)** to within 1/16" beneath the **Upper Guide Rail (#01)**.

Parts Needed



Tools Needed



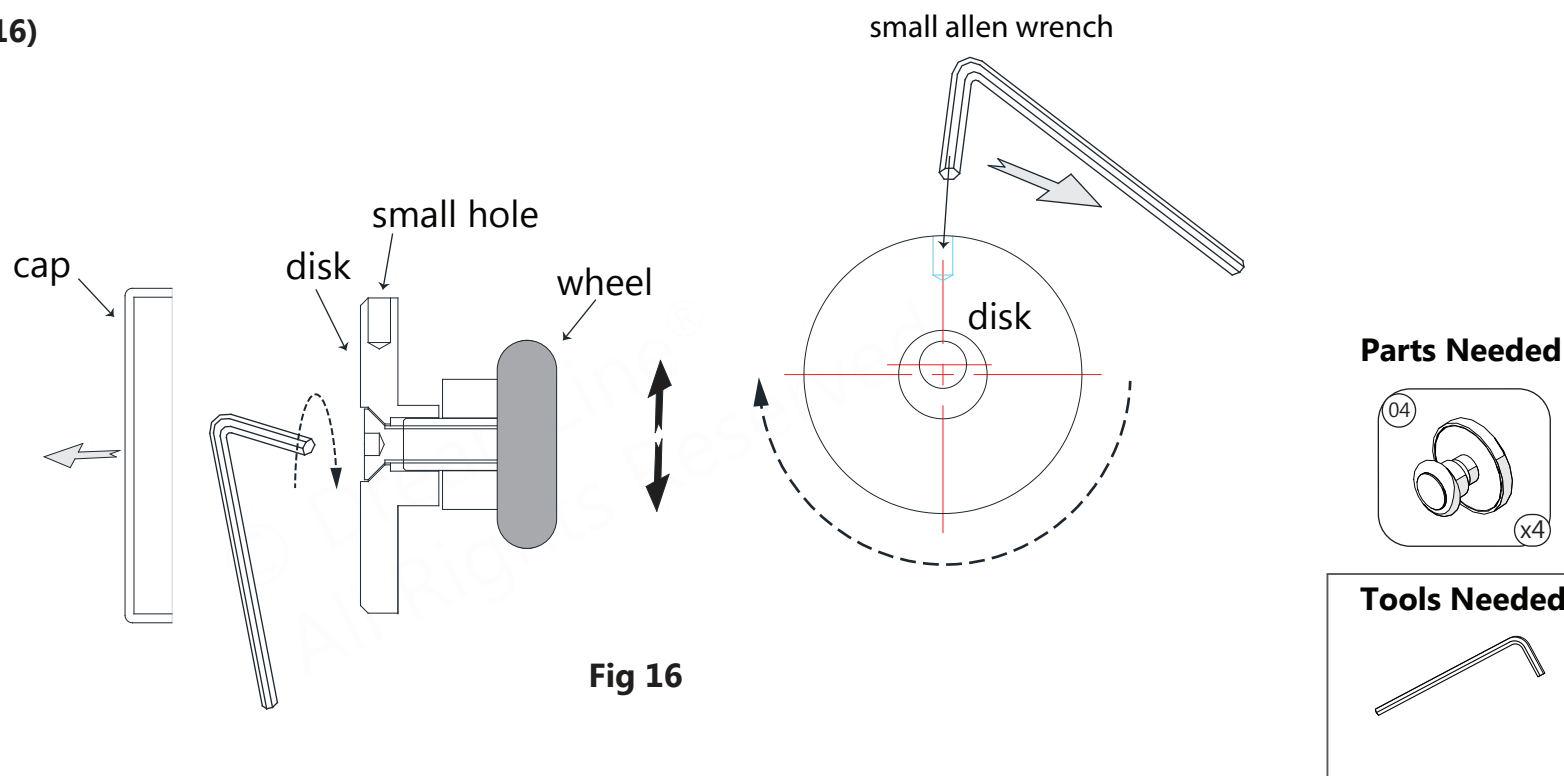
16

Roller Wheel Adjustment (if needed)

TIP: The wheel assembly bushing that fits through the hole in the glass is elliptical. By rotating this disk, the door glass can be adjusted (tilted) slightly in order to make even contact between the walls and the Bulb Vinyl Inserts and prevent leakage.

- Only adjust one wheel at a time
- "Hand" the doors in the desired positions (adjusting for one wall may not match the opposite wall)
- Use a shim beneath the door glass to prevent contact with the threshold during adjustments
- Temporarily lower the roller guards to allow clearance to adjust the rollers
- Remove the cap from the wheel assembly and loosen the bolt
- Insert a small allen wrench or similar tool into the small hole in the edge of the adjustment disk to help rotate the disk (see Fig 21b) and tilt the door glass to seal with the bulb vinyl in the wall profile
- Hold the glass and the adjustment disk in position and re-tighten the bolt
- Test the operation of the door. Repeat the adjustment process on the other rollers if necessary
- Replace the Wheel assembly cap
- Re-adjust and fully tighten the **Roller Guards (#03)** to within 1/16" of the **Upper Guide Rail (#01)**

(Fig 16)

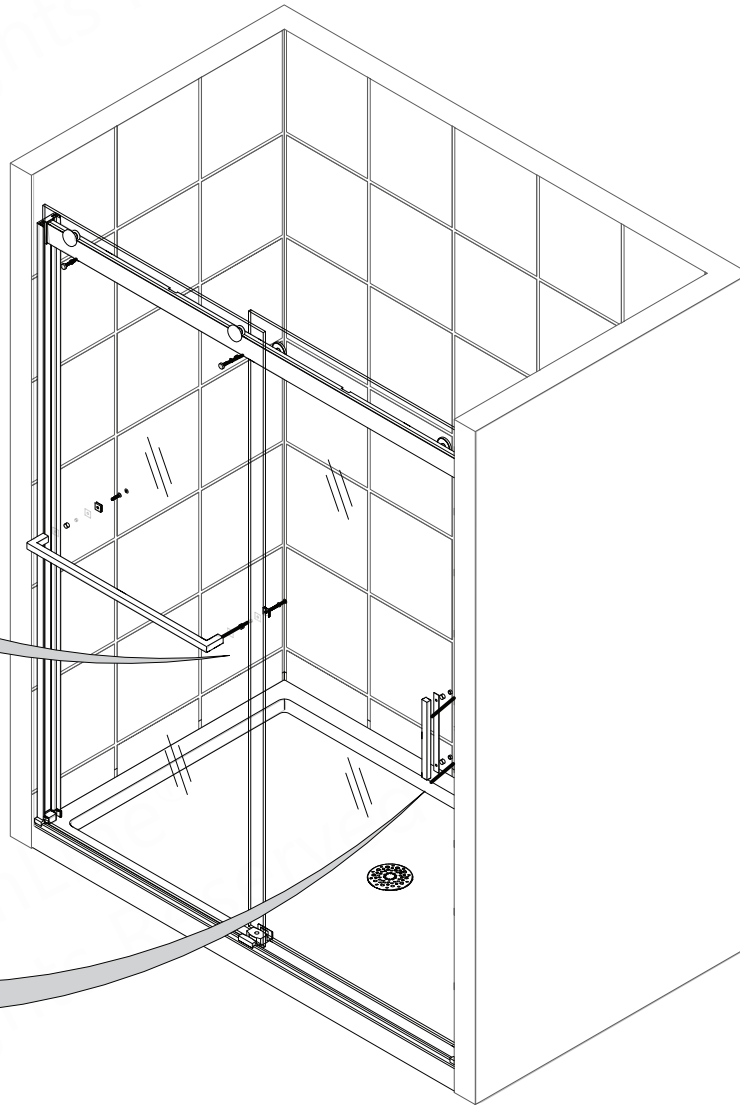
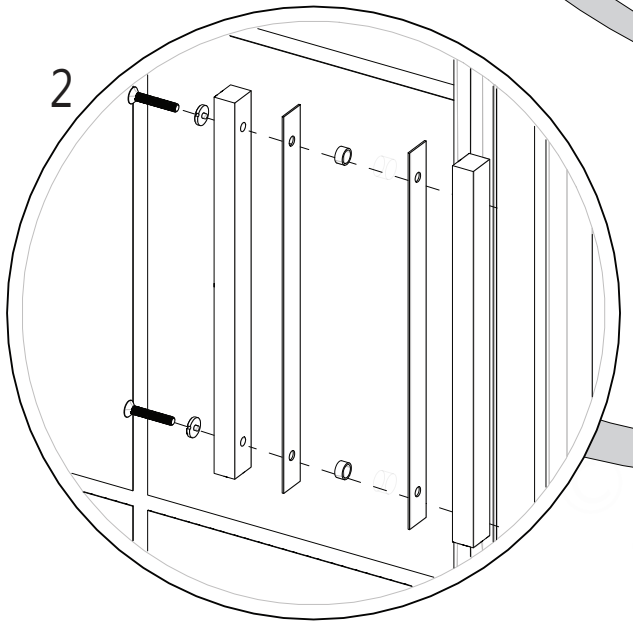
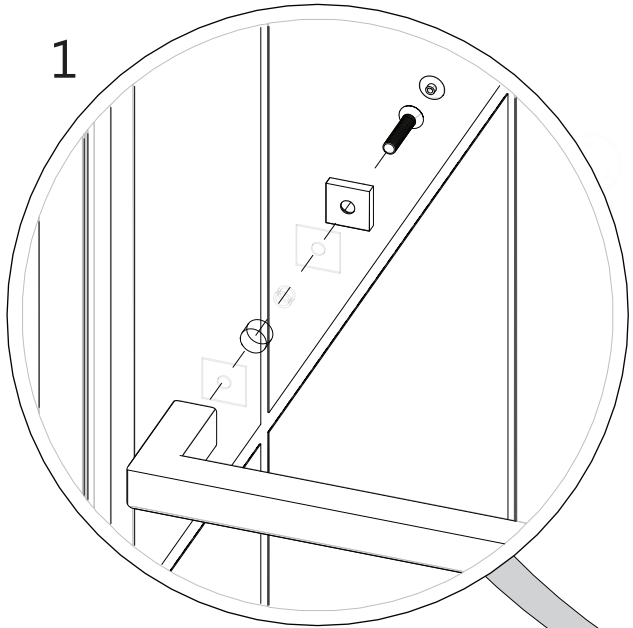


17

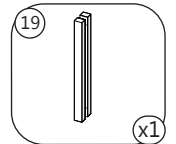
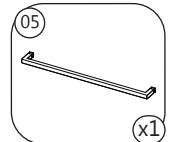
Installing the Towel Bar and the Handle



Do Not use Towel bars or Handles as Grab Bars



Parts Needed



Tools Needed



Fig 17

18

Application of Silicone

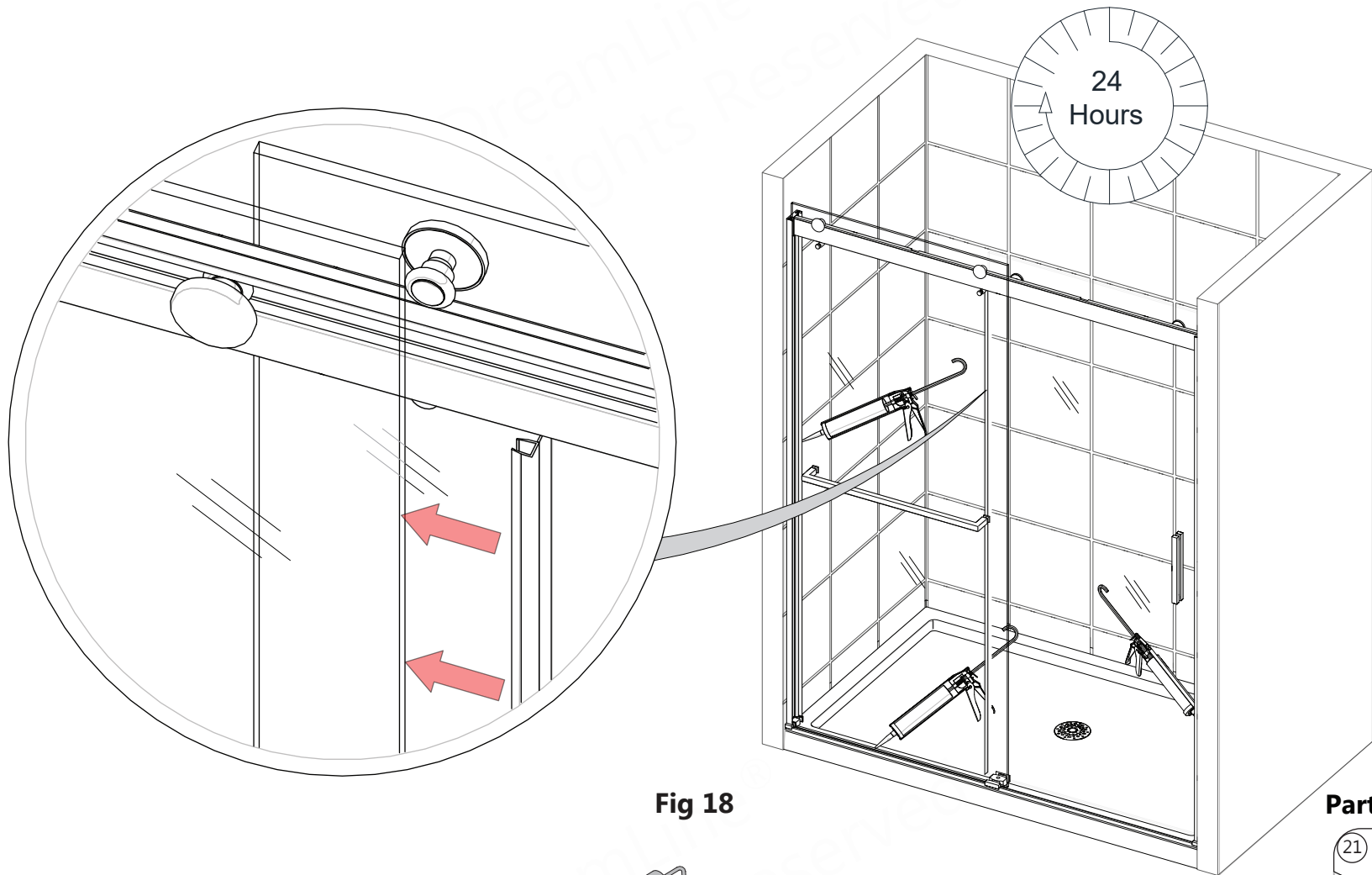
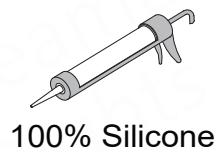
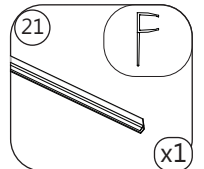


Fig 18

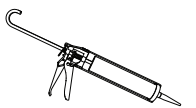


100% Silicone

Parts Needed



Tools Needed



NOTE

Clean all surfaces before applying silicone. Apply a good quality mildew-resistant silicone along the bottom rail and wall profiles where they meet the walls and threshold. Allow the silicone to cure for 24 hours before using the shower. **Fig 18**

Product Maintenance

BASES and BACKWALLS: To ensure long-lasting life for your acrylic back walls, wipe them off after each use with a soft cloth. To clean the acrylic back walls use non-abrasive sprays or cream based cleaners. Avoid the use of aerosol spray cleaners. Never use abrasive cleansers, metal brushes or scrapers that could scratch or dull the surface.

GLASS: To ensure long-lasting life for your glass shower products, wipe them off after each use with a soft cloth. Rinse and wipe off the glass using either a soft cloth or a squeegee to prevent soap buildup and water spots (Hard water can etch the surface of the glass over time if left to dry). To prevent scratching the surface: never use abrasive cleaners or cleaning products that contain scouring agents. Never use bristle brushes or abrasive sponges that may scratch the surface.

HARDWARE: To ensure a long-lasting finish, wipe off the metal parts after each use with a soft cloth. Do not use abrasive cleaners or cleaning products containing ammonia, bleach or acid. If accidentally used, rinse the surface as soon as possible to prevent damage to the finish (peeling or corrosion). After cleaning the polished finishes, rinse thoroughly and wipe dry with a soft cloth. Clean stainless steel surfaces at least once a week. When applying stainless steel cleaner or polish to stainless steel hardware, work with (not across) the grain. Never use an abrasive sponge or cloth, steel wool or wired brush as these may permanently scratch the surfaces.

To maximize the life of your door, it is important to regularly inspect the glass and all hardware for misalignment, proper attachment, and/or damage. Contact DreamLine® with any questions or concerns.

DreamLine® shower doors and enclosures are designed not to leak when installed properly and the flow of water is not pointed directly at the vinyl seals.

SAPPHIRE-V Maintenance checklist

- Inspect the **Guide rail**
- Inspect the **Guide rail brackets**
- Inspect the **Guide block** -square to the threshold and glass
- Proper clearance** beneath the door glass between the threshold and within the guide block
- Door Glass** adjusted so that the glass makes even contact into the wall profile and into the SafeClose™ Bumpers
- Inspect the **SafeClose™ bumpers**
- Inspect the **Wheel assemblies**
- Inspect the **Roller guards** - positioned within 1/16" beneath the guide rail and tight
- Inspect the **Towel Bars** -tighten if loose
- Inspect the **edges of the door glass** for concealed damage. **Damaged glass must be replaced!**
- Inspect **vinyl seals**- replace if damaged or missing

Factory Parts Information

SAPPHIRE-V SHOWER DOOR 48"x76" (SDVH48W760)			FACTORY PARTS INFORMATION	
Item #	Factory Part #	Material Description	Item Specification	Qty
01	042830 X 1-1203	Top Guide Rail	LC283/Chrome/1203mm	1
02	0702 X 106	Guide Rail Bracket	67.4X24.3X13/stainless steel/ Polished	2
03	0702 X 107	Roller Guard	ϕ 15/ stainless steel/ Polished	2
04	0735 X 022	Roller Assembly	ϕ 27.2/ plastic/chrome	4
05	0722 X 036	Towel Bar Assembly	485X75X20mm465MM/ stainless steel/ Polished	1
06	042223 X 1-1854	Wall Profile	LC222/Chrome/1854mm	2
07	063064000-1851	Bulb Vinyl Insert	1851mm/Clear/For 6mm Glass	4
08	041690 X 1-1219	Bottom Guide Rail	LC169/Chrome/1214mm	1
09	0755 X 139	Wall Profile Cap	64×20×1mm/plastic/chrome	2
10	0755 X 203	Center Guide Block	50X73.5X22m/ABS/chrome	1
11	0755 X 204	Left Bumper	74.5×24×20mm/ABS/chrome	1
14	0755 X 205	Right Bumper	74.5×24×20mm/ABS/chrome	1
16	091103	Phillips pan head screw	ST4.0×20/Stainless steel	2
17	092108	Flat Head Countersunk Screw	ST4.2×40/Stainless steel	4
18	07552148	Hexagonal Anchor	Ø8mm*L37mm/ plastic/ white	4
19	0722 X 059	Handle Assembly	203mm/ stainless steel/ Polished	1

Item #	Factory Part #	Material Description	Item Specification	Qty
	GLVH48W760VXXCC	SAPPHIRE-V TUB DOOR (Glass Box)		
12	10300030	Inside Door Glass	1921X643X8 Clear,2-sided ClearMax, toughened	1
20	063024000-0559	Bottom Vinyl Seal	559mm/Clear	2
21	063004080-1787	Vertical Vinyl Seal	1787mm/Clear/For 8mm Glass/Soft Lip 18mm	1
13	010300001	Outside Door Glass	1921X643X8 Clear,1-sided ClearMax	1

Alternative Glass				
Item #	Factory Part #	Material Description	Item Specification	Qty
	GLVH48W760VXXGG	SAPPHIRE-V TUB DOOR (Glass Box)		
13	010300019	Outside Door Glass	1921X643X8 European Gray / 1-sided ClearMax	1
12	010300034	Inside Door Glass	1921X643X8 European Gray,2-sided ClearMax	1

BOLD ("**X**") indicates finish:

1 = Chrome

4 =Brushed Nickel

5=Brushed Gold

6 = Oil Rubbed Bronze

9 = Satin Black

Contact Support@DreamLine.com for Part replacement, installation assistance or additional information.

Complete **Warranty** information is available on DreamLine.com.

Factory Parts Information

SAPPHIRE-V SHOWER DOOR 54"x76" (SDVH54W760)		FACTORY PARTS INFORMATION		
Item #	Factory Part #	Material Description	Item Specification	Qty
01	042830X1-1356	Top Guide Rail	LC283/Chrome/1356mm	1
02	0702 X 106	Guide Rail Bracket	67.4X24.3X13/stainless steel/ Polished	2
03	0702 X 107	Roller Guard	Stainless steel/ Polished	2
04	0735 X 022	Roller Assembly	Plastic/chrome	4
05	0722X061	Towel Bar Assembly	570X75X20mm550MM/ stainless steel/ Chrome	1
06	042223X1-1854	Wall Profile	LC222/Chrome/1854mm	2
07	063064000-1851	Bulb Vinyl Insert	1851mm/Clear/For 6mm Glass	4
08	041690X1-1372	Bottom Guide Rail	LC169/Chrome/1366mm	1
09	0755 X 139	Wall Profile Cap	15/ stainless steel/ Polished	2
10	0755 X 203	Center Guide Block	50X73.5X22m/ABS/chrome	1
11	0755 X 204	Left Bumper	74.5×24×20mm/ABS/chrome	1
14	0755 X 205	Right Bumper	74.5×24×20mm/ABS/chrome	1
16	091103	Phillips pan head screw	ST4.0×20/Stainless steel	2
17	092108	Flat Head Countersunk Screw	ST4.2×40/Stainless steel	4
18	07552148	Hexagonal Anchor	Ø8mm*L37mm/ plastic/ white	4
19	0722 X 059	Handle Assembly	203mm/ stainless steel/ Polished	1

Item #	Factory Part #	Material Description	Item Specification	Qty
	GLVH54W760VXXCC	SAPPHIRE-V (Glass Box)		
12	010300032	Inside DoorGlass	1921X719X8 Clear,2-sided ClearMax	1
20	063024000-0635	Bottom Vinyl Seal	635mm/Clear	2
3	063004080-1787	Vertical Vinyl Seal	1787mm/Clear/For 8mm Glass/Soft Lip 18mm	1
1	010300039	Outside Door Glass	1921X719X8 Clear,1-sided ClearMax	1

Alternative Glass				
	GLVH54W760VXXGG	SAPPHIRE-V European Gray		
13	010300041	Outside Door Glass	1921X719X8 European Gray,1-sided ClearMax	1
12	010300036	Inside Door Glass	1921X719X8 European Gray,2-sided ClearMax	1

BOLD ("X") indicates finish:

1 = Chrome

4 =Brushed Nickel

5=Brushed Gold

6 = Oil Rubbed Bronze

9 = Satin Black

Contact Support@DreamLine.com for Part replacement, installation assistance or additional information.

Complete **Warranty** information is available on DreamLine.com.

Factory Parts Information

SAPPHIRE-V SHOWER DOOR 60"x76" (SDVH60W760) FACTORY PARTS INFORMATION				
Item #	Factory Part #	Material Description	Item Specification	Qty
01	042830 X 1-1508	Top Guide Rail	LC283/Chrome/1508mm	1
02	0702 X 106	Guide Rail Bracket	67.4X24.3X13/stainless steel/ Polished	2
03	0702 X 107	Roller Guard	Stainless steel/ Polished	2
04	0735 X 022	Roller Assembly	Plastic/chrome	4
05	0722 X 035	Towel Bar Assembly	650X75X20mm 630MM/ stainless steel/ Polished	1
06	042223 X 1-1854	Wall Profile	LC222/Chrome/1854mm	2
07	063064000-1851	Bulb Vinyl Insert	1851mm/Clear/For 6mm Glass	4
08	041690 X 1-1524	Bottom Guide Rail	LC169/Chrome/1516mm	1
09	0755 X 139	Wall Profile Cap	64×20×1mm/plastic/chrome	2
10	0755 X 203	Center Guide Block	50X73.5X22m/ABS/chrome	1
11	0755 X 204	Left Bumper	74.5×24×20mm/ABS/chrome	1
14	0755 X 205	Right Bumper	74.5×24×20mm/ABS/chrome	1
16	091103	Phillips pan head screw	ST4.0×20/Stainless steel	2
17	092108	Flat Head Countersunk Screw	ST4.2×40/Stainless steel	4
18	07552148	Hexagonal Anchor	Ø8mm*L37mm/ plastic/ white	4
19	0722 X 059	Handle Assembly	203mm/ stainless steel/ Polished	1
Item #	Factory Part #	Material Description	Item Specification	Qty
	GLVH60W760VXXCC	SAPPHIRE-V Glass Box		
12	010300033	Inside DoorGlass	1921X795X8 Clear,2-sided ClearMax	1
20	063024000-0711	Bottom Vinyl Seal	711mm/Clear	2
3	063004080-1787	Vertical Vinyl Seal	1787mm/Clear/For 8mm Glass/Soft Lip 18mm	1
1	010300003	Outside Door Glass	1921X795X8 Clear,1-sided ClearMax	1
Alternative Glass				
	GLVH60W760VXXGG	SAPPHIRE-V European Gray		
13	010300021	Outside Door Glass	1921X795X8 European Gray / 1-sided ClearMax	1
12	010300037	Inside Door Glass	1921X795X8 European Gray,2-sided ClearMax	1

BOLD ("X") indicates finish:

1 = Chrome

4 =Brushed Nickel

5=Brushed Gold

6 = Oil Rubbed Bronze

9 = Satin Black

Contact Support@DreamLine.com for Part replacement, installation assistance or additional information.

Complete **Warranty** information is available on DreamLine.com.

Factory Parts Information

SAPPHIRE-V TUB DOOR 60"x62" (TDVH60W620)		FACTORY PARTS INFORMATION		
Item #	Factory Part #	Material Description	Item Specification	Qty
01	042830 X 1-1508	Top Guide Rail	LC283/Chrome/1508mm	1
02	0702 X 106	Guide Rail Bracket	67.4X24.3X13/stainless steel/ Polished	2
03	0702 X 107	Roller Guard	ϕ 15/ stainless steel/ Polished	2
04	0735 X 022	Roller Assembly	ϕ 27.2/ plastic/chrome	4
05	0722 X 035	Towel Bar Assembly	650X75X20mm 630MM/ stainless steel/ Polished	1
06	042223 X 1-1500	Wall Profile	LC222/Chrome/1500mm	2
07	063064000-1496	Bulb Vinyl Insert	1496mm/Clear/For 6mm Glass	4
08	041690 X 1-1524	Bottom Guide Rail	LC169/Chrome/1516mm	1
09	0755 X 139	Wall Profile Cap	64×20×1mm/plastic/chrome	2
10	0755 X 203	Guide Block	50X73.5X22m/ABS/chrome	1
11	0755 X 204	Left Bumper	74.5×24×20mm/ABS/chrome	1
14	0755 X 205	Right Bumper	74.5×24×20mm/ABS/chrome	1
16	091103	Philip pan head screw	ST4.0×20/Stainless steel	2
17	092108	Flat Head Countersunk Screw	ST4.2×40/Stainless steel	4
18	07552148	Hexagonal Anchor	Ø8mm*L37mm/ plastic/ white	3
19	0722 X 059	Handle Assembly	203mm/ stainless steel/ Polished	1

Item #	Factory Part #	Material Description	Item Specification	Qty
	GLVH60W620VXXCC	SAPPHIRE-V TUB DOOR (Glass Box)		
12	010300031	Inside Door Glass	1566X775X8 Clear,2-sided ClearMax	1
20	063024000-0711	Bottom Vinyl Seal	711mm/Clear	2
21	063004080-1432	Vertical Vinyl Seal	1432mm/Clear/For 8mm Glass/Soft Lip 18mm	1
13	010300038	Outside Door Glass	1566X775X8 Clear,1-sided ClearMax	1

Alternative Glass				
Item #	Factory Part #	Material Description	Item Specification	Qty
	GLVH60W620VXXGG	SAPPHIRE-V TUB DOOR (Glass Box)		
13	010300040	SAPPHIRE VH Outside Door Panel	1566X775X8 European Gray,1-sided ClearMax	1
12	010300035	SAPPHIRE VH Inside Door Panel	1566X775X8 European Gray,2-sided ClearMax	1

BOLD ("**X**") indicates finish:

- 1 = Chrome**
- 4 =Brushed Nickel**
- 5=Brushed Gold**
- 6 = Oil Rubbed Bronze**
- 9 = Satin Black**

Contact Support@DreamLine.com for Part replacement, installation assistance or additional information.
Complete **Warranty** information is available on DreamLine.com.

Troubleshooting

Problem/Symptom	Suggested Solution	Pages
Missing Parts	<ul style="list-style-type: none"> •Check all shipping/packaging material for missing parts/components. •If not found, contact DreamLine Customer Support [1-866-731-2244] to order factory part replacement. 	6-7
Water Leakage	<ul style="list-style-type: none"> •Check that both doors enter the SafeClose™ Bumpers and meet the Bulb Vinyl Inserts in the Wall Profiles. •Check that the Bulb Vinyl Inserts are installed properly. •Check that the Bottom Vinyl Seals are correctly installed against the Bottom Guide Rail. 	14-17
Doors rubbing on threshold	<ul style="list-style-type: none"> •Check that the threshold is level. •Check that the Top Guide Rail and the Guide Rail Brackets are secure. •Check that the Roller Wheels are tight and secure. •Carefully remove the Door Glass with a helper and adjust Roller Wheels if necessary (See adjustment instructions on Page 26) 	3, 17, 20
Doors not tracking smoothly through Center Guide Block.	<ul style="list-style-type: none"> •Check that the Center Guide Block is installed correctly (square to the Bottom Guide Rail) and is secured firmly to the threshold. •Check that the Wall Profiles are plumb and secure. 	13-17
Handle or Towel Bar Loose	<ul style="list-style-type: none"> •Remove screw caps, tighten all screws with an Allen Wrench, and tighten the screws. Be sure gaskets are present between metal and glass. 	24
Door Glass binds against Bottom Vinyl Seals	<ul style="list-style-type: none"> •Check that the Bottom Guide Rail is even with the outside edge of the threshold or tub deck across the span of the opening. •Check that the Wall Profiles are plumb and secured to the walls. 	11, 13-17



Prior to contacting DreamLine® Customer Service, please have the following information readily available:

- Purchase Order Information
 - Name, PO Number, Dealer/Vendor Name, etc.
- SKU/Model Number

NOTES

© DreamLine®
All Rights Reserved

© DreamLine®
All Rights Reserved

NOTES

© DreamLine®
All Rights Reserved

© DreamLine®
All Rights Reserved



TEL: 866-731-2244
FAX: 866-857-3638
DREAMLINE.COM

For more information on DreamLine® Shower Doors and Enclosures please visit **DreamLine.com**