

ECOPOWER® High-Efficiency Urinal Flush Valve 0.5 GPF

FEATURES

- 0.5 GPF
- Self-powered hydroelectric flush valve system
- No minimum daily usage requirement
- Durable chrome plated body with tamper-proof screws and solid bronze valve body
- Self-cleaning piston valve with 360° filter screen
- Neutral rough-in and adjustable tail piece connection
- True mechanical flush override
- Smart sensor with self-adjusting detection range
- 6-second detection time to prevent ghost flushing
- ADA compliant

MODELS

- TEU1LA12#CP
 - TEU1LAR#CP (0.5 GPF flush valve)
 - VB0912#CP (3/4" vacuum breaker tube, 3/4" angle stop)
- TEU1LA22#CP
 - TEU1LAR#CP (0.5 GPF flush valve)
 - VB0922#CP (1-1/4" vacuum breaker tube, 3/4" angle stop)

COLORS/FINISHES

- #CP Polished Chrome

OPTIONAL ACCESSORIES

- Z-4000-J - Adapter for ground joint angle stops

CODES/STANDARDS

- Meets or exceeds ASSE 1037, CSA B125.3
- Certifications: IAPMO(cUPC), EPA WaterSense, ASSE, State of Massachusetts, and others
- Code Compliance: UPC, IPC, NSPC, NPC Canada, and others
- Legislative Compliance: California AB715, California Green Building Code and others
- ADA compliant
- Complies with CA Prop 65 warning requirements



Piston Valve

PRODUCT SPECIFICATION

TOTO® Model No. _____
 Product shall be 0.5 GPF. Product shall be an automatic infrared sensor-activated, urinal flush valve. Product shall use hydropower, ECOPOWER flush valve system. Product shall have durable chrome plated body with tamper-proof screws and solid bronze valve body. Product shall have neutral rough-in and adjustable tail piece connection. Product shall have smart sensor with self-adjusting detection range. Product shall have true mechanical flush override. Product shall have 6-second detection time to prevent ghost flushing. Product shall have piston with debris screen and solenoid with self-cleaning mechanism. Product shall be ADA compliant.

TEU1LA Series

ECOPOWER® High-Efficiency Urinal Flush Valve, 0.5 GPF

SPECIFICATIONS

- Material: Bronze casting
- Power supply: ECOPOWER
- Sensor detection time: Factory setting at six (6) seconds minimum
- Sensor detection range: Self-adjusting to environment
- Discharge quantity: Preset to 0.5GPF
- Operating temperature: 32°-104°F (0°-40°C)
- Water supply pressure: 15 psi - 125 psi*
- Water supply connection: 3/4" NPT
- Warranty: Three year limited

*Water pressures over 80 psi are not recommended for most plumbing fixtures. Check your local plumbing code for details.

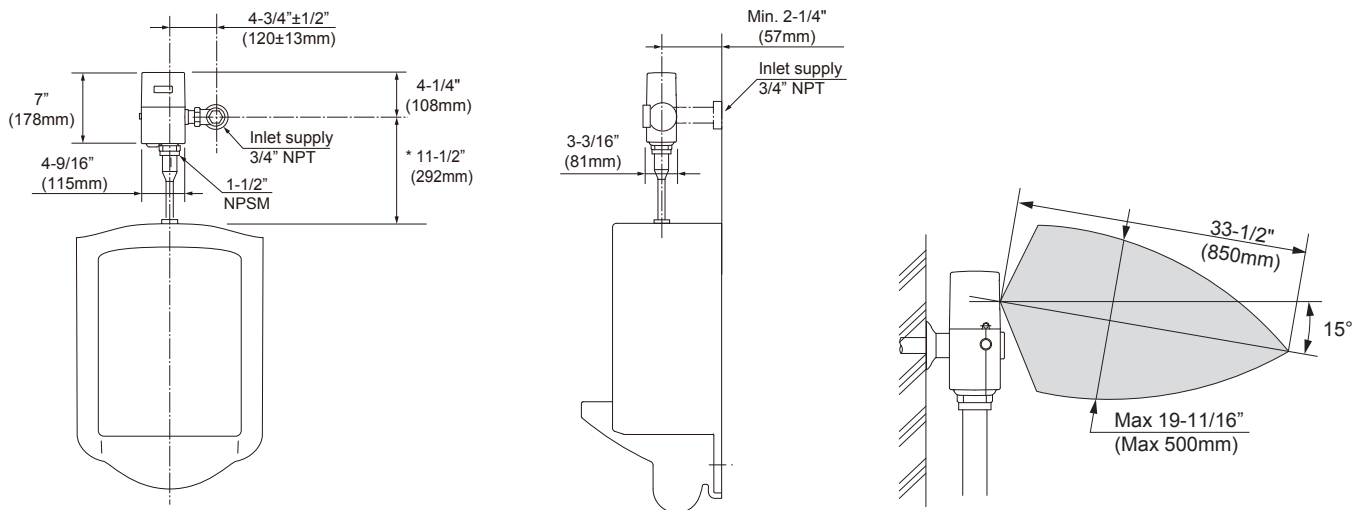
INSTALLATION NOTES

For commercial applications only.
For other installations please consult with your sales representatives or TOTO Technical Support.
For detailed installation instructions, please refer to the installation manual.

Max flow rate to be used with TEU1LA_____ : 0.5 GPF

Confirm with local codes and standards for floor drain requirement. Adjust control stop for proper flow rate to the fixture.

DIAGRAM



* Check local codes

TOTO®

These dimensions and specifications are subject to change without notice