

ECOPOWER® Ultra High-Efficiency Urinal Flush Valve 0.125 GPF

FEATURES

- 0.125 GPF
- Self-powered hydroelectric flush valve system
- No minimum daily usage requirement
- 4" x 4" brushed stainless steel cover plate with solid bronze valve body
- Neutral rough-in and adjustable tail piece connection
- Manual flush override
- Smart sensor with self-adjusting detection range
- 6-second detection time to prevent ghost flushing
- ADA compliant

MODELS

- TEU3UA11#SS
 - TEU3UAR#SS (0.125 GPF flush valve)
 - VB1311R#RB (3/4" vacuum breaker tube, 3/4" angle stop, back spud)
- TEU3UA12#SS
 - TEU3UAR#SS (0.125 GPF flush valve)
 - VB0912R#RB (3/4" vacuum breaker tube, 3/4" angle stop, top spud)

COLORS/FINISHES

- #SS Stainless Steel

OPTIONAL ACCESSORIES

- Z-4000-J - Adapter for ground joint angle stops

CODES/STANDARDS

- Meets or exceeds ASSE 1037, CSA B125.3
- Certifications: IAPMO(cUPC), EPA WaterSense, ASSE, State of Massachusetts, and others
- Code Compliance: UPC, IPC, NSPC, NPC Canada, and others
- Complies with CA Title 20 regulations and CalGreen when used with a 0.125 GPF wall mount urinal
- ADA compliant
- Complies with CA Prop 65 warning requirements



CALGreen



PRODUCT SPECIFICATION

TOTO® Model No. _____
Product shall be 0.125 GPF. Product shall be an automatic infrared sensor-activated, urinal flush valve. Product shall use hydropower, ECOPOWER flush valve system. Product shall have 4" x 4" cover plate with brushed stainless steel finish. Product shall have adjustable tail piece connection. Product shall have neutral rough. Product shall have smart sensor with self-adjusting detection range. Product shall have manual flush override. Product shall have 6-second detection time to prevent ghost flushing. Product shall have solenoid with self-cleaning mechanism. Product shall be ADA compliant.

TEU3UA

ECOPOWER® Ultra High-Efficiency Urinal Flush Valve 0.125 GPF

SPECIFICATIONS

- Material: Bronze casting
- Power supply: ECOPOWER
- Sensor detection time: Factory setting at six (6) seconds minimum
- Sensor detection range: Self-adjusting to environment
- Discharge quantity: Preset to 0.125 GPF/ 0.47 LPF
- Operating temperature: 32°-104°F (0°-40°C)
- Water supply pressure: 15 psi - 125 psi*
- Water supply connection: 3/4" NPT
- Warranty: Three year limited

*Water pressures over 80 psi are not recommended for most plumbing fixtures. Check your local plumbing code for details.

INSTALLATION NOTES

For commercial applications only.
Warning: Failure to properly adjust angle stop to the appropriate level can potentially cause property damage.

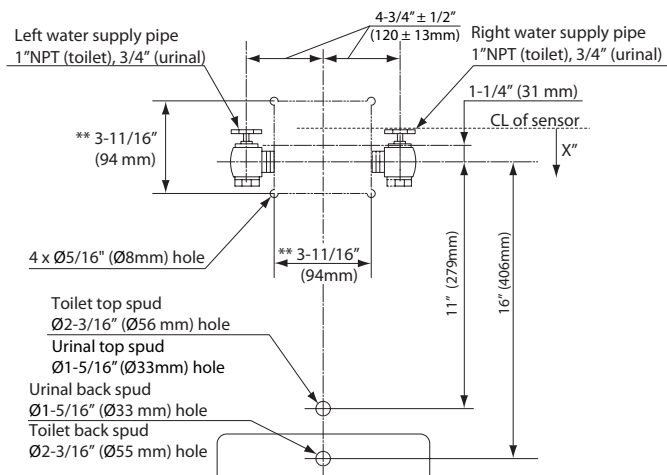
For detailed installation instructions, please refer to the installation manual.

Max flow rate to be used with TEU3UA _____: 0.125 GPF

Confirm with local codes and standards for floor drain requirement. Adjust control stop for proper flow rate to the fixture.

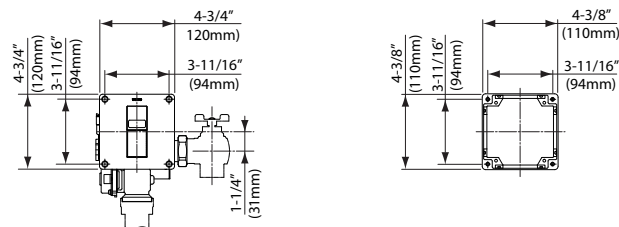
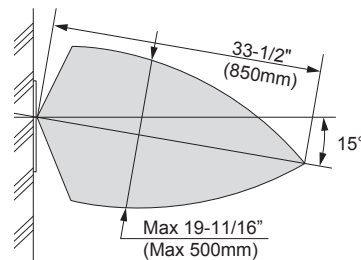
The recommended installation for the flush valve is to have a 7" (178mm) minimum space in wall with a minimum 12" x 12" access panel or walk-in chase (for service and maintenance purposes). Do not place grab bars in front of sensor for ADA stalls.

DIAGRAM



* X", ‡ = At least 5" clearance from sensor to tip of toilet seat up position or to top of grab bar is required to avoid false detection.

** Opening in wall



TOTO

These dimensions and specifications are subject to change without notice