

Aquia IV Cube® WASHLET®+ C2 Two-Piece Toilet - 1.28 & 0.9 GPF

FEATURES

- Concealed supply connection for seamless installation
- DYNAMAX TORNADO FLUSH® utilizes 360° cleaning power to reach every part of the bowl
- Ultra high-efficiency dual flush 1.28 & 0.9 GPF (4.8 & 3.4 LPF)
- CEFIONTECT® ceramic glaze minimizes waste from sticking to porous ceramic surfaces
- Completely skirted design for a sleek and understated look that's easier to clean
- UNIVERSAL HEIGHT
- Chrome plated trip lever
- 12" Rough-in
- Elongated front bowl and WASHLET+ C2 and tank set
- EWATER+® auto-cleans wand
- On-demand remote function cleans wand with EWATER+
- PREMIST® of bowl before each use
- Convenient arm control panel



MODELS

- **MW4363074CEMFGN (#01)**
With CEFIONTECT ceramic glaze, WASHLET+ C2
- **CT446CEFGNT40**
Elongated bowl with CEFIONTECT
- **ST436EMNA**
Tank and cover only
- **SW3074T40**
WASHLET+ C2
- **9AU321-A**

OPTIONAL COMPONENTS

- **TSU08W.10**
10" Unifit Rough-In
- **TSU08W.14**
14" Unifit Rough-In

COLORS/FINISHES

- #01 Cotton

-  **DYNAMAX TORNADO FLUSH**
-  **UNIVERSAL HEIGHT**
-  **CEFIONTECT**
-  **EWATER+**

PRODUCT SPECIFICATION

The two-piece, ultra high-efficiency, DYNAMAX TORNADO FLUSH toilet shall be dual flush 1.28 GPF/0.9 GPF. Toilet shall be coated with CEFIONTECT, elongated front bowl, high profile tank, UNIVERSAL HEIGHT, complete skirted bowl and chrome trip lever. Toilet shall be TOTO Model MW4363074CEMFGN#01.

CODES/STANDARDS

- Meets and exceeds ASME A112.19.2/CSA B45.1, ASME A112.19.14
- Certifications: IAPMO(cUPC®), EPA WaterSense, State of Massachusetts and others
- Code Compliance: UPC, IPC, NSPC, NPC Canada, and others
- Legislative Compliance: California Green Building Code, City of Los Angeles Water Efficiency Ordinance, and others
- Complies with CA Prop 65 warning requirements
- ADA compliant when installed with trip lever on the approach side



MW4363074CEMFGN

Aquia IV Cube® WASHLET®+ C2 Two-Piece Toilet - 1.28 & 0.9 GPF

SPECIFICATIONS

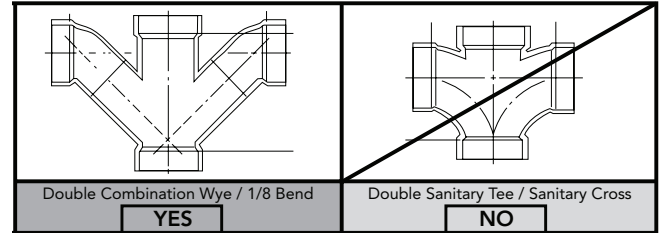
Water Use	1.28 & 0.9 GPF (4.8 & 3.4 LPF)
Flush System	DYNAMAX TORNADO FLUSH®
Min. Water Pressure	8 psi (Flowing)
Water Surface	7" x 5"
Trap Diameter	2-1/4"
Rough-in	12" (10" and 14" options available)
Trap Seal	2-1/8"
Warranty	One Year Limited Warranty
Material	Vitreous China
Shipping Weight	CT446CEFGNT40 83 lbs. ST436EMNA 29 lbs.
Shipping Dimensions	CT446CEFGNT40 29-5/8" L x 16-3/8" W x 19-3/4" H ST436EMNA 17-1/4" L x 7-1/8" W x 15-1/4" H

See SW3074T40 Specification Sheet for details on included WASHLET.

INSTALLATION NOTES

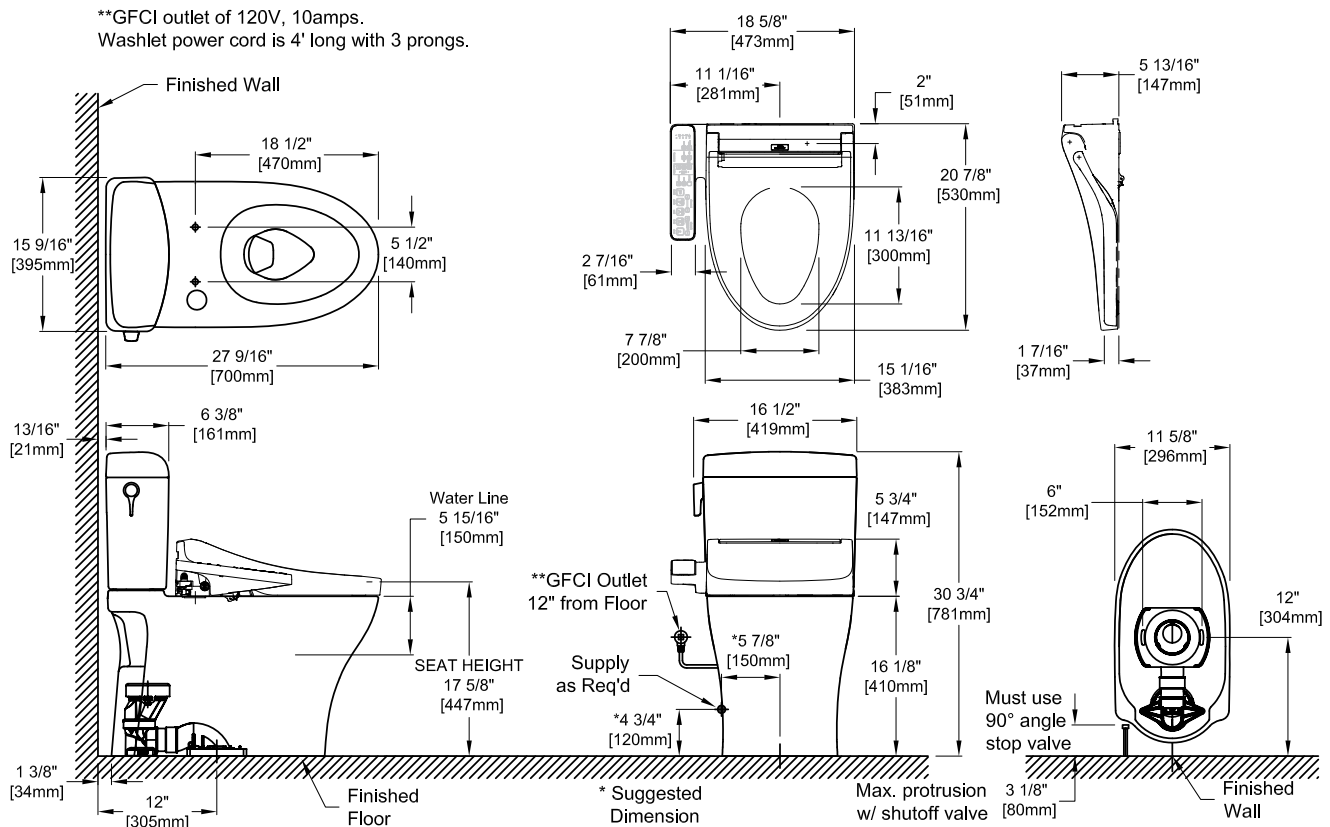
Back-to-Back Toilet Installations:

TOTO recommends the use of a nationally listed, double sanitary tee-wye only, in vertical waste stacks, in accordance with the stipulations noted in the majority of nationally recognized plumbing codes.



To maintain adequate wall gap between the back of the tank and wall, mount the floor flange at a nominal 12" rough-in distance.

DIMENSIONS



These dimensions and specifications are subject to change without notice