

Commercial Flushometer Top Spud Wall-Hung Toilet for Reclaimed Water – 1.0/1.28 GPF

FEATURES

- TORNADO FLUSH® is a sustainable, high-performance system that effectively removes waste, utilizing 360° of cleaning power to scour the bowl and rim.
- Wall-mounted
- Elongated front bowl
- Optional CEFIONTECT® ceramic glaze minimizes waste from sticking to porous ceramic surfaces
- Clear glazed trapway coating
- Designed for reclaimed water use
- Maximum static load rating of 1000 lbs when used with appropriate wall carrier

MODELS

- **CT728CUX**
Commercial wall-mounted toilet with 1-1/2" top spud inlet, less seat
- **CT728CUGX**
Commercial wall-mounted toilet with 1-1/2" top spud inlet, less seat with CEFIONTECT



ADDITIONAL ITEMS

- SC534 seat
- SC134 seat
- THU111 Retro-fit mounting bolt cap set (4 pcs)

ECOPOWER®	
Exposed	
*TET1UBX32#CP	1.0 GPF
◆TET1UAX32#CP	
*TET1LBX32#CP	1.28 GPF
◆TET1LAX32#CP	

*WaterSense Listed

◆Limited Inventory

COLORS/FINISHES

- #01 Cotton

 TORNADO FLUSH  CEFIONTECT

PRODUCT SPECIFICATION

The wall-mounted, low consumption siphon jet flushing toilet shall be 1.0 or 1.28 GPF (3.8 or 4.8 LPF) when paired with a flush valve of corresponding flush volume. Toilet shall have optional CEFIONTECT ceramic glaze. Toilet can be mounted at ADA height. Toilet shall be TOTO Model CT728CU(G)X_____.

CODES/STANDARDS

- Meets and exceeds ASME A112.19.2/CSA B45.1
- Certifications: IAPMO(cUPC), State of Massachusetts, City of Los Angeles, and others
- Code compliance: UPC, IPC, NSPC, NPC Canada, and others
- ADA compliant
- Complies with CA Prop 65 warning requirements
- To complete a WaterSense listed combination, the bowl must be paired with a flush valve which is EPA WaterSense listed



CT728CU(G)X

Commercial Flushometer Top Spud Wall-Hung Toilet for Reclaimed Water – 1.0/1.28 GPF

SPECIFICATIONS

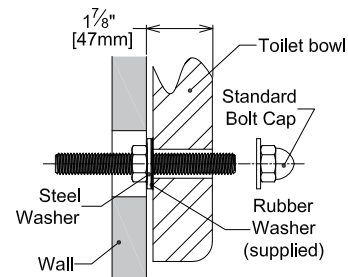
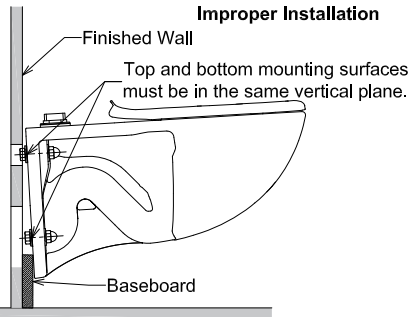
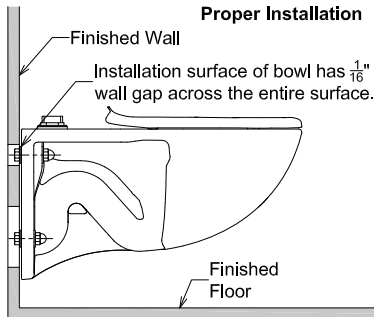
Water Use	1.0/1.28 GPF (3.8/4.8 LPF)
Flush System	Siphon Jet Flushing Action
Water Surface	9-1/4" x 7"
Water Pressure	Min: 25 psi (Flowing) Max: 80 psi (Static)
Min. Flow Rate	24 GPM
Trap Diameter	2-1/8"
Trap Seal	2-1/8"
Material	Vitreous China
Warranty	One Year Limited Warranty
Shipping Weight	57 lbs.
Shipping Dimensions	16-1/2" L x 14-3/4" W x 27" H

INSTALLATION NOTES

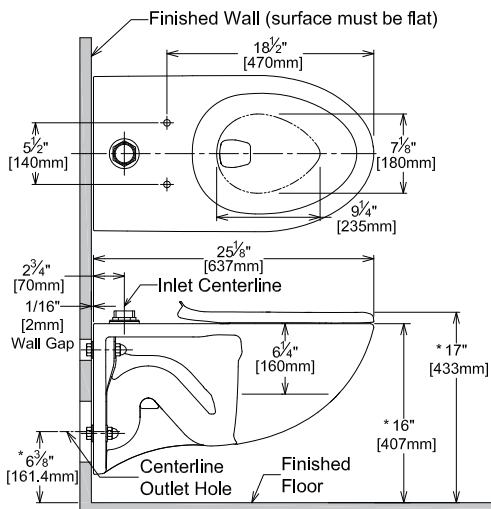
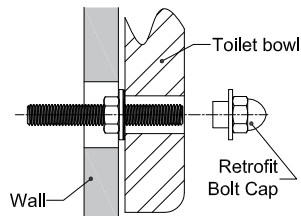
RECLAIMED WATER QUALITY PARAMETERS	
Chloride Ion Concentration	< 600mg/L
pH	5.8-8.6
Free Carbonate	< 50mg/L
Langelier's Index	> -3.00
Nitrate Ion Concentration	< 60mg/L
Conductivity	< 250mS/m
Sulfate Ion Concentration	< 100mg/L
Residual Chlorine Concentration	< 2mg/L
Hydrogen Sulfide Gas	None Existence
Suspended Solids	< 5mg/L

Spuds are unique for TOTO product. For replacement spuds, contact TOTO for part number THU073RX. Can be used with exposed or concealed top inlet flush valves. TOTO Reclaimed Water flush valves are designed to perform best when used with TOTO Reclaimed Water urinals/toilets and components. Although TOTO Reclaimed Water products may be used in combination with other reclaimed water product brands, optimal performance might be impaired and attempted use with any non-compliant reclaimed water product(s) could result in corrosion, leakage or void the warranty.

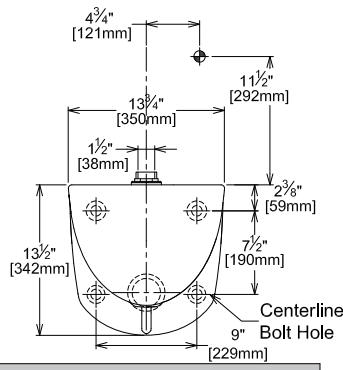
DIMENSIONS



Note: If carrier bolt doesn't extend/or is flush with china, use retrofit bolt caps THU111 (sold separately)



*Suggested Dimensions



TOTO

These dimensions and specifications are subject to change without notice