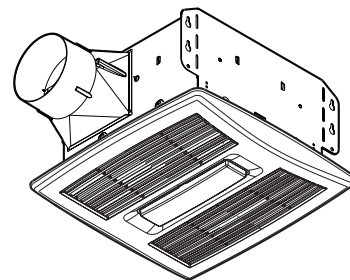


# MODELS AE80BL, AE110L

## FLEX™ SERIES

### FAN / LIGHTS



#### DESCRIPTION

##### BLOWER:

- Plug-in, permanently lubricated motor - engineered for continuous operation
- Dynamically balanced centrifugal blower wheel for quiet, efficient performance
- Low RPM for quiet operation

##### HOUSING:

- Rugged, 26 gauge, galvanized steel construction
- Polymeric, 4" duct connector with tapered sleeve and no metallic clatter
- 5-3/4" height allows for 2" x 6" ceiling installations
- Sturdy, easy, four-point mounting directly to joist
- Can be mounted in ceilings up to 7/12 pitch

##### GRILLE:

- Polymeric construction
- Innovative design - the result of extensive research with designers and consumers
- 11-Watt integrated LED lighting for energy efficiency
- 3500K color temperature provides soft white light - ideal for bathroom illumination
- LED lasts up to 25,000 hours for maintenance-free convenience

##### CONTROLS (Purchase separately):

- Refer to Broan's catalog for a complete line of accessories to effectively adapt these fans to your construction requirements

##### DIMMING CONTROLS:

- May not be compatible with all dimmer controls
- Each application is unique and various factors such as load, common neutrals or other electrical products on the circuit can, in certain instances, cause variance in system performance

- Dimmer model numbers vary slightly depending on color, packaging type, etc. such that variations of Model numbers may be suitable. Consult dimming system manufacturer for additional support in operation

\* For a list of compatible controls, see broan.com

U.L. Listed for use over bathtubs and showers when connected to a GFCI protected branch circuit (ceiling mount only)

U.L. Listed for use in insulated ceilings (TYPE I.C.)

3-Year Warranty

#### TYPICAL SPECIFICATION

Fan / Light shall be Broan Model AE80BL, (AE110L).

Fan / Light shall have corrosion resistant galvanized steel housing with four-point mounting capability. It shall be ducted to a roof or wall cap using 4" round ductwork.

Blower assembly shall be removable, have a centrifugal-type blower wheel and a permanently lubricated motor designed for continuous operation.

Non-metallic damper/duct connector shall be included.

LED module shall be 11-Watt with 3500K color temperature and 800 lumen output (min.).

Air delivery shall be no less than the airflow values and no greater than the sound level values listed in the HVI Performance Specifications provided in this specification (see following chart). All air and sound ratings shall be certified by HVI.

Ceiling Ventilator shall be U.L. Listed for use in insulated ceilings (Type I.C.) and for use over bathtubs and showers when connected to a GFCI protected branch circuit.



JA8-2019

Broan Hartford, Wisconsin www.broan.com 800-558-1711

REFERENCE	QTY.	REMARKS	Project
			Location
			Architect
			Engineer
			Contractor
			Submitted by
			Date

# PERFORMANCE RATINGS

## FLEX™ SERIES FAN / LIGHTS

### HVI PERFORMANCE

Model	0.1 Ps - Static Pressure (in. H <sub>2</sub> O)				0.25 Ps
	Airflow (CFM)	Sound (Sones)	Power (Watts)	Efficacy (CFM / W)	Airflow (CFM)
AE80BL	80	1.2	26.9	2.9	60
AE110L	110	1.0	23.4	4.7	92

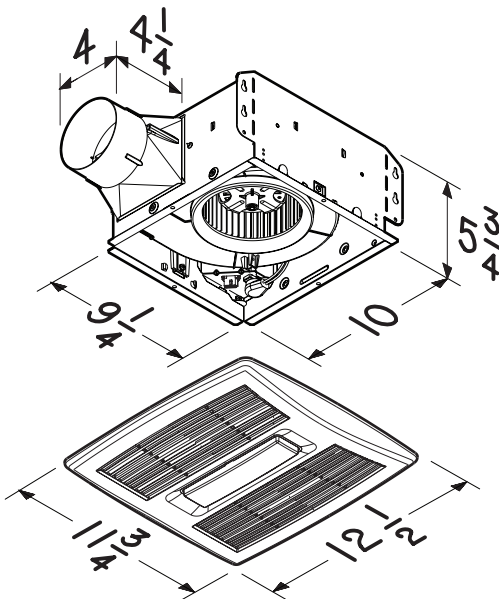


HVI-2100 CERTIFIED RATINGS comply with new testing technologies and procedures prescribed by the Home Ventilating Institute, for off-the-shelf products, as they are available to consumers. Product performance is rated at 0.1 in. static pressure, based on tests conducted in a state-of-the-art test laboratory. Sones are a measure of humanly-perceived loudness, based on laboratory measurements.

### ELECTRICAL & WEIGHT

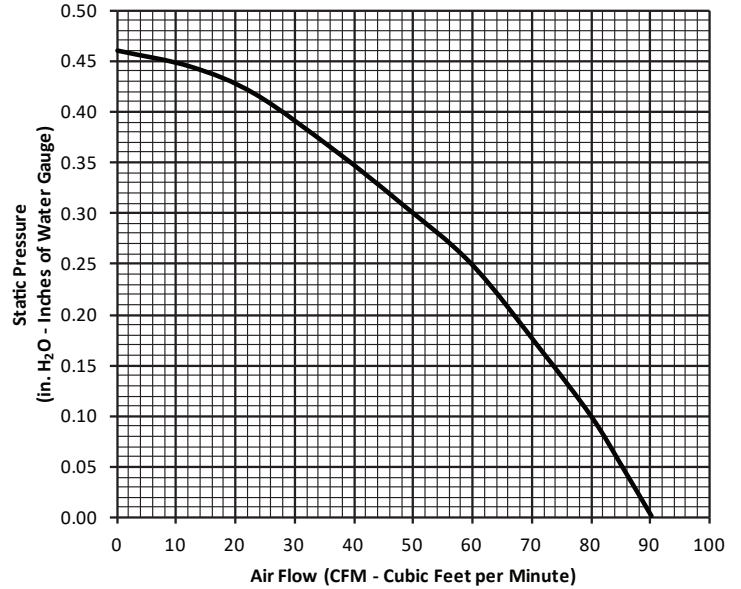
Model	Volts	Hz	Amps*	Shipping Weight
AE80BL	120	60	0.5	10.0 lb.
AE110L	120	60	0.5	10.0 lb.

\* Total connected load.



### AIR FLOW PERFORMANCE

Model AE80BL



Model AE110L

