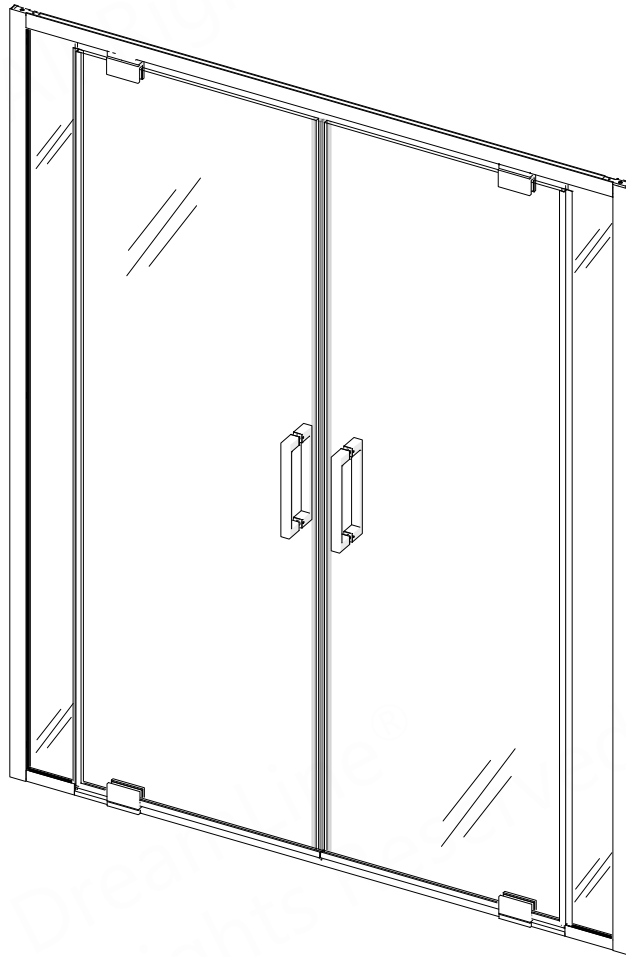




TERRACE

SHOWER DOOR INSTALLATION INSTRUCTIONS

PLEASE REVIEW THIS ENTIRE MANUAL PRIOR TO INSTALLATION



Model #s
SDTR58W720

IMPORTANT!

DreamLine® reserves the right to alter, modify or redesign products at any time without prior notice for the purpose of product improvement and customer experience. Please refer to the model's web page on **DreamLine.com** for the latest technical drawings, installation manuals, warranty information or additional product details.

Do Not Return Product to the Store. Contact DreamLine® with any questions



Questions?

Please Call **DreamLine Customer Support: 1-866-731-2244**
Hours of Operation M-F 8AM - 6PM EST

Support@DreamLine.com





This model is treated with DreamLine’s exclusive ClearMax™ Glass technology. This is a specially formulated coating that prevents the build up of soap and water spots.

Install the surface with the ClearMax™ label towards the inside of the shower. Please note that depending on the model, the glass may be coated on either one or both surfaces.

For best results, squeegee the glass after each use and dry with a soft cloth.

Record the following purchase information for your records or in the event you need to contact DreamLine®:

Purchase Order Number _____

Store/Vendor Purchased From _____

Installation Date _____

OD Number (optional) _____
*found on the shipping box or label if available.

Installed By: _____

SKU Number _____

Table of Contents

| Section Title | Page # |
|--|--------|
| ClearMax® Coating Information | — |
| Warnings and General Preparation | 4 |
| Model Specific Preparation | 5 |
| Tools | 6 |
| Adjustable Wall Profile System | 7 |
| Detailed Diagram of Shower/Tub Door Components | 8 |
| Parts List | 9-10 |
| Installation Steps | 11-31 |
| Inline Panel Installation | 21 |
| 180° Strike Vinyl Installation | 24 |
| Door Glass Installation | 25-27 |
| Back-to-Back Handle Installation | 28 |
| Bottom Sweep Vinyl Installation | 29 |
| Decorative Cover Installation | 30 |
| Product Maintenance | 32 |
| Troubleshooting | 33 |
| Factory Parts Information | 34 |

Symbol Legend



TIP - for ease of installation.



CORRECT - recommended.



NOTE - take note of special feature; additional information.

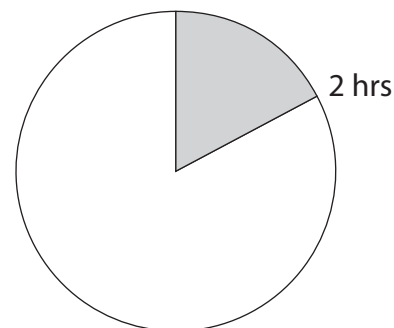


INCORRECT - not recommended.



REQUIRED - requires special attention; signifies a warning.

Average Installation Time





IMPORTANT

- DreamLine® reserves the right to alter, modify or redesign products any time without prior notice for product improvement and customer experience. Please refer to the model's web page on DreamLine.com for the latest technical drawings, installation manuals, warranty information or additional product details.
- This product should be installed by someone familiar with the construction requirements for this type of project and the care necessary for the safe installation and operation of the product.
- The safety of any installation is the responsibility of the installer.
- Professional installation recommended. (*All Models*)
- Professional installation required. (*Enigma Series*)
- To prevent damage or serious injury, Do Not lean against the installed panel/door/glass.
- To prevent damage or serious injury: Do Not attempt to lift or move a heavy lite of glass alone. Use an assistant and/or a professional grade glass suction cup.
- The installation of some models may require drilling down into the threshold. Contact the manufacturer of the base, tub, or threshold material with any questions regarding the drilling of holes into their product.
- All drawings in this installation manual are for illustrative purposes only and are not drawn to scale.

TEMPERED GLASS WARNING

- Your Shower Door Glass Could Shatter Without Warning if Improperly Installed or Mishandled
- Do Not install or operate a shower door if the glass has chipped corners, slivered edges or is otherwise damaged and/or has been dropped or banged into a hard surface such as tile, marble or glass.
- **The main causes of tempered glass breakage are:**
 - Improper handling, storage or installation
 - Misuse/abuse
 - Lack of maintenance
 - Failure to replace damaged glass
 - **Improper handling during storage, unpacking and installation:**
 - Corners and edges are the most susceptible area to damage on a lite of tempered glass and should be protected and handled with care during storage, unpacking, installation and operation. A concentrated point of pressure or impact with a surface harder than itself may cause the tempered glass to shatter. The tempered glass may release immediately, within several hours or even days later.
 - **Incorrect installation of door hardware, rollers, hinges, channels, stopper or glass:**
 - Improper installation may include: loose hardware and/or lack of proper gaskets between the hardware and glass. Additionally, improper alignment of guide rails, wall profiles or other hardware during installation or operation may place stress on the glass edges and cause it to break.
 - This product must be installed by a professional and experienced installer familiar with the safe handling of tempered glass.
 - **Improper use of this product:**
 - Aggressively opening or closing the door may cause trauma to the glass, which can lead to breakage. This may occur immediately or hours or even days later.
 - **The shower door hardware and glass should be inspected periodically:**
 - Instruct the homeowner how to perform a periodic inspection of the shower hardware and glass - some minor adjustments may be necessary based upon the use (or misuse) of the shower door. Ensure that the hardware remains tight and that the door alignment and operation are correct. Any adjustments should be made upon discovery to prevent damage to the product.
 - Additional considerations should be given to the installation of frameless tempered glass products in households with young children or an elderly person due to an increased chance of improper handling. In such cases, alternatives such as shower curtains or grab bars should be considered.

GENERAL PREPARATION

- After opening all boxes and packages, read this introduction carefully. Check that all the items are included in the package by marking off the components on the "**Detailed Diagram of Product Components**" page. Examine all boxes and packages for shipping damage. If the unit has been damaged, has a finishing defect, or is missing parts; please contact our Customer Support department within 3 business days of the delivery date. **Please note that DreamLine® will not replace any damaged products or missing parts free of charge after 3 business days or if the product has been installed.** Please contact DreamLine® if you have any questions.
- **Please note that you should refer to your local building codes with questions on installation compliance standards. Building and plumbing codes may vary by location, and DreamLine® is not responsible for code compliance standards for your project and will not accept any returns.**
- If this unit is going to be installed in a new construction, install all the required plumbing and drainage before installing the shower. **Use a competent and licensed (if required by local code) plumber for all plumbing installation.**
- Make sure that prior to beginning the installation, the surfaces are leveled and solid and will be able to support the total weight of the unit. Also make sure the walls are at right angles. Irregular installation surface level, radius corners or improper angle of side walls will result in serious problems for your installation. Please note that some adjustments and drilling will be necessary during the installation process.
- Protect all primary surfaces of the product during installation. Never set your glass down directly onto a tile floor. Leave corner protectors in place until it is necessary to remove them. Always use a piece of wood or cardboard to protect the bottom edge and corners of the glass prior to and during installation.
- This unit must be installed upon a finished threshold and against finished walls.
- *DreamLine® shower doors are not designed to be installed into a fiberglass surround due to the radius corners and lack of a solid surface to mount the hardware.*

WARNING: TO AVOID THE RISK OF DAMAGE OR INJURY:

- **Follow all recommendations and requirements as shown in the installation instructions.**
- Perform a thorough inspection of the glass and all parts for any damage prior to installation. Any damage to tempered glass can cause breakage. **Do Not install damaged glass!**
- Do Not install or operate a shower or tub door if the glass has chipped corners, slivered edges or is otherwise damaged. Do Not install or operate a shower or tub door that has been dropped or banged into a hard surface such as tile, marble or glass.
- **CAUTION:** Contact with any hard surface can damage tempered glass and cause it to shatter.
- This product uses tempered glass. Glass cannot be cut after it has been tempered. **Do Not attempt to cut tempered glass.**
- DreamLine® Glass Shower doors, Tub doors, Inline panels, and Return panels can shatter due to improper handling or lack of maintenance. Conduct periodic inspections of glass and all parts for possible damage, missing or loose parts.
- Always wear proper safety equipment such as: safety goggles, work gloves and appropriate footwear during the installation process.
- **WARNING. Risk of leakage and/or damage.** Follow all instructions regarding the application of silicone sealant or caulk. Allow 24 hours for the sealant to cure before the initial use of the shower or tub product. Follow the silicone manufacturer's recommendations regarding the use of their product.
- **Thoroughly read these instructions before installing or using this product.**
- **Leave this manual for the end-user of the product.**



This product should be installed by someone familiar with the construction requirements for this type of product and the care necessary for the safe installation and operation of the product.



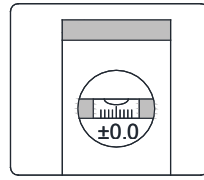
Professional Installation recommended.

Model Specific Preparation

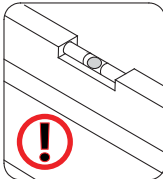
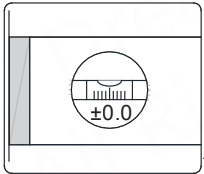


REQUIRED:

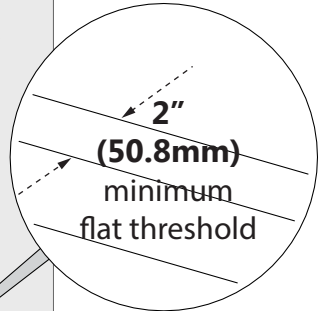
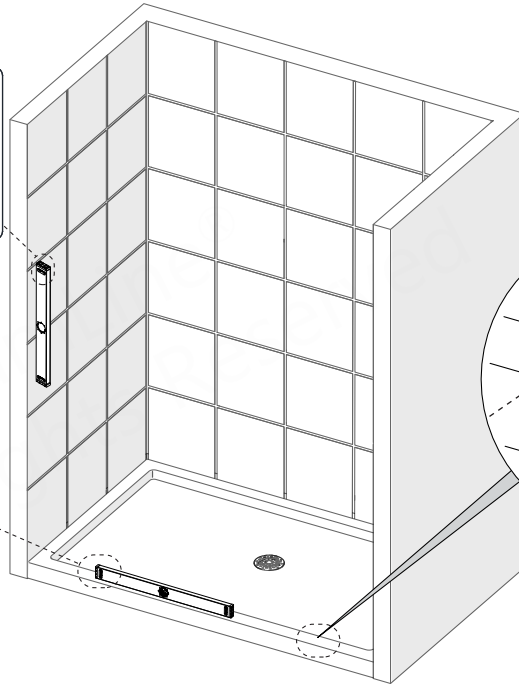
5/8" Out-of-Plumb Adjustment; Verify threshold and walls with a level



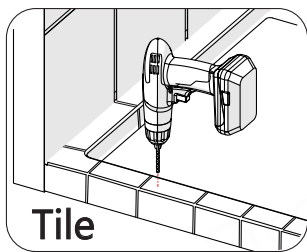
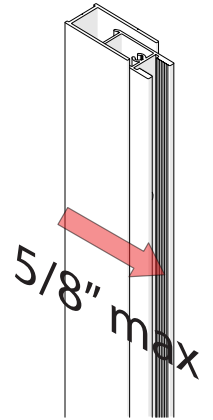
Threshold must be level



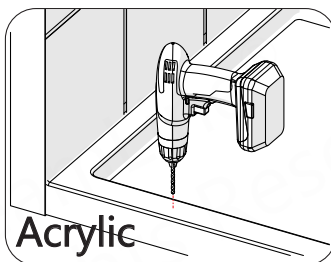
Threshold must be level



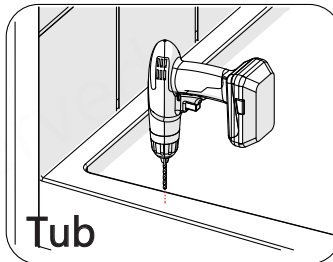
This model has an adjustable wall profile system that allows for up to 5/8" (15.8mm) per side for Out-of-Plumb wall conditions and overall width within the model size. For more information, see the Adjustable Wall Profile System on page 7.



Tile



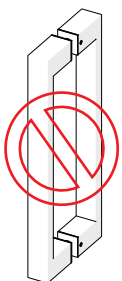
Acrylic



Tub



Contact the manufacturer of the base, tub or threshold material with any questions regarding the drilling of holes into their product.



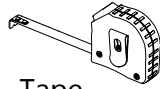
DO NOT attach the handle to the door glass until instructed.
DO NOT attempt to use the handle to lift the door glass during installation.

This may result in damage to the glass and/or serious injury. Always use a professional grade glass suction cup and an assistant.

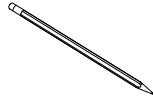
Tools



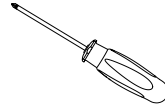
Level



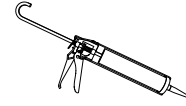
Tape Measure



Pencil



Phillips Screwdriver



Silicone



Power Drill



Work Gloves



Safety Glasses



Drill Bit
Ø1/8"
(3mm)



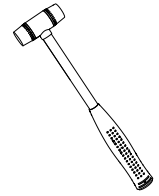
Drill Bit
Ø3/16"
(4mm)



Drill Bit
Ø5/16"
(8mm)



Drill Bit
Ø3/8"
(10mm)



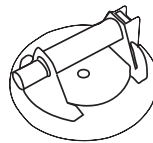
Soft Head Hammer



Painter's Tape



Razor Knife



Professional-Grade
Glass Suction Cup



Extender Driver Bit



#3 Phillips
Driver Bit



Verify that the correct model size has been ordered; measure the finished opening **before** proceeding with the installation.

Confirm that the finished walls are plumb and the threshold is level and pitched into the shower area.

Use a good quality waterproof, mildew-resistant 100% silicone caulk.

Cover the shower/tub drain with tape prior to installation to prevent the loss of screws or small parts.

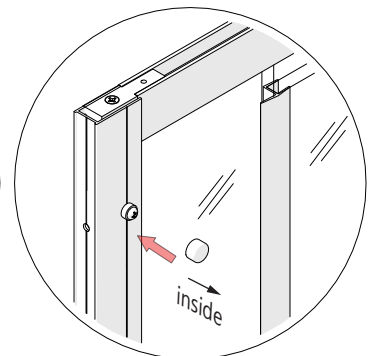
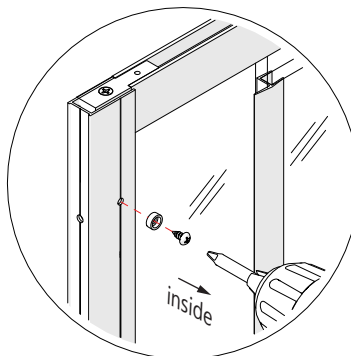
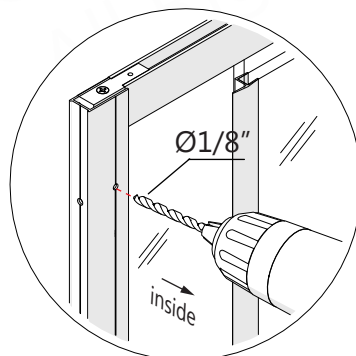
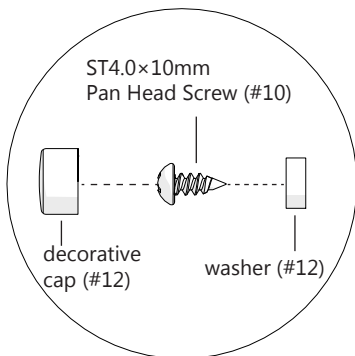
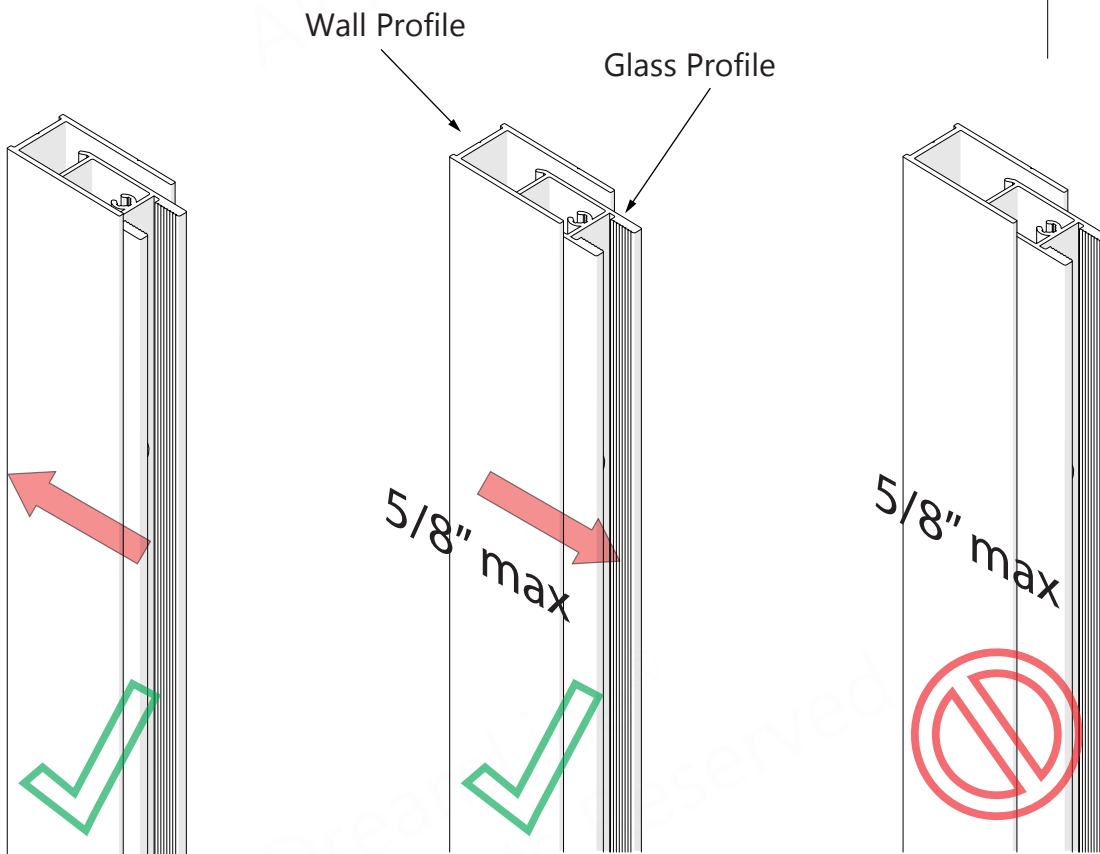
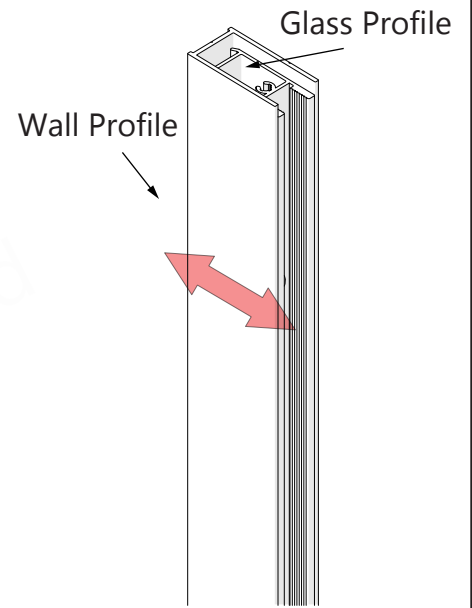


Unpack your unit carefully and inspect it. Lay it out and identify all parts using the **Detailed Diagram** on page 8; and packing list in this manual as a reference. Before discarding the carton, check for small hardware bags that may have fallen to the bottom of the box. If any parts are damaged or missing, please contact DreamLine® for replacement. The shipping boxes may contain extra parts not used in your model configuration. Retain these installation instructions for future reference.

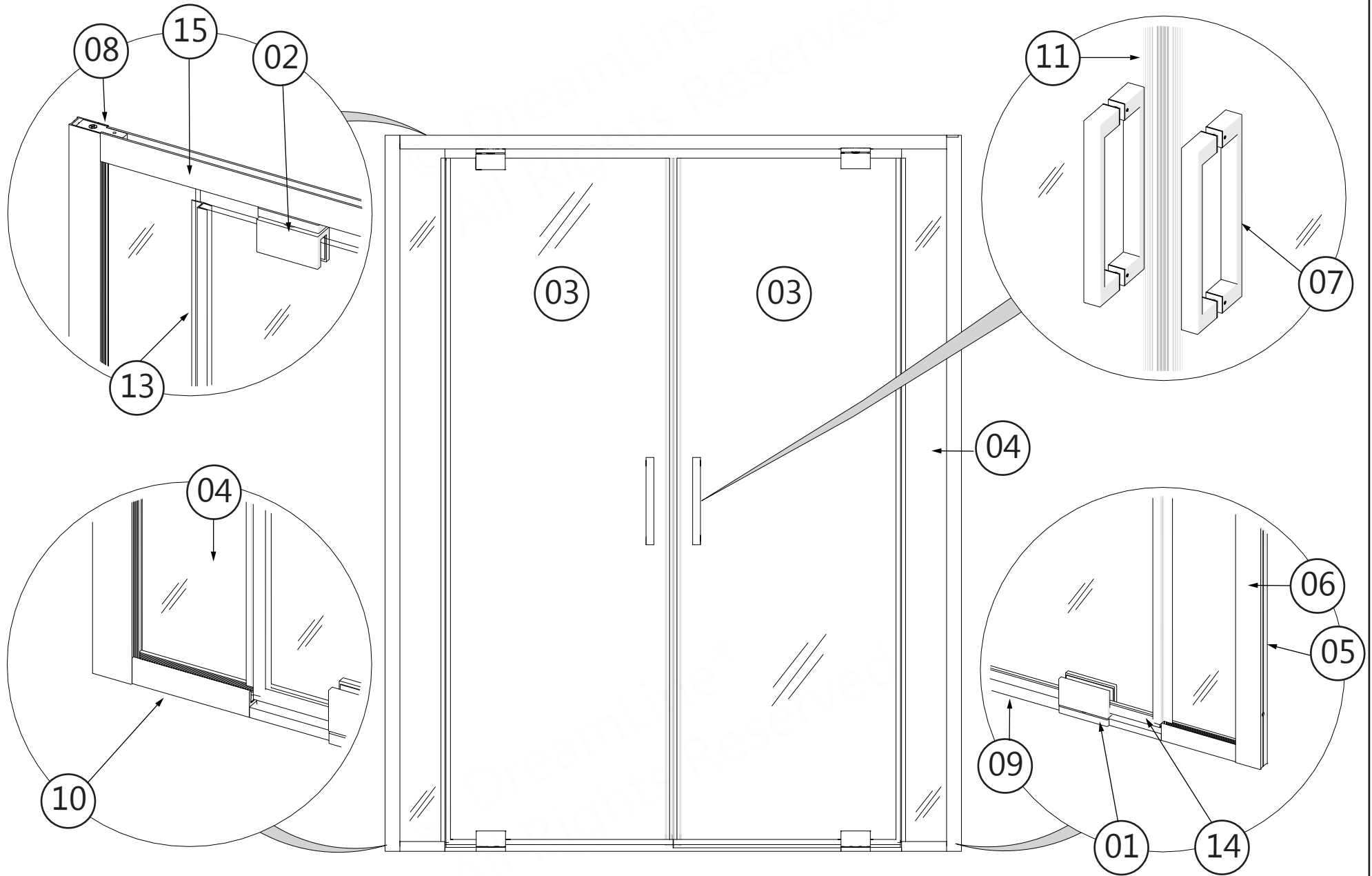
Adjustable Wall Profile System



The Glass Profiles can be adjusted up to 5/8" (15.8mm) within the Wall Profiles for overall width or to correct for out-of-plumb conditions within the model size. Screw them together after making final adjustments.



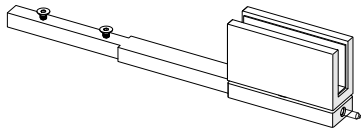
Detailed Diagram of Shower Door Components



Model #s
SDTR58W720

Parts List

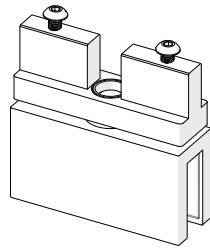
01



Bottom Pivot Assembly

x2

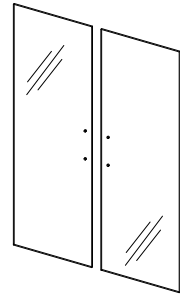
02



Top Pivot Assembly

x2

03



Door Glass

x2

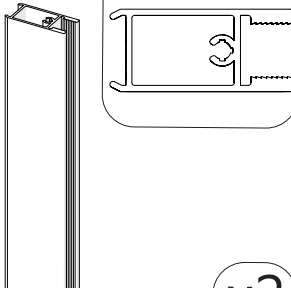
04



Inline Panel Glass

x2

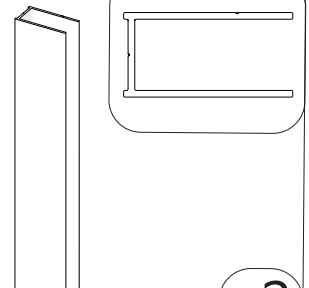
05



Glass Profile

x2

06



Wall Profile

x2

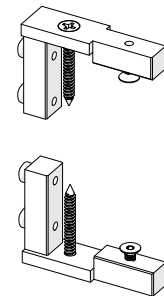
07



Back-to-Back Handle Assembly

x2

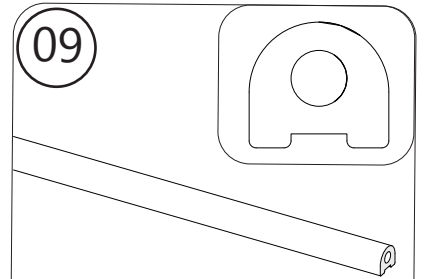
08



Angled L-Bracket

x4

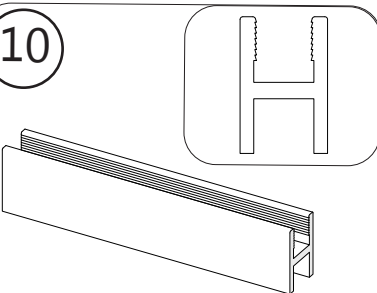
09



Threshold Dam Strip

x1

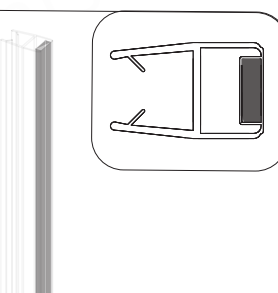
10



Bottom Profile H-Channel

x2

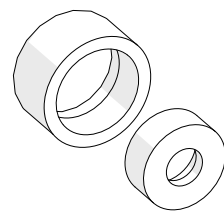
11



Magnetic Vinyl Seal

x2

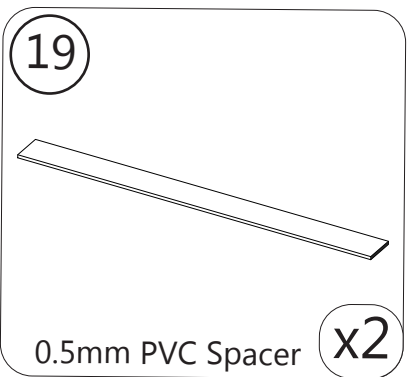
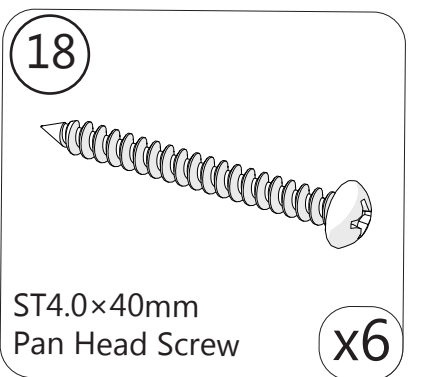
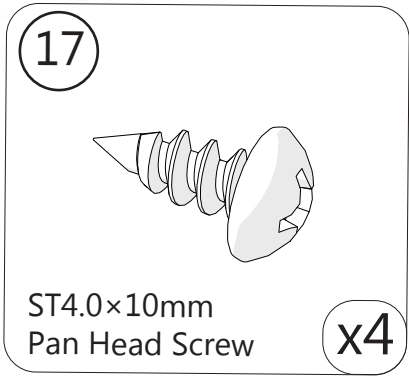
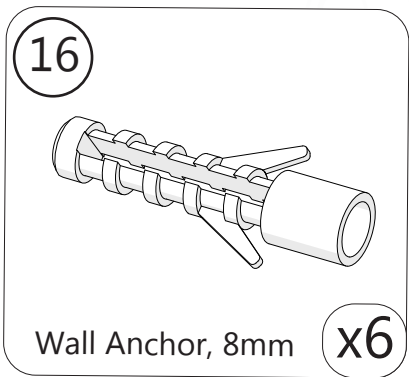
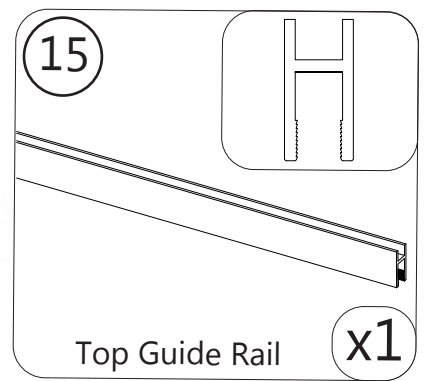
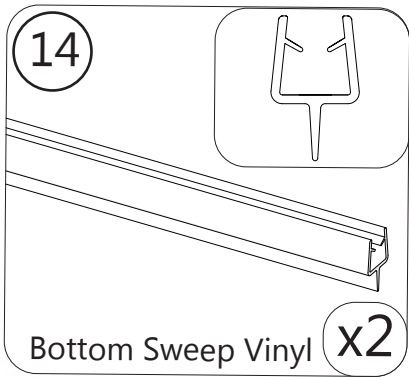
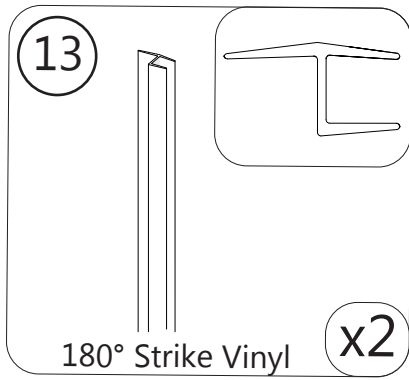
12



Decorative Cap (with Washer)

x4

Parts List



Parts per Angled L-Bracket

08

| Angled L-Bracket | | |
|------------------|----------------------------|--------|
| ITEM # | ITEM DESCRIPTION | QTY |
| 08.1 | Angled L-Bracket | 1 pc. |
| 08.2 | M4x10mm Pan Head Screw | 2 pcs. |
| 08.3 | M4x10mm Flat Head Screw | 1 pc. |
| 08.4 | ST4.2x35mm Flat Head Screw | 1 pc. |

Installation Steps

1

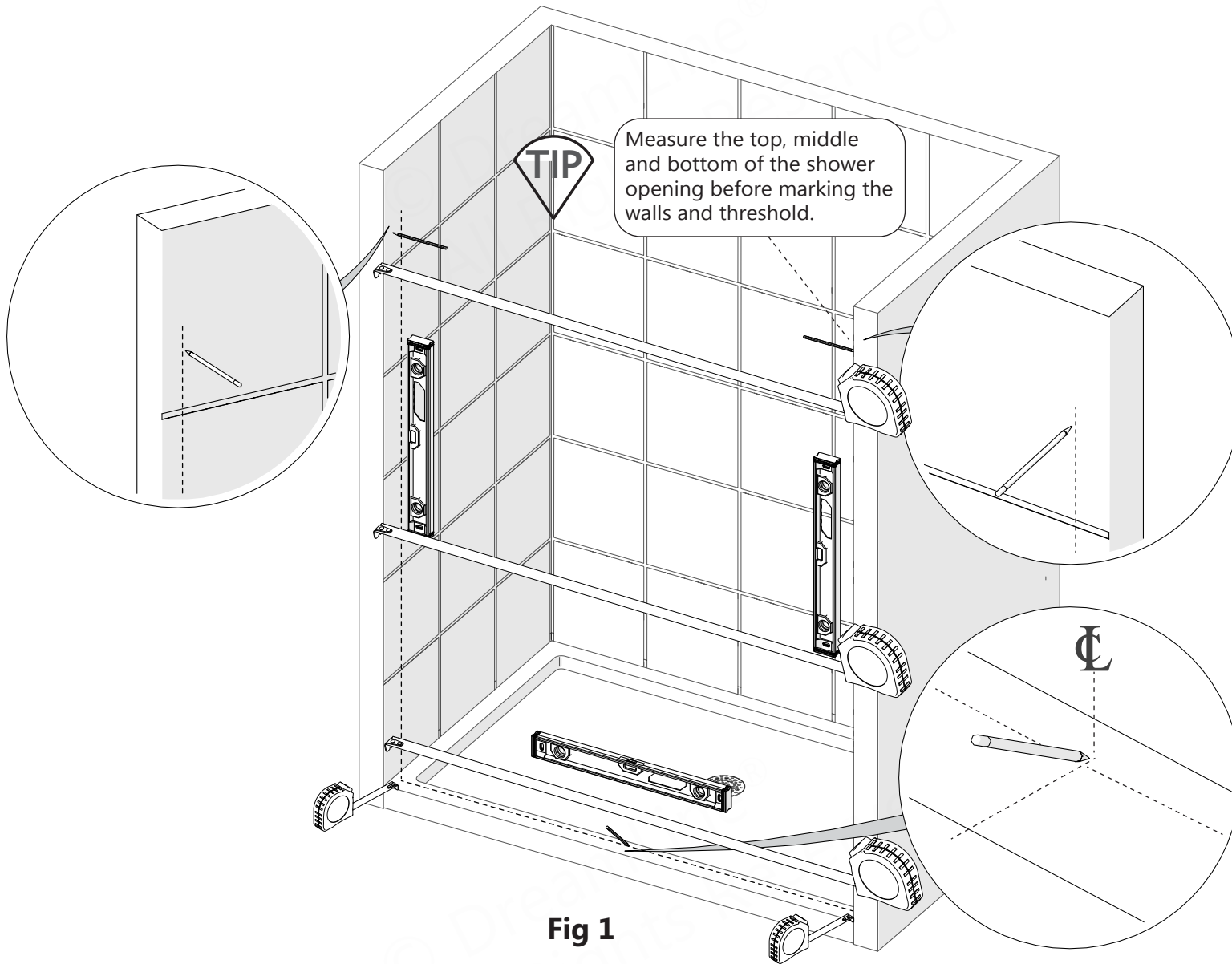
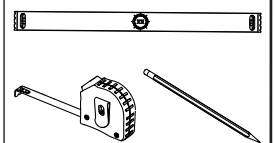


Fig 1



This shower door has a 5/8" (15.8mm) maximum out-of-plumb adjustment within the **Wall Profiles (#06)** on each side. **Ensure the threshold is level and the walls are no more than 5/8" out-of-plumb before marking the centerline.** Fig 1

Tools Needed



2

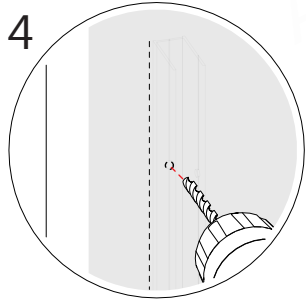
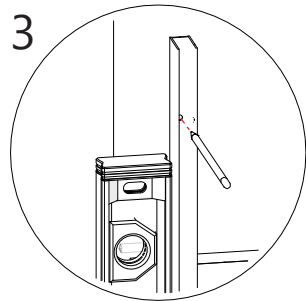
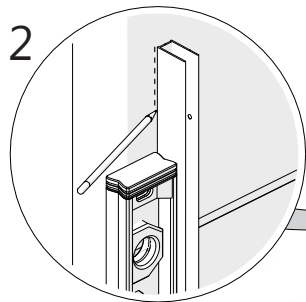
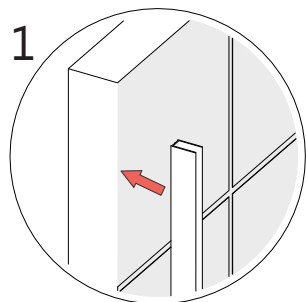
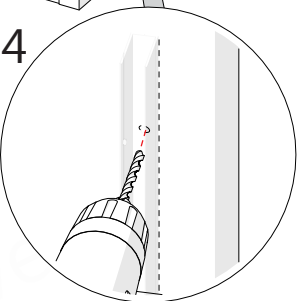
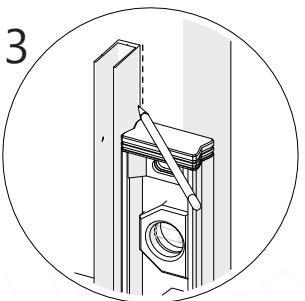
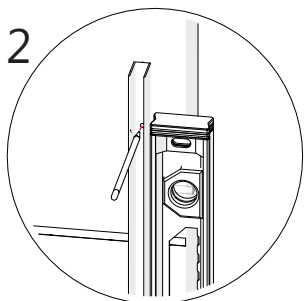
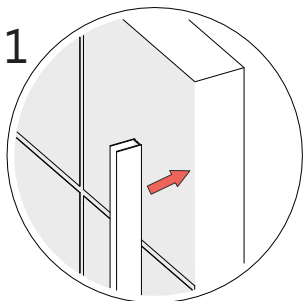
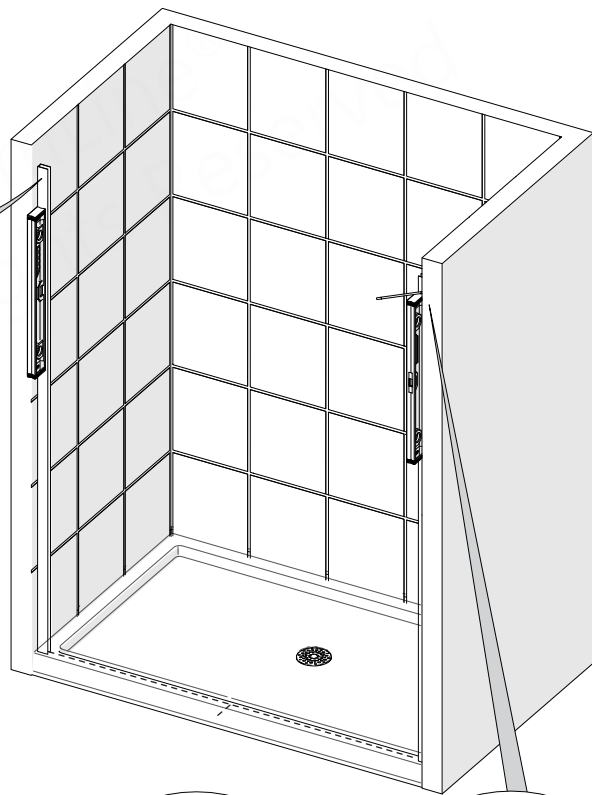


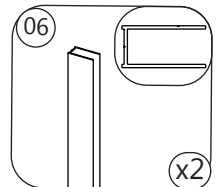
Fig 2



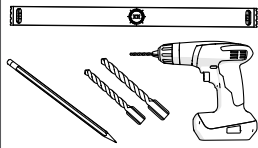
NOTE

- **If a stud is present behind the wall:**
drill a $\text{Ø}3/16''$ (4mm) hole up to the stud, drill an $\text{Ø}1/8''$ (3mm) pilot hole and use the **ST4.0 x 40mm Pan Head Screws (#18)**
- OR
- **If no stud is present behind the wall:**
drill a $\text{Ø}5/16''$ (7mm) hole and insert the **Wall Anchors (#16)** and use the **ST4.0 x 40mm Pan Head Screws (#18)**.

Parts Needed



Tools Needed



3

NOTE

Confirm the ribs and countersunk screw holes of the **Bottom Profile H-Channel (#10)** and the screw holes of the **Bottom Pivot Assembly (#01)** are **facing up** before attaching the **Angled L-Bracket (#08)**. **Fig 3a**

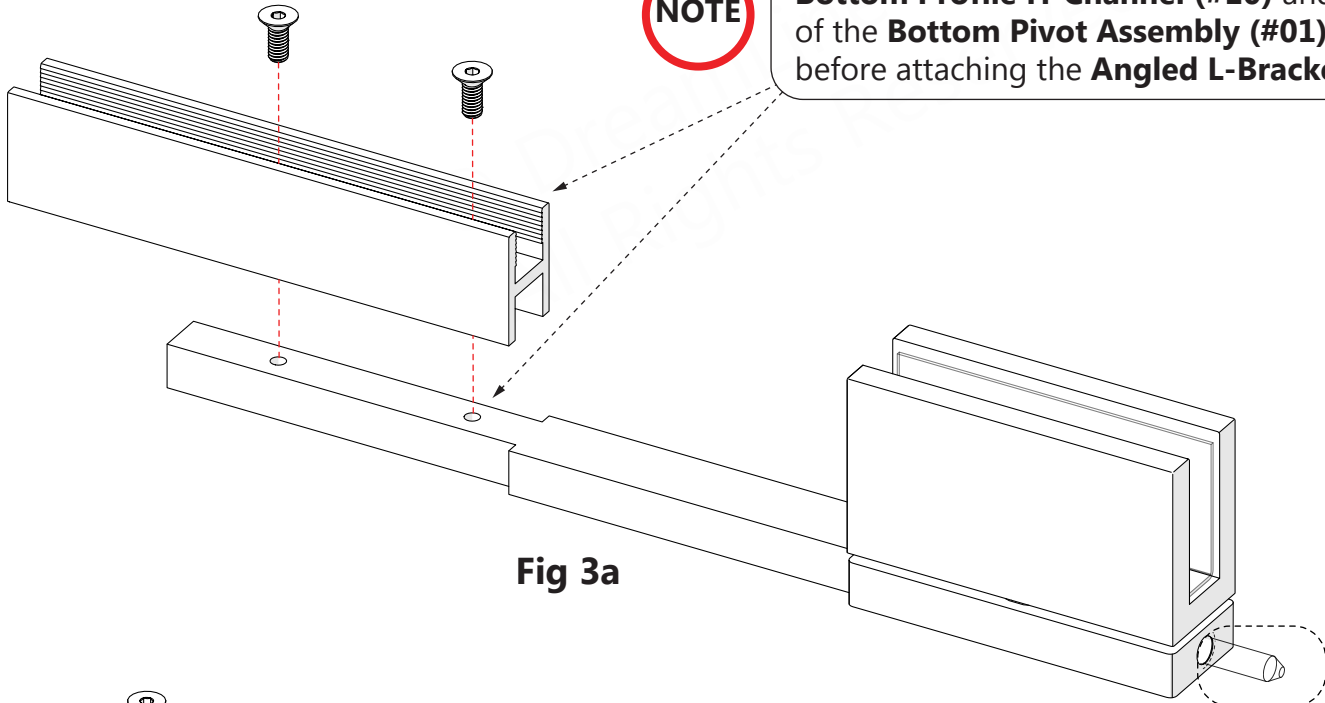


Fig 3a

NOTE

Verify the Bottom Pivot Assembly Pins are included, these connect the **Threshold Dam Strip (#09)** to the Bottom Pivot Assembly. For further information, **see Step 7**. **Fig 3b**

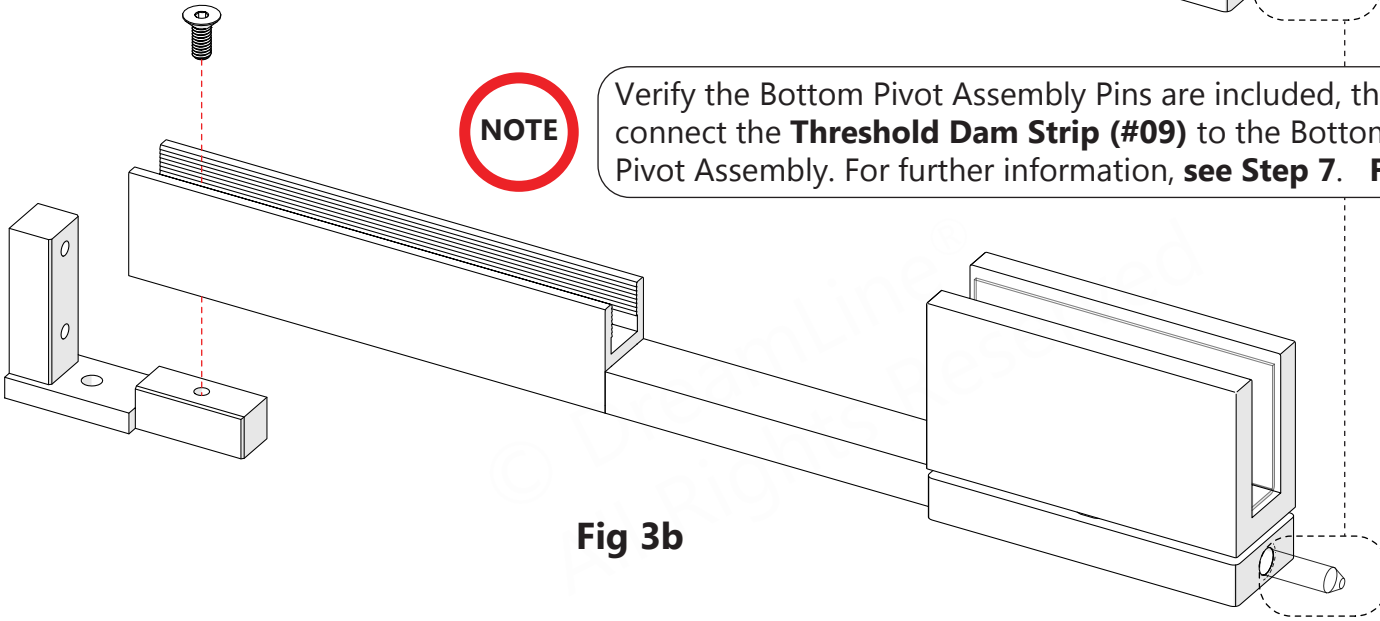
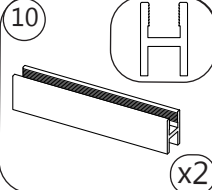
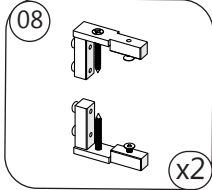
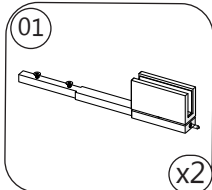


Fig 3b

Parts Needed



Tools Needed



4

NOTE

Ensure the holes in both the **Angled L-Brackets (#08)** and the **Top Guide Rail (#15)** are **matched up** before attaching with the **M4×10mm Pan Head Screws for Angled L-Bracket (#08.3)**. Fig 4a

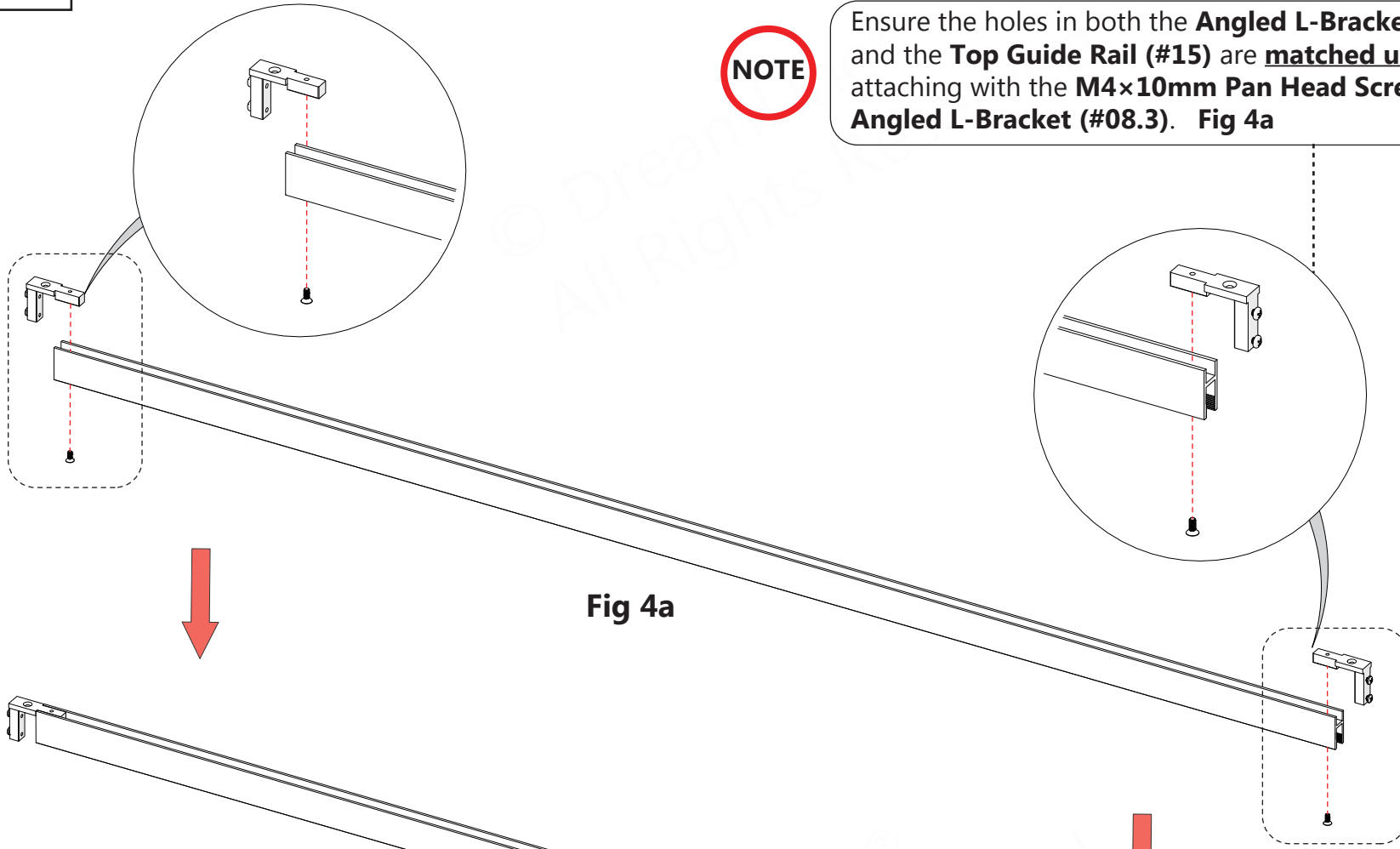


Fig 4a

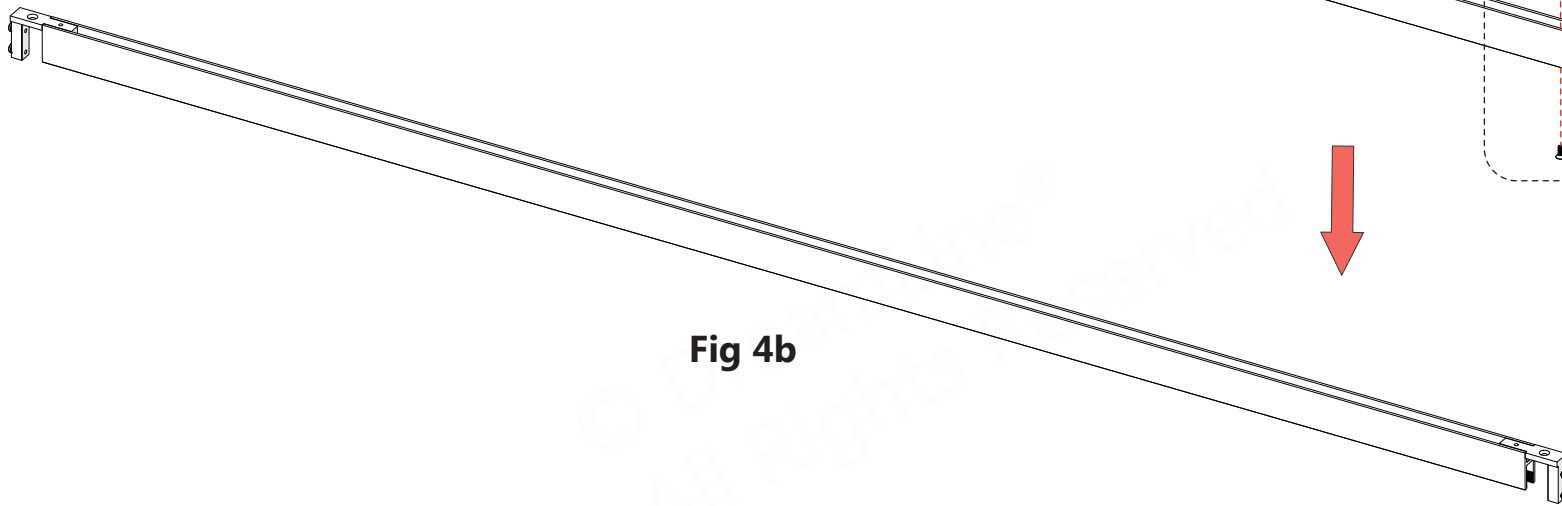
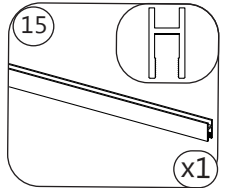
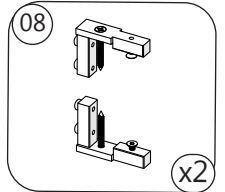


Fig 4b

Parts Needed



Tools Needed



5

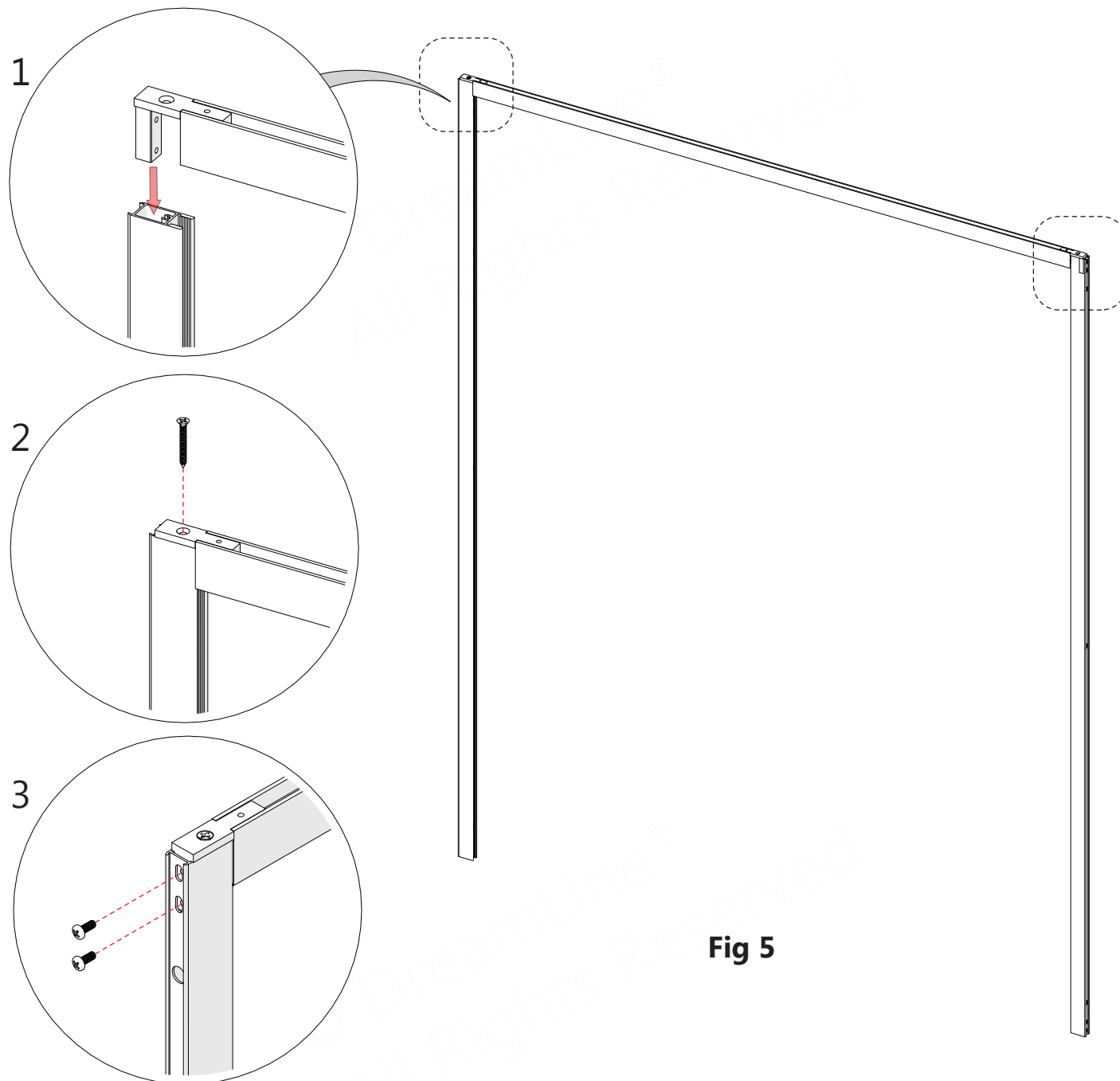
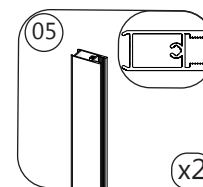
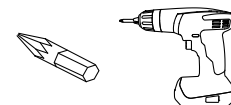


Fig 5

Parts Needed



Tools Needed



The **Angled L-Bracket (#08)** includes one remaining hole on the top and two on the sides. Secure the L-Bracket to each **Glass Profile (#05)** from the top using the **ST4.2×35mm Flat Head Screw (#08.4)** **first**; then, secure the two pieces using the **M4×10mm Pan Head Screws (#08.2)**. Repeat for the remaining side. **Fig 5**

6



The **Angled L-Bracket (#08)** includes one remaining hole on the bottom and two on the sides. Secure the L-Bracket/Bottom Pivot Assembly to each **Glass Profile (#05)** from the bottom using the **ST4.2×35mm Flat Head Screw (#08.4)** **first**; then, secure the two pieces using the **M4×10mm Pan Head Screws (#08.2)**. Repeat for the remaining side. **Fig 6**

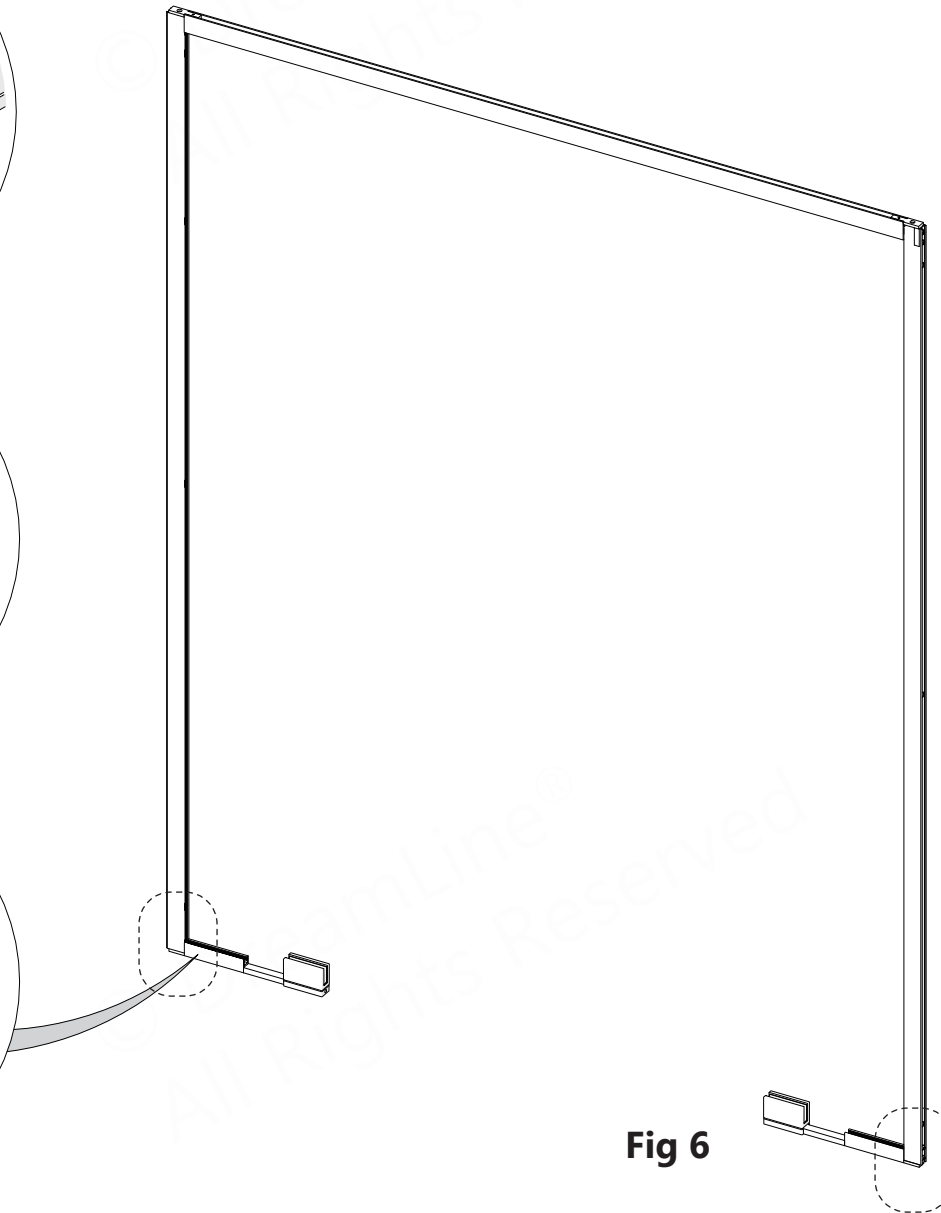
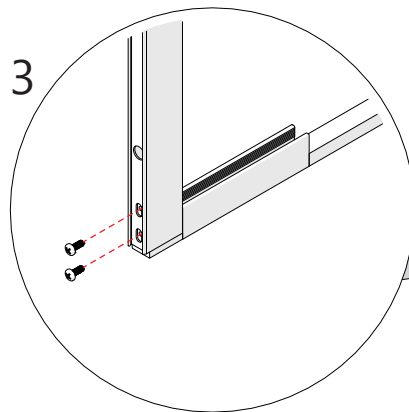
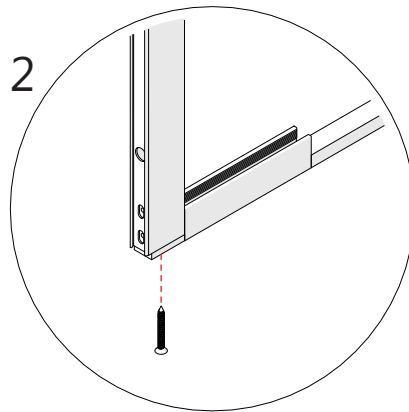
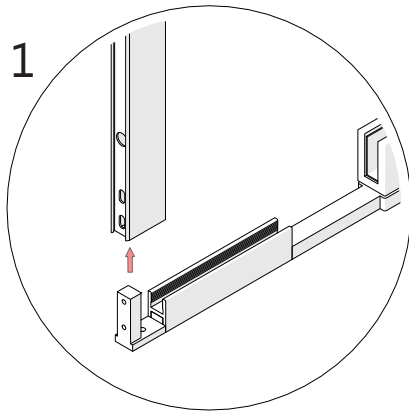
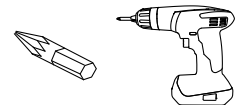


Fig 6

Tools Needed



7

NOTE

If not already installed, insert the **Bottom Pivot Assembly (#01)** Pins into the ends of the **Threshold Dam Strip (#09)**. **Fig 7a**

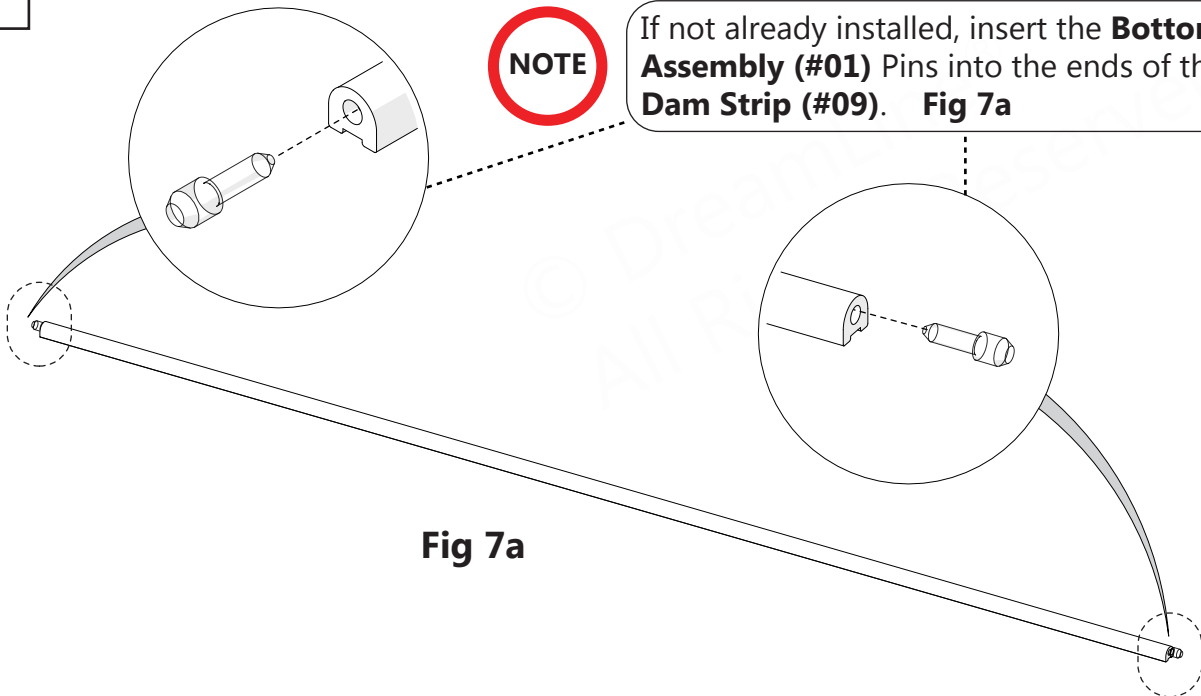


Fig 7a

TIP

Place a mark at the center of the **Threshold Dam Strip (#09)** as a guide to maintain an even reveal once the Door Glass is installed and final adjustments are made. **Fig 7c**

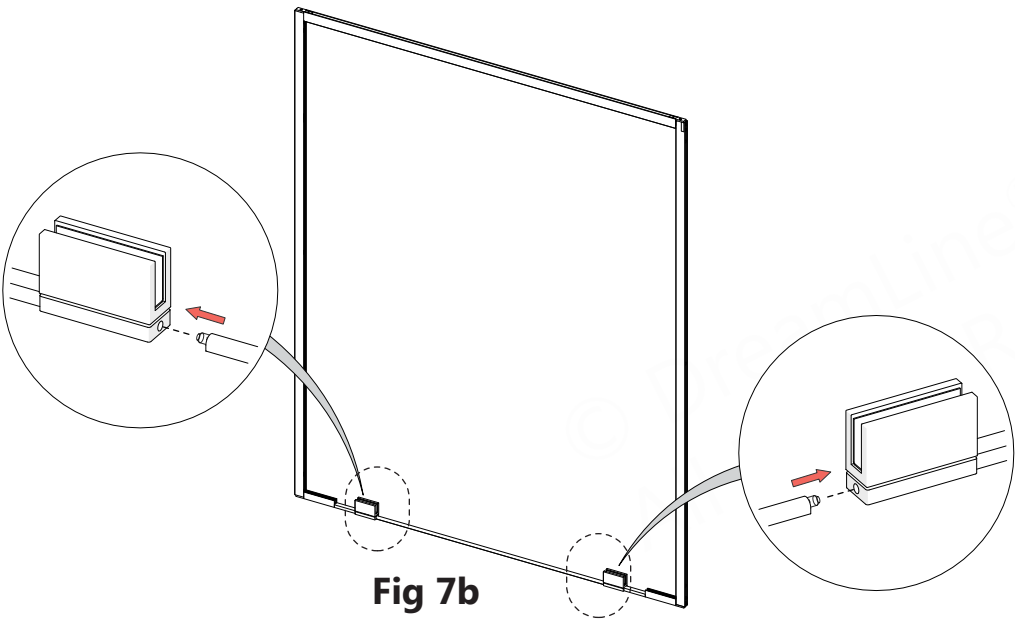


Fig 7b

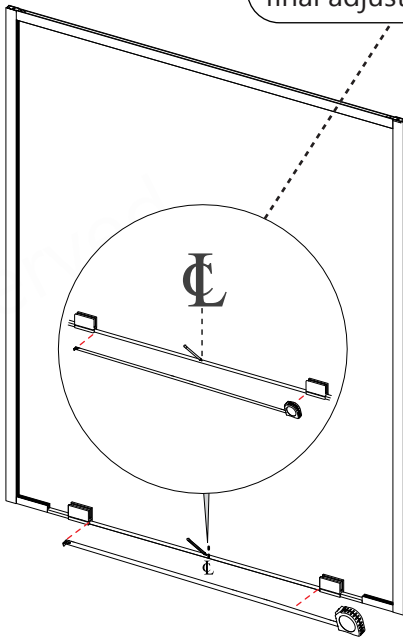
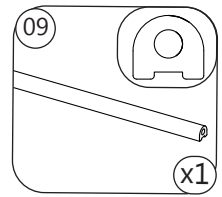


Fig 7c

Parts Needed



Tools Needed



8

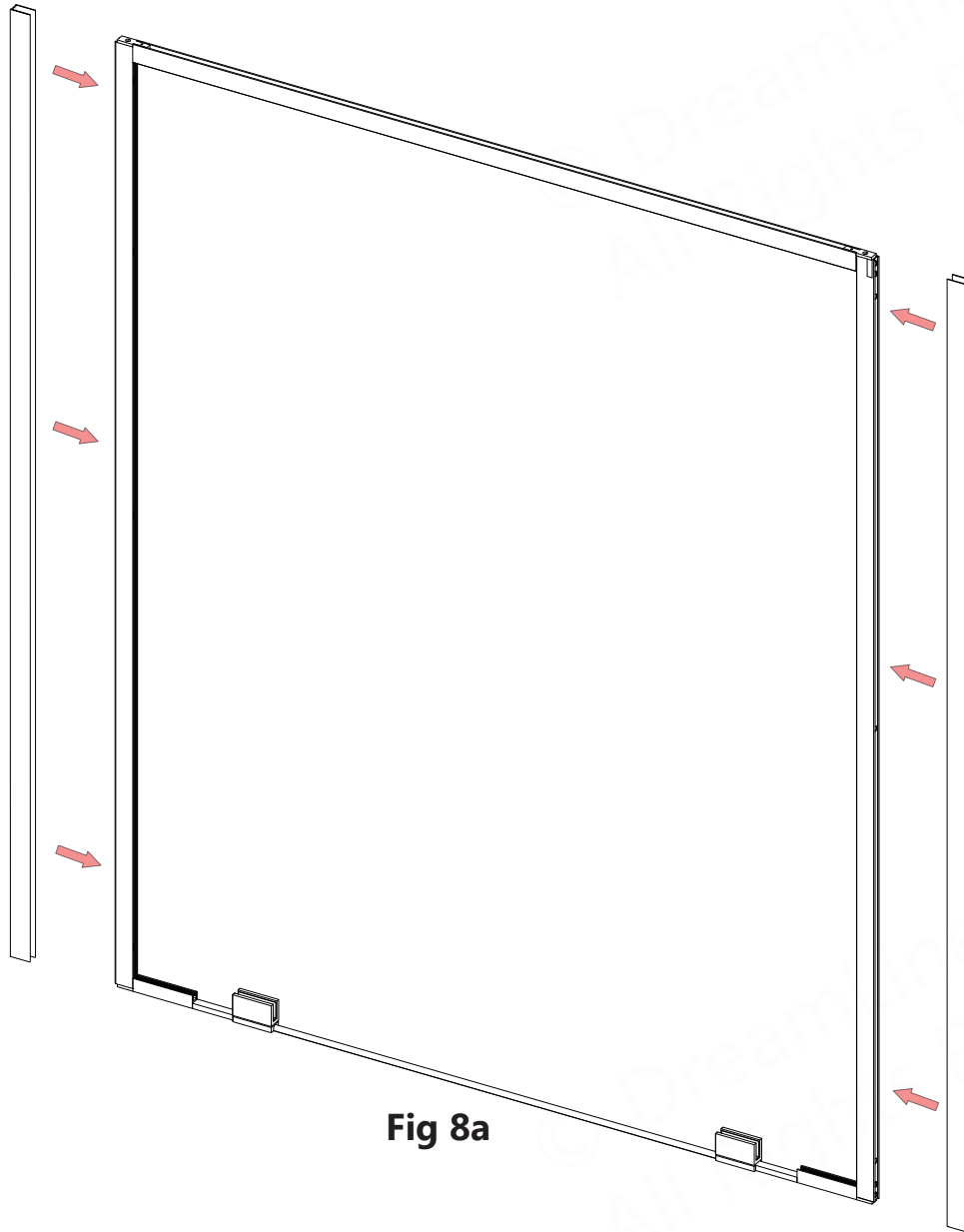


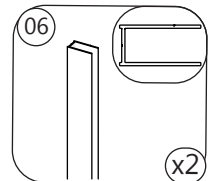
Fig 8a

Fig 8b

Diagram Fig 8b shows a close-up of the shower door frame. A circular callout highlights the 'inside' of the frame, showing a groove. Below the callout is a red circle with the word 'NOTE' inside, followed by the text '5/8" max adjustment ID groove'.

The Max Adjustment Grooves located on the **Wall Profiles (#06)** should face towards the **inside** of the shower opening before sliding them onto the shower assembly.

Parts Needed



9

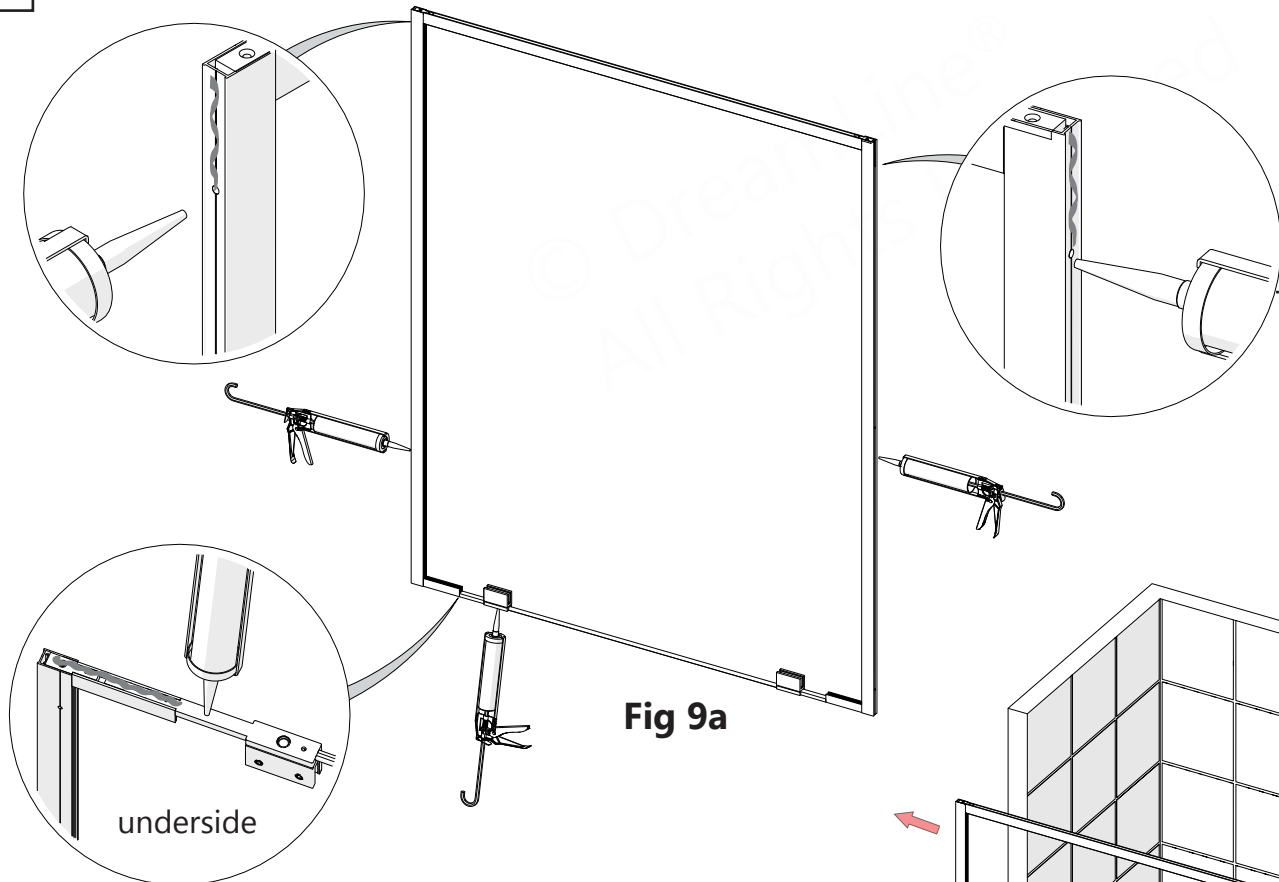


Fig 9a



Apply a thick bead of silicone caulk to the undersides of the unit and backs of the Wall Profiles (#06) before placing and securing the assembly into the finished opening! Fig 9a

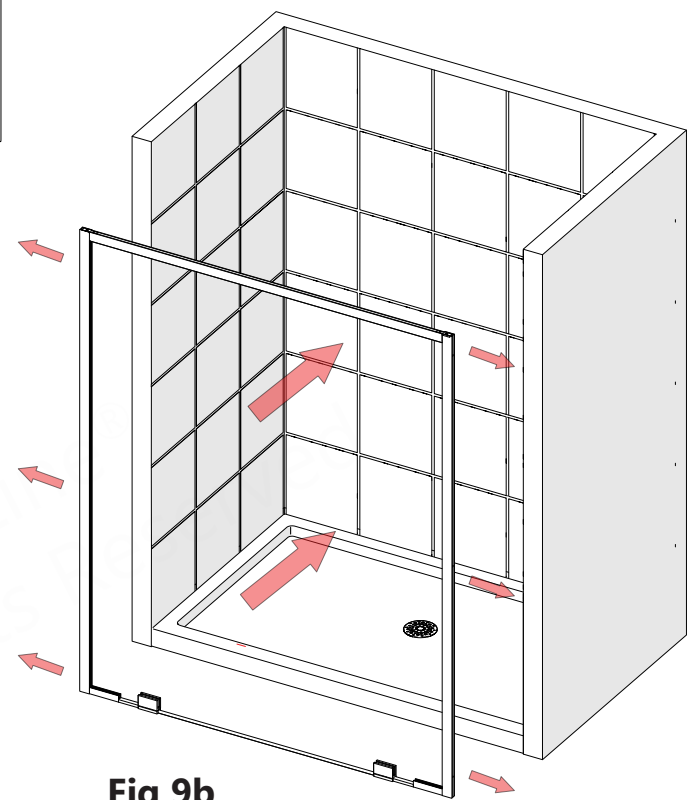


Fig 9b

Tools Needed

10

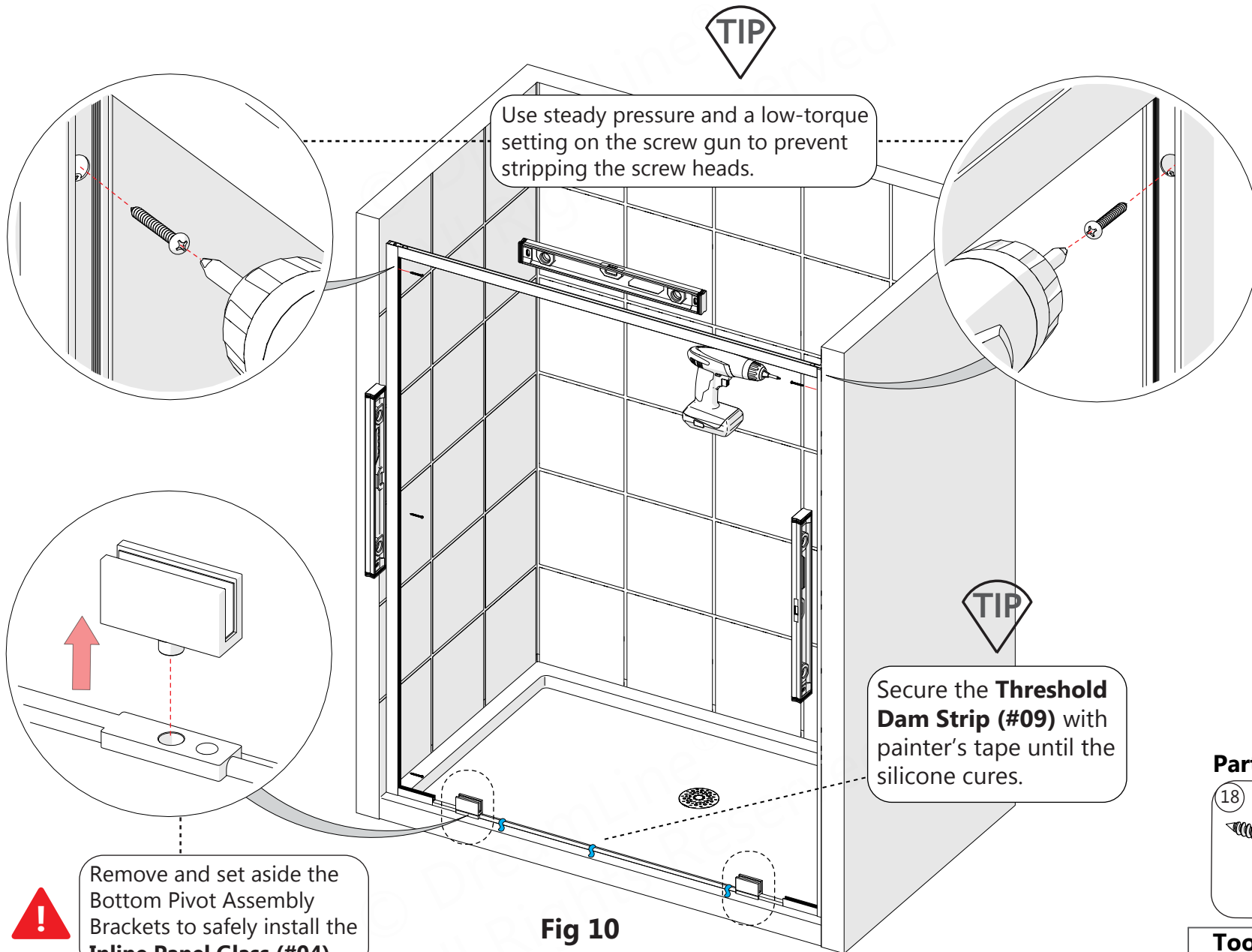
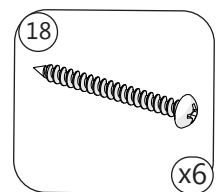
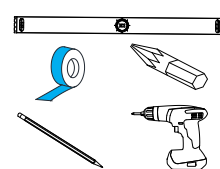


Fig 10

Parts Needed



Tools Needed



Remove and set aside the Bottom Pivot Assembly Brackets to safely install the Inline Panel Glass (#04).

TIP Use steady pressure and a low-torque setting on the screw gun to prevent stripping the screw heads.

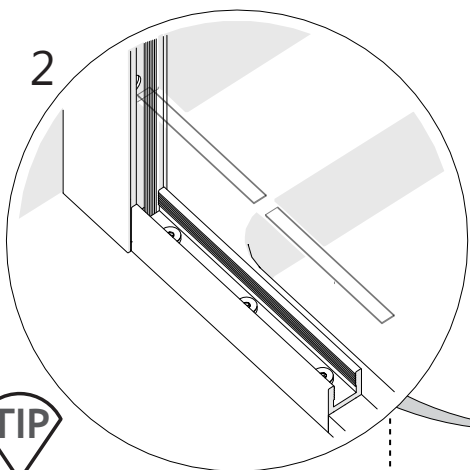
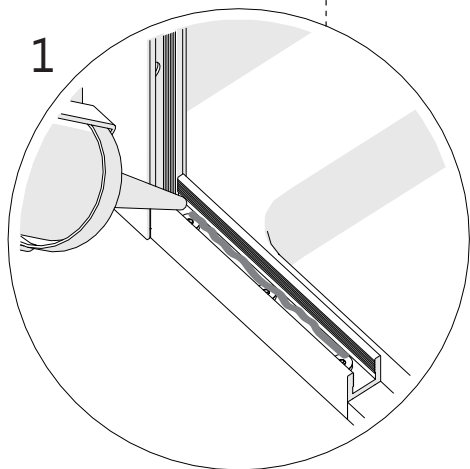
TIP Secure the Threshold Dam Strip (#09) with painter's tape until the silicone cures.

11

Inline Panel Installation



Use a good quality fast-setting, waterproof, and mildew-resistant 100% silicone.



To prevent glass-to-metal contact, cut the **0.5mm PVC Spacer (#19)** to the width of the **Inline Panel Glass (#04)**.

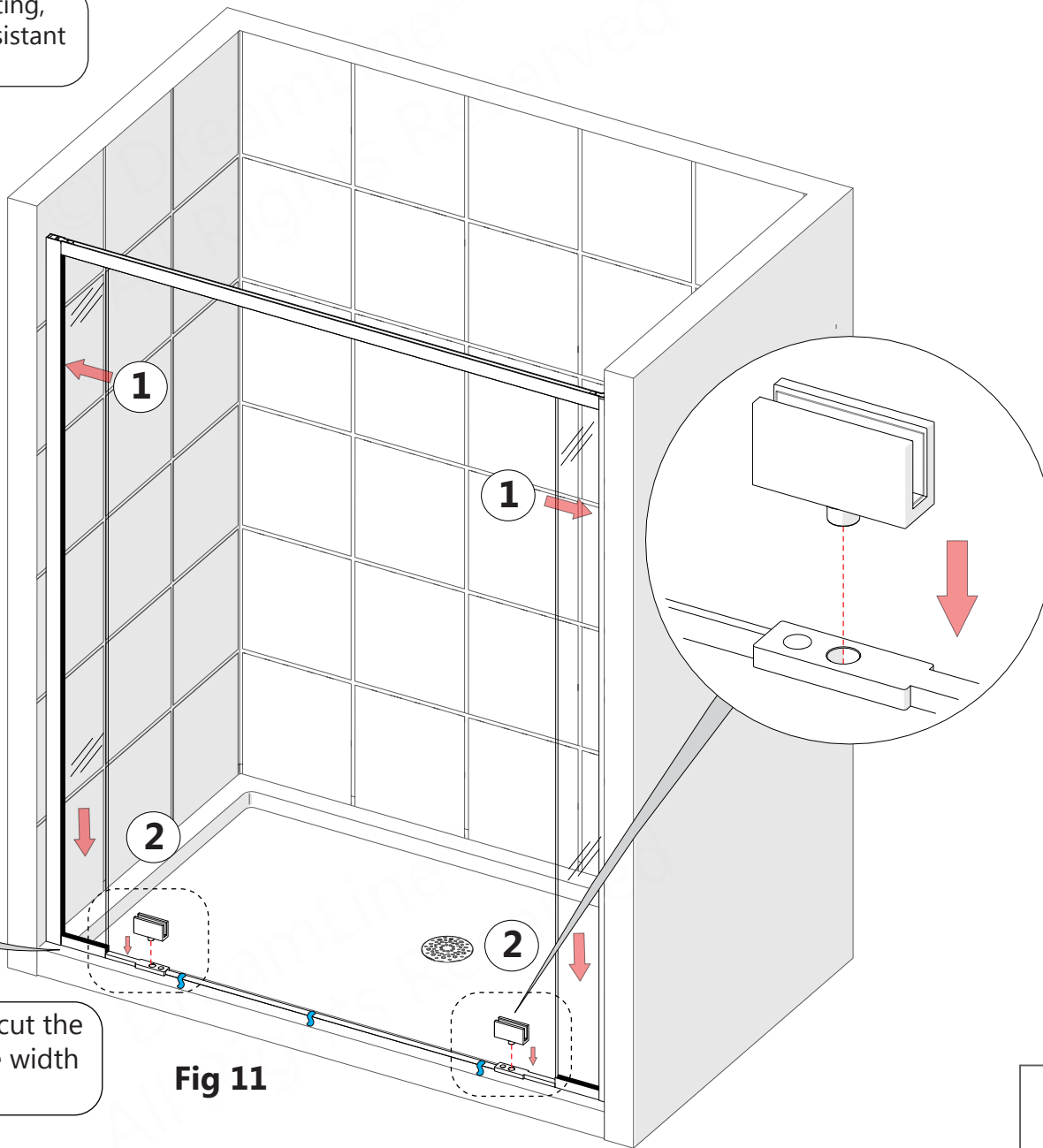
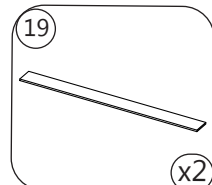
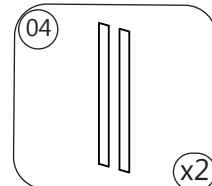
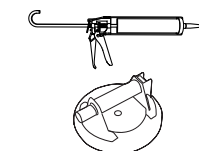


Fig 11

Parts Needed



Tools Needed



It is strongly recommended to allow the silicone beneath the Bottom Pivot Assemblies and Threshold Dam Strip to cure for at least 30 minutes before installing the door! Fig 11



12

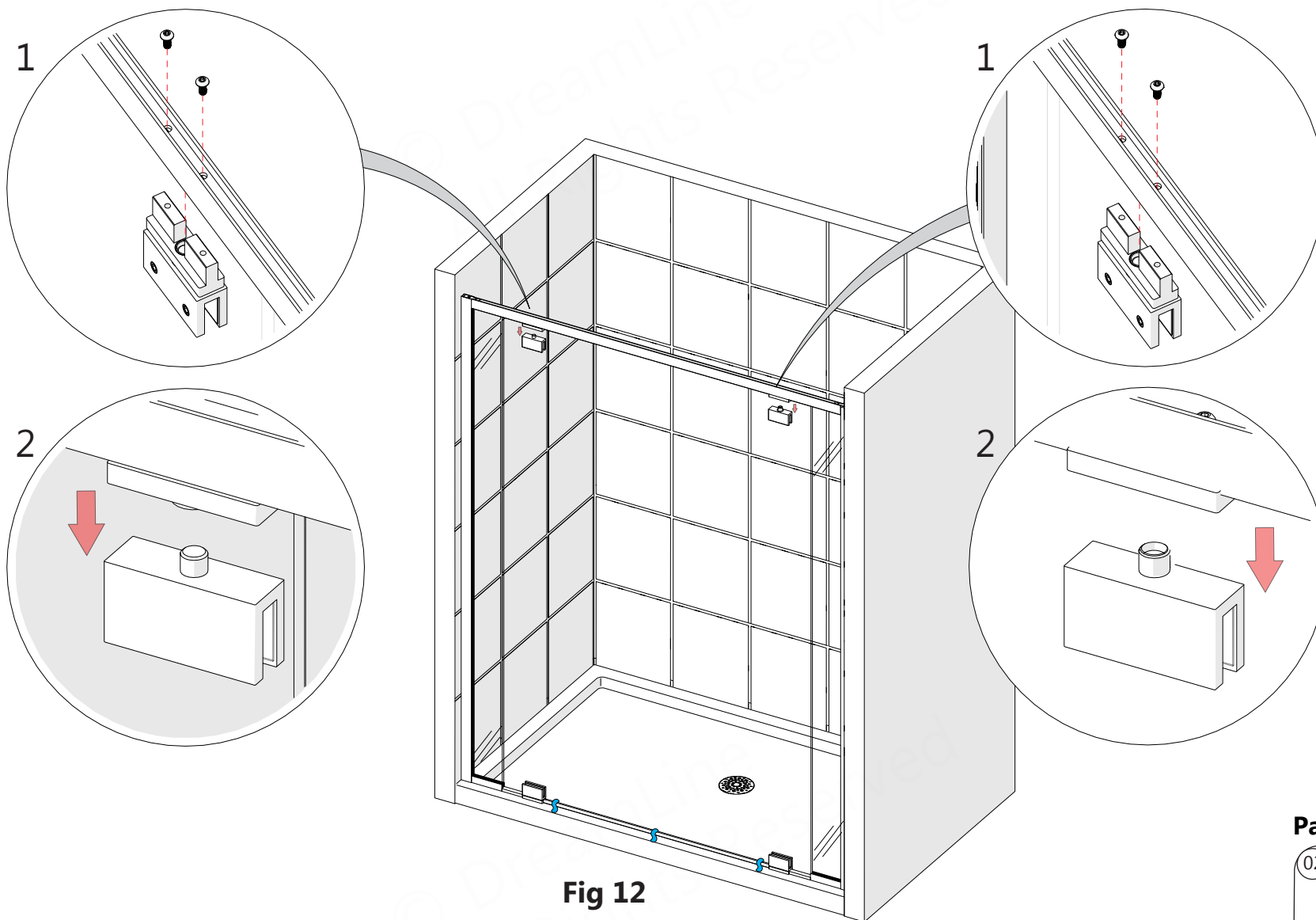
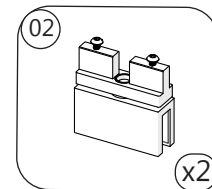


Fig 12



To safely install the **Door Glass (#03)**, secure the **Top Pivot Assemblies (#02)** onto the **Top Guide Rail (#15)**; then, remove the Top Pivot Assembly glass brackets. **Fig 12**

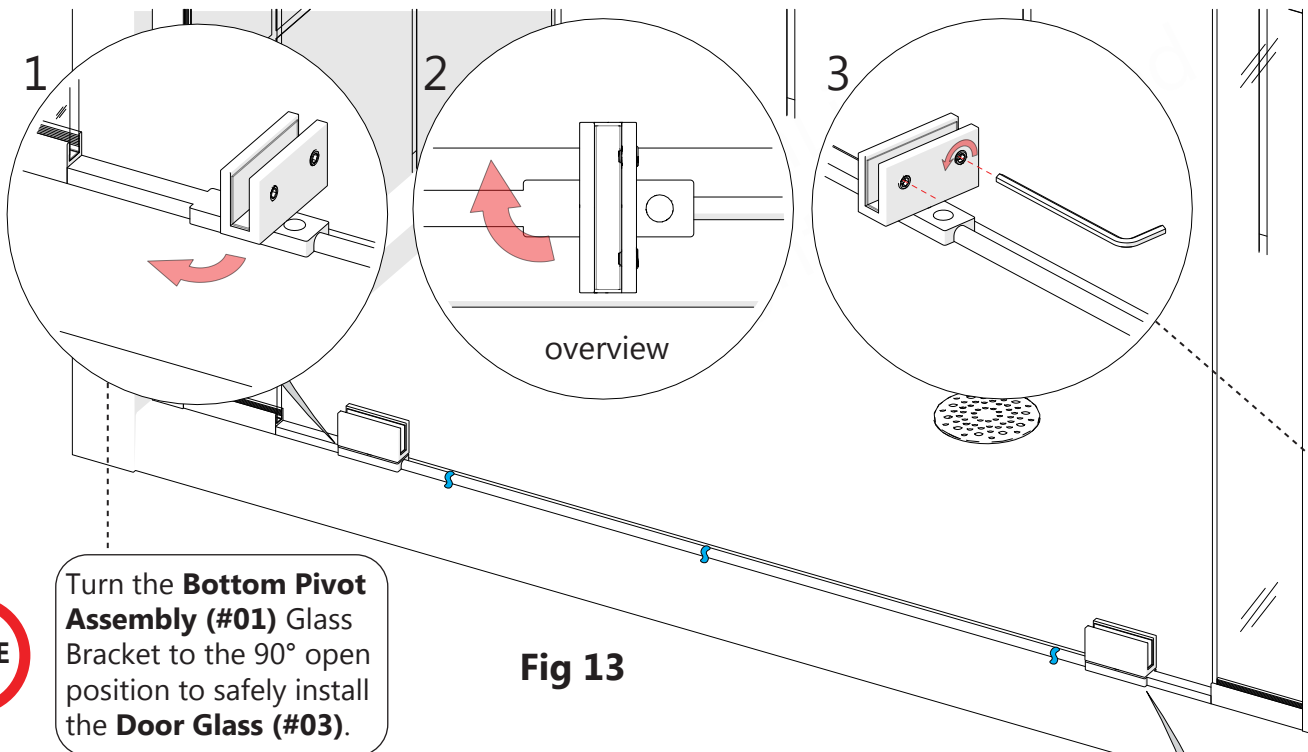
Parts Needed



Tools Needed



13

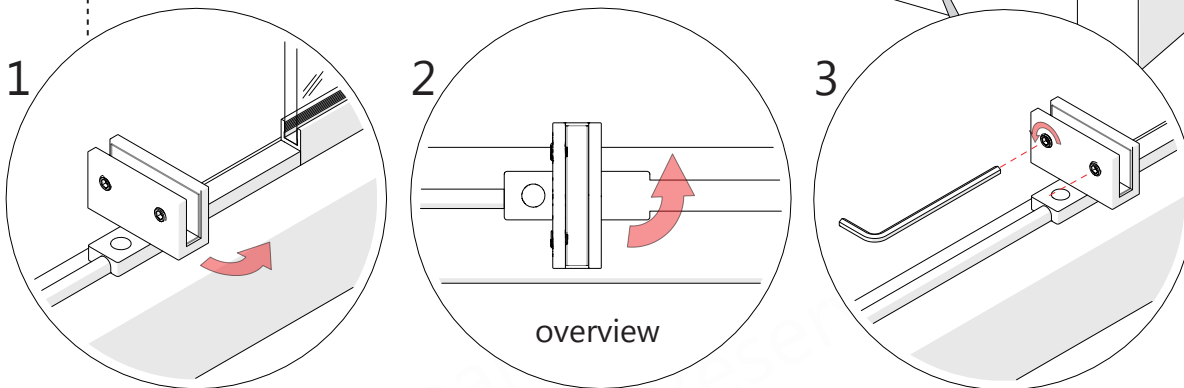


NOTE

Turn the **Bottom Pivot Assembly (#01)** Glass Bracket to the 90° open position to safely install the **Door Glass (#03)**.

Fig 13

Loosen the pivot assembly set-screws slightly to allow the **Door Glass (#03)** to be installed. **Do Not fully remove the screws!**



To prevent metal-to-glass contact, confirm the Bottom Pivot Assembly vinyls are present!
Not using vinyl gaskets may result in damage to the glass and/or serious injury. Always use a professional grade glass suction cup and an assistant.

Tools Needed



14

180° Strike Vinyl Installation

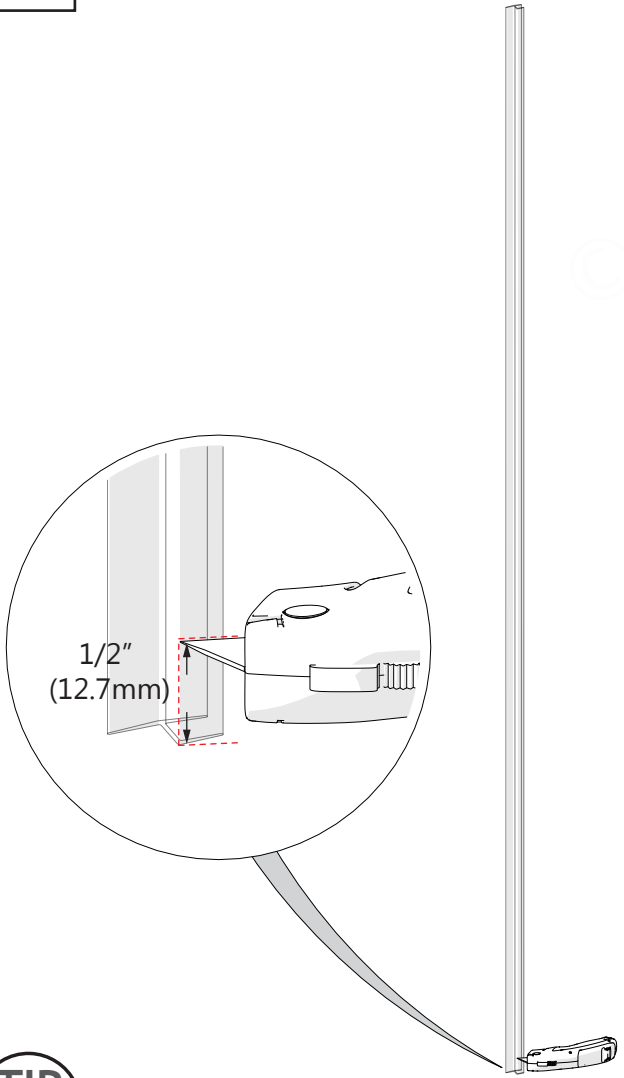


Fig 14a

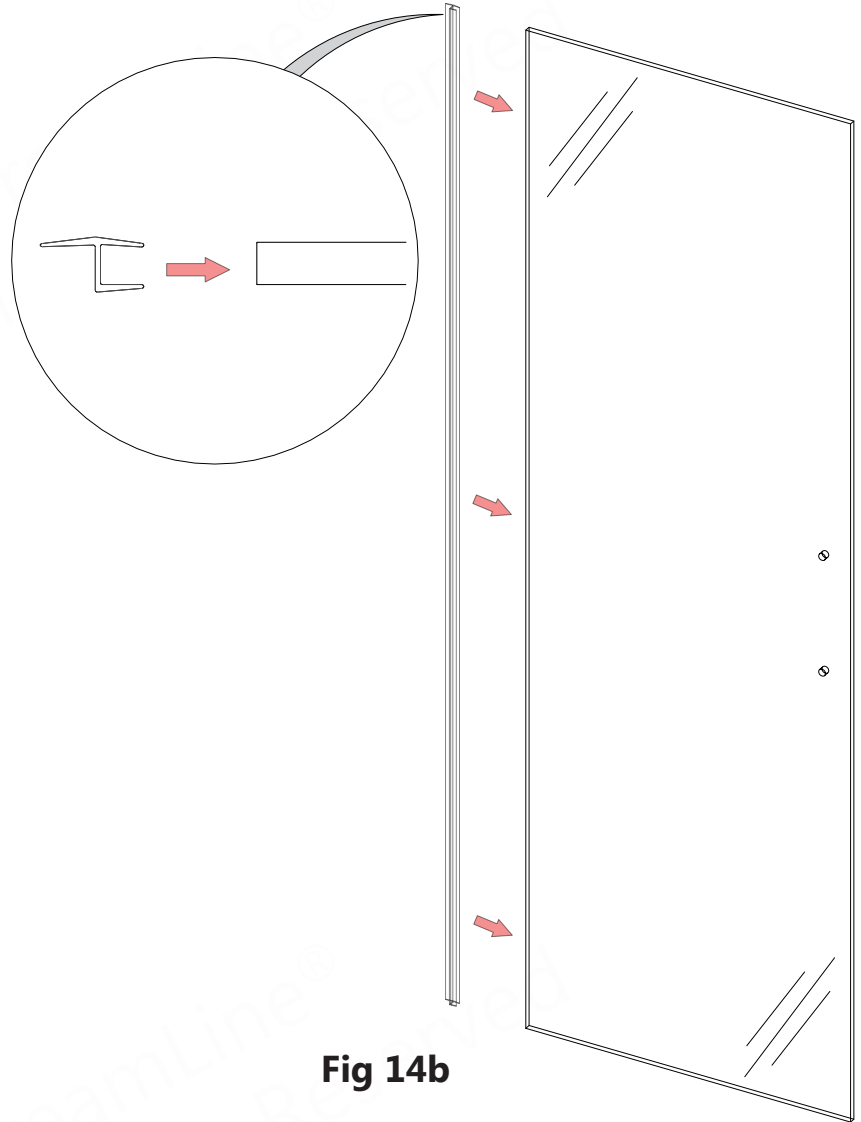
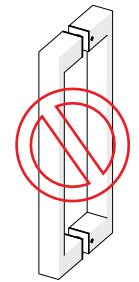
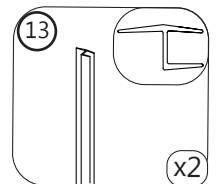
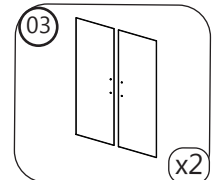


Fig 14b



Parts Needed



Tools Needed



Notch 1/2" (12.7mm) from the bottom of the **180° Strike Vinyl (#13)** to accommodate the **Bottom Sweep Vinyl (#14)**. **Fig 14a**

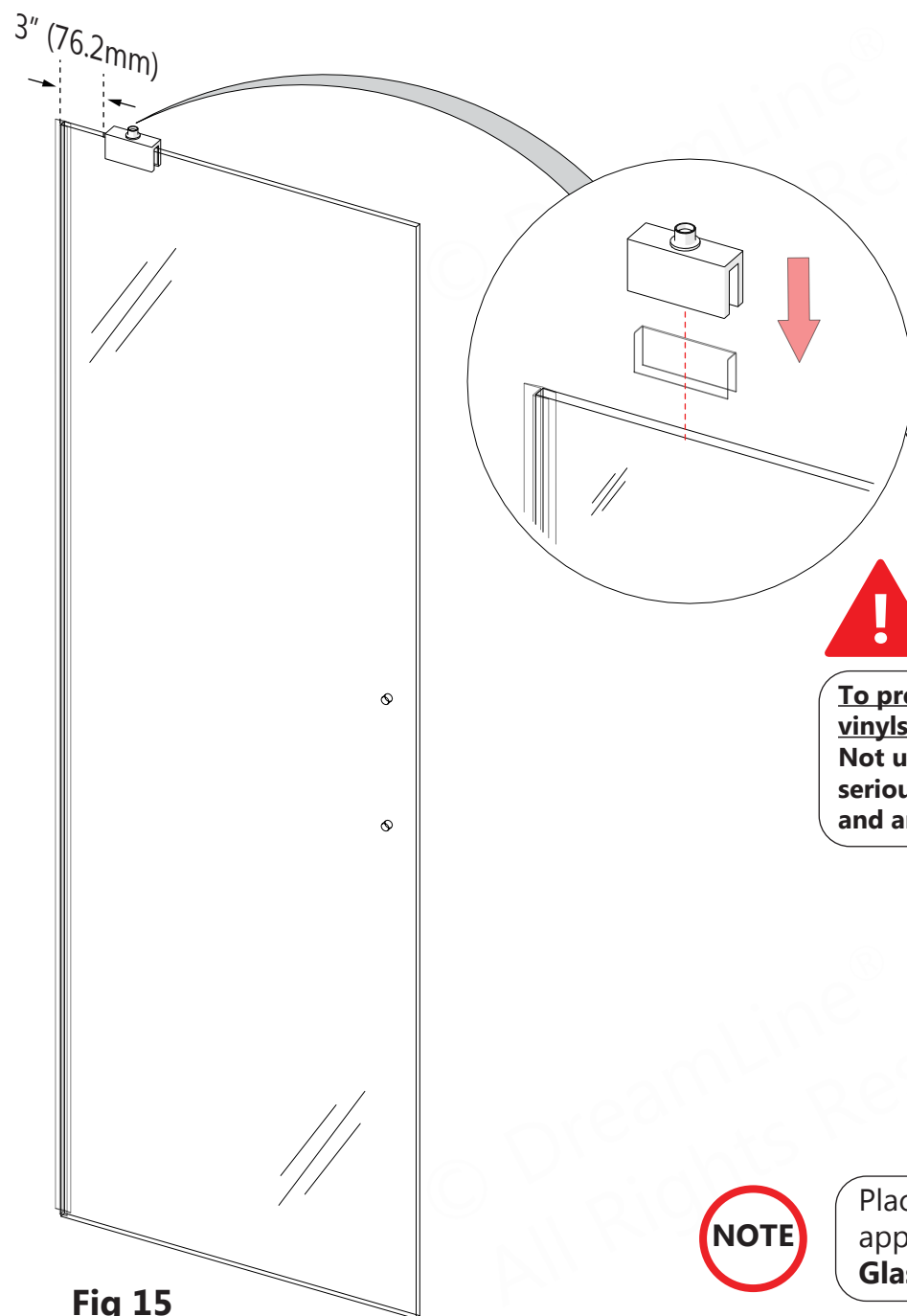


DO NOT attach the handle to the door glass until instructed. DO NOT attempt to use the handle to lift the door glass during installation.

This may result in damage to the glass and/or serious injury. Always use a professional grade glass suction cup and an assistant.

15

Door Glass Installation

**Fig 15**

To prevent metal-to-glass contact, confirm the Top Pivot Assembly vinyls are present!
 Not using vinyl gaskets may result in damage to the glass and/or serious injury! Always use a professional grade glass suction cup and an assistant.



Place the **Top Pivot Assembly (#02)** Glass Brackets approximately 3" (76.2mm) from the edge of the **Door Glass (#03)** when attaching them to the glass. **Fig 15**

16

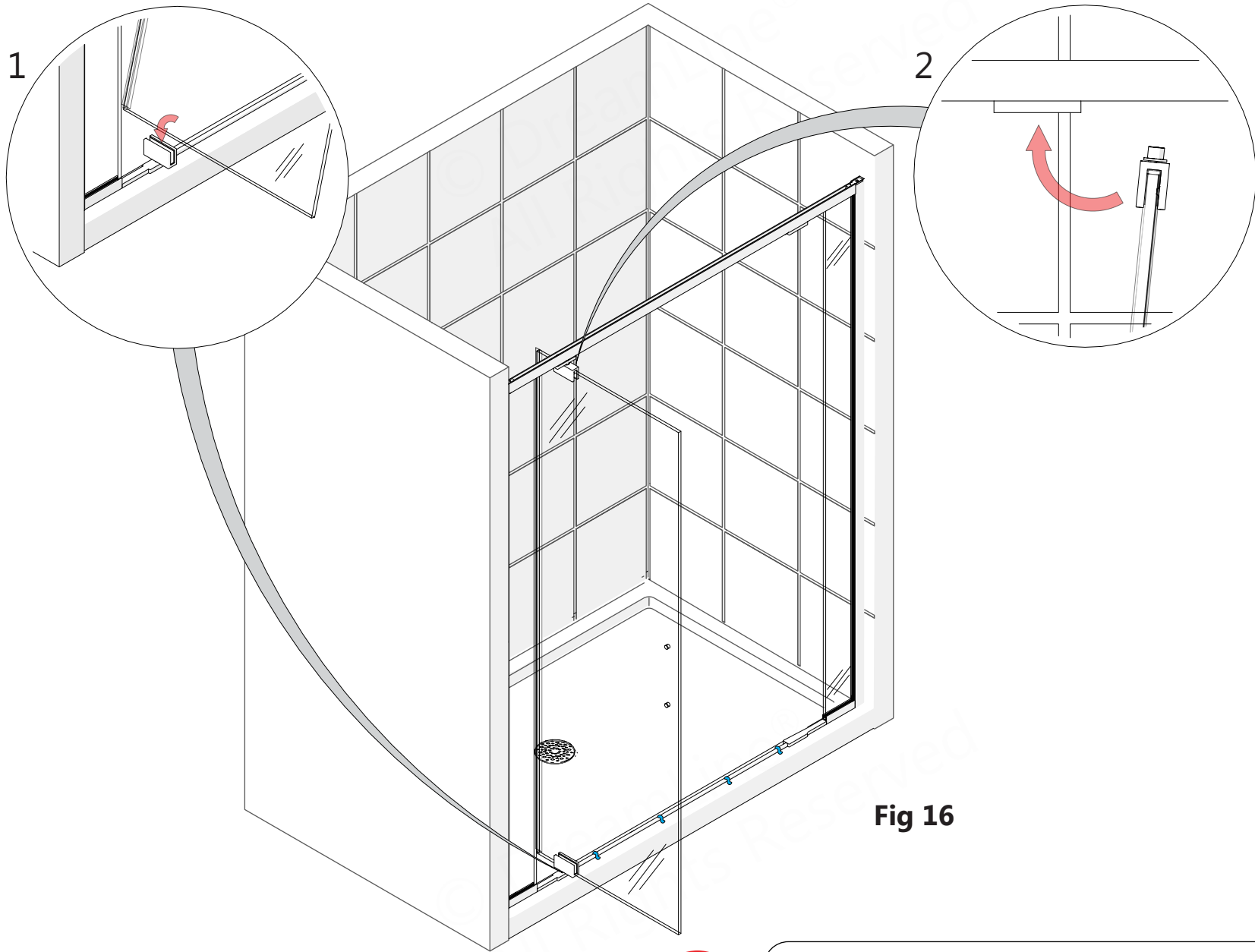


Fig 16



Slide the **Door Glass (#03)** into the **Bottom Pivot Assembly (#01) first**, then remount the **Top Pivot Assembly (#02)** into position. **Repeat Steps 13-16 for remaining Door Glass.**

17

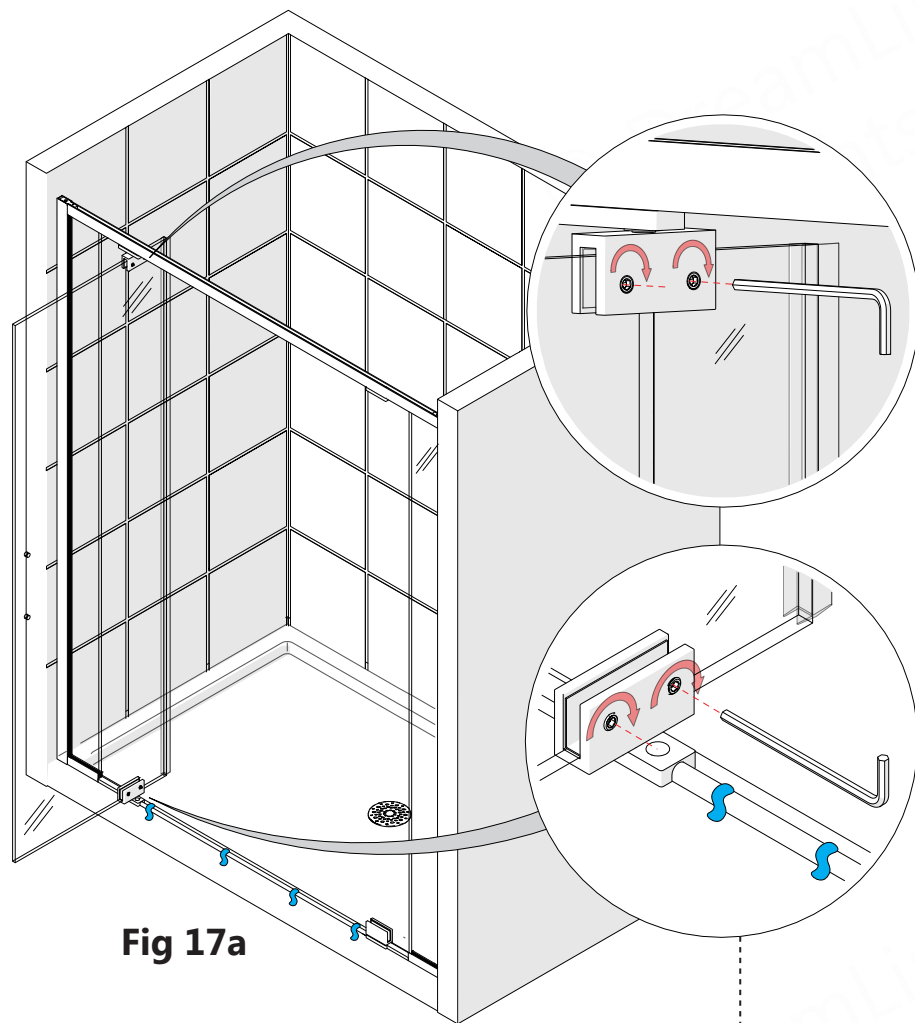


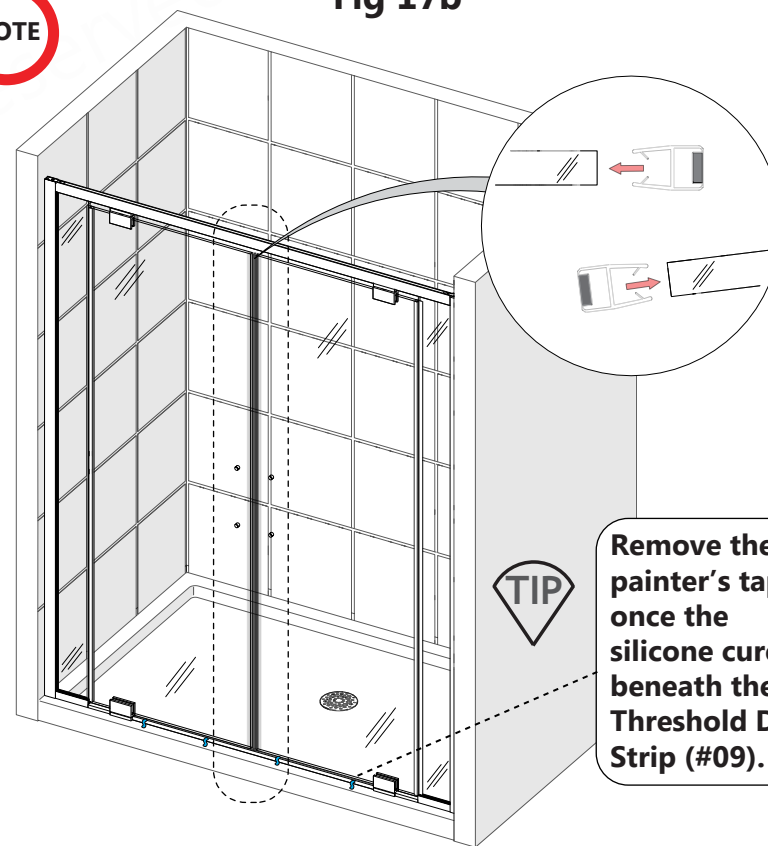
Fig 17a



Make sure that both pieces of **Door Glass (#03)** are fully seated into both the **Top (#02)** and **Bottom (#01) Pivot Assemblies** and the vinyl gaskets are present before tightening the rubber-tipped set screws! **Adjustments to the doors may be required to verify the doors meet up at the marked line on the center of the Threshold Dam Strip (#09) performed in Step 7. Fig 17a**



Fig 17b

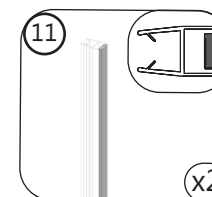


TIP
Remove the painter's tape once the silicone cures beneath the Threshold Dam Strip (#09).

Press and secure each **Magnetic Vinyl Strip (#11)** tightly to the strike side of both doors and ensure a tight seal is created when in the closed position.

Confirm the vinyls are tightly snapped onto the glass from top to bottom.

Parts Needed

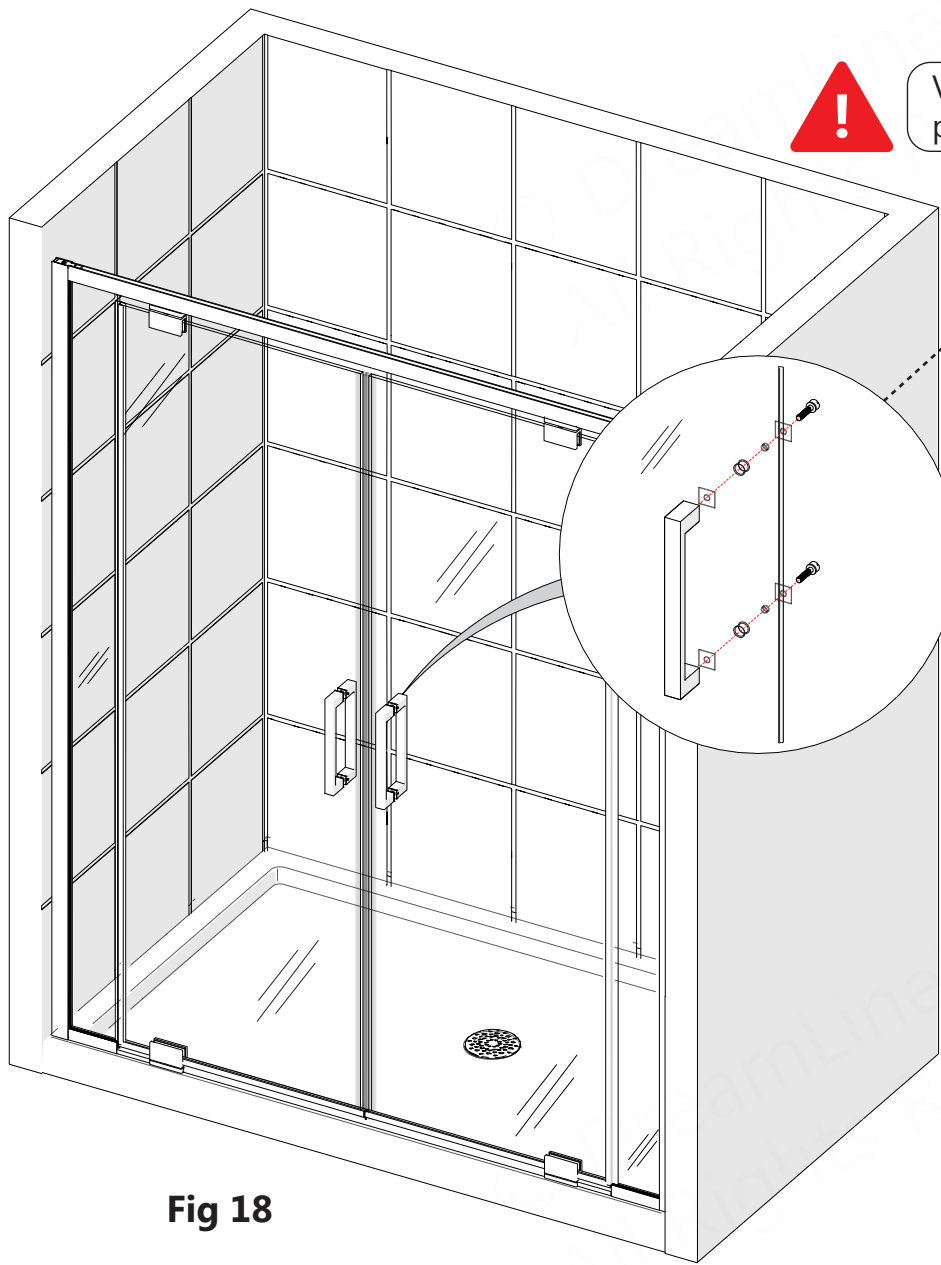


Tools Needed



18

Back-to-Back Handle Installation



Verify the vinyls for the **Handle (#07)** are present to prevent metal-to-glass contact with the **Door Glass (#03)**.

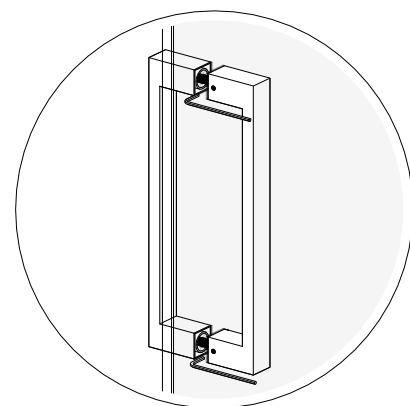
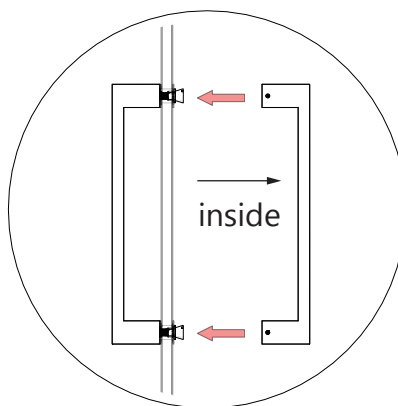
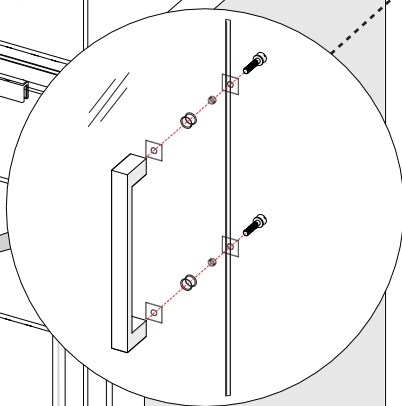
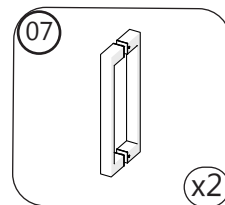


Fig 18



Tighten all four **Handle (#07)** set screws to ensure the handle is secured to each lite of **Door Glass (#03)**. **Fig 18**

Parts Needed



Tools Needed



19

Bottom Sweep Vinyl Installation

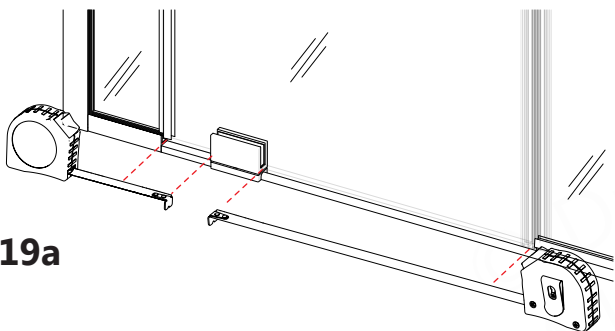


Fig 19a

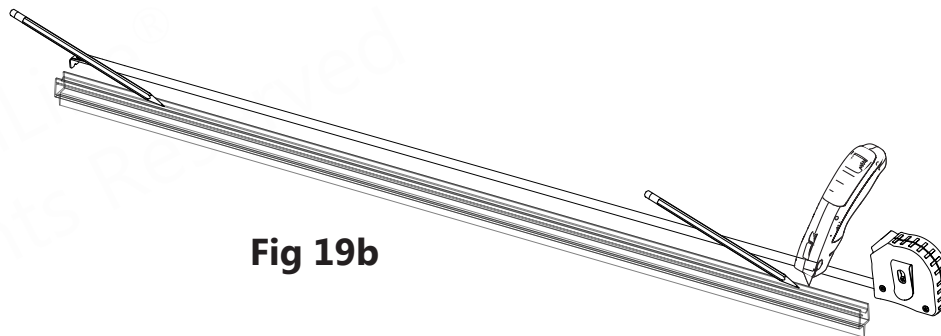


Fig 19b

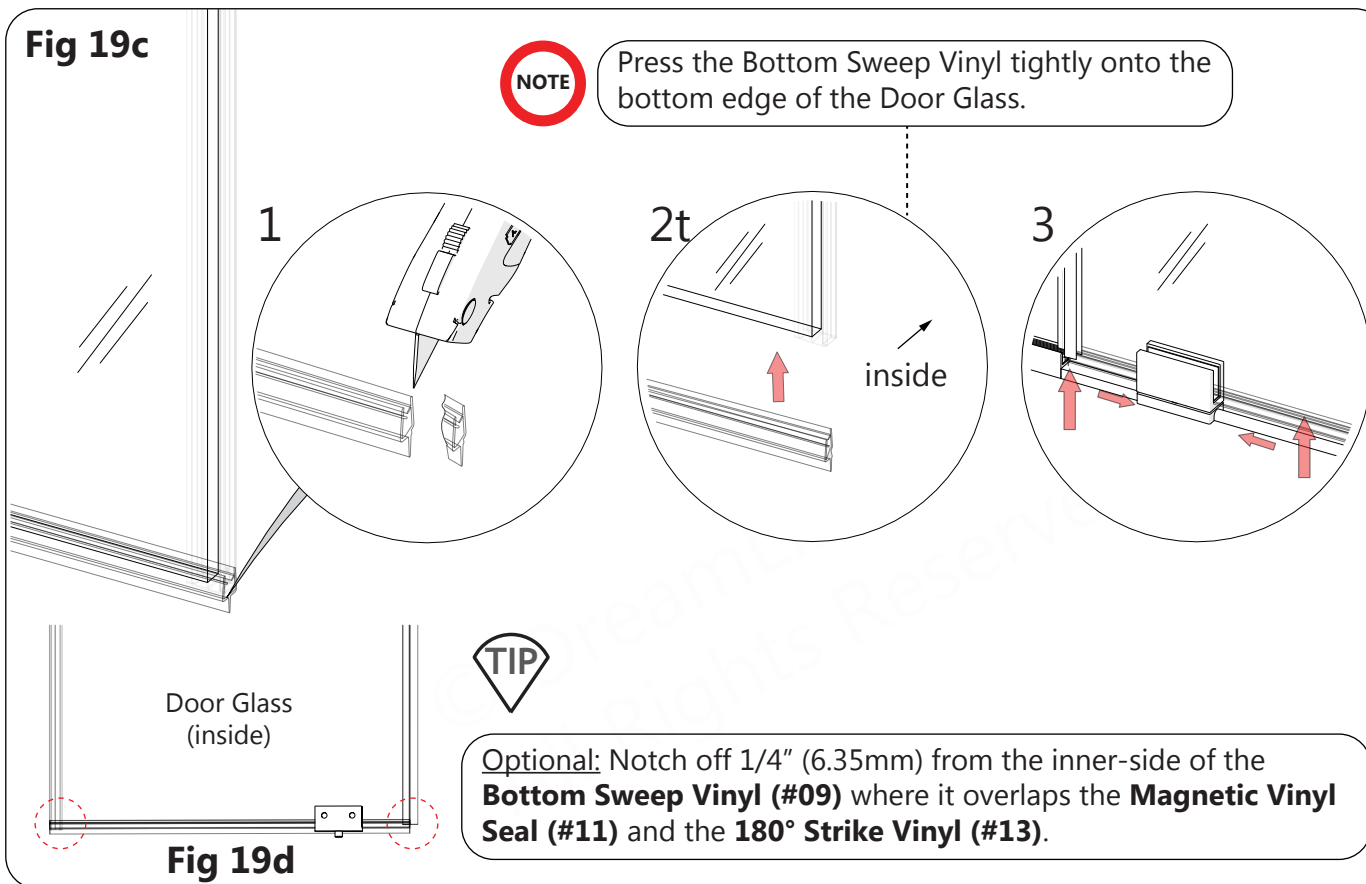
NOTE

Each supplied **Bottom Sweep Vinyl (#09)** needs to be cut into two pieces per **Door Glass (#03)**. Measure from the edge of the door to the **Bottom Pivot Assembly (#01)** glass bracket edge; then, from the edge of the **Bottom Pivot Assembly (#01)** glass bracket edge to the adjacent edge of the Door Glass where it meets the **Inline Panel Glass (#04)**. **Fig 19a-b**

Fig 19c

NOTE

Press the Bottom Sweep Vinyl tightly onto the bottom edge of the Door Glass.



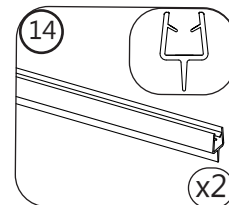
Door Glass (inside)

Fig 19d

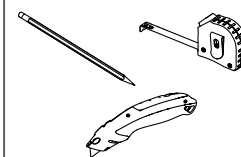
TIP

Optional: Notch off 1/4" (6.35mm) from the inner-side of the **Bottom Sweep Vinyl (#09)** where it overlaps the **Magnetic Vinyl Seal (#11)** and the **180° Strike Vinyl (#13)**.

Parts Needed



Tools Needed



20

Decorative Cover Installation

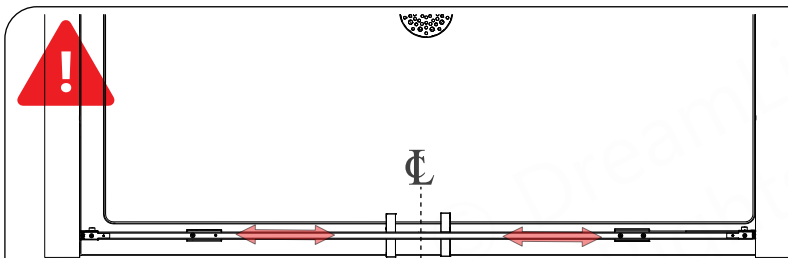


Fig 20a

Make final adjustments first, before securing the **Glass (#05)** and **Wall (#06) Profiles** together. Confirm the door is operating smoothly and the **Magnetic Vinyl Seals (#11)** connect evenly from top to bottom when the door is in the closed position. If necessary, move and center the unit using the centerline marked onto the threshold and **Threshold Dam Strip (#09)** to ensure the doors are closing at the marked midpoint.

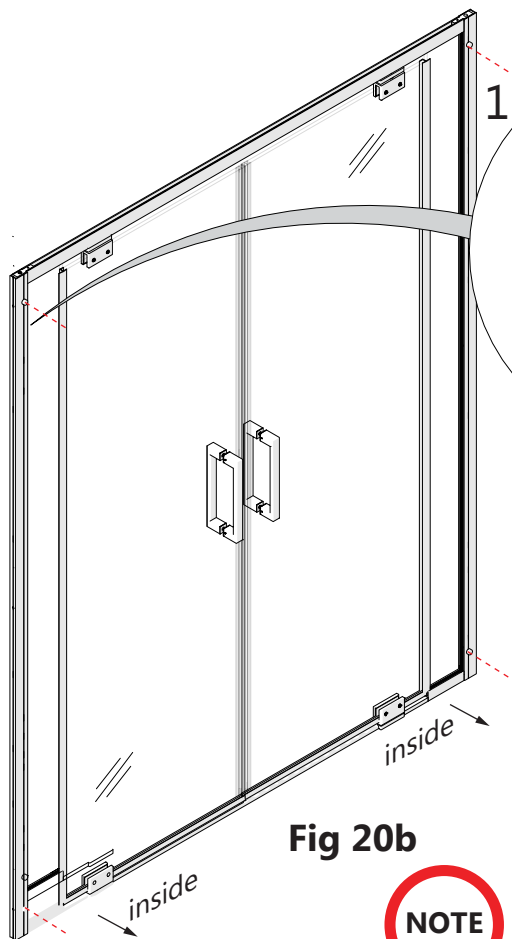
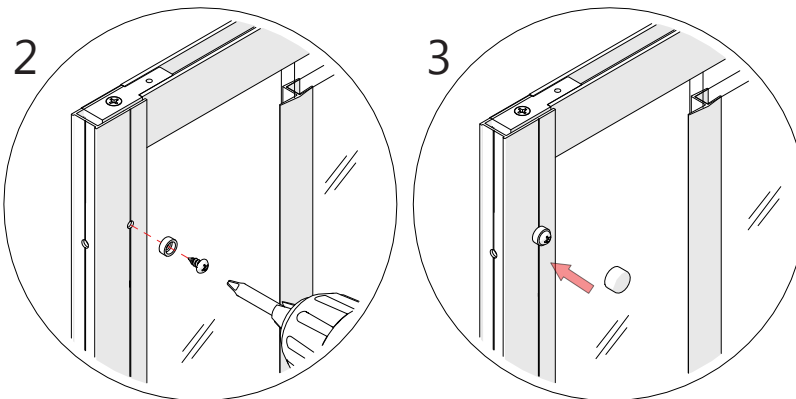


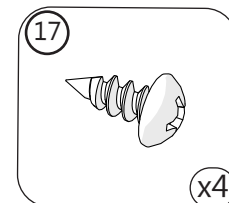
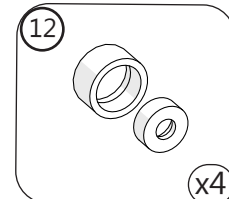
Fig 20b



Only drill through the first layer of the **Glass Profiles (#05)** using an **Ø1/8"** drill bit. **Fig 20b**



Parts Needed



Tools Needed



21

NOTE

The surfaces need to be clean and free of debris before applying silicone along the entire interior perimeter.

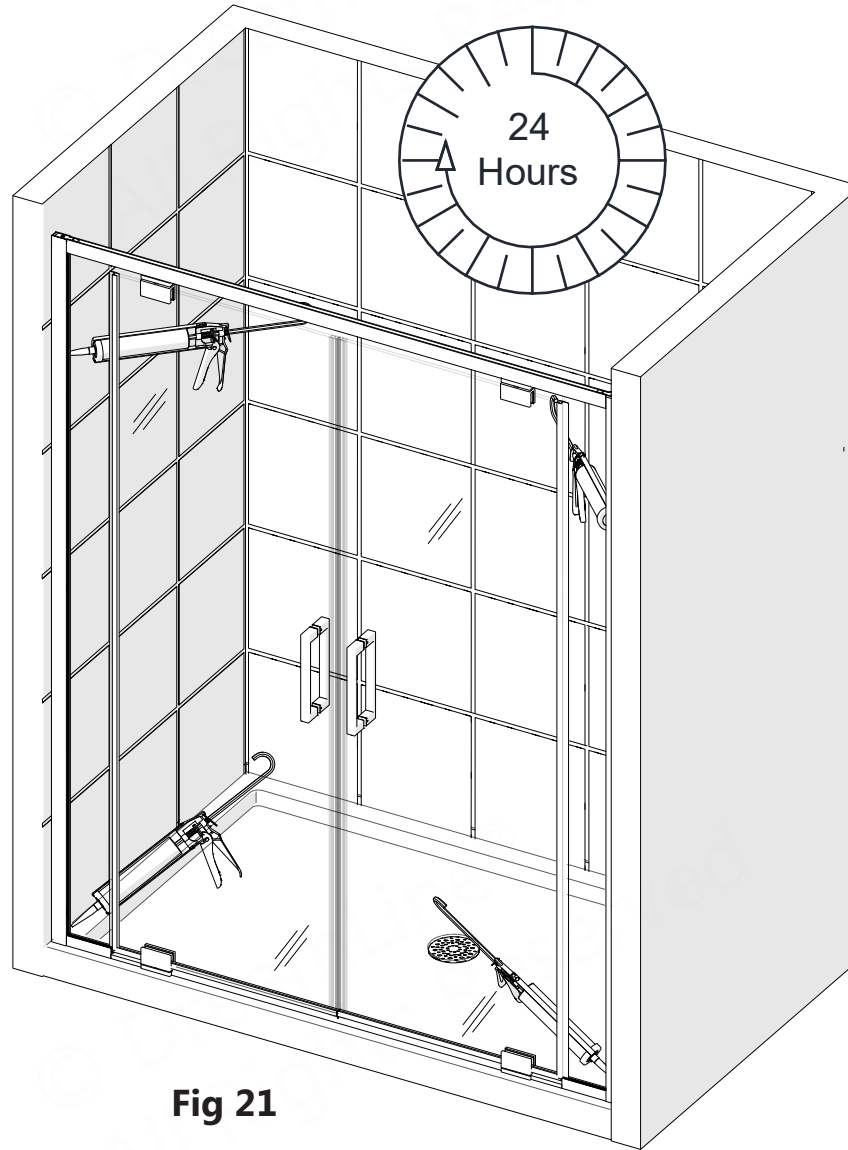
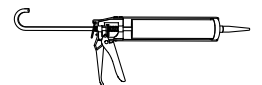


Fig 21



Allow 24 hours for the silicone caulk to cure before using the shower.

Tools Needed



Product Maintenance

BASES and BACKWALLS: To ensure long-lasting life for your acrylic back walls: wipe them off after each use with a soft cloth. To clean the acrylic back walls use non-abrasive sprays or cream based cleaners. Avoid the use of aerosol spray cleaners. Never use abrasive cleansers, metal brushes or scrapers that could permanently scratch or dull the surface.

GLASS: To ensure long-lasting life for your glass shower products: wipe them off after each use with a soft cloth. Rinse and wipe off the glass using either a soft cloth or a squeegee to prevent soap buildup and water spots (Hard water can etch the surface of the glass over time if left to dry). To prevent scratching the surface: never use abrasive cleaners or cleaning products that contain scouring agents. Never use bristle brushes or abrasive sponges that may scratch the surface of the glass.

HARDWARE: To ensure a long-lasting finish: wipe off all metal parts after each use with a soft cloth. Do not use abrasive cleaners or cleaning products containing ammonia, bleach or acid. If accidentally used, rinse the surface as soon as possible to prevent damage to the finish (peeling or corrosion). After cleaning the polished finishes, rinse thoroughly and wipe dry with a soft clean cloth.

Clean stainless steel surfaces at least once a week. When applying stainless steel cleaner or polish to stainless steel hardware, work with the grain (not across the grain). Never use an abrasive sponge or cloth, steel wool or wired brush as these may permanently scratch the surfaces.



To maximize the life of your door, it is important to regularly inspect the glass and other hardware for misalignment, proper attachment, and/or damage. Contact DreamLine® with any questions or concerns.

TERRACE Maintenance Checklist

- Check that the unit is stable, operates smoothly and that installation is secure.
- Confirm that all screws/bolts are tight.
- Confirm that all vinyl seals are intact (replace if missing or damaged to prevent water leakage.)
- Inspect exposed and concealed glass edges for damage (**damaged glass must be replaced!**)
- Inspect silicone caulk for gaps. Replace silicone as necessary to prevent water leakage.

Troubleshooting

| Problem/Symptom | Suggested Solution | Page(s) |
|--|--|---------|
| Missing Parts | <ul style="list-style-type: none"> •Check all shipping/packaging material for missing parts/components. •If not found, contact DreamLine Customer Support [1-866-731-2244] to order factory part replacement. | — |
| Door Glass (#03) does not close flush with the 180° Strike Vinyl (#13) and Inline Panel Glass (#04) . | <ul style="list-style-type: none"> •Inspect the 180° Strike Vinyl (#13) and ensure the orientation of the vinyl is correct. •Check that the 180° Strike Vinyl (#13) is installed correctly so the Door Glass closes flush with the vinyl. •Check that the reveal between the door and the strike vinyl is consistent/even. Use a level and adjust as necessary. | 24; 26 |
| Magnetic Vinyl Seal (#11) binds when the Door Glass (#03) is operating in the closed position. | <ul style="list-style-type: none"> •Confirm both lites of Door Glass (#03) are properly aligned within the Pivot Assembly brackets (#01/02) in relation to both Inline Panels (#04) •The Door Glass (#03) may be shifted too far towards the middle of the threshold, causing the magnetic vinyls to bind. Confirm the exact middle of the threshold and make adjustments as necessary. | 25-27 |
| Door Glass (#03) tilts, shakes or rattles during operation | <ul style="list-style-type: none"> •Inspect the Top (#02) and Bottom (#01) Pivot Assemblies to confirm all vinyls are present and screws are tight and snugly secures the assembly to the glass. •Confirm the Top Pivot Assemblies (#02) are secured correctly into the Top Guide Rail (#15); confirm the Bottom Pivot Assemblies (#01) are secured correctly into the Bottom Pivot Assembly (#01) and/or Bottom Profile H-Channel (#10). Note: the inspection of the Bottom Profile H-Channel (#10) being properly secured to the Bottom Pivot Assembly requires removal and re-installation. •Inspect Door Glass (#03) and confirm the glass sits properly and is aligned within the pivot assembly glass brackets. Then, inspect the top and bottom Pivot Assemblies (#01/02) and make sure the vinyls are present and pivot assembly set screws are properly tightened and secure. •Confirm the Glass (#05) and Wall (#06) Profiles are secured tightly together with the Decorative Caps and Washers (#12) and ST4.0×10mm Pan Head Screws (#17). | 27; 30 |
| Leakage: beneath the Bottom Profile H-Channel (#10) and/or Threshold Dam Strip (#09) | <ul style="list-style-type: none"> •Confirm that all screws are tightly secured to the threshold. •Inspect the silicone and ensure that a complete application of silicone has been applied. Allow 24 hours for the silicone to cure before using the shower. | 19-20 |



Prior to contacting DreamLine® Customer Service, please have the following information readily available:

- Purchase Order Information
 - Name, PO Number, Dealer/Vendor Name, etc.
- SKU/Model Number (see Pages 8; 34)
- Factory Part Information (see Page 34)

Factory Parts Information

| TERRACE {SDTR58W720} | | FACTORY PARTS INFORMATION | |
|----------------------|--|---|--------|
| ITEM # | FACTORY PART NUMBER | ITEM DESCRIPTION | QTY |
| 01 | 0742 1 061 / 0742 4 061 / 0742 6 061 / 0742 9 061 | Bottom Pivot Assembly | 2 pcs. |
| 02 | 0742 1 062 / 0742 4 062 / 0742 6 062 / 0742 9 062 | Top Pivot Assembly | 2 pcs. |
| 03 | 010052002 | Door Glass | 2 pcs. |
| 04 | 010052001 | Inline Panel Glass | 2 pcs. |
| 05 | 042640 1 1-1819 / 042640 4 1-1819 / 042640 6 1-1819 / 042640 9 1-1819 | Glass Profile for 10mm (3/8 in) Glass | 2 pcs. |
| 06 | 042630 1 1-1829 / 042630 4 1-1829 / 042630 6 1-1829 / 042630 9 1-1829 | Wall Profile for 10mm (3/8 in) Glass | 2 pcs. |
| 07 | 0722 1 042 / 0722 4 042 / 0722 6 042 / 0722 9 042 | Back-to-Back 8 in. Square Handle Assembly for 10mm (3/8 in) Glass | 2 pcs. |
| 08 | 07020246 | L-Bracket | 4 pcs. |
| 09 | 041000 1 1-0857 / 041000 4 1-0857 / 041000 6 1-0857 / 041000 9 1-0857 | Threshold Dam Strip | 1 pc. |
| 10 | 042620 1 1-0115 / 042620 4 1-0115 / 042620 6 1-0115 / 042620 9 1-0115 | Bottom Profile H-Channel | 2 pcs. |
| 11 | 062052100-1755 | Magnetic Vinyl Seal | 2 pcs. |
| 12 | 0755 1 011 / 0755 4 011 / 0755 6 011 / 0755 9 011 | Decorative Cover with Washer | 4 pcs. |
| 13 | 063010100-1752 | 180° Degree Inline Strike Vinyl Seal for 10mm (3/8 in) Glass | 2 pcs. |
| 14 | 063011100-0580 | Bottom Sweep Vinyl for 10mm (3/8 in) Glass | 2 pcs. |
| 15 | 042610 1 1-1397 / 042610 4 1-1397 / 042610 6 1-1397 / 042610 9 1-1397 | Top Guide Rail | 1 pc. |
| 16 | 07552148 | Wall Anchor 8mm (5/16 in) | 6 pcs. |
| 17 | 091101 | ST4.0 x 10mm Pan Head Screw | 4 pcs. |
| 18 | 091107 | ST4.0 x 40mm Pan Head Screw | 6 pcs. |
| 19 | 07550178 | PVC Spacer 0.5mm | 2 pcs. |

BOLD digit indicates finish color:

1 = Chrome

6 = Oil Rubbed Bronze

4 = Brushed Nickel

9 = Satin Black

Contact Support@DreamLine.com for Part replacement, installation assistance or additional information.

Complete **Warranty** information is available on DreamLine.com.

NOTES

© DreamLine®
All Rights Reserved

© DreamLine®
All Rights Reserved



TEL: 866-731-2244
FAX: 866-857-3638
DREAMLINE.COM



For more information on DreamLine® Shower Doors and Enclosures please visit **DreamLine.com**