

ECOPOWER® Ultra High-Efficiency Toilet Flush Valve, 1.0 GPF

FEATURES

- 1.0 GPF
- Self-powered hydroelectric flush valve system
- No minimum daily usage requirement
- 4" x 4" stainless steel cover plate with brushed satin finish and solid bronze valve body
- Self-cleaning piston valve with 360° filter screen
- Neutral rough-in and adjustable tail piece connection
- Manual flush override
- Smart sensor with self-adjusting detection range
- 6 second detection time to prevent ghost flushing
- Concealed flush valve with 1" angle stop and 1-1/2" vacuum breaker set
- Contributes to earning credits in LEED®
- Protects trap seal with a maintenance flush if not used in a 24 hr period
- IoT-enabled options available to remotely monitor usage rates, water consumption, fixture performance and streamline operations in real time with instant alerts



OPTIONAL ACCESSORIES

- **Z-4000-J**
Adapter for ground joint angle stops

COLORS/FINISHES

- #SS Stainless Steel

MODELS

| Kit Options | Component Breakdown | | |
|----------------------|---------------------|---------------------------|----------|
| | Flush Valve | Vacuum Breaker Set | IoT Card |
| TET3UBi31#SS | TET3UBi#SS | VB1331R#RB (back spud) | * |
| TET3UBi32#SS | TET3UBi#SS | VB0932R#RB (top spud) | * |
| TET3UBi4#SS | TET3UBi#SS | | THP3566 |
| TET3UBi431#SS | TET3UBi#SS | VB1331R#RB (back spud) | THP3566 |
| TET3UBi432#SS | TET3UBi#SS | VB0932R#RB (top spud) | THP3566 |

*Requires communication card (sold separately) for IoT functionality

PRODUCT SPECIFICATION

TOTO® Model No. _____ Product shall be 1.0 GPF. Product shall be an automatic infrared sensor-activated, toilet flush valve. Product shall use hydropower, ECOPOWER flush valve system. Product shall have 4" x 4" cover plate with brushed stainless steel finish and solid bronze valve body. Product shall have smart sensor with self-adjusting detection range. Product shall have neutral rough-in and adjustable tail piece connection. Product shall have manual flush override. Product shall have 6 second detection time to prevent ghost flushing. Product shall have piston with debris screen and solenoid with self-cleaning mechanism.

CODES/STANDARDS

- Meets or exceeds ASSE 1037/ASME A112.1037/CSA B125.37
- FCC compliant to Part 15
- Certifications: IAPMO(cUPC), EPA WaterSense, State of Massachusetts, and others
- Code Compliance: UPC, IPC, NSPC, NPC Canada, and others
- ADA compliant
- Complies with CA Prop 65 warning requirements
- Complies with CA Title 20 regulations and CalGreen when paired with a water closet which has an equivalent water consumption.



TET3UBi Series

ECOPOWER® Ultra High-Efficiency Toilet Flush Valve, 1.0 GPF

SPECIFICATIONS

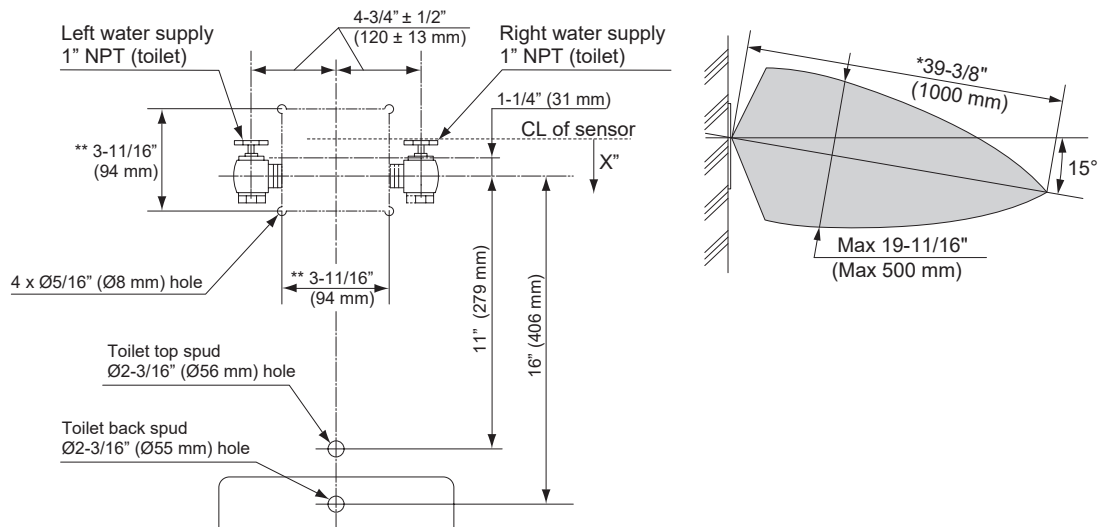
| | |
|--------------------------------|--|
| Material | Bronze casting |
| Power Supply | ECOPOWER |
| IoT Capacity | IoT-Enabled |
| Sensor Detection Time | Factory setting at six (6) seconds minimum |
| Sensor Detection Range | Self-adjusting to environment |
| Discharge Quantity | Preset to 1.0 GPF / 3.8 LPF |
| Operating Temperature | 32-104°F (0-40°C) |
| Water Source | Tap water (Municipal Supply Only) |
| Water Supply Pressure | Min: 25 psi (flowing) Max: 125 psi (static) |
| Water Supply Connection | 1" NPT |
| Warranty | Three year limited |

*Water pressures over 80 psi are not recommended for most plumbing fixtures. Check your local plumbing code for details.

INSTALLATION NOTES

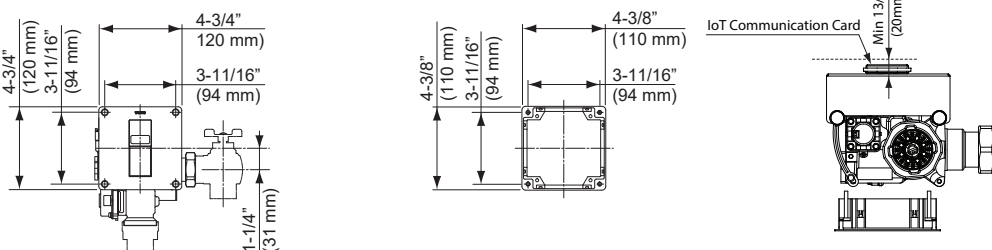
- For commercial applications only.
- Warning: Failure to properly adjust angle stop to the appropriate level can potentially cause property damage.
- For detailed installation instructions, please refer to the installation manual.
- Max flow rate to be used with TET3UBi_____: 1.0 GPF
- Confirm with local codes and standards for floor drain requirement. Adjust control stop for proper flow rate to the fixture.
- The flush valve must remain accessible for maintenance and service purposes. An access panel at least 12" x 12" or a walk-in chase is required.
- The flush valve requires a minimum of 7" (178mm) depth in the wall.
- Do not place grab bars in front of sensor for ADA stalls.
- For IoT installation, provide at least 13/16" (20mm) clearance between the face of the controller cover and any surrounding structure. Please refer to the diagram below.

DIMENSIONS



* X", ‡ = At least 5" clearance from sensor to tip of toilet seat up position or to top of grab bar is required to avoid false detection.

** Opening in wall



TOTO®

These dimensions and specifications are subject to change without notice