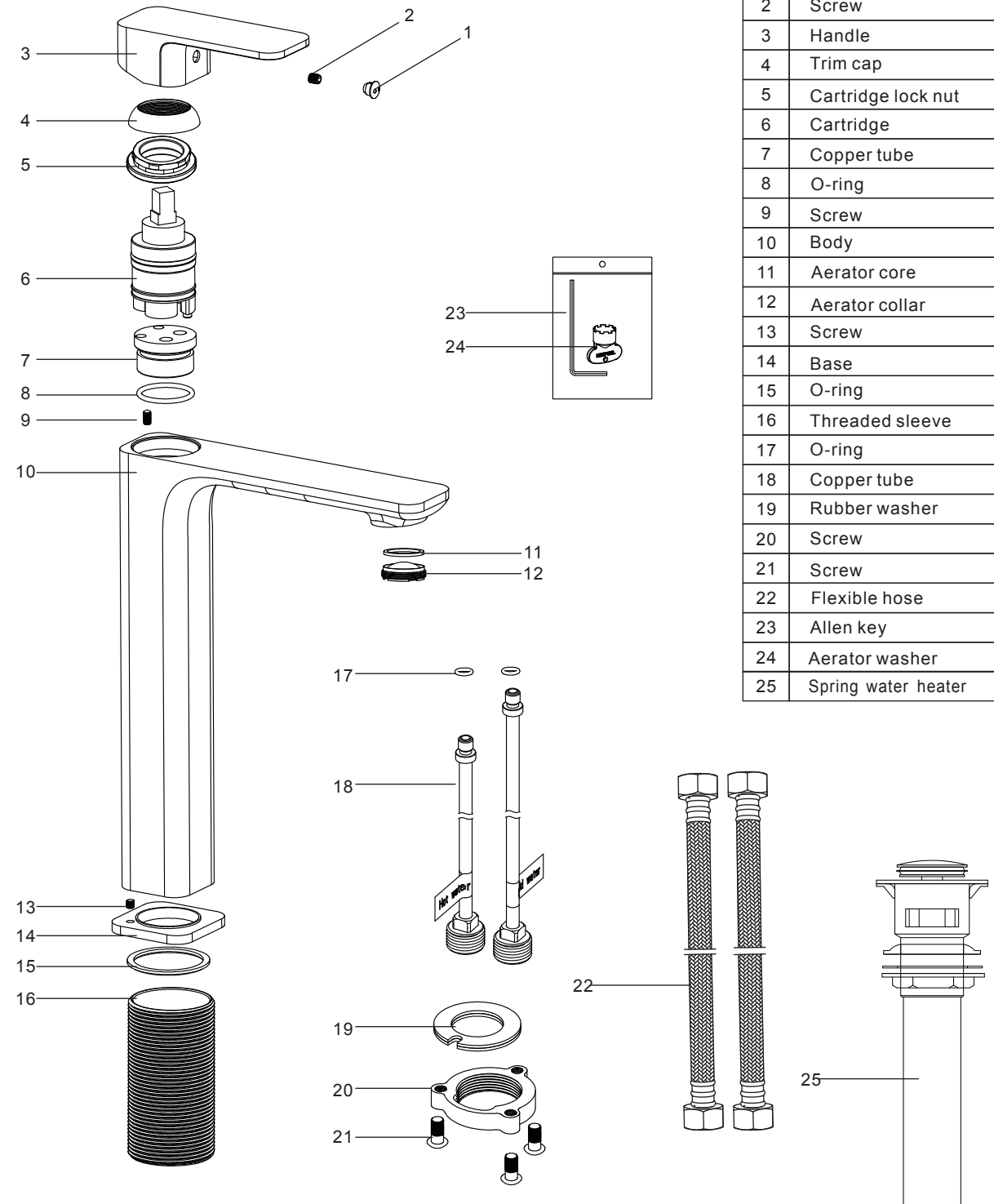
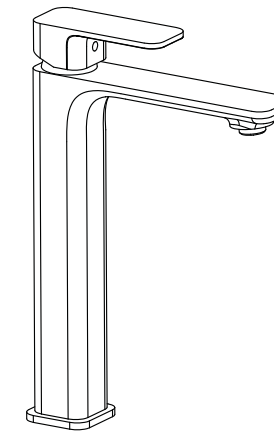


Step 4 Parts list



NO.	PART NAME
1	Index
2	Screw
3	Handle
4	Trim cap
5	Cartridge lock nut
6	Cartridge
7	Copper tube
8	O-ring
9	Screw
10	Body
11	Aerator core
12	Aerator collar
13	Screw
14	Base
15	O-ring
16	Threaded sleeve
17	O-ring
18	Copper tube
19	Rubber washer
20	Screw
21	Screw
22	Flexible hose
23	Allen key
24	Aerator washer
25	Spring water heater

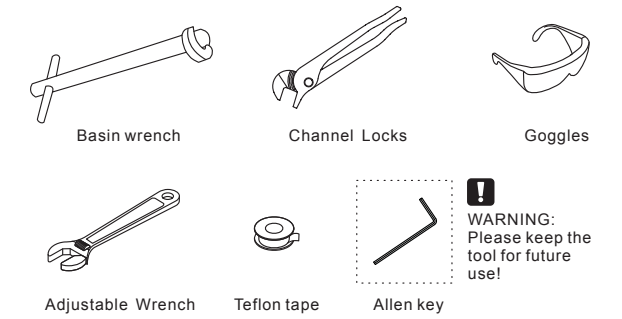


SINGLE HANDLE LAVATORY FAUCET



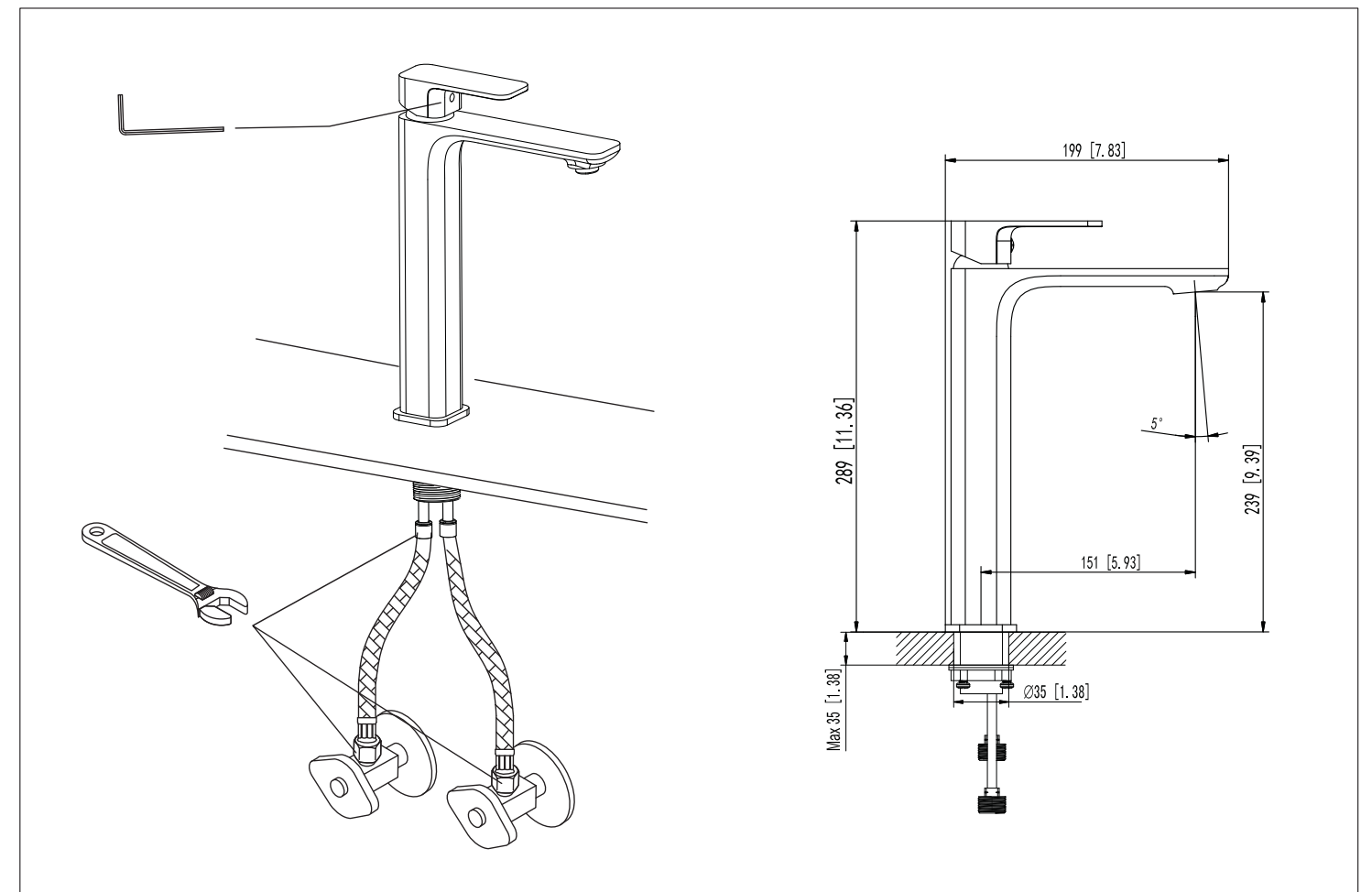
ASME A112.18.1/CSA B125.1

RECOMMENDED TOOLS

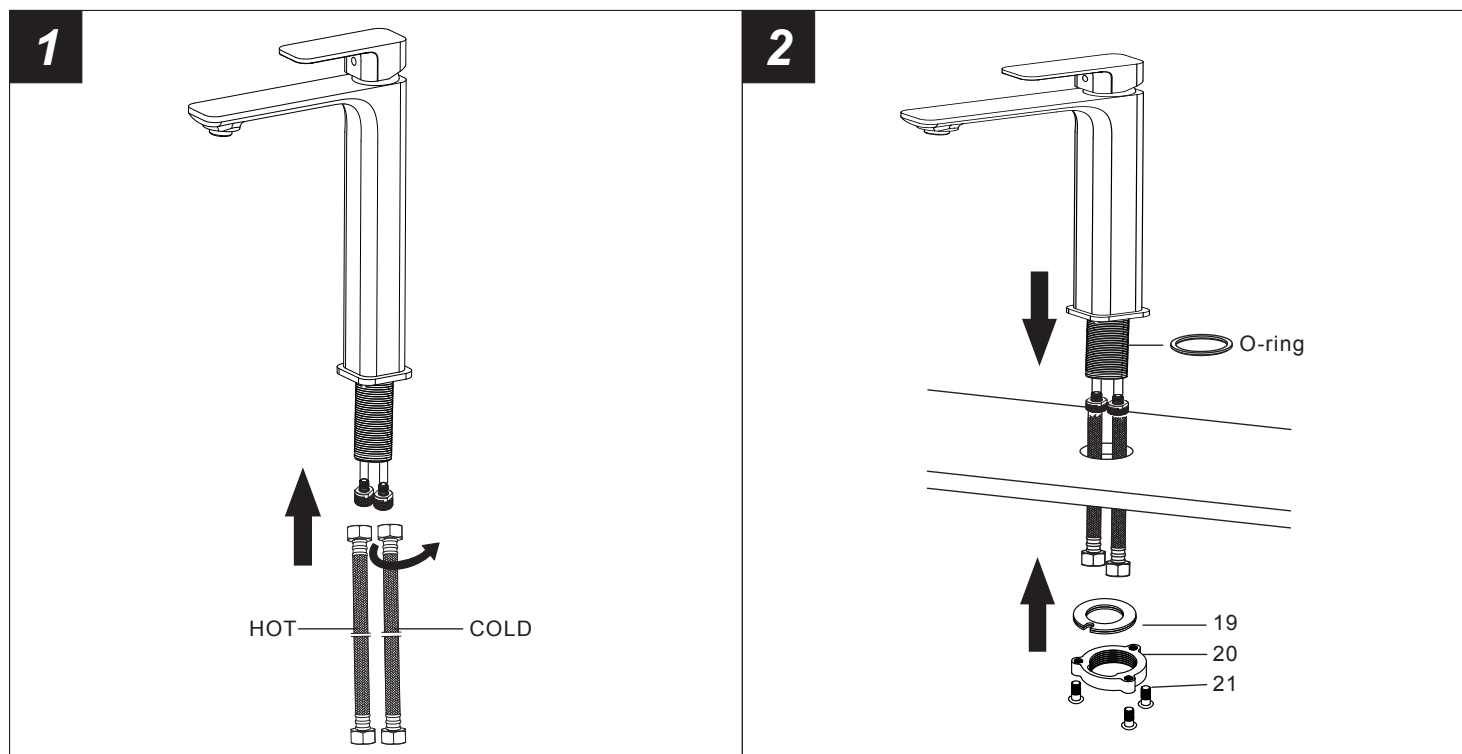


**Attention:**  
for easy installation, you will need:  
1. To read all the installation instruction completely before beginning.  
2. To read all the warning, attention and maintenance information.  
3. To purchase the proper supply lines.

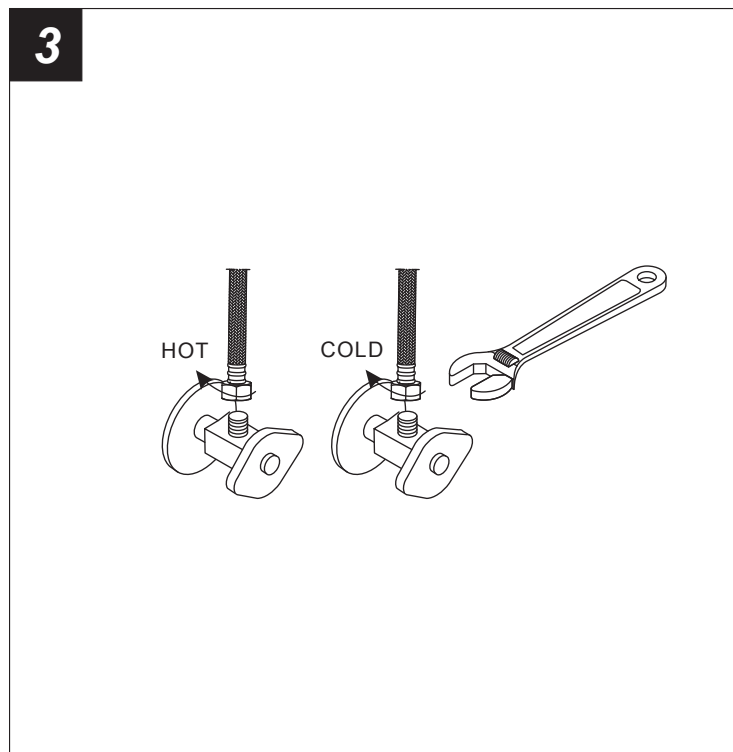
The tools might be applied to the following places:



## Step 1 Faucet installation



1. Assemble the 2 flexible hose and screw to the faucet by hand.
2. Put the faucet into the installation hole of the basin. Make sure o-ring be on the base of faucet.



3. Connect the flexible hose to water supply valve (not included), and tighten it with adjustable wrench.

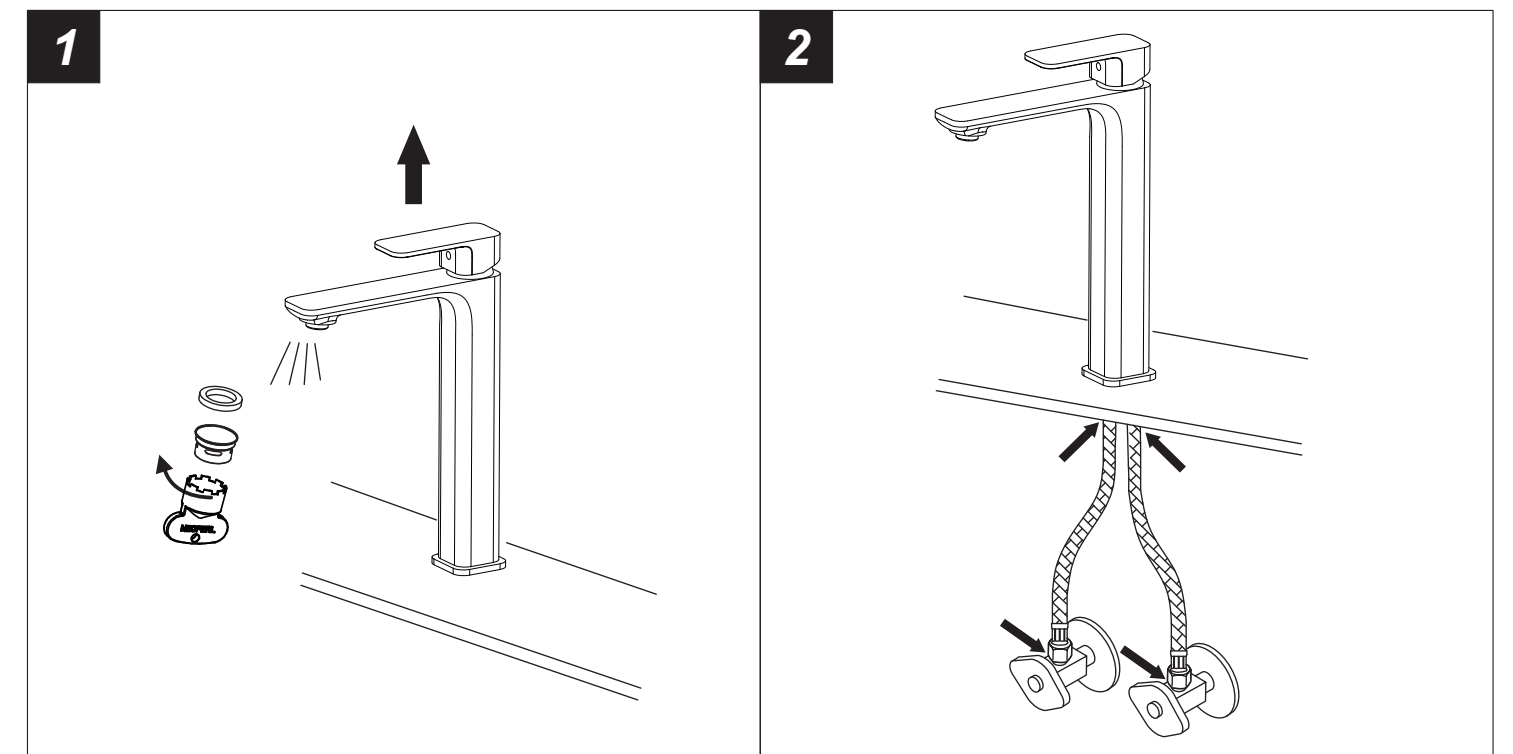
**DON'T OVER TIGHTEN!**

Caution: make sure connect the hot and cold flexible hoses to supply valves correctly.

**Warning:**

The supply valves are not included, please purchase them in plumb shop.

## Step 2 Checking and testing



1. Remove the aerator by hand. Turn the faucet handle all the way on, turn on hot and cold water supply and flush water lines for one minute. Reinstall aerator by Aerator washer.
2. Check all connections at arrows for leaks, re-tighten it if necessary. **BUT DON'T OVERTIGHTEN!**

## Step 3 Cleaning and care

Daily cleaning and care are required in order to keep the product shining and properly working.

- 1 Clean it with water and dry it with soft cloth.
- 2 Clean the product with gentle liquid or glass cleaner.
- 3 Don't use acid cleaner.
- 4 Don't clean with abrasive material, abrasive paper or knife.



# ANZZI VESSEL SINK FAUCET

## VESSEL SINK FILLER

