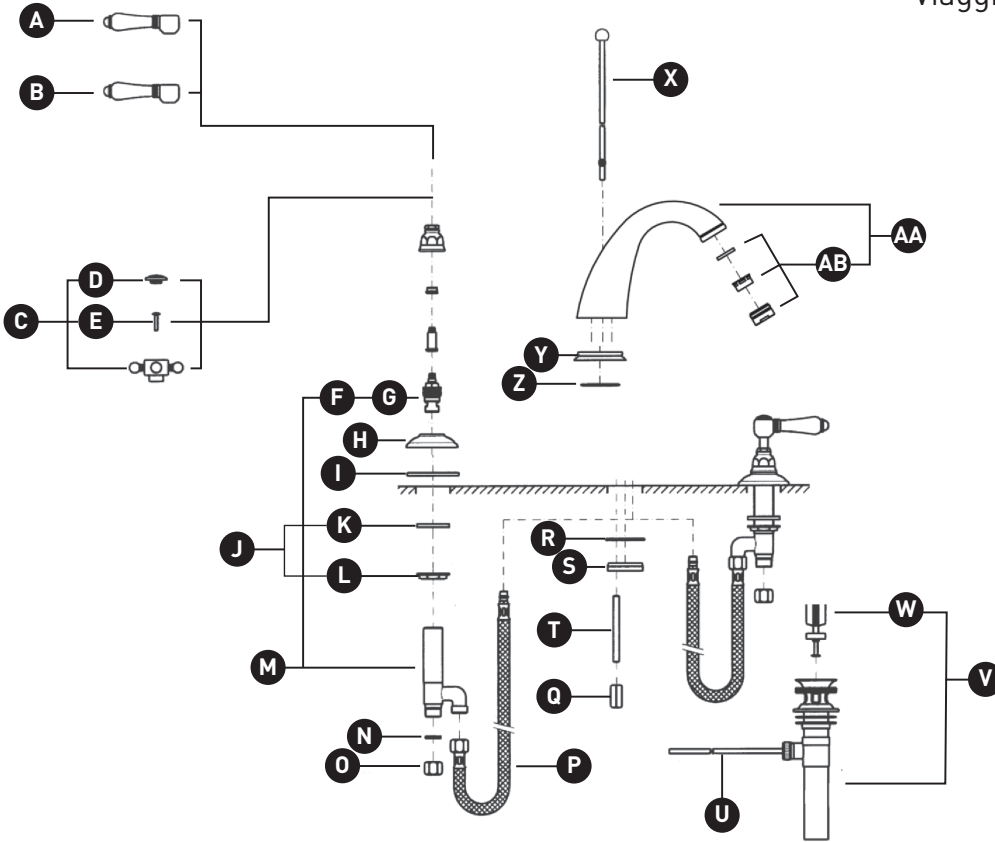


ORDER BY PART NUMBER

## ILLUSTRATED PARTS

### A2108

Viaggio® Widespread Lavatory Faucet



ID	Kit Number	Finish
A*	C7669M	See below
B*	C7678P	See below
C*	C7670XM	See below
D*	C7672P	See below
E	C7550/316	N/A
F	C7075-1	N/A
G	C7075-2	N/A
H*	C7224	See below
I	C7586.105	N/A
J	NZSDVLVKIT	N/A
K	C7582	N/A
L	C7260.26	N/A
M	C7419.CD	N/A
N	C7573	N/A
O	C7061	N/A
P	C7089LAV	N/A
Q	C7260.7	N/A
R	C7585.10	N/A
S	C7282PF	N/A
T	C7555	N/A
U	C7325	N/A
V	C7324	N/A
W	C7324/2	N/A
X*	C7315	See below
Y*	C7237	See below
Z	C7586.89	N/A
AA	C2108	N/A
AB*	C7083	See below

**\*Finish Determined by Suffix**

Finish	Description
APC	Polished Chrome
IB	Italian Brass
PN	Polished Nickel
STN	Satin Nickel
TCB	Tuscan Brass

For warranty or additional information, contact:

U.S.A.  
houseofrohl.com/support  
1-800-777-9762

QUEBEC / MARITIMES / WESTERN CANADA  
QUÉBEC / MARITIMES / OUEST CANADIEN  
QUEBEC / MARITIMOS / CANADA OCCIDENTAL  
houseofrohl.ca/support  
1-866-473-8442

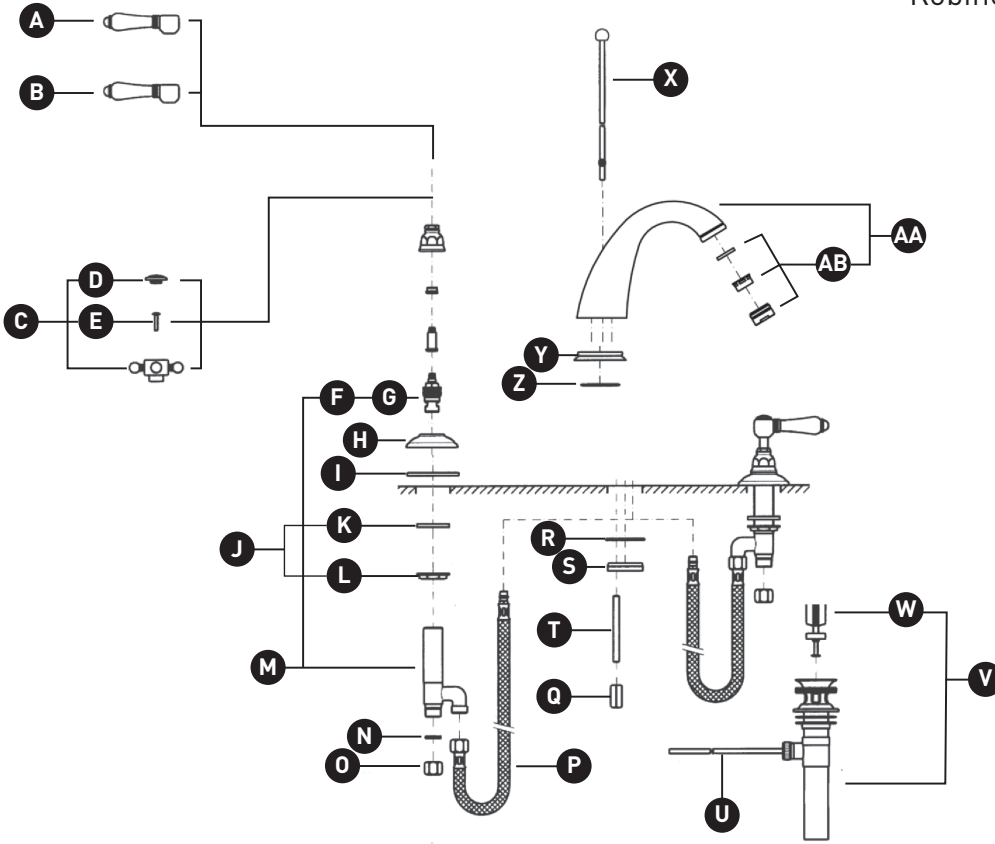
ONTARIO  
houseofrohl.ca/support  
1-800-287-5354

VEUILLEZ EFFECTUER VOTRE COMMANDE  
PAR NO DE RÉFÉRENCE

## ILLUSTRATIONS DES PIÈCES

### A2108

Robinet de lavabo 8'' bec bas Viaggio®



ID	Référence du kit	Finition
A*	C7669M	Voir ci-dessous
B*	C7678P	Voir ci-dessous
C*	C7670XM	Voir ci-dessous
D*	C7672P	Voir ci-dessous
E	C7550/316	N/A
F	C7075-1	N/A
G	C7075-2	N/A
H*	C7224	Voir ci-dessous
I	C7586.105	N/A
J	NZSDVLVKIT	N/A
K	C7582	N/A
L	C7260.26	N/A
M	C7419.CD	N/A
N	C7573	N/A
O	C7061	N/A
P	C7089LAV	N/A
Q	C7260.7	N/A
R	C7585.10	N/A
S	C7282PF	N/A
T	C7555	N/A
U	C7325	N/A
V	C7324	N/A
W	C7324/2	N/A
X*	C7315	Voir ci-dessous
Y*	C7237	Voir ci-dessous
Z	C7586.89	N/A
AA	C2108	N/A
AB*	C7083	Voir ci-dessous

**\*Finition déterminée par le Suffixe**

Finition	Description
APC	Chrome poli
IB	Laiton italien
PN	Nickel poli
STN	Nickel satiné
TCB	Laiton toscan

For warranty or additional information, contact:

U.S.A.  
houseofrohl.com/support  
1-800-777-9762

QUEBEC / MARITIMES / WESTERN CANADA  
QUÉBEC / MARITIMES / OUEST CANADIEN  
QUEBEC / MARITIMOS / CANADA OCCIDENTAL  
houseofrohl.ca/support  
1-866-473-8442

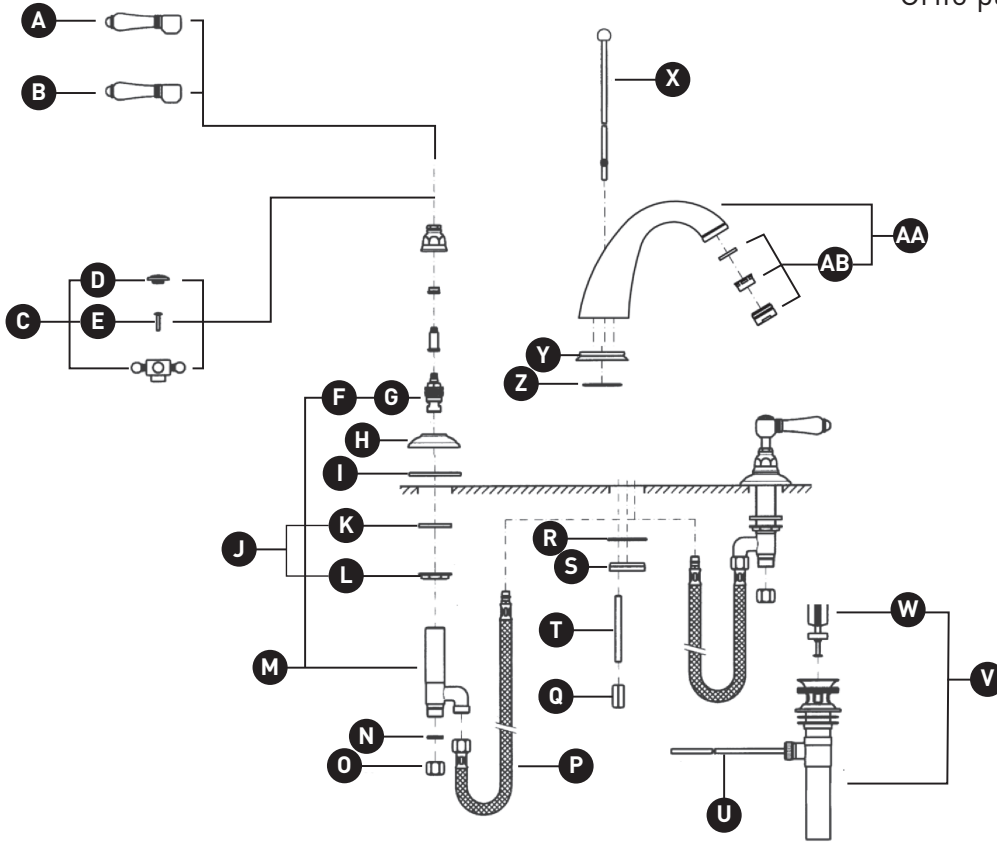
ONTARIO  
houseofrohl.ca/support  
1-800-287-5354

PEDIR POR NÚMERO DE REFERENCIA

## PIEZAS ILUSTRADAS

### A2108

Grifo para lavabo generalizado Viaggio®



ID	Referencia del kit	Acabado
A*	C7669M	Ver más abajo
B*	C7678P	Ver más abajo
C*	C7670XM	Ver más abajo
D*	C7672P	Ver más abajo
E	C7550/316	N/A
F	C7075-1	N/A
G	C7075-2	N/A
H*	C7224	Ver más abajo
I	C7586.105	N/A
J	NZSDVLVKIT	N/A
K	C7582	N/A
L	C7260.26	N/A
M	C7419.CD	N/A
N	C7573	N/A
O	C7061	N/A
P	C7089LAV	N/A
Q	C7260.7	N/A
R	C7585.10	N/A
S	C7282PF	N/A
T	C7555	N/A
U	C7325	N/A
V	C7324	N/A
W	C7324/2	N/A
X*	C7315	Ver más abajo
Y*	C7237	Ver más abajo
Z	C7586.89	N/A
AA	C2108	N/A
AB*	C7083	Ver más abajo

**\*Acabado determinado por el sufijo**

Acabado	Descripción
APC	Cromo pulido
IB	Latón italiano
PN	Níquel pulido
STN	Níquel satinado
TCB	Latón toscano

For warranty or additional information, contact:

U.S.A.  
houseofrohl.com/support  
1-800-777-9762

QUEBEC / MARITIMES / WESTERN CANADA  
QUÉBEC / MARITIMES / OUEST CANADIEN  
QUEBEC / MARITIMOS / CANADA OCCIDENTAL  
houseofrohl.ca/support  
1-866-473-8442

ONTARIO  
houseofrohl.ca/support  
1-800-287-5354