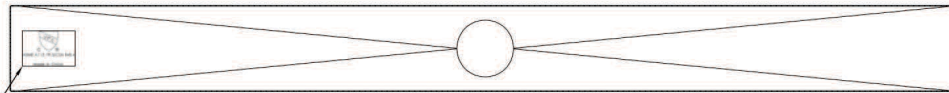
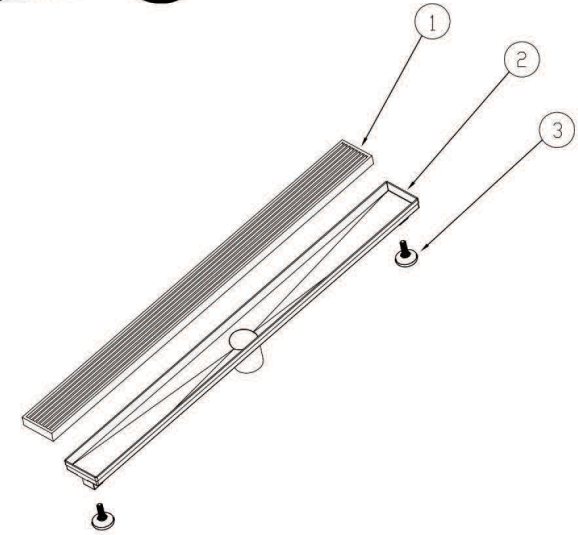
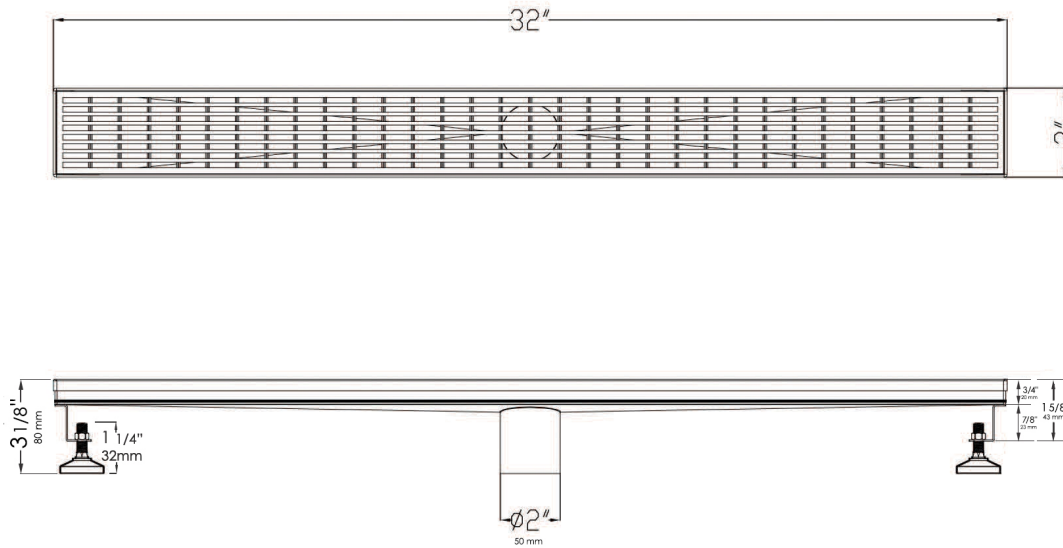
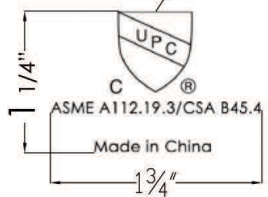


alpi

brand



SECTION A-A



NO	DESCRIPTION	QTY	MATERIAL	SIZE
1	Linear drain cover	1	SUS304	31 3/4" X 2 3/4" X 3/4"
2	Linear drain stand	1	SUS304	32" X 3" X 3/8" (18G)
3	mounting brackets	2	composite material	Ø1 3/8 x 1 3/4