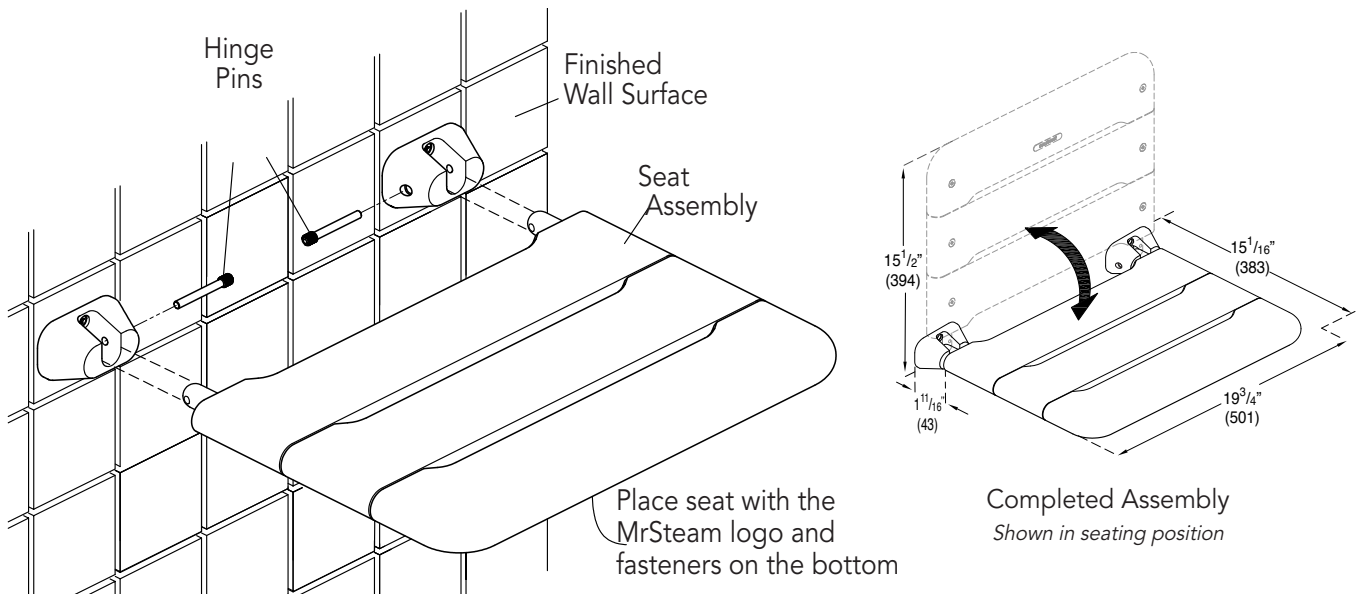


WallSeat



Box Content

- (2) Wall Brackets
- (2) Hinge Pins
- (1) Allen Wrench
- Installation Instructions & Mounting Template
- (4) #12 x 3in (76) Wood Screws
- (1) Seat Assembly
- Silicon Tube
- Teak wood, beautifully finished and sealed
- Seat drops for use, folds for storage
- Dimensions 19 3/4" W x 15 1/16" D x 13 3/8" H (501 x 383 x 35)
- Rated max 250 lbs (113kg).
- For use in any shower

CAUTION Contact with teak may result in skin irritation or allergic reactions. If you are allergic to teak use a towel to prevent direct contact with the seat.

FOR ILLUSTRATIVE PURPOSES ONLY. IMPORTANT NOTE: FOR SAFE AND TROUBLE FREE INSTALLATION

visit mrsteam.com before installation to download the Installation, Operation and Maintenance Manual or refer to the manual provided with the unit.

MODEL	FINISH	PROJECT INFORMATION	
MSWSEAT	<input type="checkbox"/> BN Brushed Nickel	Location:	Contractor:
	<input type="checkbox"/> PC Polished Chrome	Architect:	Submitted By:
	<input type="checkbox"/> PN Polished Nickel	Engineer:	Date:
	<input type="checkbox"/> SB Satin Brass		
Notes:			