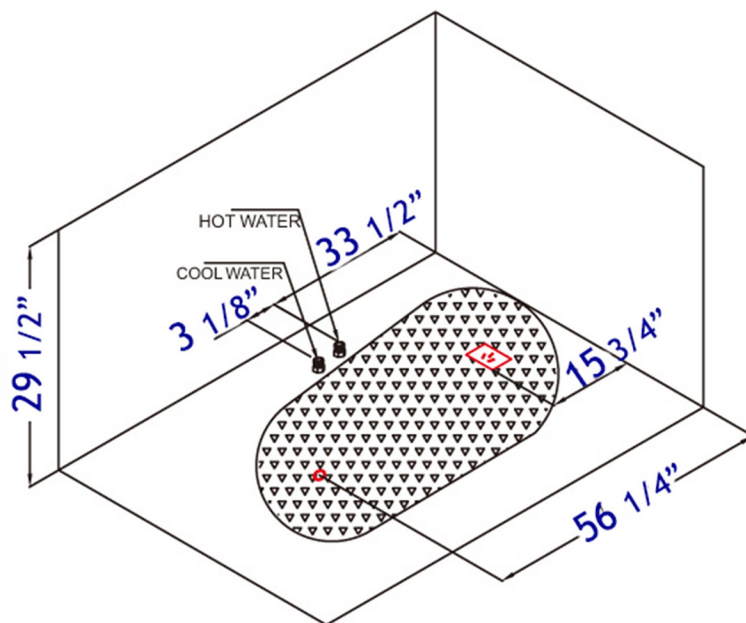
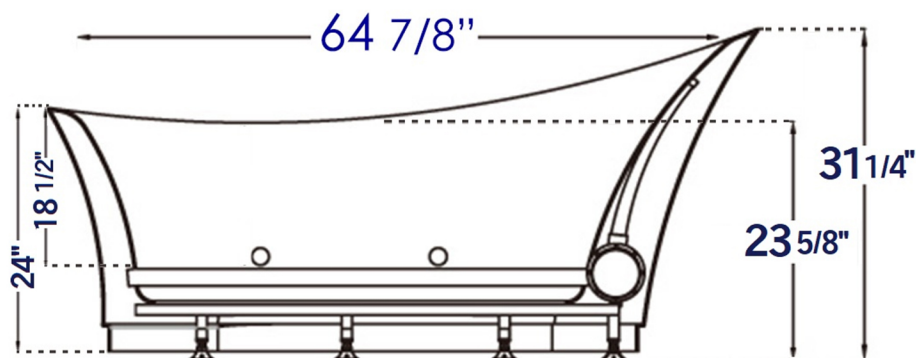


A: Drain    B: Air Holes    C: LED Lights    D: Control Panel



**Note:** All product dimensions are approximate and should be verified on site prior to installation.  
 Visit [www.EAGOUSA.com](http://www.EAGOUSA.com) for more information.