



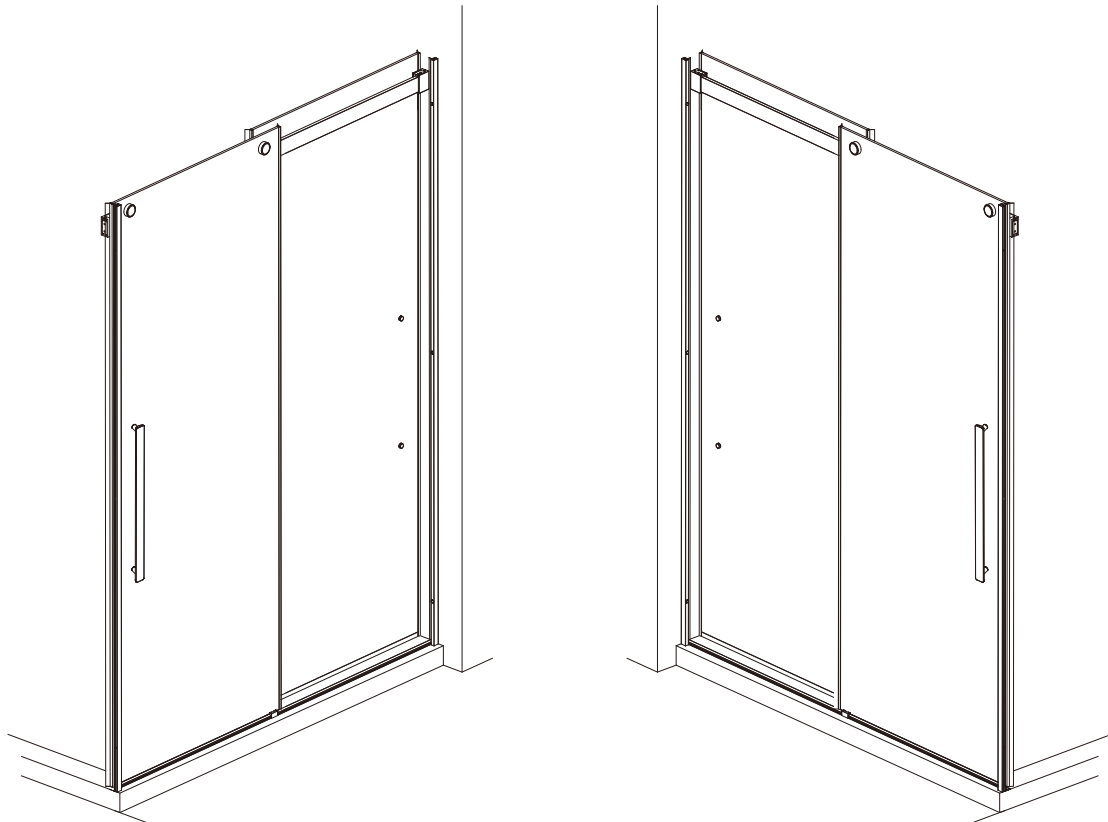
ANZZI®

ITEM: SD-FRLS05901**
SD-FRLS05902**

ANZZI GLASS SHOWER DOOR
INSTALLATION & OPERATION MANUAL

V2.6

02/28/2023



DON'T WAIT! REGISTER NOW!

Register your product within 90 days to ensure your product is recognized as an official purchase and is eligible for warranty coverage.

Mail in the completed registry card (Pg. 2) or register online at www.swcorp.com/register.



PRODUCT REGISTRATION*

IMPORTANT: YOUR WARRANTY WILL NOT BE RECOGNIZED UNLESS THIS CARD IS FULLY COMPLETED AND RETURNED OR ONLINE REGISTRATION IS COMPLETED.

To ensure that your warranty is registered and confirmed please do one of the following:

1. Register online at www.swcorp.com/register. You will be asked to fill out the same information you would in the registration card. Registering online is fast, secure and ensures we receive your information.
2. Complete, cut out and mail the registration card below. By returning this registration card we confirm the date of purchase for your new product. This confirmation will allow us to process any warranty claims.

Mail the card to: 5701 NW 35 Avenue, Miami, FL 33142



Product Registration Card

Name..... Address

City..... State..... Zip.....

Phone Email.....

Date of Purchase Order or Purchase # SKU or Model #

Installer's Name Phone

I have read the Owner's Manual carefully and understand and agree that any installation, operation or maintenance of the product must be done strictly in accordance with instructions and guidelines contained in the owner's manual and installation guide.

Signature..... Date.....

Need help? For technical support call 305-614-4070 or visit us at www.ANZZI.com



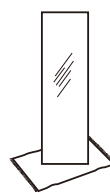
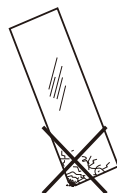
STOP!

**READ BEFORE YOU PROCEED!
TO KEEP GLASS FROM BREAKING, MAKE SURE:**

- 1. This product is heavy and requires two people to install.**
- 2. Glass corner protectors remain on during installation.**
- 3. Glass protective seals are mounted to the door before opening/closing.**
- 4. Glass panels are aligned & level with wall/floor.**
- 5. Slider must be installed correctly for smooth sliding.**

WARNING

PROTECTIVE EQUIPMENT MUST BE WORN WHEN HANDLING GLASS



INSTALLATION GUIDE

BEFORE YOU BEGIN

- Please check the product for damage and missing parts immediately upon delivery. Damage reported later will not be covered by our warranty. Please handle the product with care. Avoid any impact to the sides and edges of the glass.
- Consult your local building codes before installation.
- To reduce the risk of breakage, keep corner protectors on the glass while installing.
- If this unit is being installed in new construction, please install all required plumbing and drainage before installing the shower. Use a licensed plumber/contractor (if required by local code) for all plumbing installations.
- Before beginning installation, make sure all surfaces are level, solid and will support the total weight of the unit. Also, make sure the walls are at right angles. Irregular installation surface level, radius corners, or improper angle of side walls will result in serious problems for your installation. Please note that some adjustments and drilling might be necessary during the installation process.
- Please protect all primary surfaces of the product during installation. Never set your glass down directly onto a tile floor. Leave corner protectors in place until necessary to remove them. Always use wood or cardboard to protect the bottom edge and corners of the glass before and during installation.



WARNING

- This unit must be installed upon a finished threshold and against finished walls.
- Take care to avoid hidden pipes or electrical cables when drilling holes in walls.
- This product is heavy and requires two people to install it.
- When cutting or drilling metal components or handling glass, wear protective eye wear, gloves, and closed-toe shoes to reduce the risk of personal injury.
- Failure to follow instructions when installing this product may result in personal injury, property damage, or product failure and may void the warranty.

INSTALLATION GUIDE

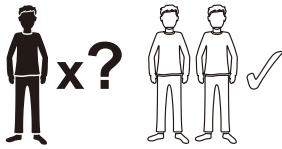
BEFORE YOU BEGIN



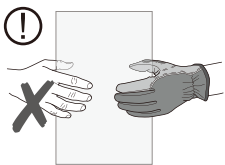
ATTENTION

- Threshold must be level for proper installation.
- The installation of this unit requires that you drill down into the threshold. Contact the manufacturer of the base or threshold material with any questions regarding the drilling of holes into their product.
- This model requires a minimum 2-3/4" (70mm) of flat level threshold space for installation. 4-1/8" (105mm) of flat level threshold space is better.

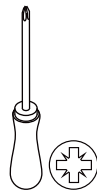
Tools Required



- This product is heavy and requires two people to install.



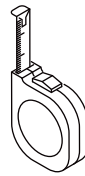
- Use cut-resistant, non-slip gloves to reduce the risk of personal injury and to hold the glass firmly.



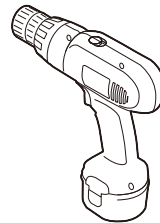
Phillips
Screwdriver



Level



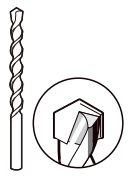
Tape
Measure



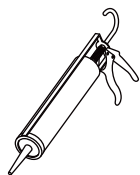
Drill



1/8"
(3mm)
Drill Bit



1/4"
(6mm)
Drill Bit



100%
Silicone
Sealant



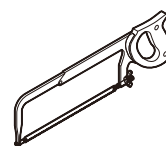
Pencil



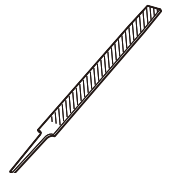
Rubber
Mallet



Safety
Glasses



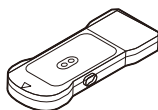
Hack
Saw



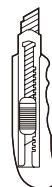
Metal File



Tin Snips



Stud Finder



Knife



This product is heavy and requires two people to install.

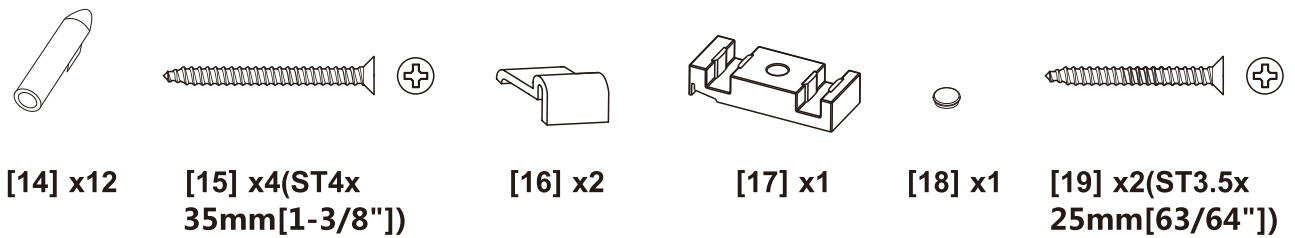
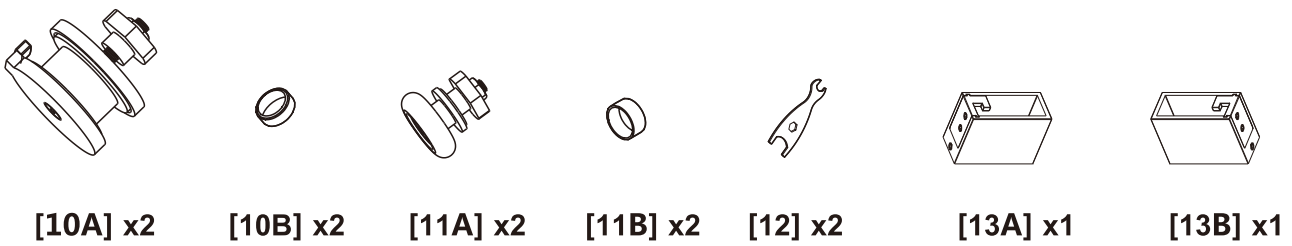
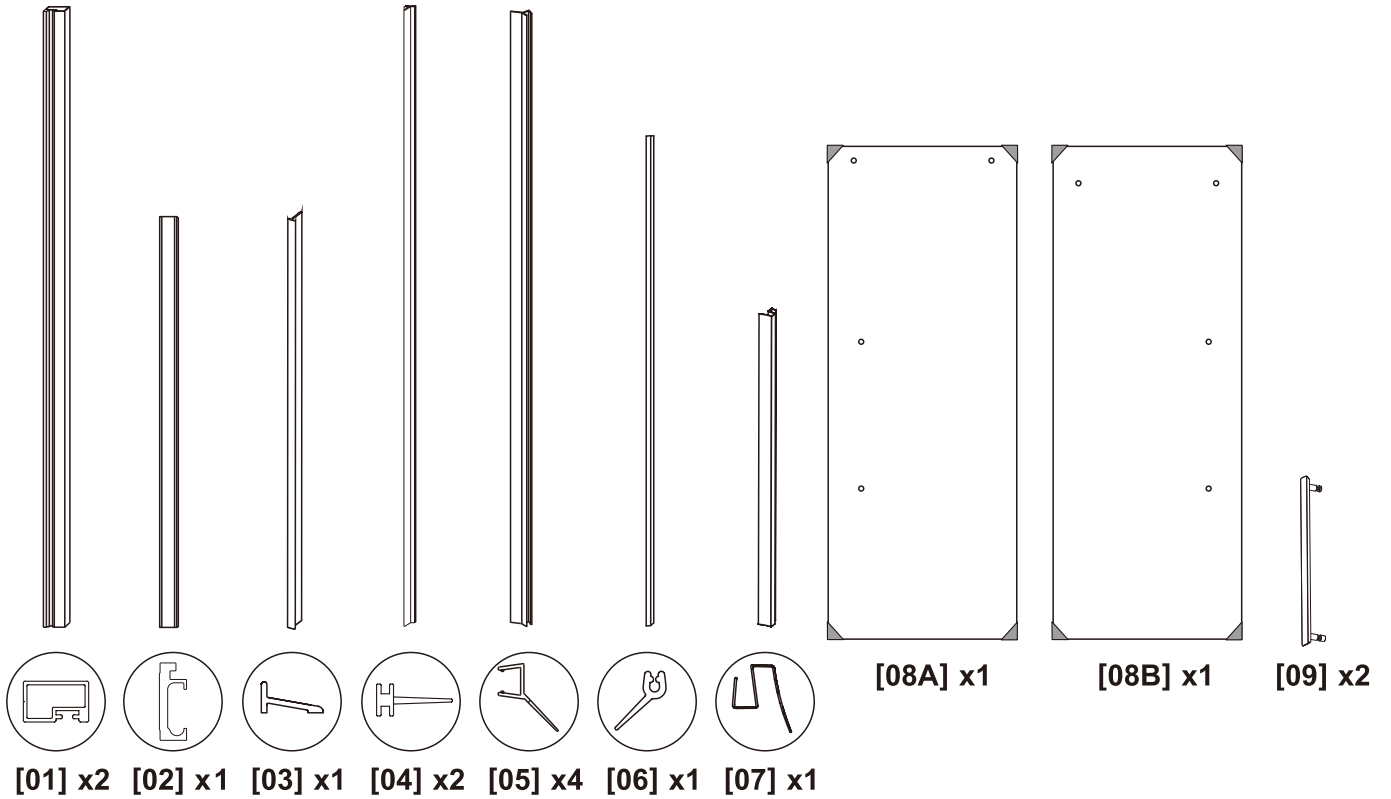




WARNING

To prevent damage to glass and potential injury, make sure to follow the instructions on page 1.

PARTS

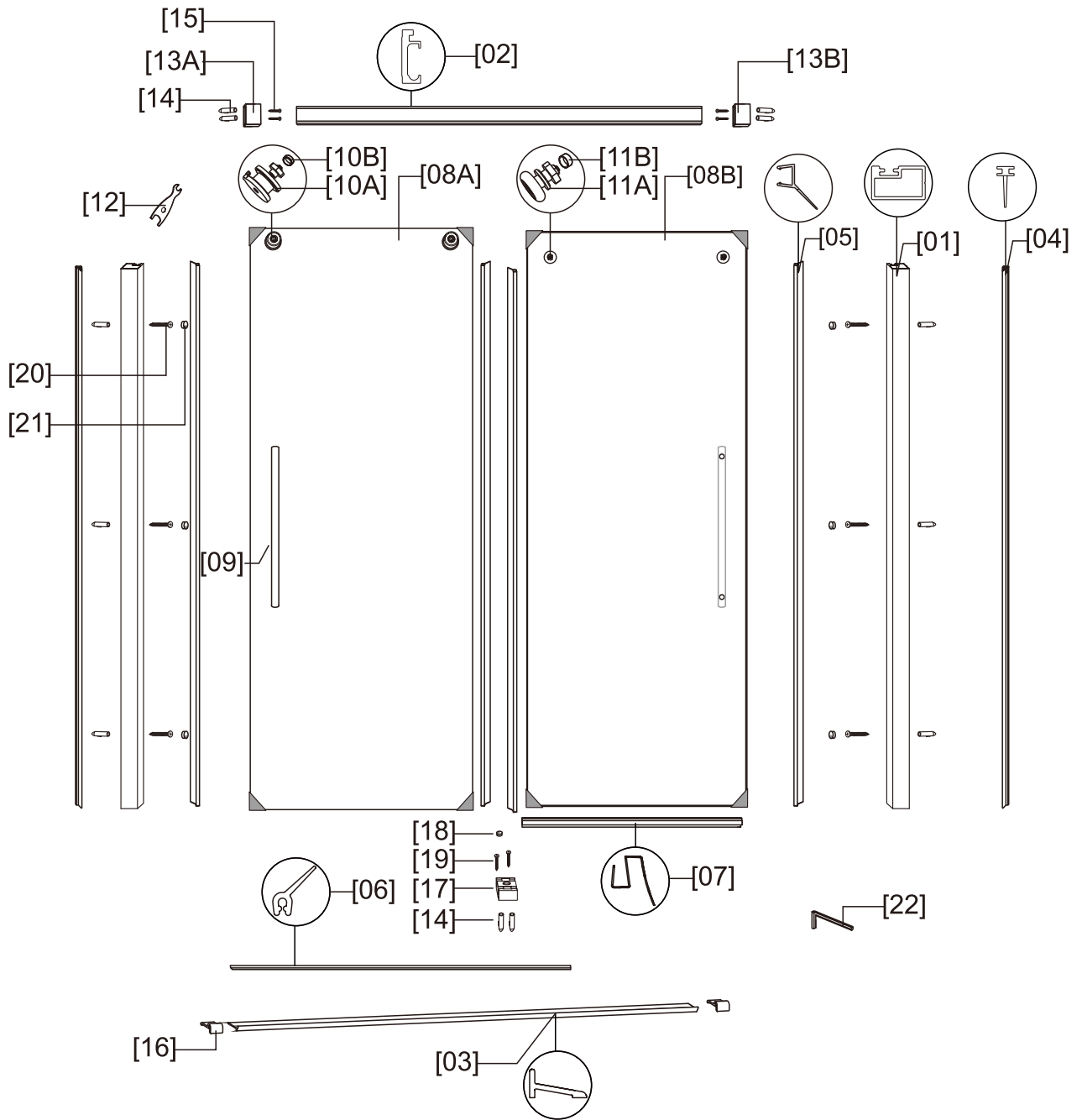




WARNING

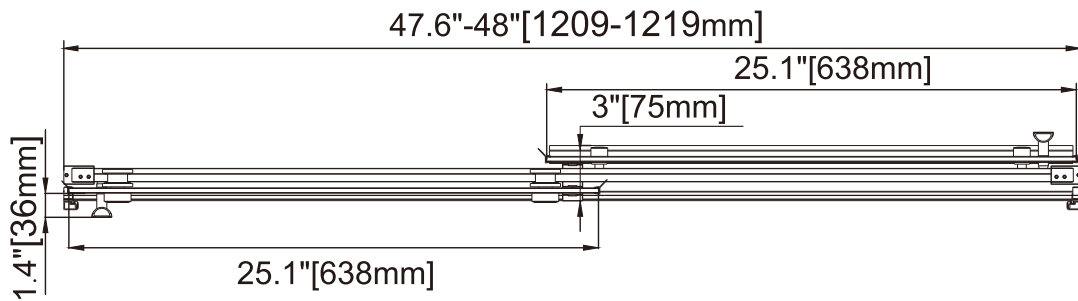
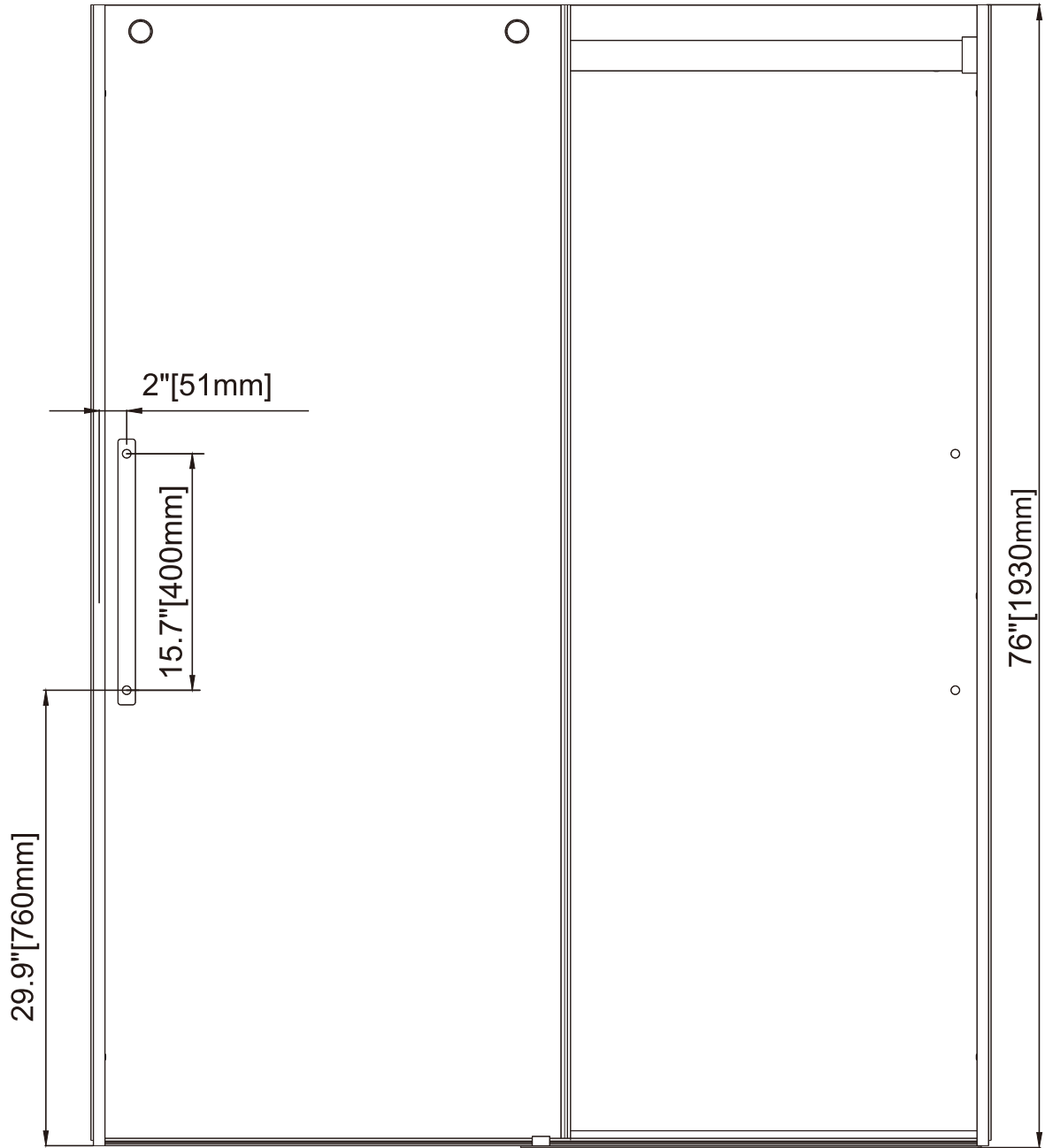
To prevent damage to glass and potential injury, make sure to follow the instructions on page 1.

ASSEMBLY

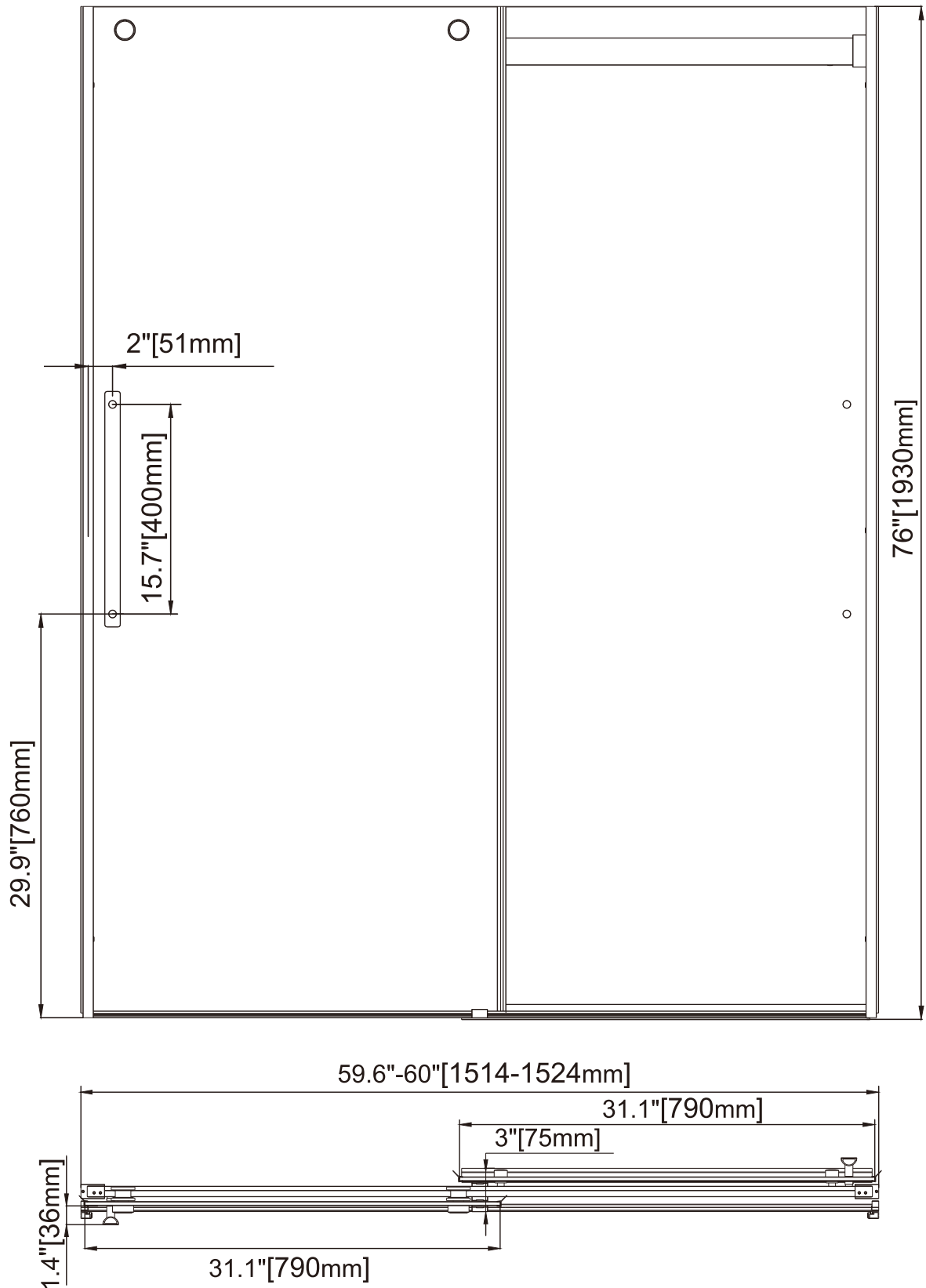


Part	Description	Qty.	Part	Description	Qty.
[01]	Wall Jamb	2	[12]	Wrench	2
[02]	Support Bar	1	[13]	Wall Bracket (L&R)	2
[03]	Bottom Rail	1	[14]	Anchor	12
[04]	Gasket	2	[15]	FH Screw ST4x35mm[1-3/8"]	4
[05]	Side Gasket	4	[16]	Seal	2
[06]	Threshold Gasket	1	[17]	Bottom Guide	1
[07]	Sealing Strip	1	[18]	Bottom Guide Cap	1
[08]	Door Panel	2	[19]	Screw ST3.5x25mm[63/64"]	2
[09]	Handle Set	2	[20]	Screw ST4x35mm[1-3/8"]	6
[10]	Outer Wheels	2	[21]	Cap	6
[11]	Inner Wheels	2	[22]	Allen Key	1

SD-FRLS05901** 48"*76"



SD-FRLS05902** 60"*76"





ATTENTION

- To avoid personal injury or property damage, identify components and read all instructions before installing.
- This model requires a minimum 2-3/4" (70mm) of flat level threshold space for installation. 4-1/8" (105mm) of flat level threshold space is preferable. (Dimension "D" of Fig 2.)

INSTALLATION INSTRUCTIONS

Step 1

- This shower door must be mounted to a stud. Minimum threshold space is required. **IMPORTANT:** Using a stud finder, ensure the wall intended to hold the door has a stud at the installation point. A stud in this location must be identified to support the support bar in order to proceed with the installation. If there is no stud in the shown area, we recommend employing a qualified contractor to install one. (Fig 2)
1. Make sure the screw of the **Wall Bracket Assembly [13A]** is tightened (Fig 1.1). Take off the cover (Fig 1.2).
 2. Use a pencil and stud finder to mark the outer side and the bottom of **Wall Bracket Assembly [13A]** so that it can be fixed to the stud. Choose one side to mark the lines.
 3. Measure up 71-1/2" (1816mm) from the ground to the bottom corner of the **Wall Bracket Assembly [13A]** and draw a horizontal line. Measure in 1-1/2" (38mm) minimum from the outside of the **Wall** to the profile of the **Wall Bracket Assembly [13A]** and draw a vertical line. Or measure 1-1/2" + (A") if you want to install the shower door behind the outside of the wall (Fig 2, Fig 3). A" is the distance between outermost surface of shower door and the outside of the wall.

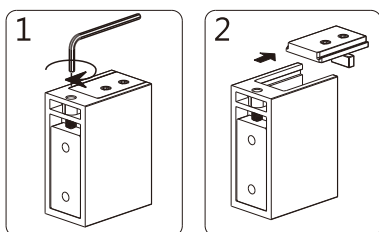


Fig1

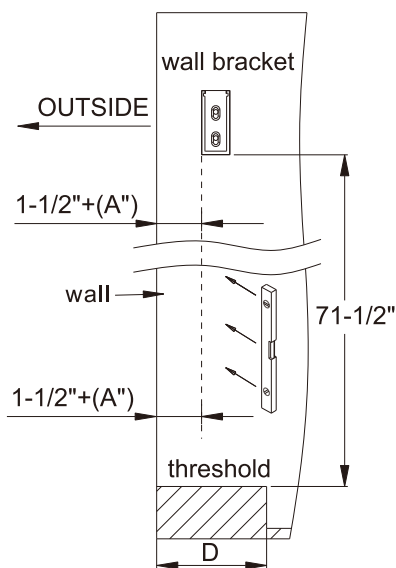


Fig 2

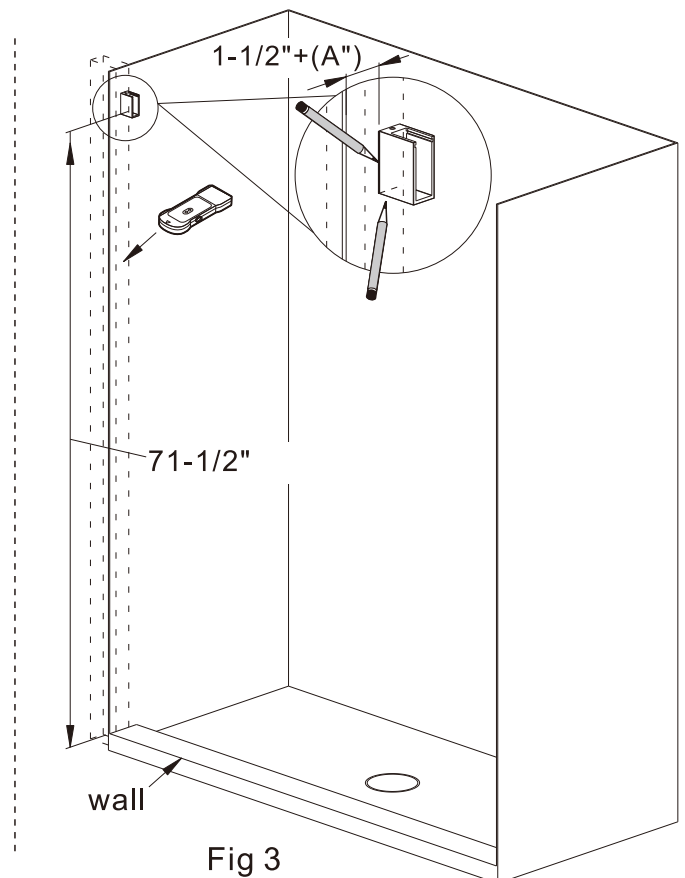


Fig 3

Step 2

1. Measure the finished opening width at the bottom ("W2") and at the top ("W1").

IMPORTANT: If the Support Bar [02] and the Bottom Rail [03] match the width there's no need to cut them. If they don't, please see Step 2 for cutting instructions.

2. Using a pencil or another marking tool (such as masking tape), mark distance **W1 minus 1-1/8" (28.5mm)** on the **Support Bar [02]** (to leave some space for the **Wall Bracket**), **W2 minus 1/16" (2mm)** on the **Bottom Rail [03]**.

IMPORTANT: Double check the measurements before cutting. Cut the **Support Bar [02]** and the **Bottom Rail [03]** with a fine toothed (32 TPI) hack saw. If needed, use a metal file to smooth rough edges. Clean up metal shavings. **DO NOT** stand on or use a vice to hold the **Support Bar [02]** and the **Bottom Rail [03]** while cutting.

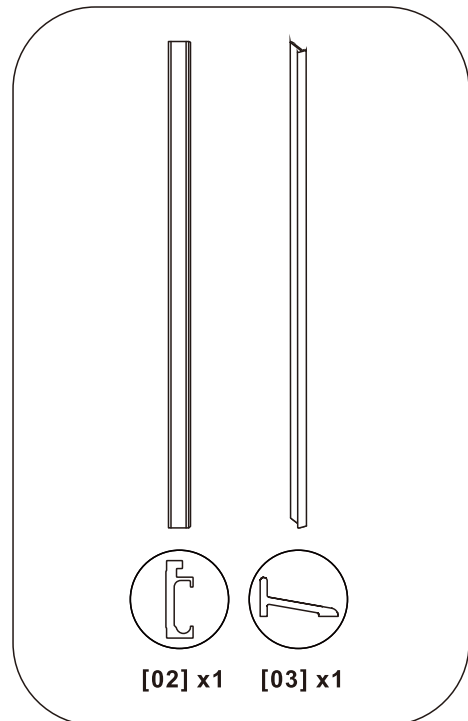
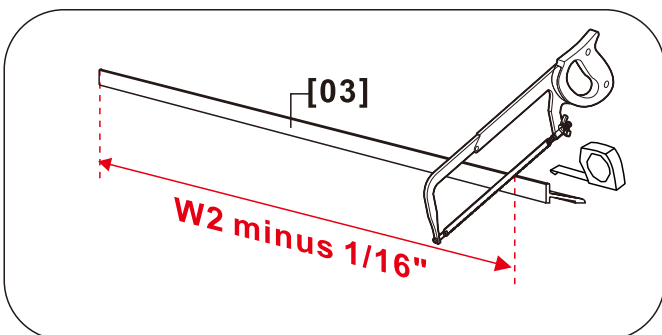
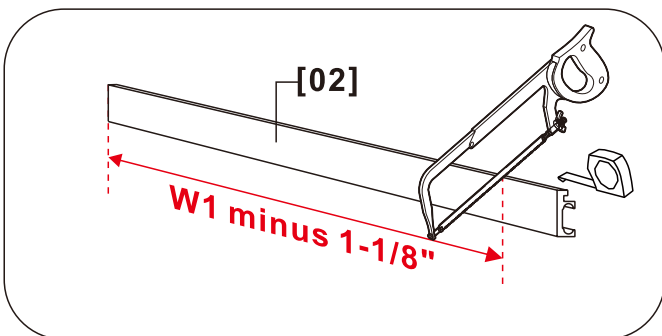
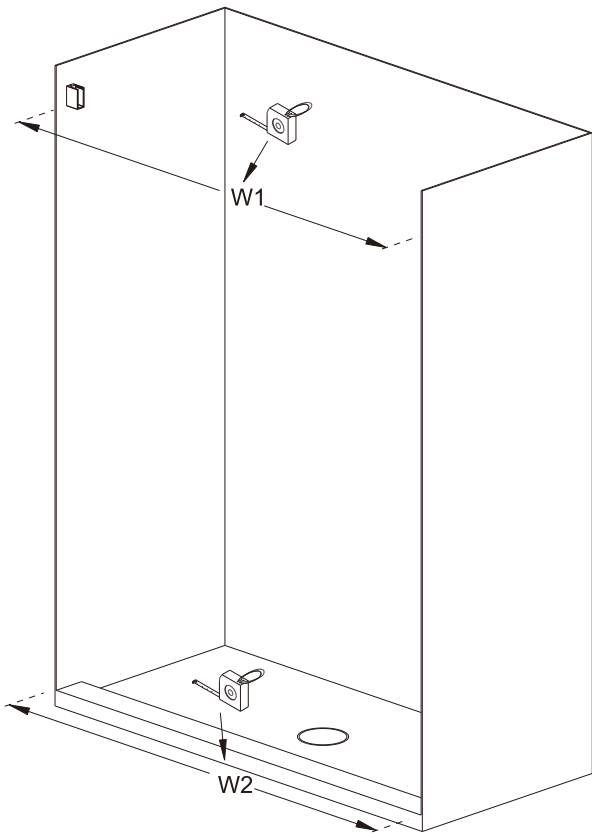


Fig 4

Step 3

1. Hold the **Wall Bracket Assembly [13A]** in the designated position (left side) and mark the holes for drilling (Fig 5.1). Drill a 1/4" hole at each location and insert the **Anchors [14]** (Fig 5.2, Fig 5.3). Attach the **Wall Bracket Assembly [13A]** using the **FH Screw ST4x35 [15]** (Fig 5.4).
2. Insert the **Support Bar [02]** into the installed **Wall Bracket Assembly [13A]**. Temporarily attach the remaining **Wall Bracket Assembly [13B]** to the opposite end of the **Support Bar [02]**. Place a level on top of the **Support Bar [02]**. Align the **Wall Bracket Assembly [13B]** with the opposite vertical line from **Step 1** and mark the bracket's position on the wall (Fig 5.5).
3. Remove the **Support Bar [02]** and position the **Wall Bracket Assembly [13B]** onto the wall and mark the holes for drilling. Drill a 1/4" hole at each location and insert the **Anchors [14]** (Fig 5.6, Fig 5.7). Attach the **Wall Bracket Assembly [13B]** using the **FH Screw ST4x35 [15]** (Fig 5.8).

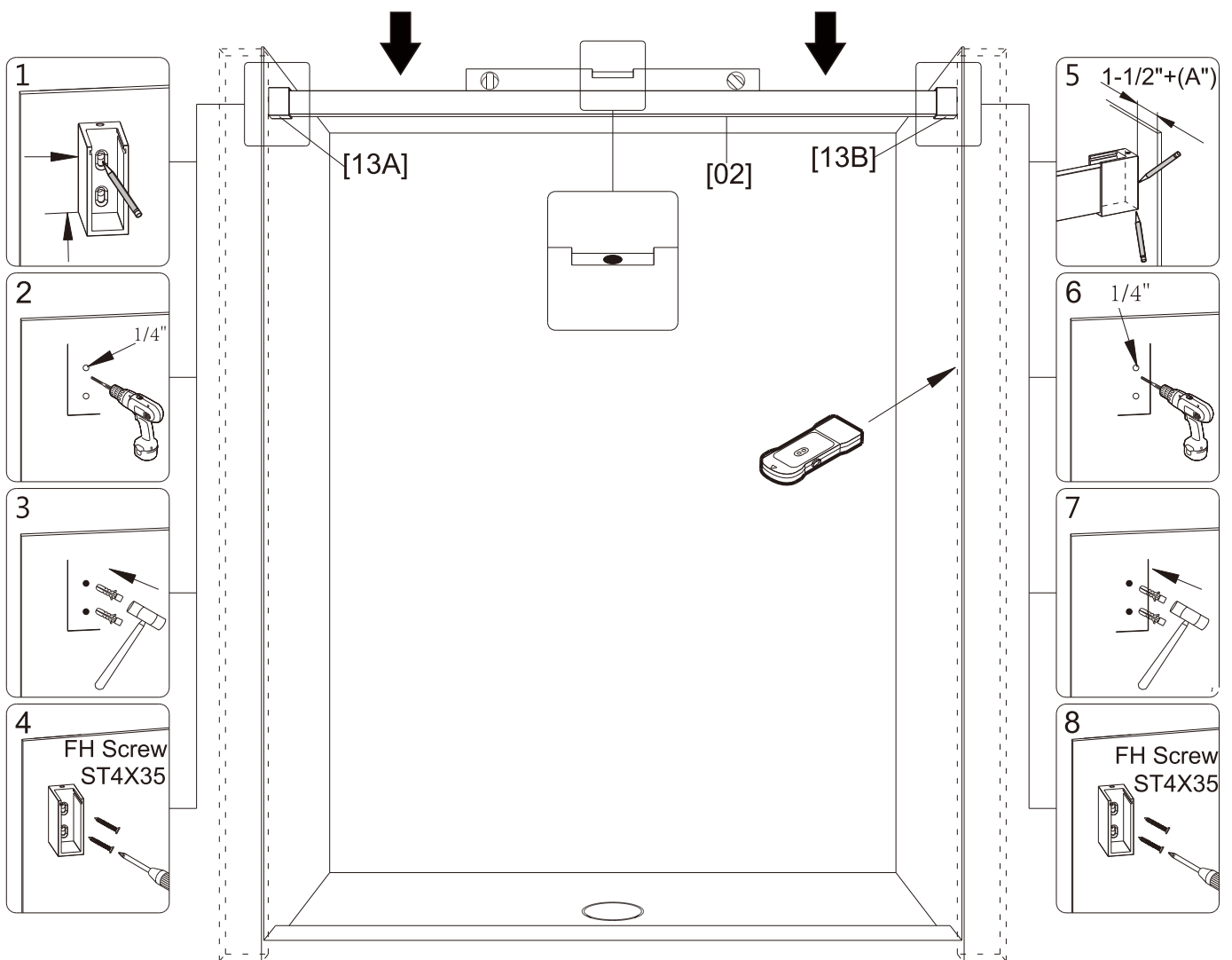
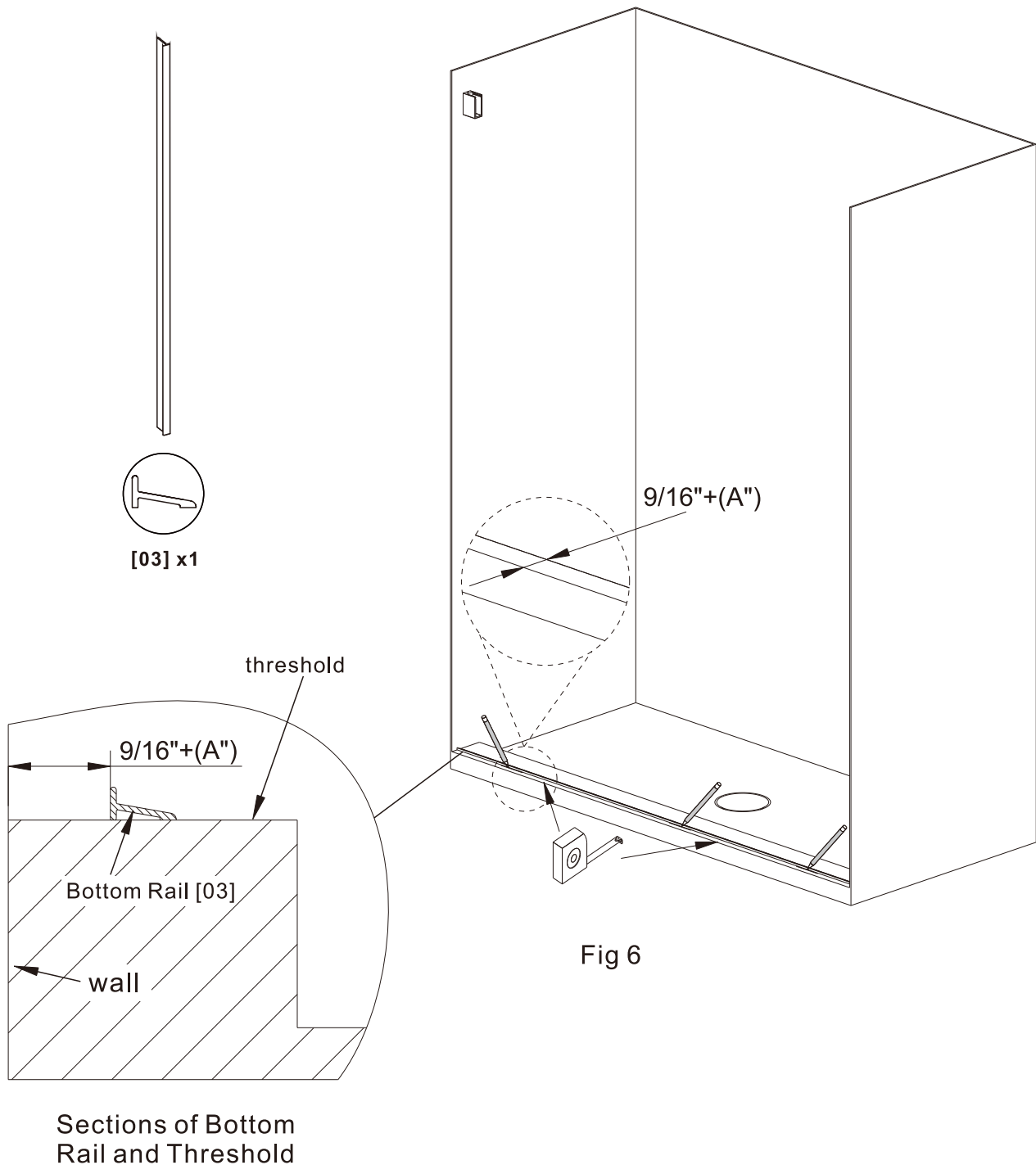


Fig 5

Step 4

1. Set the **Bottom Rail [03]** onto the threshold parallel with the outside edge.
2. Measure $9/16"$ (14mm) minimum from the outside of the **Wall** to the **Bottom Rail [03]** and mark the position on the threshold (Fig 6). Or measure $9/16" + (A")$ if you want to install the shower door behind the outside of the wall. The measurement "A" must be the same as in **Step 1**.



Step 5

1. Tear off the tape from the **Bottom Rail [03]** (Fig 7). Place the **Bottom Rail [03]** onto the **marked position** on the threshold (Fig 8).
2. Measure across the width of the threshold to locate and mark the center (Fig 9).

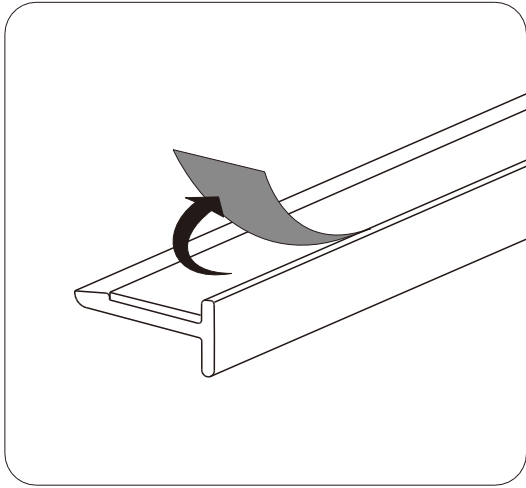


Fig 7

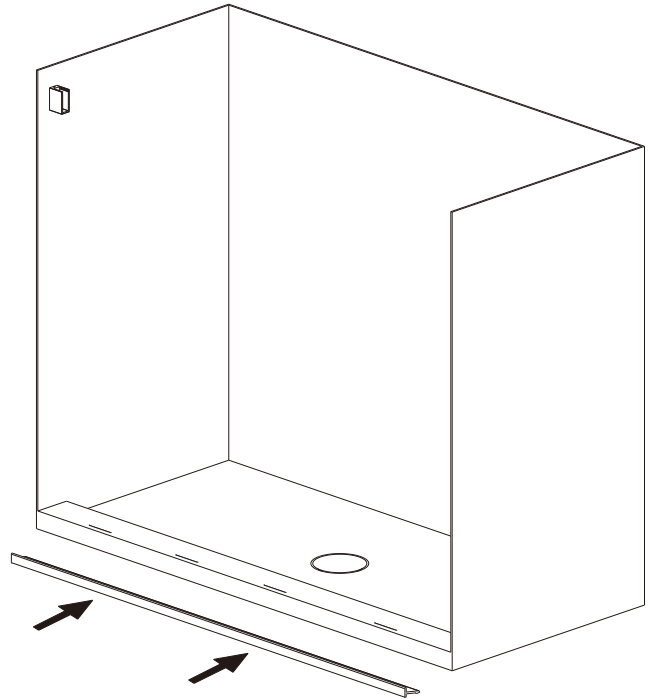


Fig 8

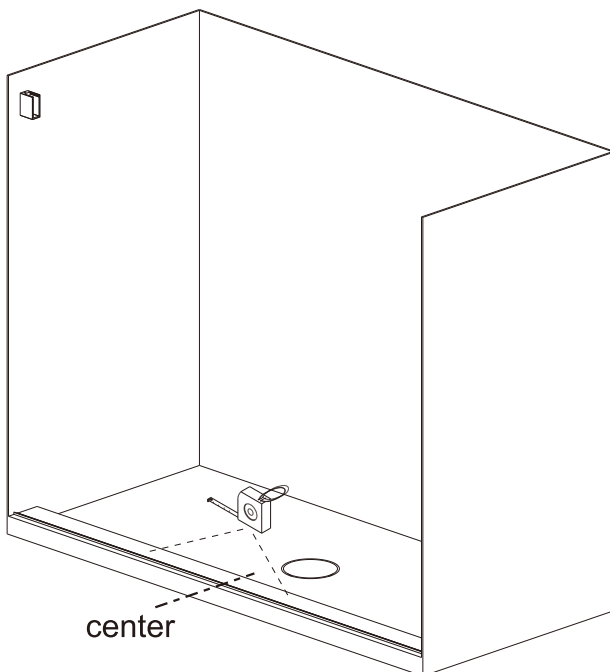


Fig 9

Step 6

1. Place the **Bottom Guide [17]** onto the center of the **Bottom Rail [03]** and mark the hole for drilling (Fig 10.1 and Fig 10.2). Drill a 1/8" hole at each marked location if drilling into acrylic or wood material (Fig 10.3). Drill a 1/4" hole at each marked location if drilling into tile material and insert the **Anchors [14]** (Fig 10.4).
2. Fix the **Bottom Guide [17]** with **screws ST3.5X25 [19]** (Fig 10.5). Install **Bottom Guide Cap [18]** to finish the Bottom Guide's installation (Fig 10.6).

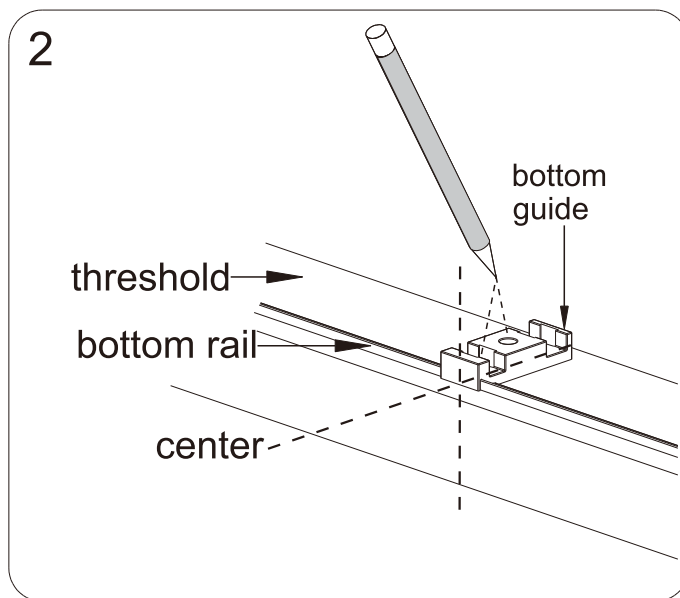
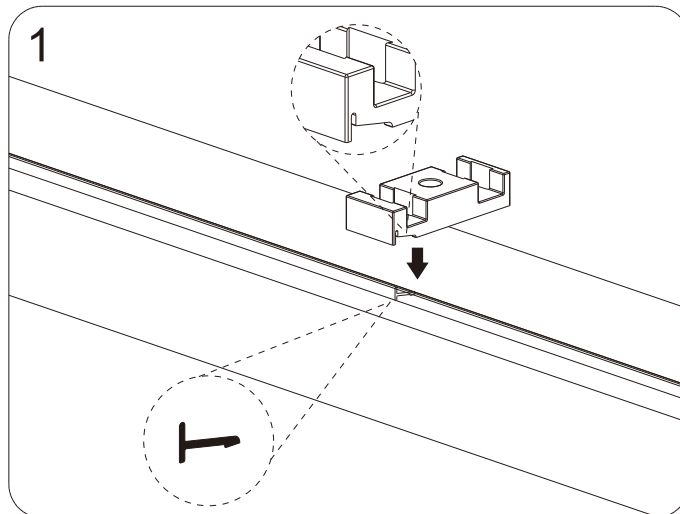
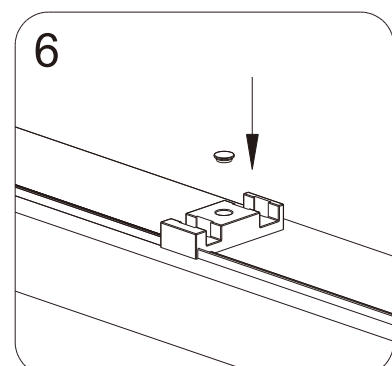
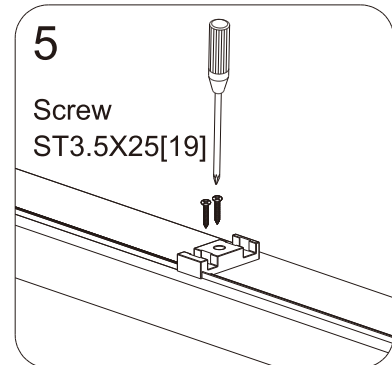
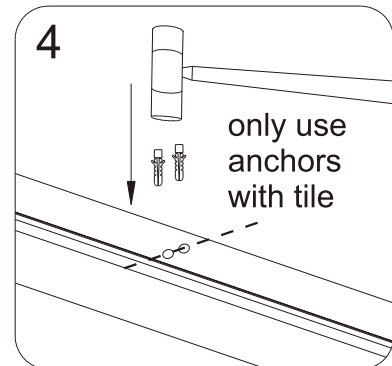
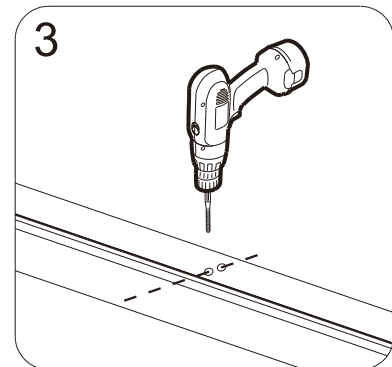


Fig 10



Step 7

1. Apply silicone to the **Seal [16]** and attach to the end of **Bottom Rail [03]** (Fig 11.1 and Fig 11.2).
2. Measure the length between the left side wall surface and the **Bottom Guide [17]** and the right side wall surface.
3. Cut the Threshold Gasket to the length with tin snips. Cut the interfering part of the **Threshold Gasket [06]** (Fig 11.3). The cut length will be the same as **Seal [16]** (Fig 11.4).

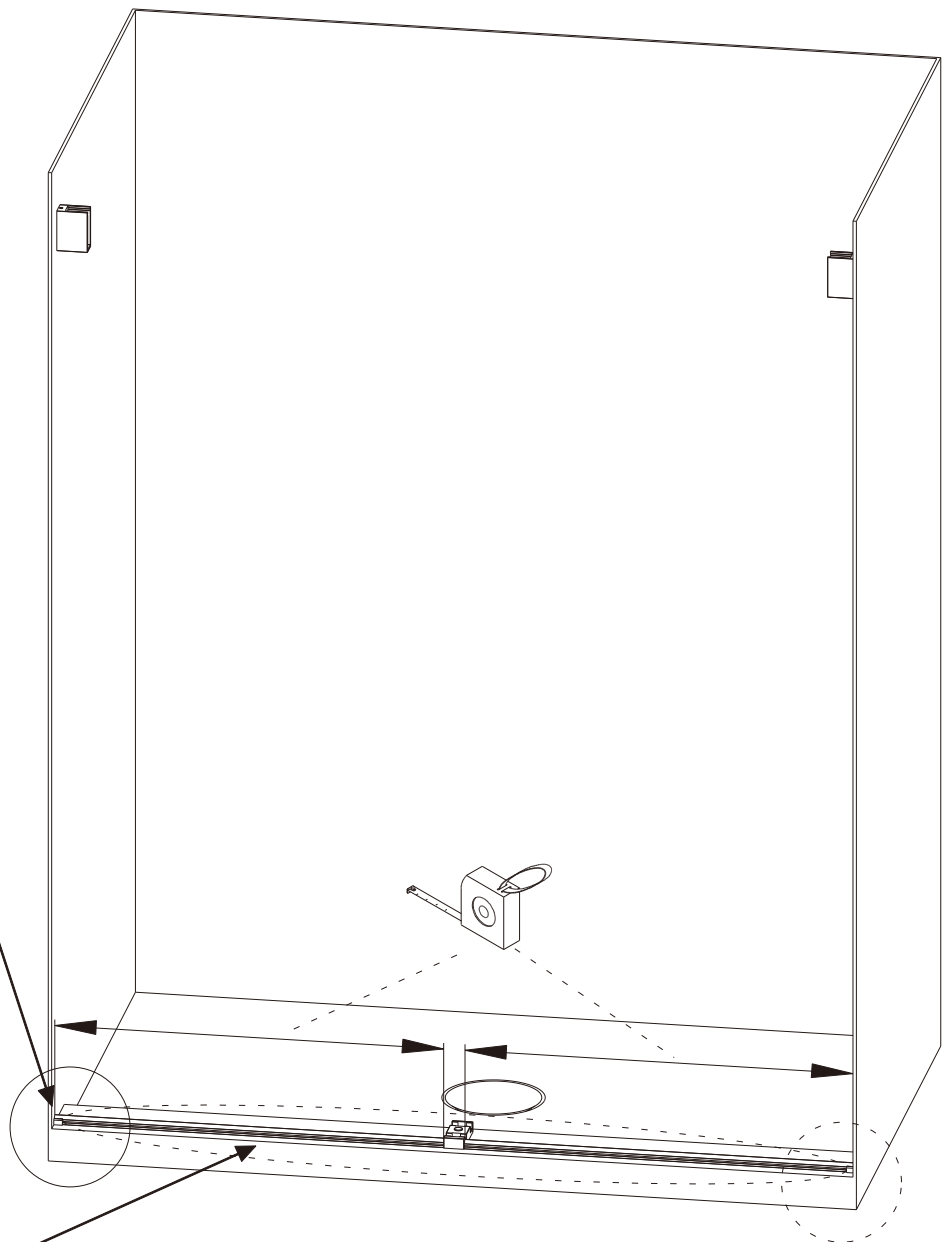
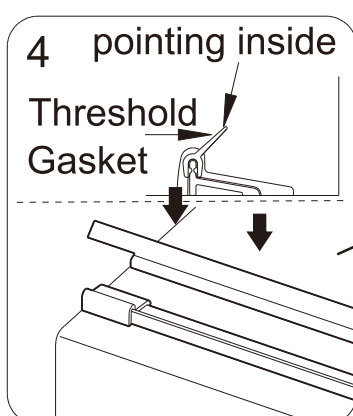
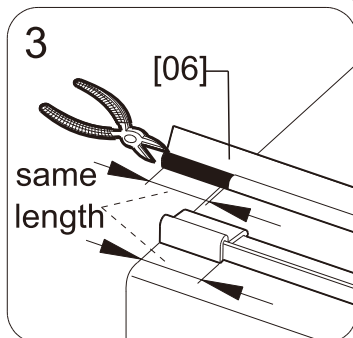
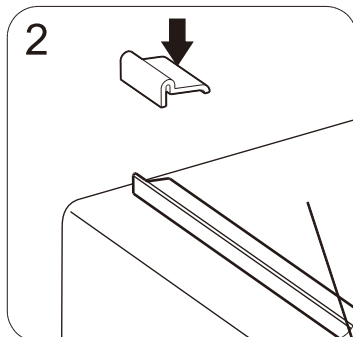
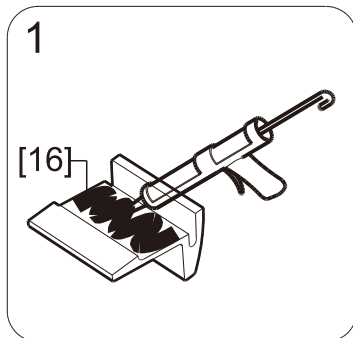
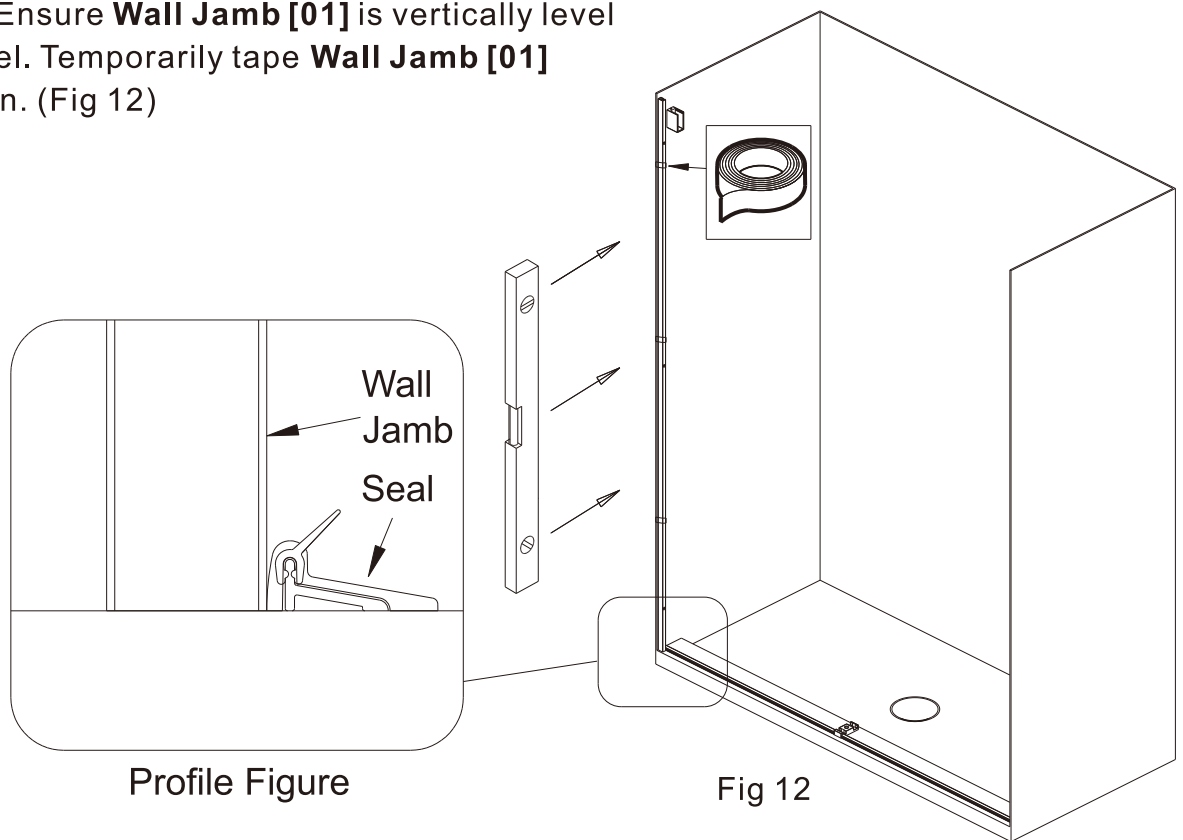


Fig 11

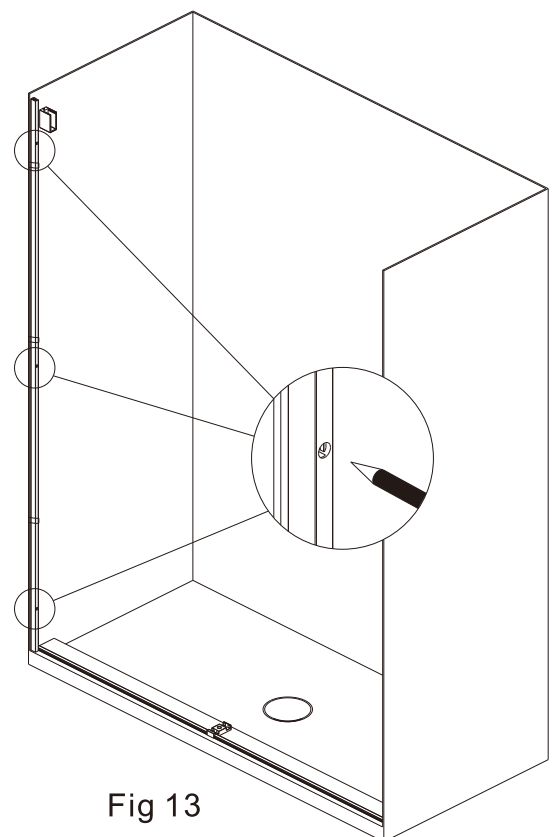
Step 8

Place **Wall Jamb [01]** into position close to **Seal [16]**. Ensure **Wall Jamb [01]** is vertically level using a level. Temporarily tape **Wall Jamb [01]** into position. (Fig 12)



Step 9

Using a pencil, mark location of all three screw holes for **Wall Jamb [01]**. (Fig 13)



Step 10

Remove **Wall Jamb [01]** and drill a 1/4" hole at each location marked for **Wall Jamb [01]** (Fig 14).



ATTENTION

Wear safety glasses and cut-resistant, non-slip gloves when drilling or cutting to avoid risk of injury.

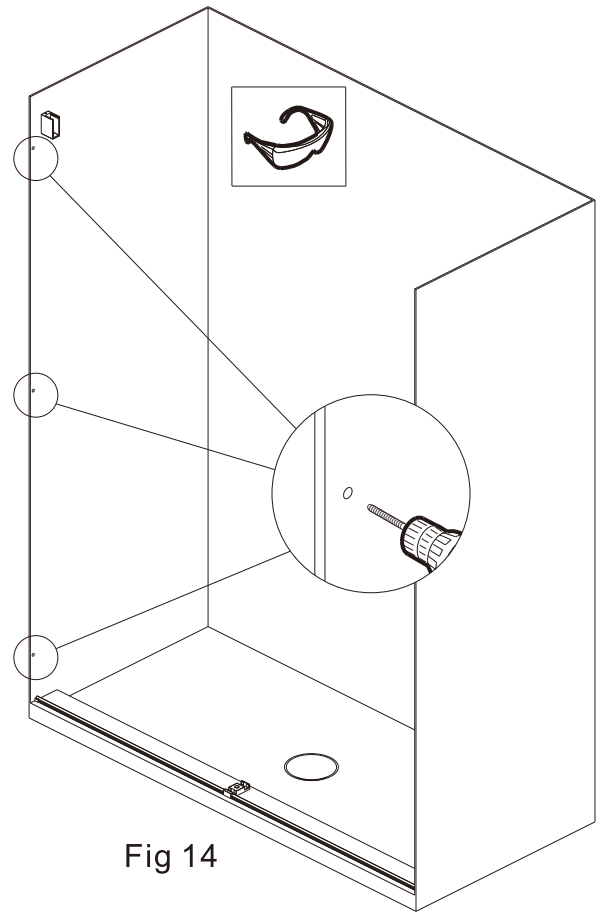


Fig 14

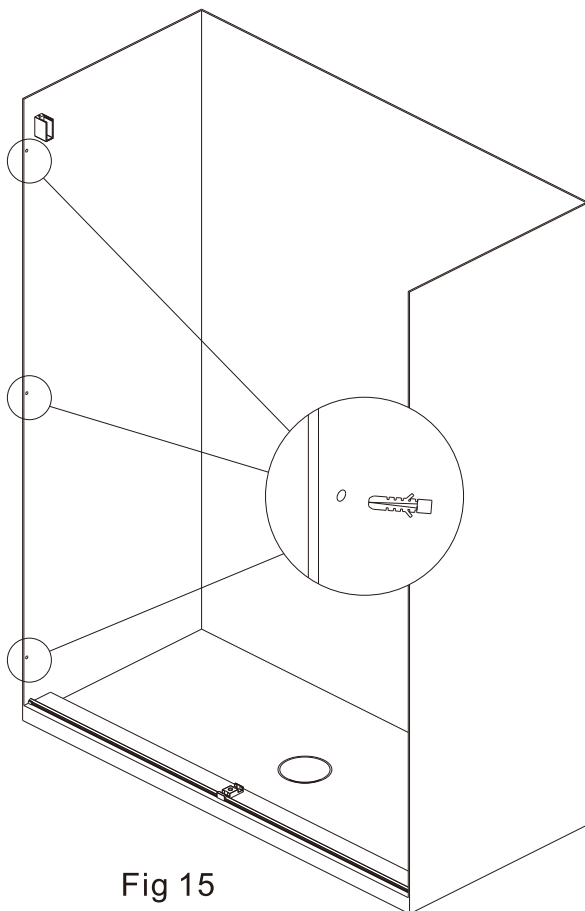


Fig 15

Step 11

1. Insert **Anchors [14]** in each hole location.
2. The **Anchors [14]** should fit securely into the holes. If needed, a rubber mallet can be used to insert wall Plugs.
3. To reduce risk of property damage, the use of a metal hammer is not recommended. If needed use drill to slightly enlarge the opening of th hole.

IMPORTANT: Anchors [14] MUST be used.

Step 12

1. Insert **Gasket [04]** into **Wall Jamb [01]** (Fig 16.1). Reposition **Wall Jamb [01]**. Use drill to start the **ST4X35 Screws [20]** into the **Anchor [14]**.
2. Next, use a screwdriver to hand tighten until secure (Fig 16.2). Install the **Caps [21]** to finish the installation (Fig 16.3).
3. If the **Gasket [04]** is longer than the **Wall Jamb [01]**, cut to correct length (Fig 16.4).

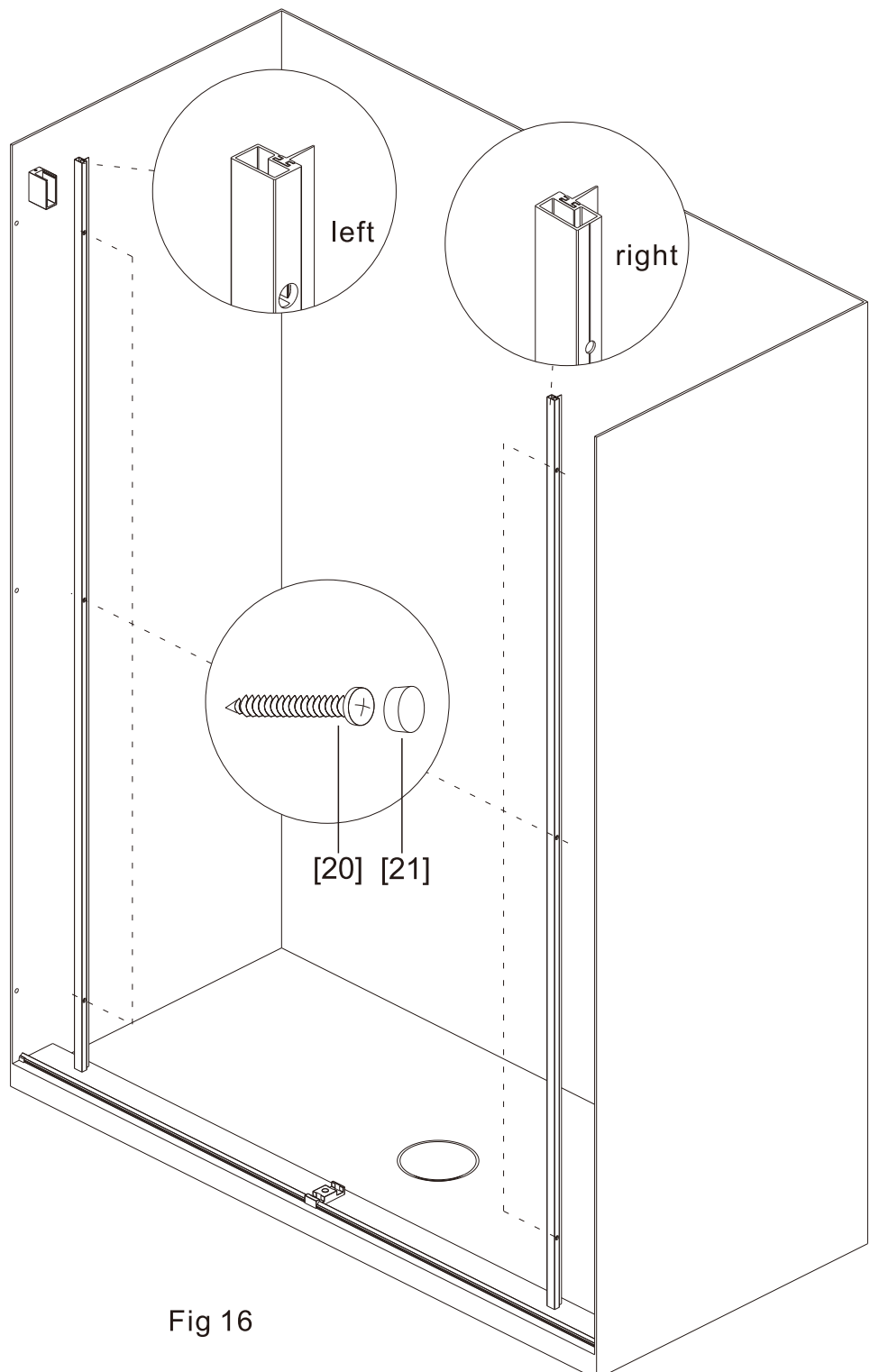
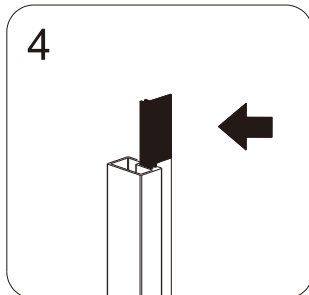
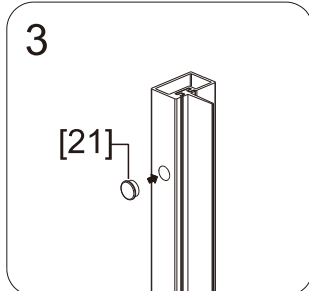
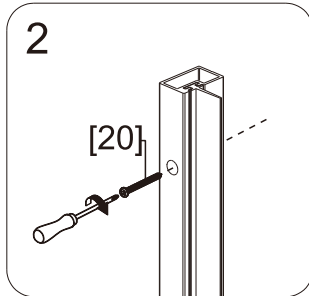
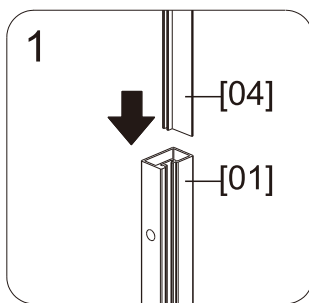


Fig 16

Step 13

1. Install **Support Bar [02]** to **Wall Bracket Assembly**. The groove of the **Support Bar [02]** faces inward. Use a level to ensure the **Support Bar [02]** is horizontally level.
2. If the **Support Bar [02]** isn't level, remove the **Support Bar [02]** again. Find the higher **Wall Bracket Assembly** and loosen the fixed screws for one turn. (Fig 17.1)
3. Turn the hex screw counter-clockwise for one turn, replace the **Support Bar [02]** and check to see if it's horizontally level. If not, repeat this step until it is. (Fig 17.2)
4. Once the **Support Bar [02]** is horizontally level, tighten the screws loosened in Step 13.2.
5. Reinstall the cap of **Wall Bracket Assembly** and fixed with the **Allen Key [22]** (Fig 17.3 and Fig 17.4).

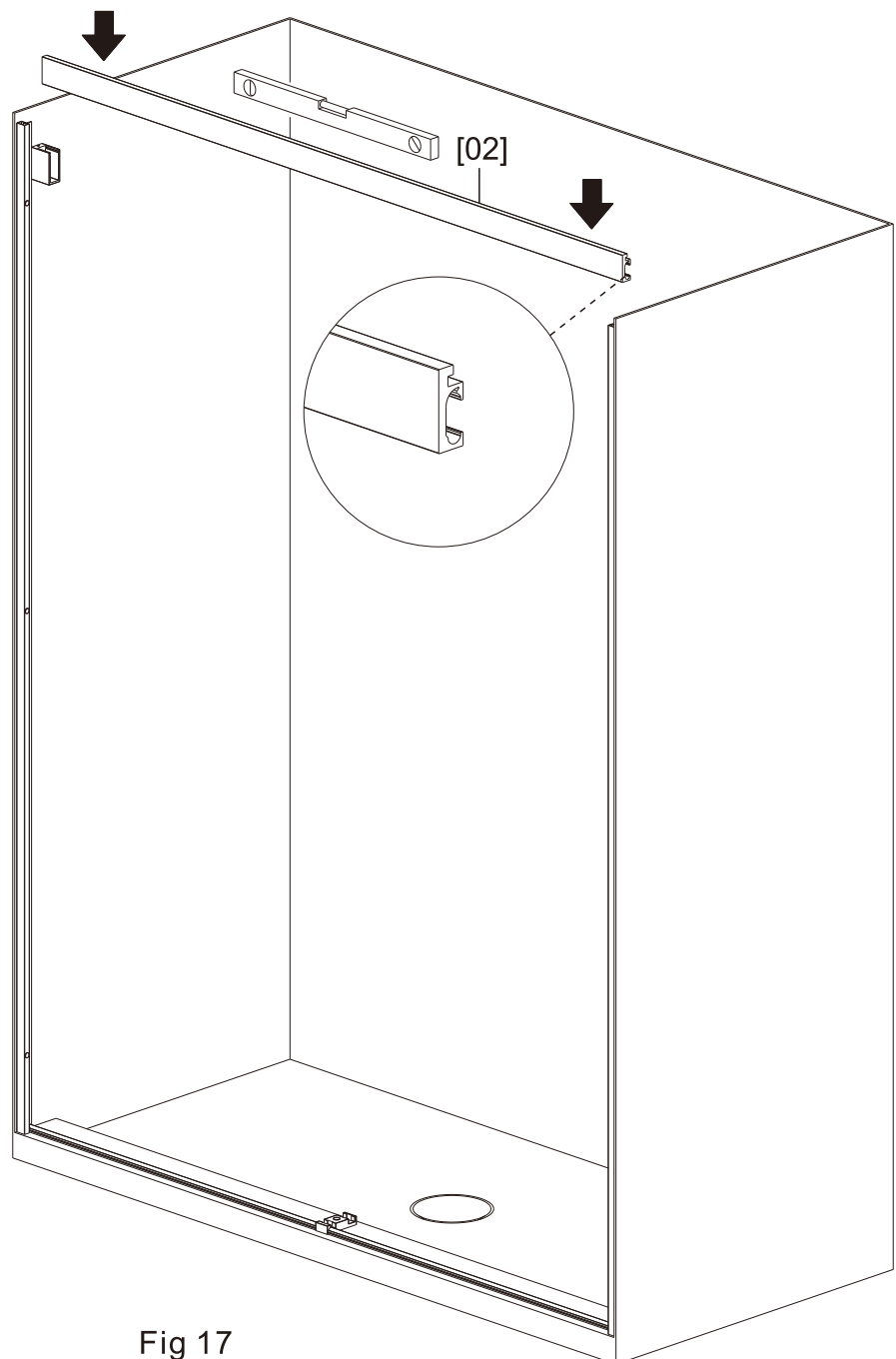
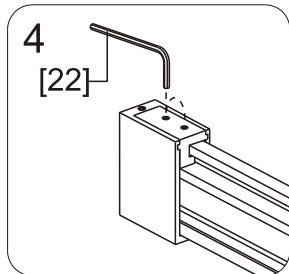
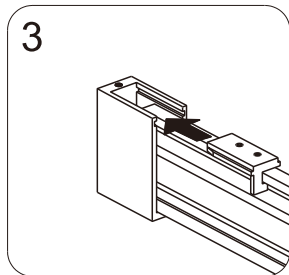
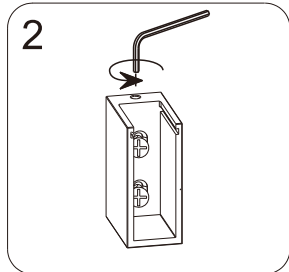
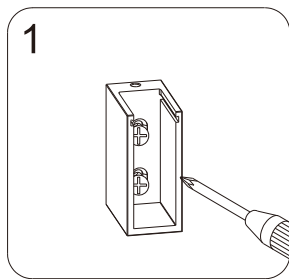


Fig 17



WARNING

To prevent damage to glass and potential injury, make sure to follow the instructions on page 1.

Step 14

1. Install **Inner Wheels [11A]** to the **Door Panel [08B]**. The **washer** should be on the metal part side (Fig 18.1). Adjust the **Eccentric nut** like the picture below (Fig 18.1a).

Note: If there are more than one washer for a Inner Wheels [11A], please leave one and remove the others as backup.

2. Use two **Wrenches [12]** in the package to tighten the **Inner Wheels [11A]** (One to hold the **Eccentric nut**, another tighten the **nut**.) (Fig 18.2)

3. Carefully remove the **Corner Protectors** from the bottom of **Door Panel [08B]** and install the **Sealing Strip [07]** to the bottom of it. Make sure it faces the right direction (Fig 18.3).

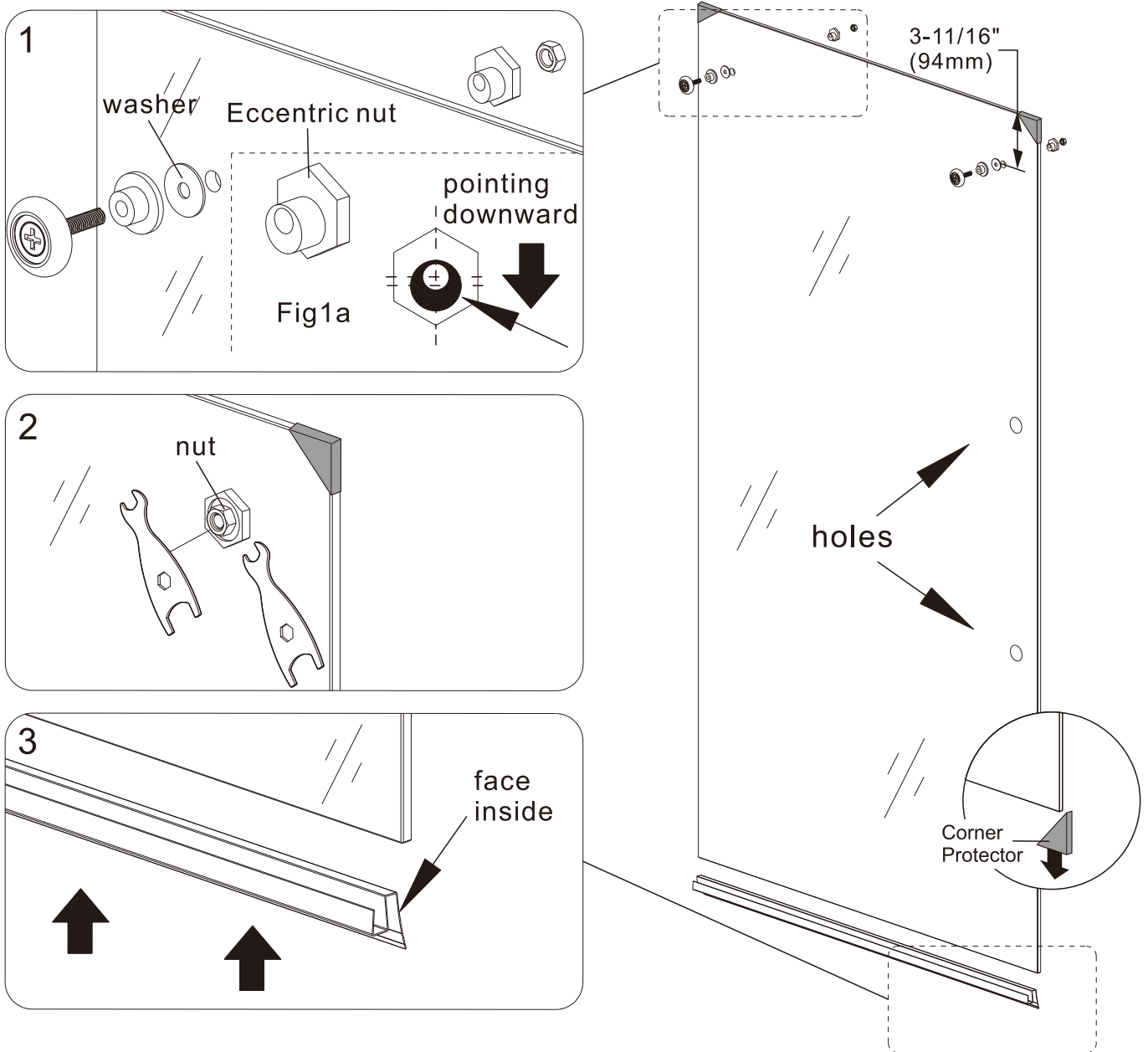


Fig 18



WARNING

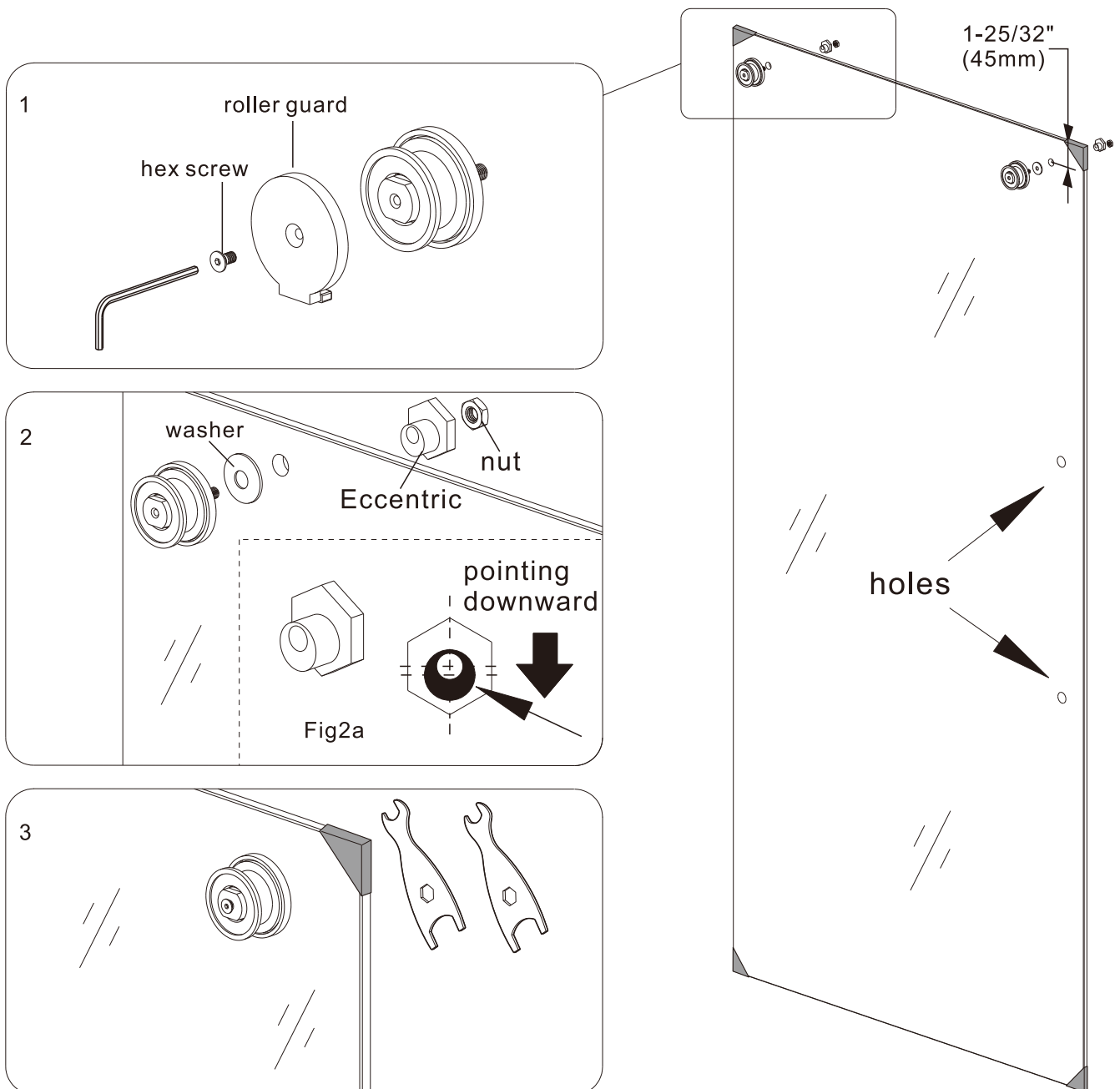
To prevent damage to glass and potential injury, make sure to follow the instructions on page 1.

Step 15

1. Disassemble the hex screw and the **roller guard** (Fig 19.1).
2. Install **Outer Wheels [10A]** to the **Door Panel [08A]**. The **washer** should be on the metal part side (Fig 19.2). Adjust the **Eccentric nut** like the picture below (Fig 19.2a).

Note: If there are more than one washer for a Outer Wheels [10A], please leave one and remove the others as backup.

3. Use the two **Wrenches [12]** to tighten the **Outer Wheels [10A]** (One to hold the **Eccentric nut**, another tighten the **nut**.) (Fig 19.3)





WARNING

To prevent damage to glass and potential injury, make sure to follow the instructions on page 1.

Step 16

1. From inside the shower, hang the inside **Door Panel [08B]** first. Insert left wheel into the notch in the **Support Bar [02]**. Slide the door to the right and insert the other roller wheel into the second notch while inserting the Glass into the **Bottom Guide [17]**. Add some **Lubricant [23]** to the **Inner Wheels [11A]** if necessary (Fig 20).
2. Next, from outside the shower, hang the Outside **Door Panel [08A]** onto the top of the **Support Bar [02]** and into the **Bottom Guide [17]** (Fig 21).
3. Attach the roller guards to the **Outer Wheels [10A]** to prevent the Door Panel from being lifted off of the **Support Bar [02]**. Make sure the flange of the roller guard inserts to the groove of the **Support Bar [02]** (Fig 21).

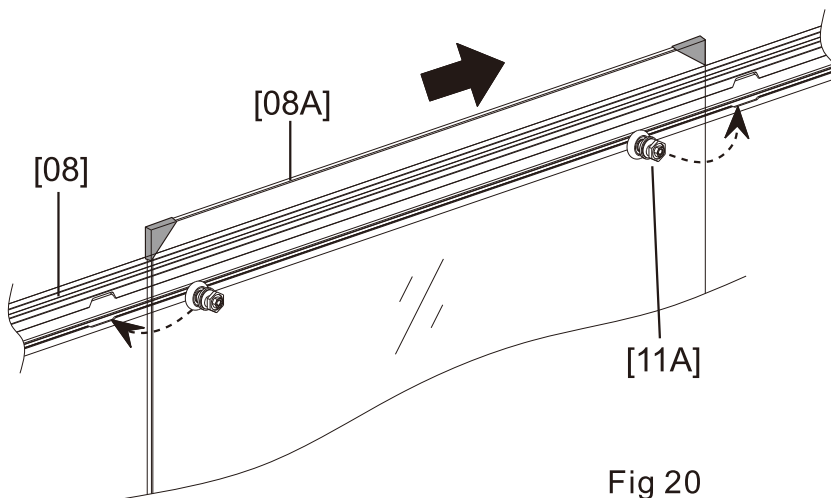


Fig 20

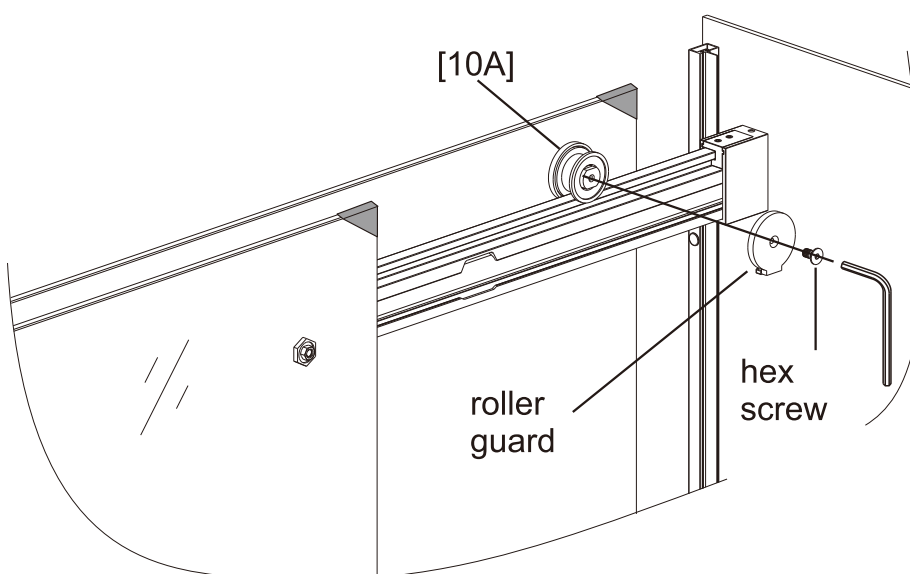
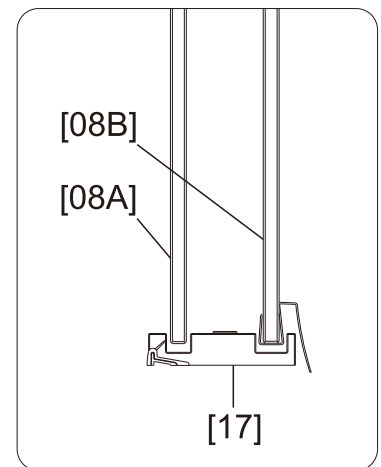
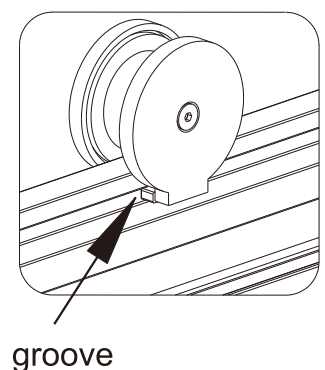


Fig 21



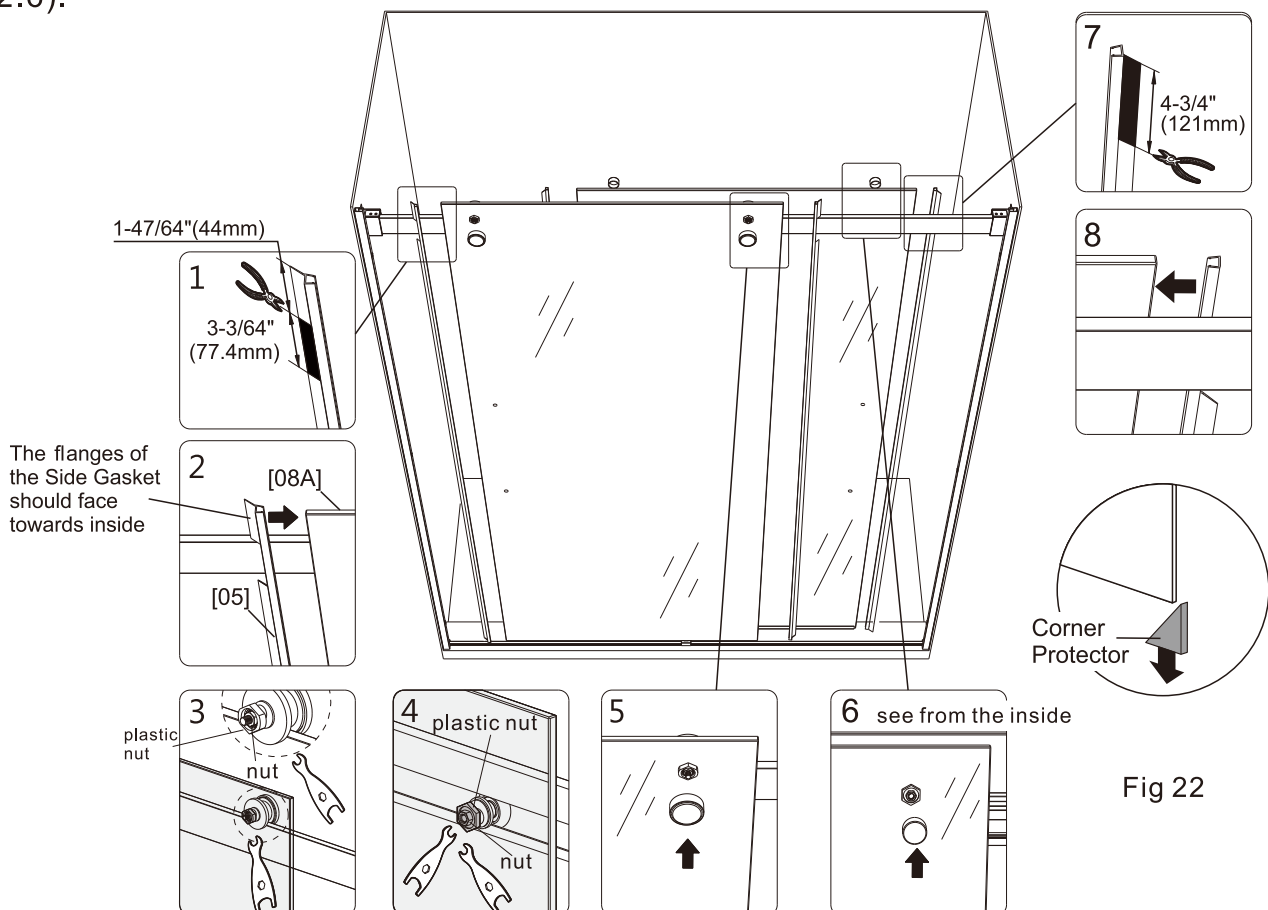


WARNING

To prevent damage to glass and potential injury, make sure to follow the instructions on page 1.

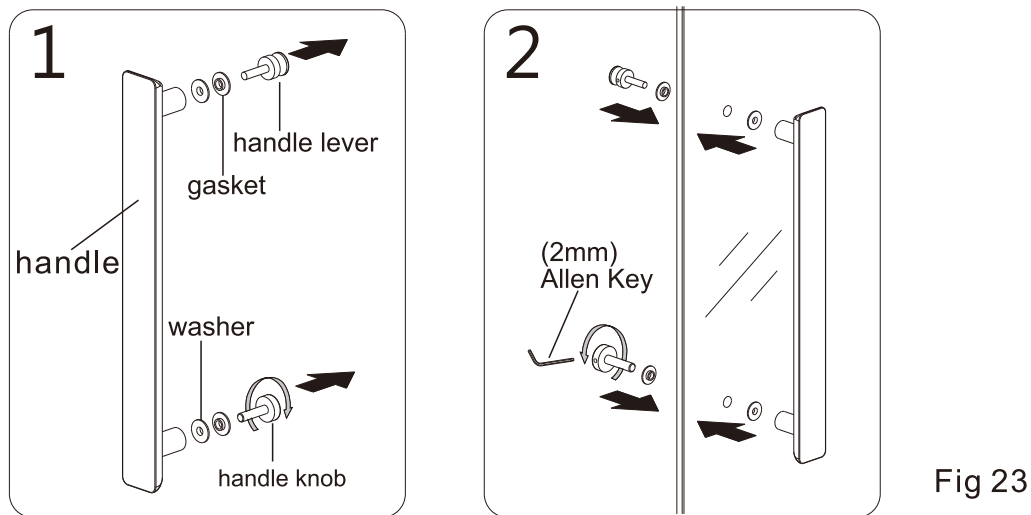
Step 17

1. Carefully remove the **Corner Protectors**. Cut a section from the flange of the two **Side Gaskets [05]** using the measurements from Fig 22.1. Install them on the outside **Door Panel [08A]**. The flanges of the **Side Gaskets [05]** should face towards the inside of the shower. Cut a section from the flange of the other two **Side Gaskets [05]** using the measurements from Fig 22.7. Install them on the inside **Door Panel [08B]**. The flanges of the **Side Gaskets [05]** should face towards the outside of the shower. (Fig 22.8)
2. If needed, the door height at each wheel can be individually adjusted by using the **Wrench [12]**.
 - a. For the **Outer Wheels [10]**, use the **Wrench [12]** in the package to carefully loosen the nut for half a turn. Rotate plastic nut as shown in Fig 22.3. This will raise or lower the **Door Panel [08A]** at this location so that the door panel can be aligned with the wall. Fasten the nut again after the adjustment.
 - b. For the **Inner Wheels [11]**, use one **Wrench [12]** to hold the nut and use the other **Wrench [12]** to rotate the plastic nut as shown in Fig 22.4. This will raise or lower the **Door Panel [08B]** at this location so that the door can be aligned with the wall. If the nuts are loosened too much and can't be tightened again after the adjustment, it will be need to remove the **Door Panel [08B]** from the **Support Bar [02]** and fasten the nut by following Step 14.
4. Install the **Outer Wheels Cover [10B]** and **Inner wheels cover [11B]** (Fig 22.5 & Fig 22.6).



Step 18

1. Disassemble gaskets by removing handle levers and handle knobs (Fig 23.1).
2. **Door Panel [08A]** installation: Install handles and two washers on the outer side of **Door Panel [08A]**. Install gaskets and handle knobs on inner side of **Door Panel [08A]**. Turn handle knobs with Allen Key to secure. (Fig 23.2)
3. **Door Panel [08B]** installation: Install handles and two washers on the inner side of **Door Panel [08B]**. Install gaskets and handle knobs on outer side of **Door Panel [08B]**. Turn handle knobs with Allen Key to secure. (Fig 23.2)
IMPORTANT: Ensure gaskets and washers are placed on each side of glass.

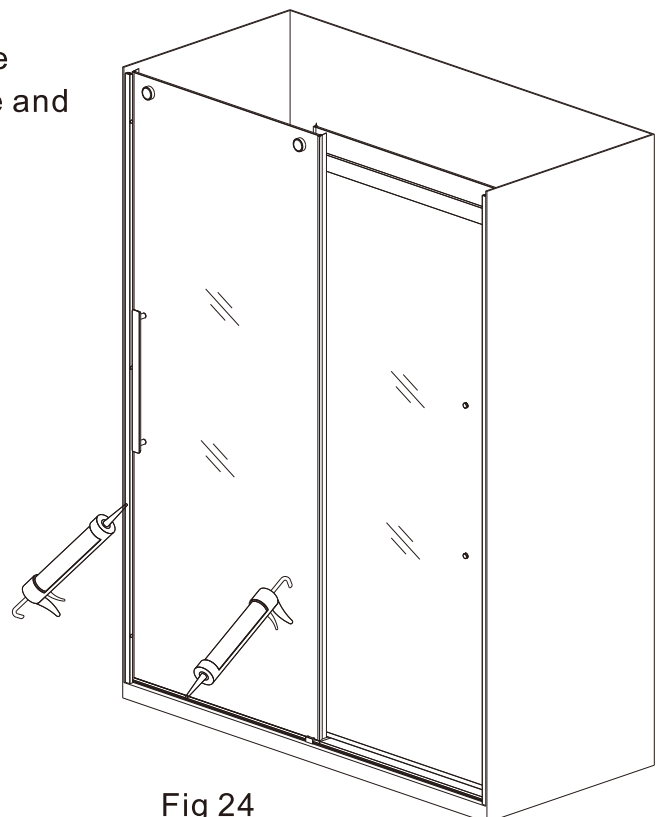


Step 19

1. Apply a good quality Silicone Sealant on the walls and threshold along the bottom profile and wall profiles (Fig 24).



Allow 24 hours for the silicone to fully cure before using the shower.



Care & Maintenance

BASES and BACK WALLS: Wipe them off after each use with a soft cloth. To clean the acrylic surface, use non-abrasive sprays or cream based cleaners. Avoid the use of aerosol spray cleaners. Never use abrasive cleansers, metal brushes, or scrapers, as they can scratch or dull the surface.

GLASS: Wipe off the glass after each use with a soft cloth or a squeegee to prevent soap buildup and water spots (hard water can etch the surface of the glass over time if left to dry). To avoid damaging the surface, never use abrasive cleaners or cleaning products that contain scouring agents. Likewise, never use bristle brushes or abrasive sponges that can scratch the surface.

HARDWARE: To ensure a long-lasting finish, wipe off the metal parts after using with a soft cloth. Do not use abrasive cleaners or cleaning products containing ammonia, bleach, or acid. If accidentally used, rinse the surface as soon as possible to prevent damage to the finish (peeling or corrosion). After cleaning the polished finishes, rinse thoroughly and wipe dry with a soft cloth. Clean stainless steel surfaces at least once a week. When applying stainless steel cleaner or polish to stainless steel hardware, work with (not across) the grain. Never use an abrasive sponge or cloth, steel wool, or wire brush, which may permanently scratch the surfaces.

NOTE: Regularly inspect the glass and all hardware for misalignment, proper attachment, and damage. Contact ANZZI with any questions or concerns.

