

# INSTALLATION MANUAL

## SINGLE-LEVER LAVATORY FAUCET



ITEM NO.:

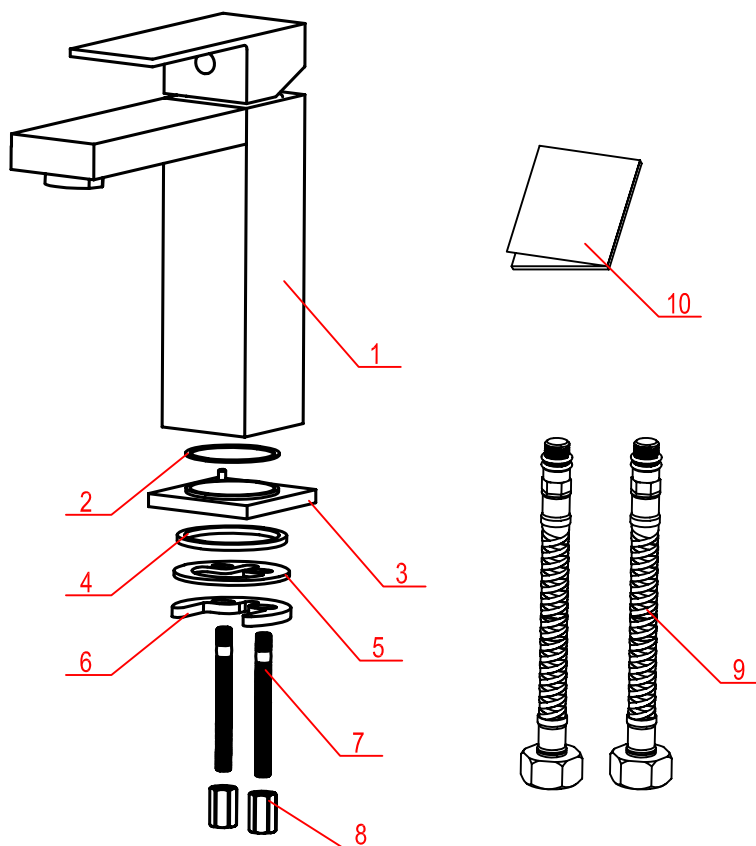
### ※ COMPONENTS CHECKING

#### LIST OF THE STANDARD COMPONENTS:

Please double-check the component list hereinafter and contact our company or our distributor for any unconformity.

#### Remarks:

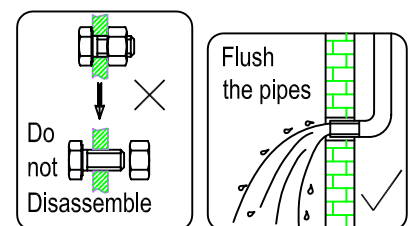
- 1, Without affecting their performing, components may be changed without further notice.
- 2, Drawings for reference only. Product size & shape refer to actual faucet.



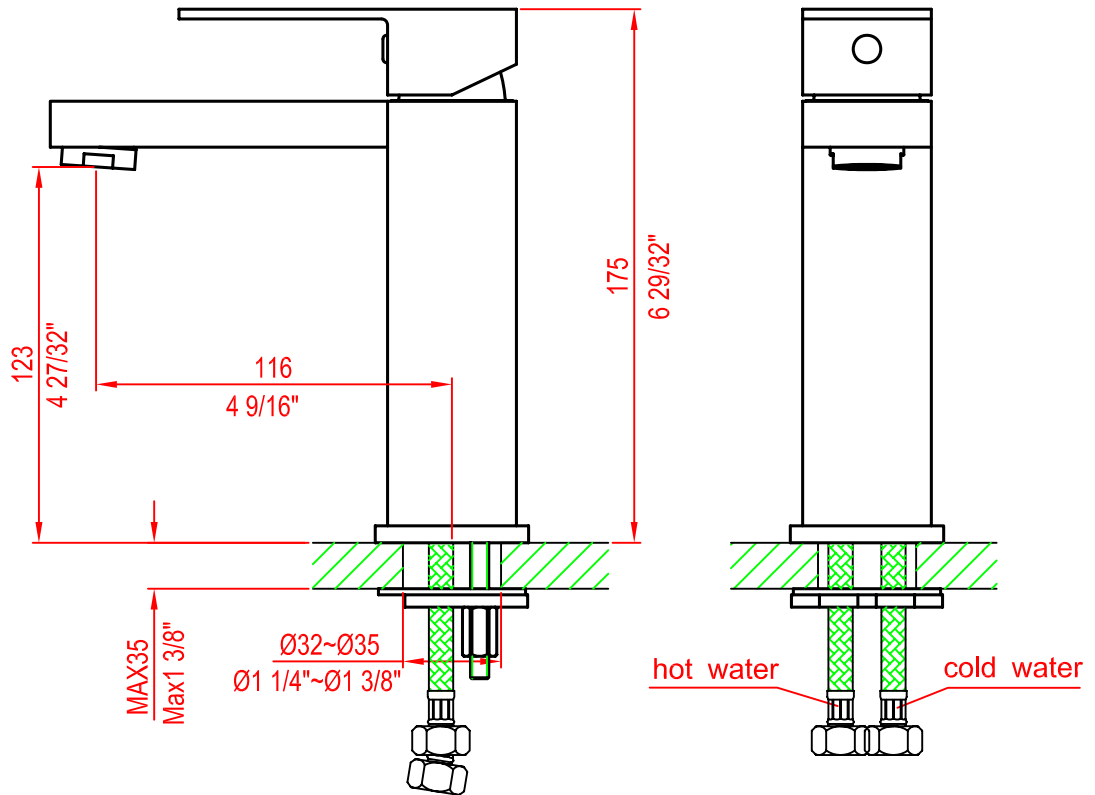
The Component List	Qty.
1. Main body	1
2. Washer A	1
3. Base	1
4. Washer B	1
5. 2-hole washer	1
6. 2-hole gasket	1
7. Long rod	2
8. Nut	2
9. Inlet pipe	2
10. Installation manual	1

### ※ Installation Instructions

- ☆ Do not disassemble the main body, as it has been installed & commissioned correctly & precisely before leaving the factory.
- ☆ To avoid the faucet from jamming, do flush the water pipe before installation.
- ☆ After installation, make sure every joint safely sealed & no leaking.
- ☆ The nominal water pressure is 0.05 - 1.0Mpa (including cold & hot water pressure), suitable for water temperature : 4°C - 90°C.
- ☆ Make sure to connect the hot/cold inlet pipe correctly, if standing in front, hot water pipe connecting to the left & cold water pipe connecting to the right.



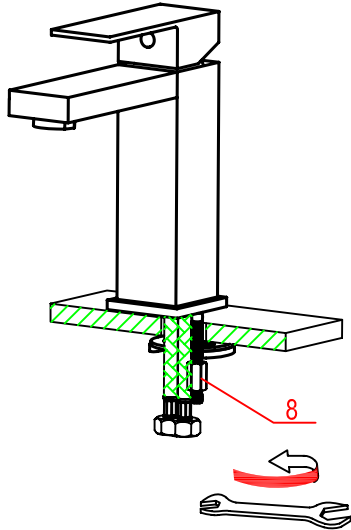
## ※ Dimension Drawing



## ※ Installation Procedures

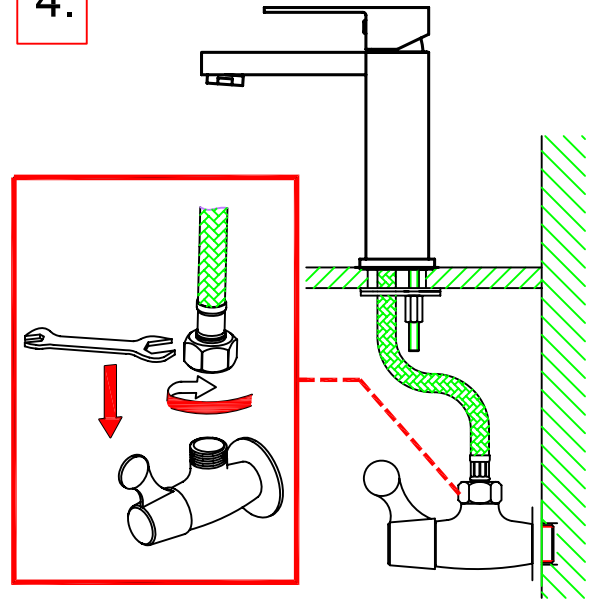
<p>1.</p>	<p>2.</p>
<p>1. Make a hole of Ø32~Ø35 on the basin deck, screw off the nut (8) from the long rod (7), screw the long rod (7) and the inlet pipe(9) onto the main body(1), put the main body into the hole with the washer A (2) , the base(3) and the washer B(4) between basin deck and the main body.</p>	<p>2. Fixing the faucet from downside the basin deck, with 2-hole washer(5), 2-hole gasket(6) and the nut(8).</p>

3.



3. After adjusting the direction of the main body and base, tightening the nut(8) with a spanner.

4.

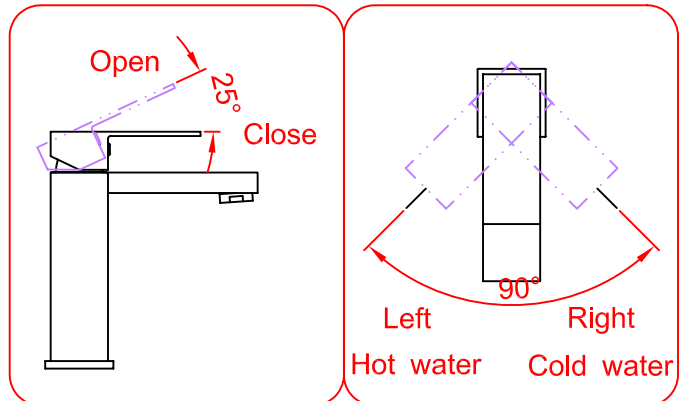


4. Connect the water inlet pipes to the angle valves with fine sealing.

### ※ Usage:

☆ How to operate the handle

- 1) Raise the handle lever up for opening water, push down to close;
- 2) Turn the handle lever to the left to increase hot water flow to higher water temperature, and lower the water temperature by operating.



### ※ Cleaning & Maintenance

☆ To keep the product clean & shining, follow the steps as below:

1. Flush with clean water & dry with soft cloth only;
2. If any dirt, clean with soft liquid or transparent glass detergent.
3. Do not use any scrubbing detergent, polisher, sand-cloth, paper tissue or scraper.
4. Do not use acid detergent, indissolvable grain-like detergent or soap.
5. Circumrotate the aerator off and clean it when necessary.



※ This installation instruction is only for your reference, the final right to explain & to revise it belongs to us.

Serial number: