

SHOWER SEAT INSTALLATION INSTRUCTIONS

INSTALLATION INSTRUCTIONS

Place a blanket down in the area that you will be installing the Seat to protect the shower or bathtub surfaces from parts that may fall during installation.

A1. Identify the horizontal and vertical location of the seat. Specifically, identify the location of the top hole on one side of the wall bracket as shown in **Figure 1 (a)**.

A2. Notch the tile accurately with a center punch as shown in **Figure 2**. **NOTE:** A light tap is all that is required for punch to make notch.

A3. Drill hole for appropriate fastener as shown in **Figure 3**. Clear away debris from hole that could interfere with the seat sitting flush with the wall.

A4. Secure wall bracket using appropriate fasteners. Ensure the screw goes in as straight as possible so the flat head of the screw is within the countersunk area as shown in **Figure 4**. If it protrudes out, it may interfere with the sliding removal of the backrest panels.

A5. Once attached, use level as shown in **Figure 1 (b)** to ensure seat is straight. Identify the location of the top hole on the opposite wall bracket. **IMPORTANT:** Ensure distance between the wall brackets allows for easy sliding of the back rest panels (do not cause unit to bend inwards).

Repeat steps A2 thru A4 first for the top hole on the opposite wall bracket and ensure it is level. Repeat steps A2 thru A4 the remaining holes.

NOTE: Perform a final tightening and inspection of all fasteners. Test the installation by pushing down / sitting on the seat.

A6. Once all screws are installed, the backrest panels can be slid onto the wall bracket as shown below. Ensure the orientation of each seat panel is correct.

Your Seat is now installed.

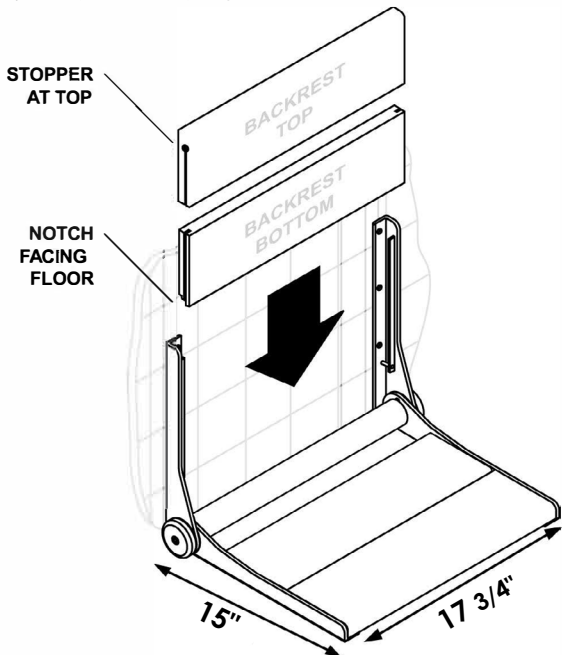


Figure 1.

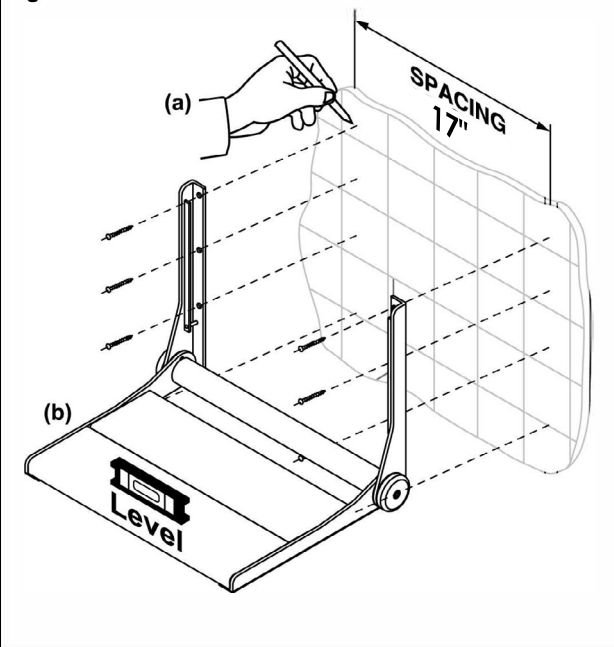


Figure 2.

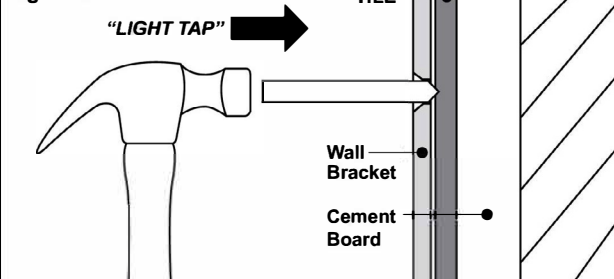


Figure 3.

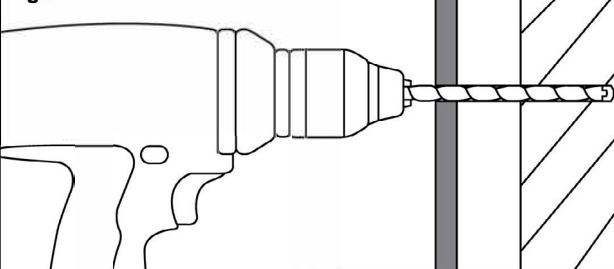
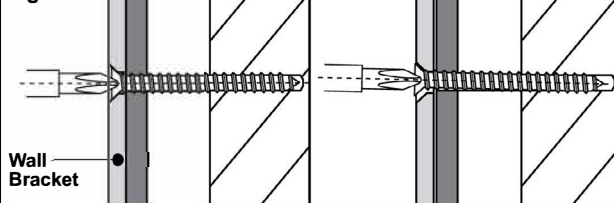


Figure 4.



CORRECT!
Flat head installed STRAIGHT in countersunk hole

INCORRECT!
Flat head installed ON AN ANGLE in countersunk hole

IMPORTANT: When properly installed, the maximum safe loading weight on this seat is 320 lbs.