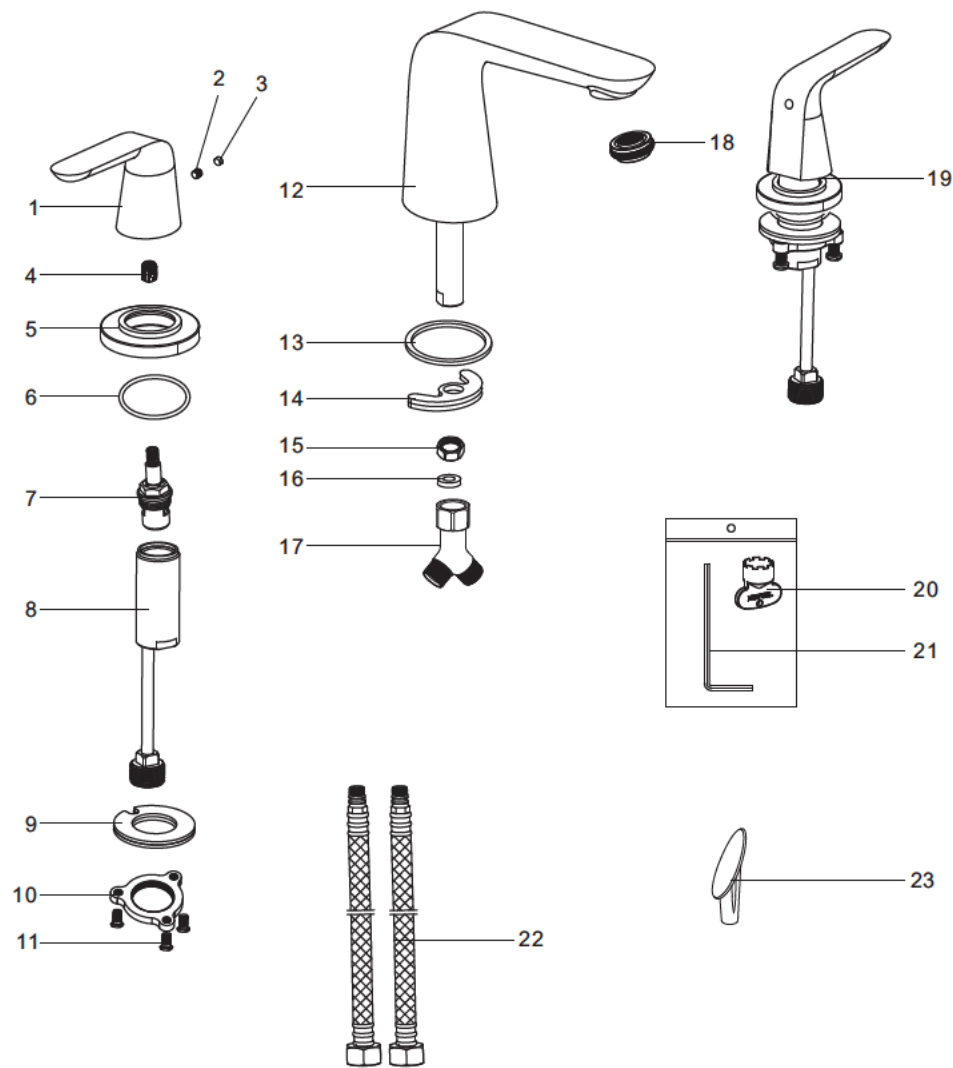
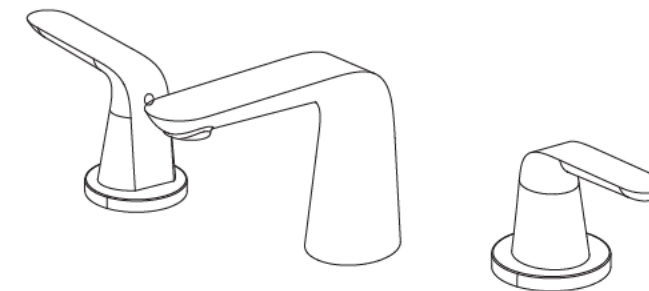


Step 4 Parts list



NO.	PART NAME
1	Handle
2	Screw
3	Handle button
4	Adapter
5	Handle flange
6	O ring
7	Cartridge(hot water)
8	Inlet pipe
9	Gasket assembly
10	Lock nut
11	Screw
12	Spout
13	O ring
14	Gasket assembly
15	Lock nut
16	Washer
17	Connector
18	Aerator
19	Cartridge(cold water)
20	Aerator wrench
21	Allen key
22	Flexible hose
23	Plug

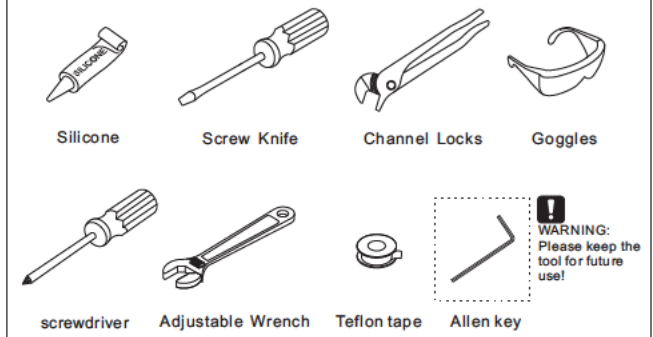


WIDE SPREAD LAVATORY FAUCET



ASME A112.18.1/CSAB125.1

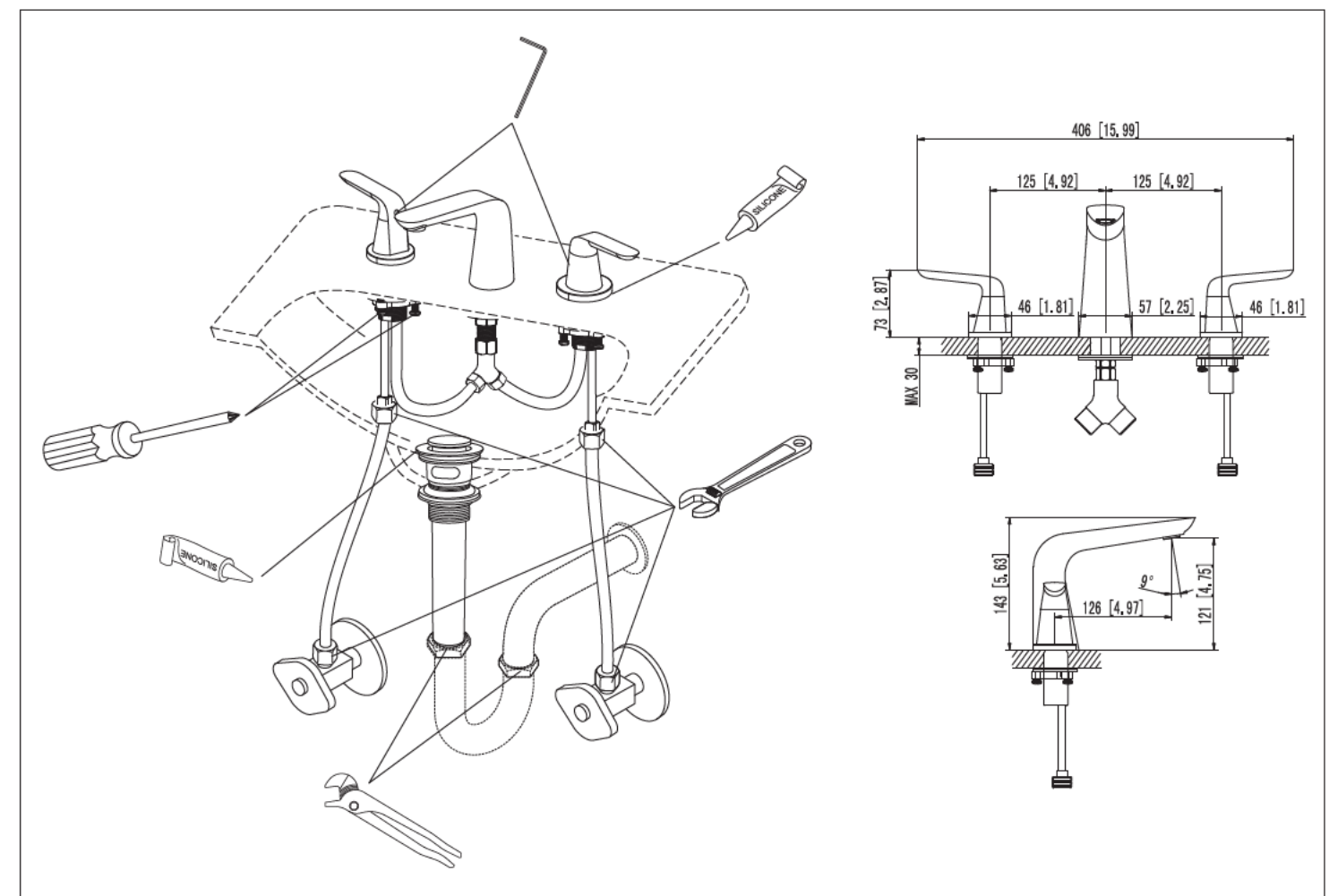
RECOMMENDED TOOLS



Attention:
for easy installation, you will need:
1. To read all the installation instruction completely before beginning.
2. To read all the warning, attention and maintenance information.
3. To purchase the proper supply lines.

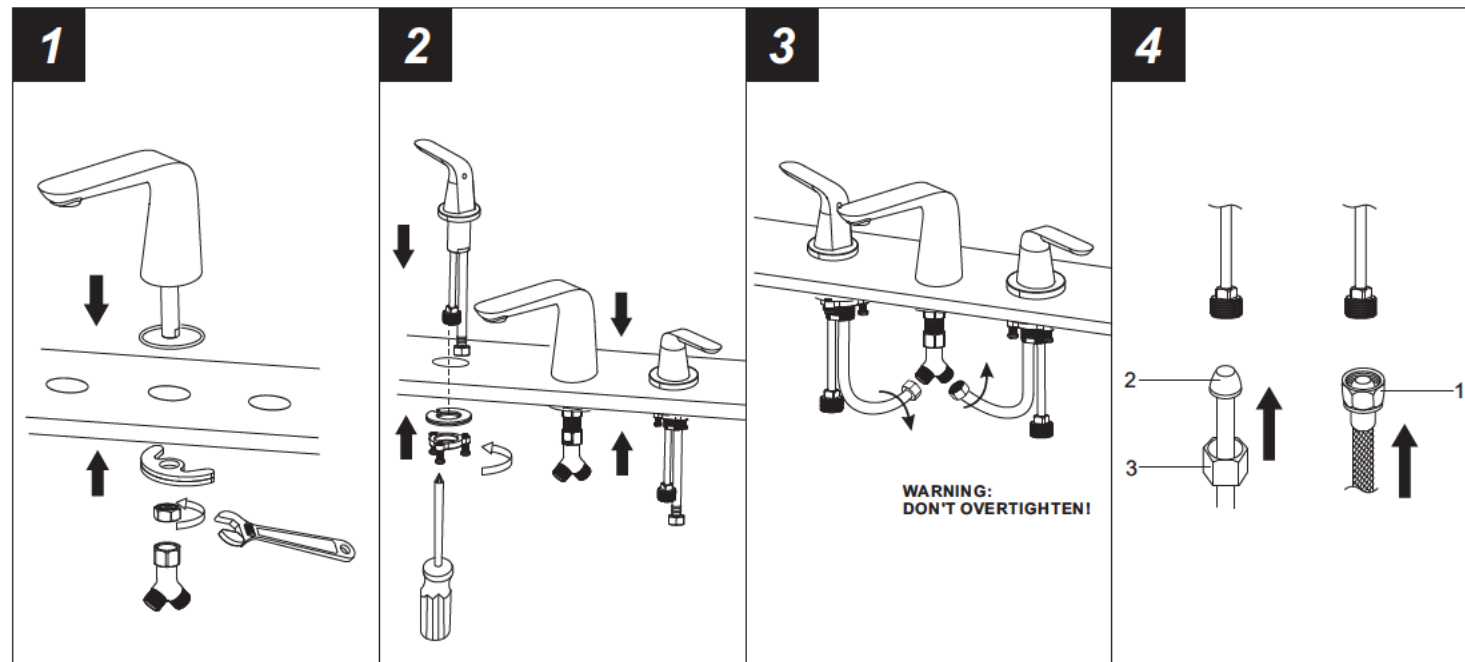
WARNING:
Please keep the tool for future use!

The tools might be applied to the following places:



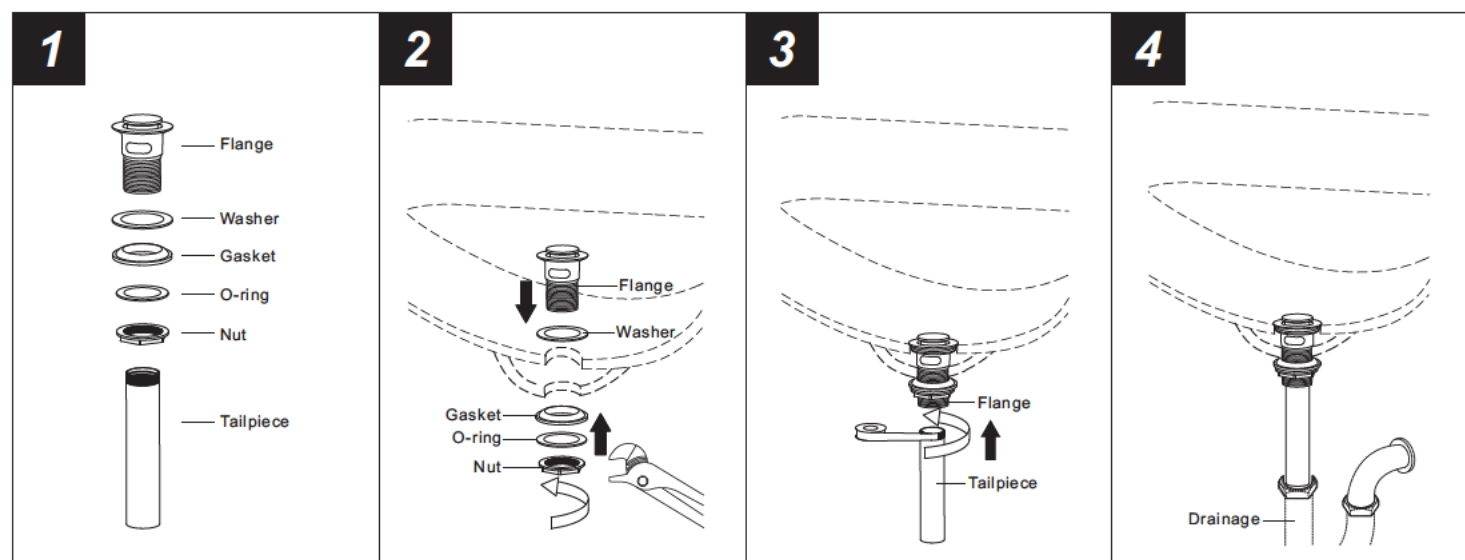
Step 1 Faucet and pop-up installation

Faucet installation



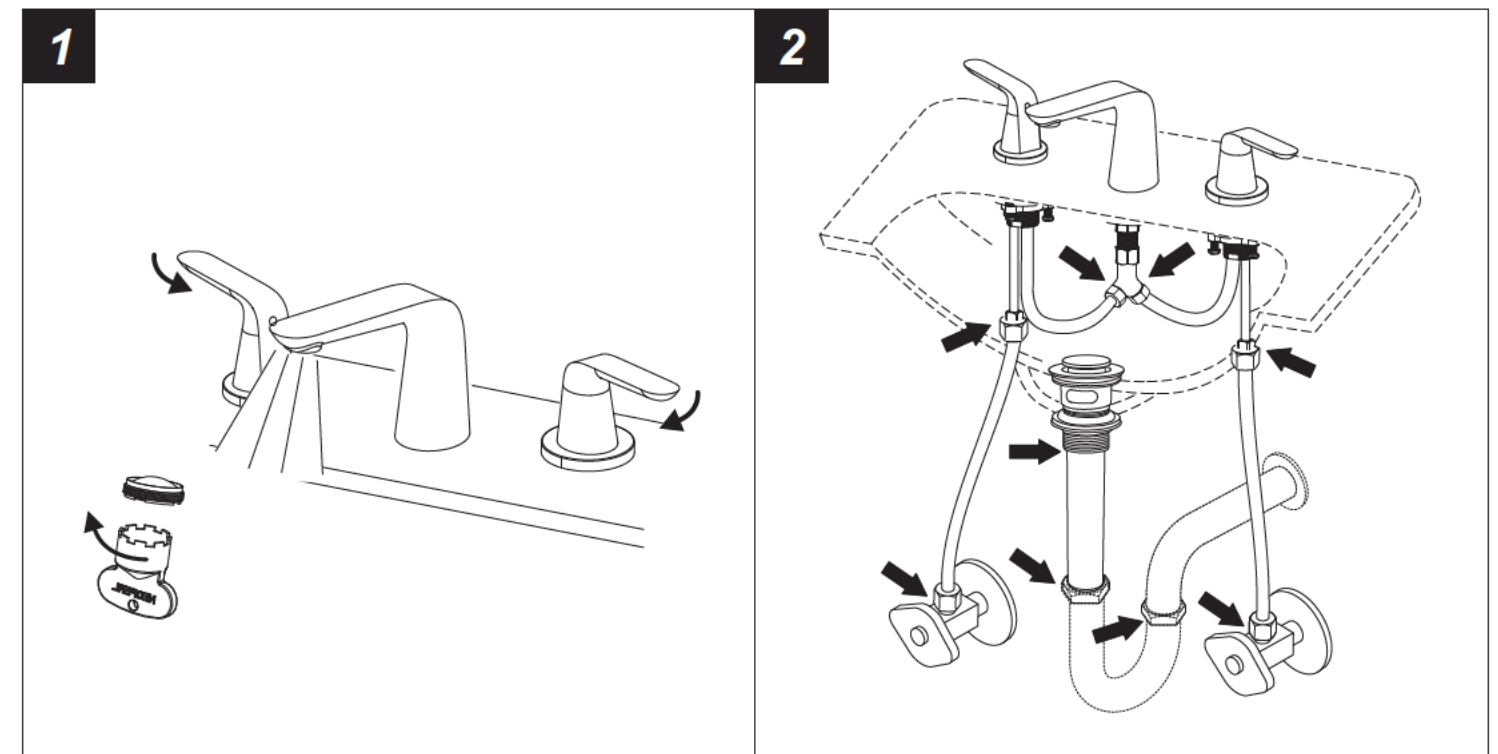
1. Position the body with o-ring in the installation surface as shown and secure it with gasket assembly and tighten the lock nut with adjustable wrench. Then assemble the connector assembly to the faucet and tighten it with adjustable wrench.
2. Position the handle in installation surface as shown and secure it with fixing kit and tighten the screw with screwdriver. Repeat the above steps for the other handle.
Caution: please be caution with the position of hot and cold handles.
3. Assemble the flexible hose to the inlet first by hand, then fix the nut-end to the body and tighten it with wrench.
4. Make connections to water lines. Use 1/2" IPS faucet connections #1, or use 3/8" O.D. ball nose risers #2 with coupling nuts #3. Use wrenches to tighten connections. Take care to not overtighten.

Pop-up installation



1. Remove the flange as shown in the above photo.
2. Put the flange and washer on the drain hole and assemble the gasket, o-ring and nut from underneath the basin. Tighten the nut with spanner. **DON'T OVERTIGHTEN THE NUT.**
3. Apply teflon tape to the tailpiece and connect it to the flange.
4. Connect the tailpiece to drainage.

Step 2 Checking and testing



1. Remove the aerator by aerator wrench. Turn the faucet handle all the way on, turn on hot and cold water supply and flush water lines for one minute. Reinstall aerator by aerator wrench.
2. Check all connections at arrows for leaks, re-tighten it if necessary.



BUT DON'T OVERTIGHTEN

Step 3 Cleaning and care

Daily cleaning and care are required in order to keep the product shining and properly working.

- 1 Clean it with water and dry it with soft cloth.
- 2 Clean the product with gentle liquid or glass cleaner.
- 3 Don't use acid cleaner.
- 4 Don't clean with abrasive material, abrasive paper or knife.