

## Aquia IV Arc® WASHLET®+ C5 Two-Piece Toilet - 1.28 & 0.9 GPF

### FEATURES

- Concealed supply connection for seamless installation
- DYNAMAX TORNADO FLUSH® utilizes 360° cleaning power to reach every part of the bowl
- Ultra high-efficiency dual flush 1.28 & 0.9 GPF (4.8 & 3.4 LPF)
- CEFIONTECT® ceramic glaze minimizes waste from sticking to porous ceramic surfaces
- Completely skirted design for a sleek and understated look that's easier to clean
- UNIVERSAL HEIGHT
- Chrome plated trip lever
- 12" Rough-in
- Elongated front bowl and WASHLET+ C5 and tank set
- EWATER+® auto-cleans wand
- On-demand remote function cleans wand with EWATER+
- PREMIST® of bowl before each use
- Convenient slim wireless remote, with illuminated touchpad

### MODELS

- **MW4483084CEMFGN (#01)**  
With CEFIONTECT ceramic glaze, WASHLET+ C5
- **CT446CEFGNT40**  
Elongated bowl with CEFIONTECT
- **ST448EMNA**  
Tank and cover only
- **SW3084T40**  
WASHLET+ C5
- **9AU321-A**

### OPTIONAL COMPONENTS

- **TSU48.10**  
10" Unifit Rough-In
- **TSU48.14**  
14" Unifit Rough-In

### COLORS/FINISHES

- #01 Cotton



**DYNAMAX  
TORNADO FLUSH**

**U UNIVERSAL HEIGHT**

**CEFIONTECT**

**EWATER+**

### PRODUCT SPECIFICATION

The two-piece, ultra high-efficiency, DYNAMAX TORNADO FLUSH toilet shall be dual flush 1.28 GPF/0.9 GPF. Toilet shall be coated with CEFIONTECT, elongated front bowl, high profile tank, UNIVERSAL HEIGHT, complete skirted bowl and chrome trip lever. Toilet shall be TOTO Model MW4483084CEMFGN#01.

### CODES/STANDARDS

- Meets and exceeds ASME A112.19.2/CSA B45.1, ASME A112.19.14
- Certifications: IAPMO(cUPC®), EPA WaterSense, State of Massachusetts and others
- Code Compliance: UPC, IPC, NSPC, NPC Canada, and others
- Legislative Compliance: California Green Building Code, City of Los Angeles Water Efficiency Ordinance, and others
- Complies with CA Prop 65 warning requirements
- ADA compliant when installed with trip lever on the approach side



# MW4483084CEMFGN

## Aquia IV Arc® WASHLET®+ C5 Two-Piece Toilet - 1.28 & 0.9 GPF

### SPECIFICATIONS

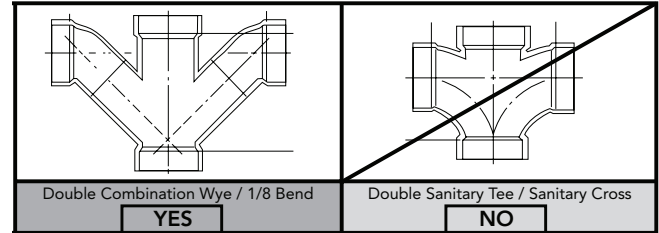
<b>Water Use</b>	1.28 & 0.9 GPF (4.8 & 3.4 LPF)
<b>Flush System</b>	DYNAMAX TORNADO FLUSH®
<b>Min. Water Pressure</b>	8 psi (Flowing)
<b>Water Surface</b>	7" x 5"
<b>Trap Diameter</b>	2-1/4"
<b>Rough-in</b>	12" (10" and 14" options available)
<b>Trap Seal</b>	2-1/8"
<b>Warranty</b>	One Year Limited Warranty
<b>Material</b>	Vitreous China
<b>Shipping Weight</b>	<b>CT446CEFGNT40</b> 83 lbs. <b>ST448EMNA</b> 29 lbs.
<b>Shipping Dimensions</b>	<b>CT446CEFGNT40</b> 29-5/8" L x 16-3/8" W x 19-3/4" H <b>ST448EMNA</b> 20-1/2" L x 8-3/4" W x 17-1/2" H

See SW3084T40 Specification Sheet for details on included WASHLET.

### INSTALLATION NOTES

#### Back-to-Back Toilet Installations:

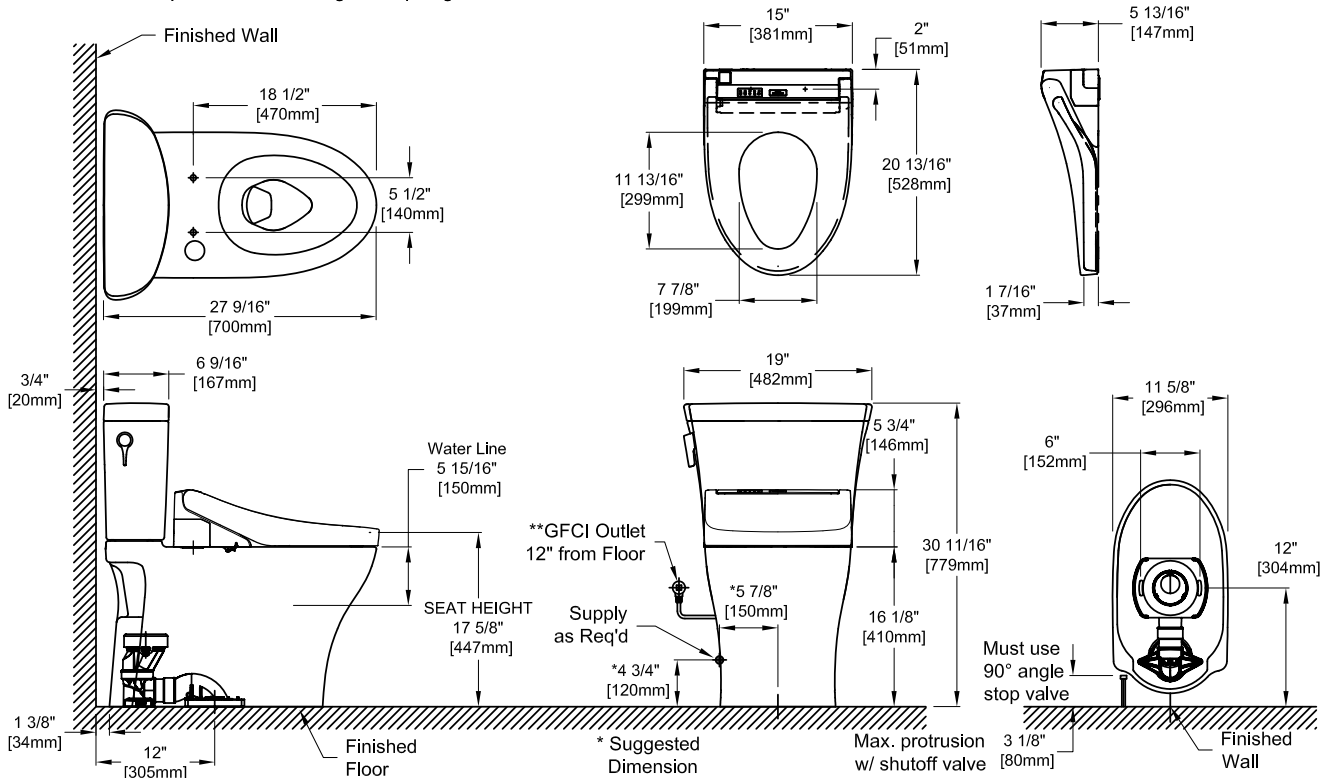
TOTO recommends the use of a nationally listed, double sanitary tee-wye only, in vertical waste stacks, in accordance with the stipulations noted in the majority of nationally recognized plumbing codes.



To maintain adequate wall gap between the back of the tank and wall, mount the floor flange at a nominal 12" rough-in distance.

### DIMENSIONS

\*\*GFCI outlet of 120V, 10amps.  
Washlet power cord is 4' long with 3 prongs.



**TOTO®**

These dimensions and specifications are subject to change without notice