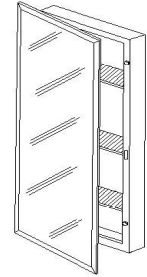


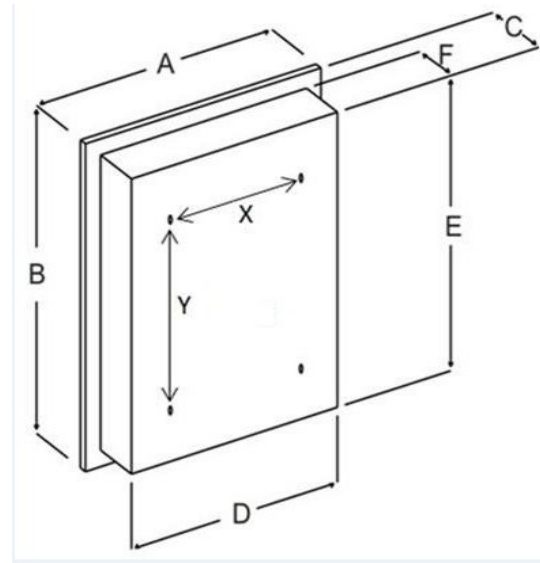
### Topsider MEDICINE CABINET



#### FEATURES/TYPICAL SPECIFICATIONS

- Surface Mount Installation
  - Pre-drilled mounting holes spacing: y = 11.5" center-to-center and x = 11.0" center-to-center
- Formed and welded steel housing (WB/ST)
  - 25 gauge steel construction with white, heat cured, acrylic paint finish
- Frameless mirror door
  - 1/8" thick float glass mirror door with polished edges, 4 sides
  - 26 gauge steel door back with white, heat cured, acrylic paint finish
- Reversible for left-hand or right-hand door swing
- Magnetic catch in cabinet body flange aligns to stainless steel striker plate on the door (1 typical)
- 16" piano hinge welded to the door and mechanically fastened to the cabinet body (HG01) (1 typical)
- 26 gauge galvanized steel shelves with white, heat cured, enamel paint finish (3 typical)
  - Fixed shelves — removable (FX2)
- Includes installation hardware
- Pallet Quantity = 42 units

Housing: PT01-Basic White  
 Mirror: POL1-Polished Edge  
 Frame: Frameless



Model #	Description	Dimensions In Inches					
		A	B	C	D	E	F
235P26WH	MEDCAB 1DR 16X26 FMLS WB/ST	16	26	5	15½	25½	4½

REFERENCE	QTY.	REMARKS	Project
			Location
			Architect
			Engineer
			Contractor
			Submitted by
			Date

\* All models and material specifications are subject to change or withdrawal without notice.