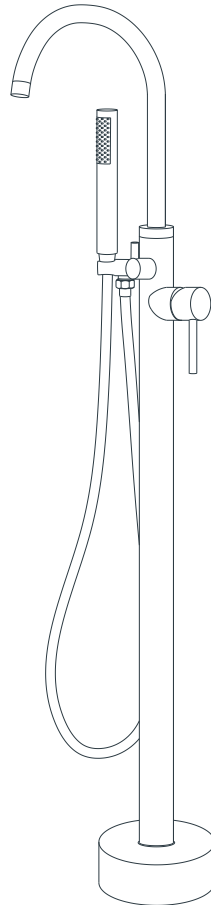


ANZZI®

ITEM:FS-AZ0047**
ANZZI Freestanding Tub Filler
INSTALLATION & OPERATION MANUAL

V2.1
03/03/2023



DON'T WAIT! REGISTER NOW!

Register your product within 90 days to ensure your product is recognized as an official purchase and is eligible for warranty coverage.

Mail in the completed registry card (Pg. 2) or register online at www.swcorp.com/register.



PRODUCT REGISTRATION*

IMPORTANT: YOUR WARRANTY WILL NOT BE RECOGNIZED UNLESS THIS CARD IS FULLY COMPLETED AND RETURNED OR ONLINE REGISTRATION IS COMPLETED.

To ensure that your warranty is registered and confirmed please do one of the following:

1. Register online at www.swcorp.com/register. You will be asked to fill out the same information you would in the registration card. Registering online is fast, secure and ensures we receive your information.
2. Complete, cut out and mail the registration card below. By returning this registration card we confirm the date of purchase for your new product. This confirmation will allow us to process any warranty claims.

Mail the card to: 5701 NW 35 Avenue, Miami, FL 33142



Product Registration Card

Name..... Address

City..... State..... Zip.....

Phone..... Email.....

Date of Purchase Order or Purchase # SKU or Model #

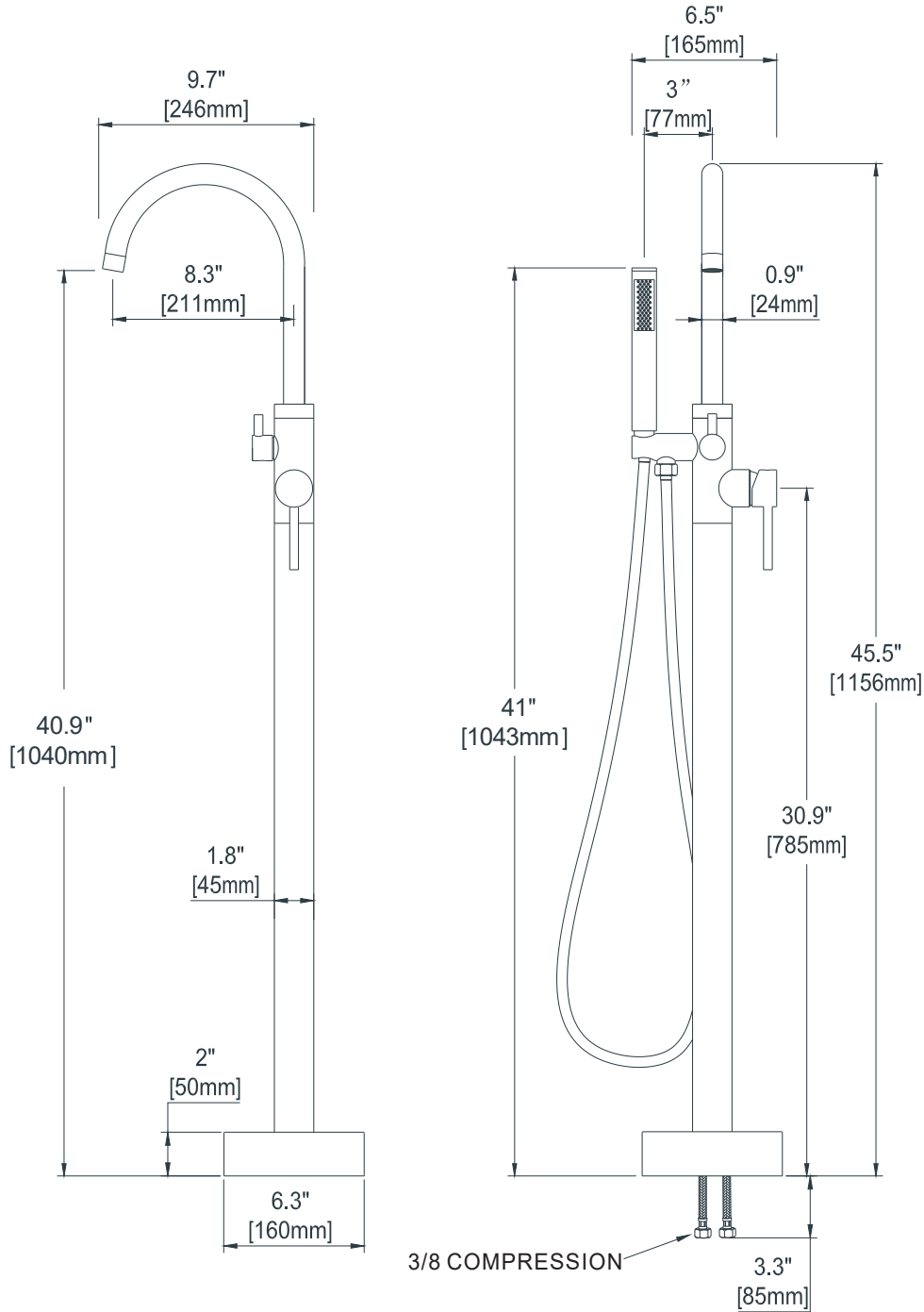
Installer's Name Phone

I have read the Owner's Manual carefully and understand and agree that any installation, operation or maintenance of the product must be done strictly in accordance with instructions and guidelines contained in the owner's manual and installation guide.

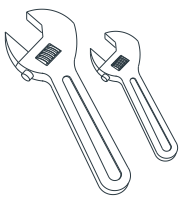
Signature..... Date.....

Need help? For technical support call 305-614-4070 or visit us at www.ANZZI.com

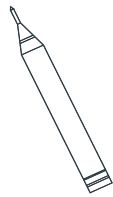
PRODUCT SIZE CHART



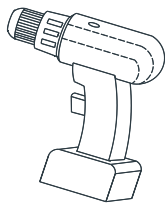
TOOLS AND MATERIALS



Wrench



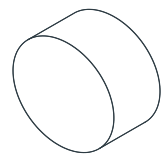
Marker Pen



Drill

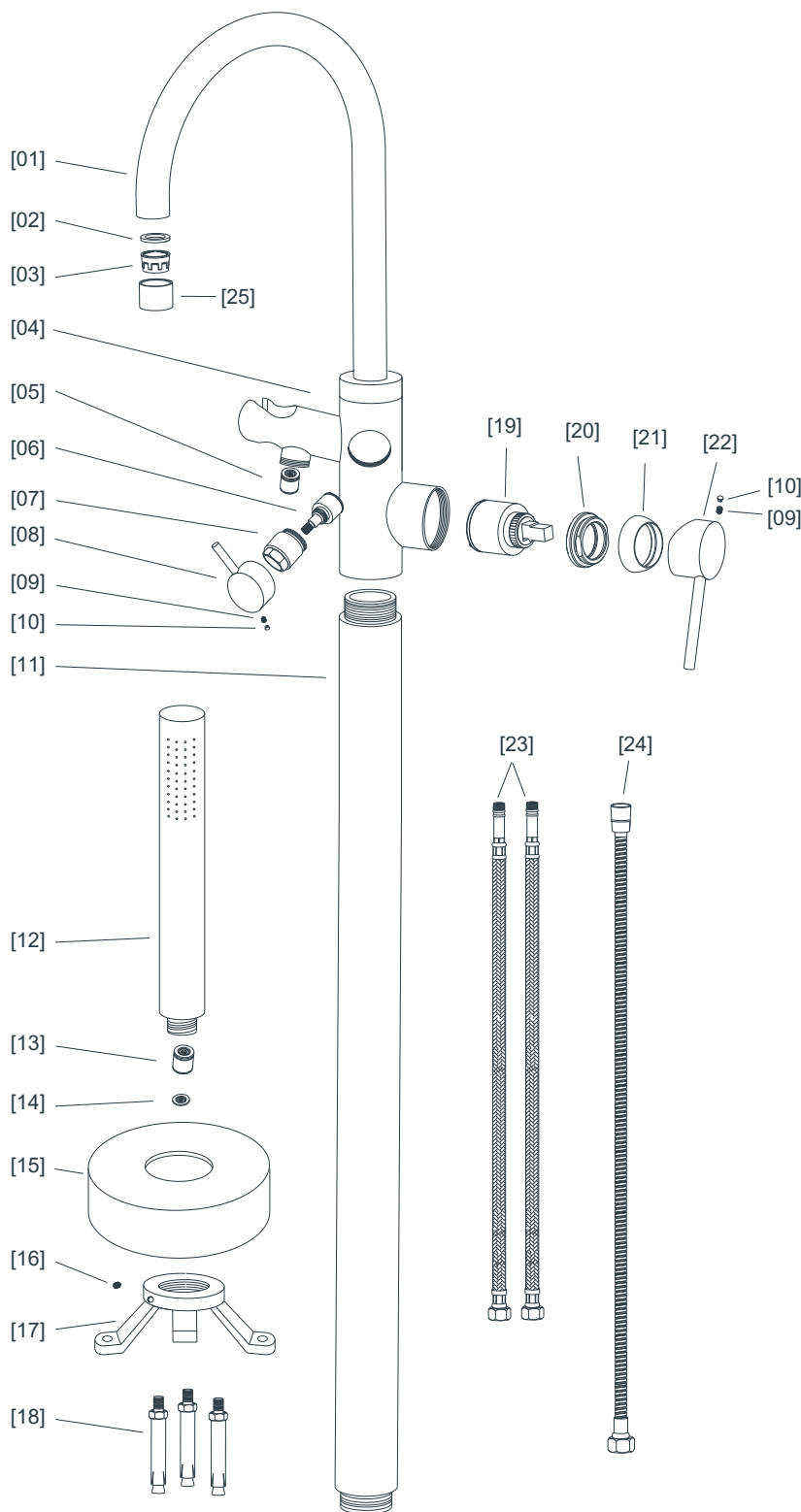


25/64" (10mm)
Drill Bit



2" Hole Saw

COMPONENT



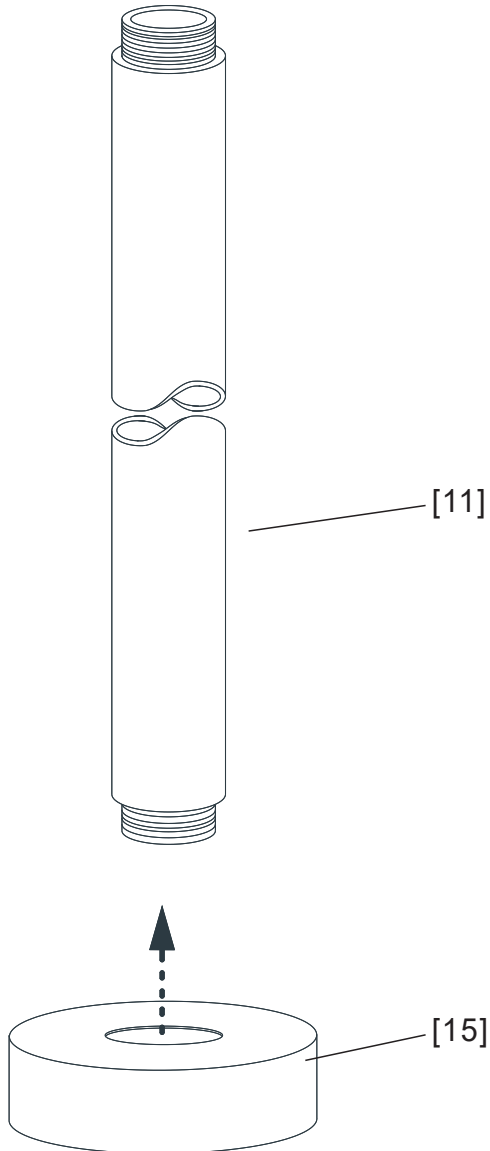
Part	Description	Qty
[01]	Spout	1
[02]	Gasket	1
[03]	Flow Regulator	1
[04]	Faucet	1
[05]	Check Valve	1
[06]	Diverter	1
[07]	Retainer(Diverter)	1
[08]	Handle(Diverter)	1
[09]	Screw	2
[10]	Cap	2
[11]	Post	1
[12]	Hand Shower	1
[13]	Check Valve	1
[14]	Gasket	1
[15]	Escutcheon	1
[16]	Screw	1
[17]	Anchor	1
[18]	Expansion Screw	3
[19]	Cartridge	1
[20]	Retainer	1
[21]	Cover	1
[22]	Handle	1
[23]	Inlet Hose	2
[24]	Shower Hose	1
[25]	Housing	1

Before installation:

1. Please check that all components are present.
2. Ensure that all supply lines are free of debris with supply stops installed.
3. Ensure water pressure is between 20-125 PSI.
4. If you are having difficulties on installation, please contact a professional plumber.

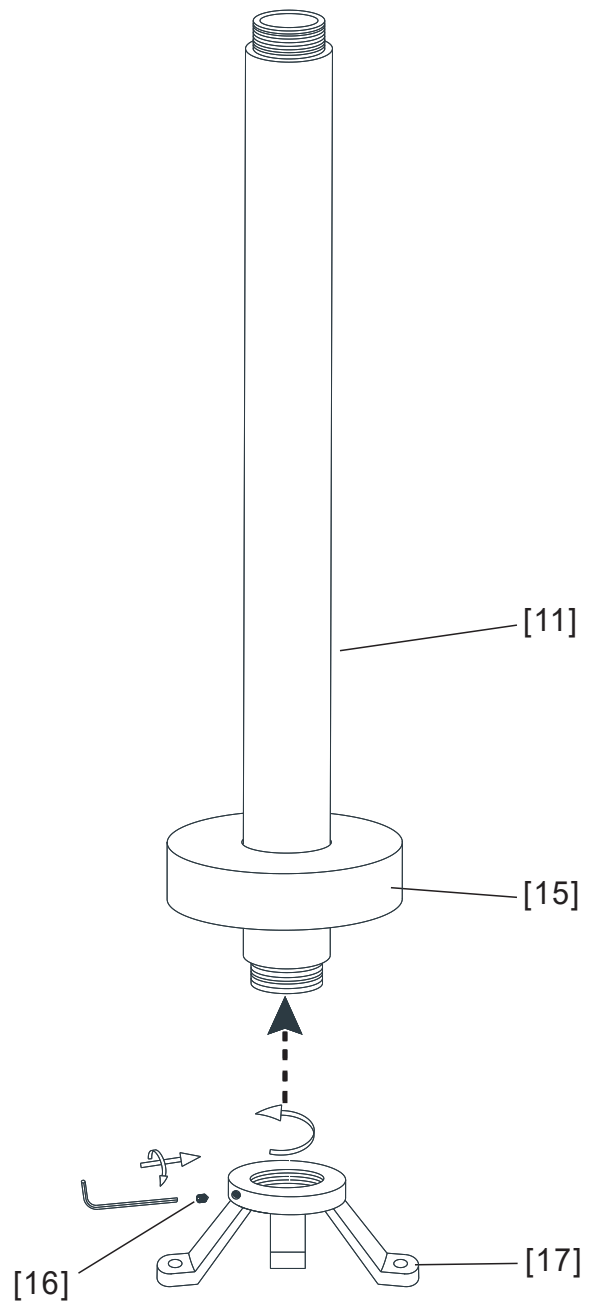
INSTALLATION

1



STEP 1:
Slide the **Escutcheon [15]** onto the **Post [11]**.

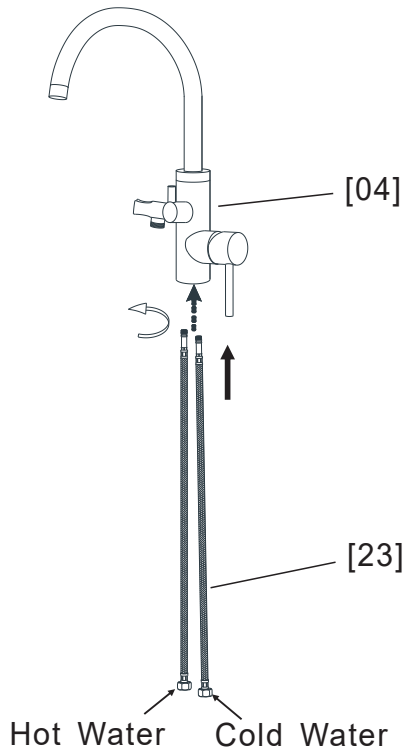
2



STEP 2:
Install the **Anchor [17]** to the **Post [11]** and hand tighten it. Secure the **Screw [16]** on side by Allen Key.

INSTALLATION

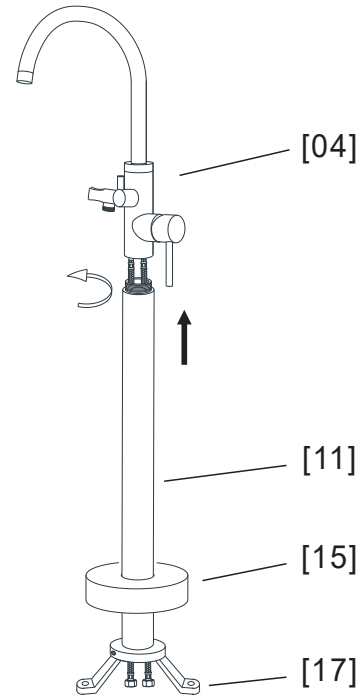
3



STEP 3:
Install the **Inlet Hoses [23]** to the **Faucet [04]** and secure.

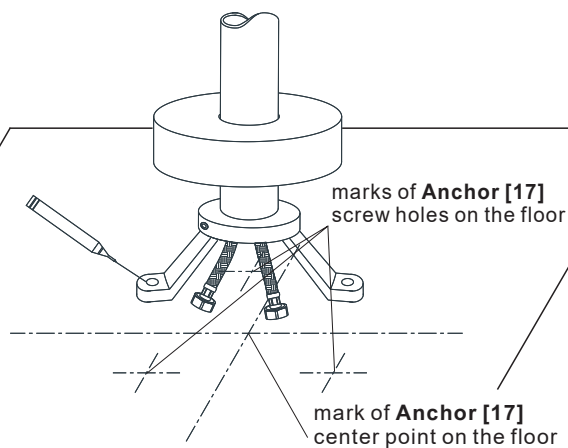
Note: Make sure to connect the **Inlet Hose [23]** labeled "Hot" to the **Faucet [04]** inlet marked "H" and the **Inlet Hose [23]** labeled "Cold" to the **Faucet [04]** inlet marked "C".

4



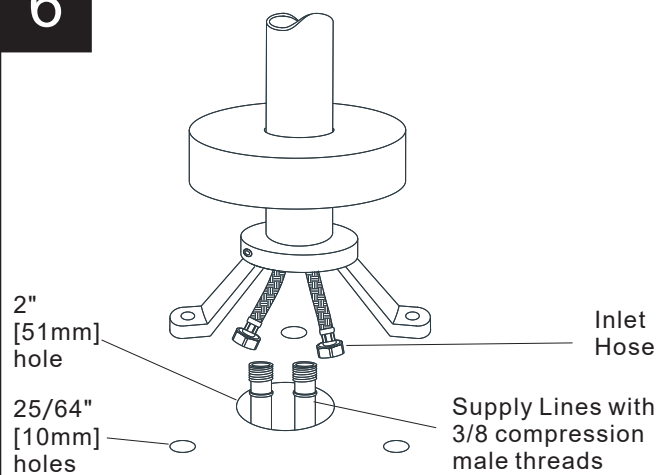
STEP 4:
Slide the **Inlet Hose [23]** through the **Post [11]** and the **Anchor [17]**. Install the **Post [11]** to the **Faucet [04]** and tighten it.

5



STEP 5:
Position the **Faucet [04]** over the intended installation spot. Mark the center point on the floor. Then, mark the **Anchor [17]** screw holes on the floor.

6



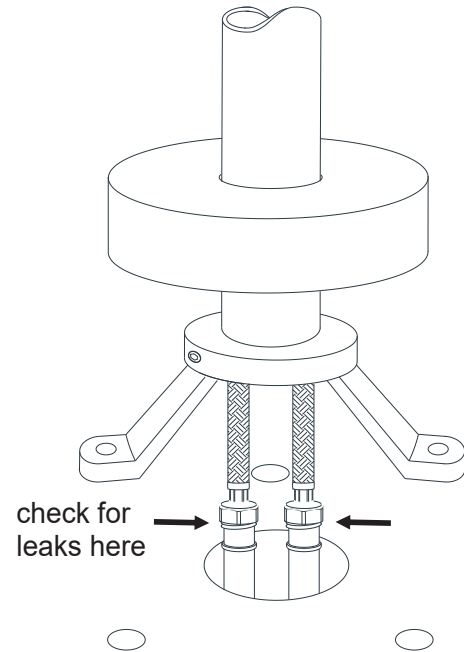
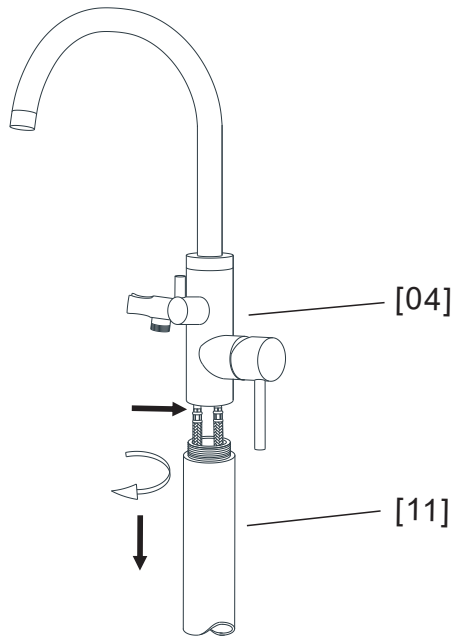
STEP 6:

- Drill a 2" [51mm] hole into the floor, see Fig. 6.
- Drill three 25/64" [10mm] holes into the concrete floor. If floor is composed of wood, then there is no need for drilling.
- Connect the **Inlet Hoses [23]** to the water supply lines (which should be protruding from the ground and have matching male threading).

Note: Make sure to connect the **Inlet Hose [23]** labeled "Hot" to the hot water supply line and the **Inlet Hose [23]** labeled "Cold" to the cold water supply line.

INSTALLATION

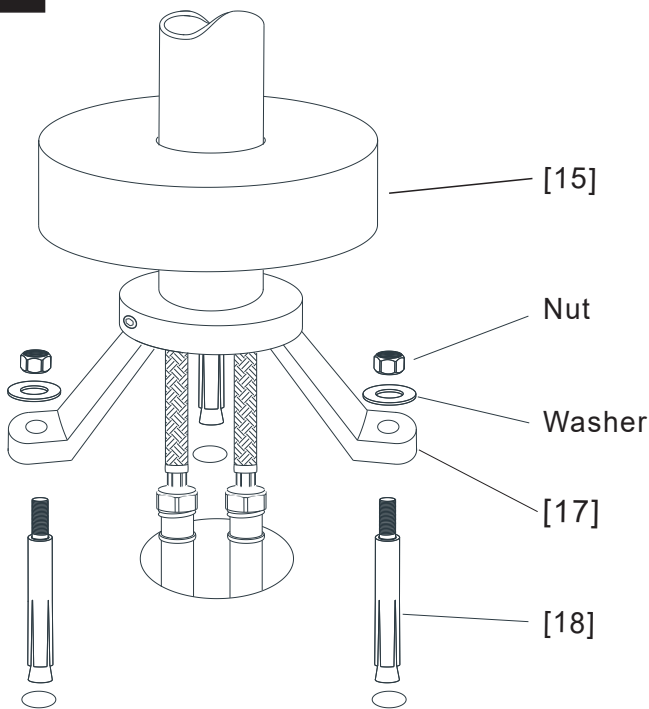
7



STEP 7:

- Unscrew the **Post [11]**.
- Turn on hot and cold water supplies and check connections at arrows for leaks.
- Connect the **Post [11]** to the **Faucet [04]** again. Tighten the **Post [11]** to secure.

8

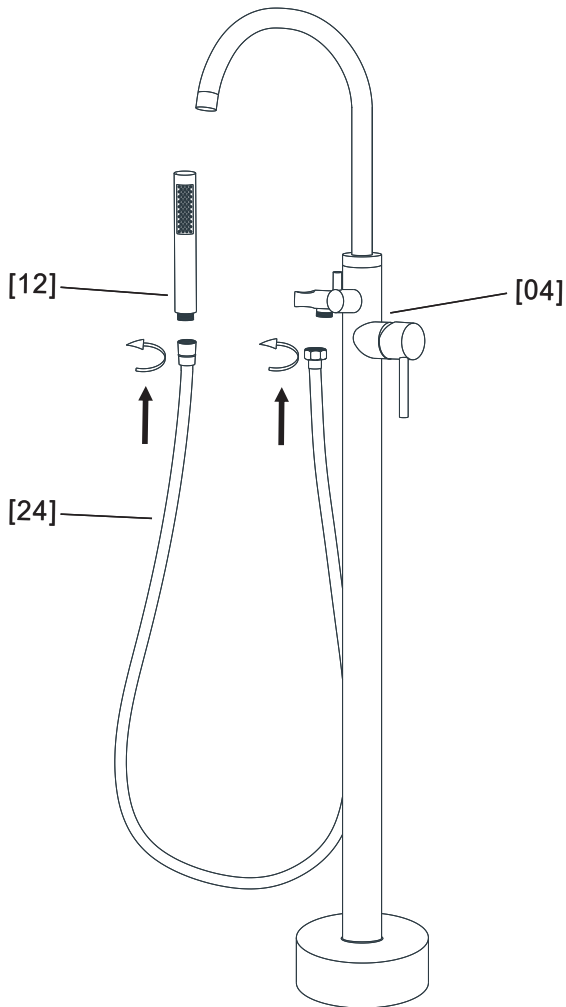


STEP 8:

- Install the **Expansion Screws [18]** for concrete floor. Position the **Anchor [17]** of the faucet through the **Expansion Screw [18]**, slide the **Washers** onto the **Anchor [17]** and secure it by tightening the **Nuts**.
 - For the wooden floor, please secure the faucet with #14 Phillips pan head self-taping screws (not provided).
- Slide the **Escutcheon [15]** to the floor to cover the **Anchor [17]**.

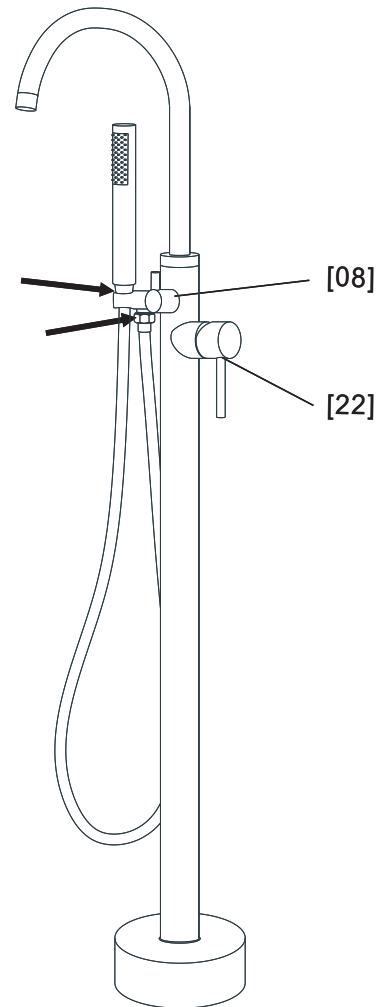
INSTALLATION

9



STEP 9:
Install and secure the **Hand Shower [12]** and **Shower Hose [24]** to the faucet as the figure shows.
Note: Make sure there are washers between the connections.

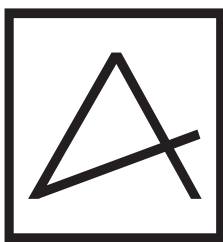
10



STEP 10:
Open the **Handle [22]**, then turn the **Handle (Diverter) [08]** to check the flow of spout and hand shower. Check connections at arrows for leaks. Retighten if necessary, but do not over tighten.

CLEANING & MAINTENANCE

1. To preserve the finish on the metallic parts of your ANZZI faucet, apply non-abrasive wax, such as car wax. Any cleaners should be rinsed off immediately.
2. Clean the flow regulator regularly for calcium build up or any blockage that reducing water flow.



ANZZI®