

ECOPOWER® Ultra High-Efficiency Urinal Flush Valve, 0.125 GPF

FEATURES

- 0.125 GPF
- Self-powered hydroelectric flush valve system
- No minimum daily usage requirement
- 14" x 12" stainless steel cover plate with solid bronze valve body
- Neutral rough-in and adjustable tail piece connection
- Manual flush override
- Smart sensor with self-adjusting detection range
- 6-second detection time to prevent ghost flushing
- Contributes to earning credits in LEED®
- Protects trap seal with a maintenance flush if not used in a 12 hr period
- IoT-enabled options available to remotely monitor usage rates, water consumption, fixture performance and streamline operations in real time with instant alerts

OPTIONAL ACCESSORIES

- **Z-4000-J**
Adapter for ground joint angle stops

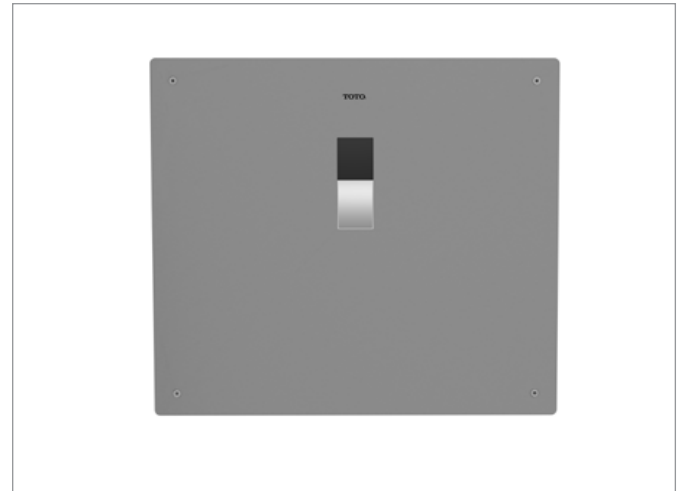
COLORS/FINISHES

- #SS Stainless Steel

MODELS

Kit Options	Component Breakdown		
	Flush Valve	Vacuum Breaker Set	IoT Card
TEU2UAI11#SS	TEU2UAI#SS	VB1311R#RB (back spud)	*
TEU2UAI12#SS	TEU2UAI#SS	VB0912R#RB (top spud)	*
TEU2UAI4#SS	TEU2UAI#SS		THP3566
TEU2UAI411#SS	TEU2UAI#SS	VB1311R#RB (back spud)	THP3566
TEU2UAI412#SS	TEU2UAI#SS	VB0912R#RB (top spud)	THP3566

*Requires communication card (sold separately) for IoT functionality



PRODUCT SPECIFICATION

TOTO® Model No. _____ Product shall be 0.125 GPF. Product shall be an automatic infrared sensor activated, urinal flush valve. Product shall use hydropower, ECOPOWER flush valve system. Product shall have heavy-duty 14" x 12" stainless steel cover plate with satin finish and solid bronze valve body. Product shall have neutral rough-in and adjustable tail piece connection. Product shall have smart sensor with self-adjusting detection range. Product shall have manual flush override. Product shall have 6-second detection time to prevent ghost flushing. Product shall have solenoid with self-cleaning mechanism.

CODES/STANDARDS

- Meets or exceeds ASSE 1037/ASME A112.1037/CSA B125.37
- FCC compliant to Part 15
- Certifications: IAPMO(cUPC), EPA WaterSense, State of Massachusetts, and others
- Code Compliance: UPC, IPC, NSPC, NPC Canada, and others
- Complies with CA Title 20 regulations and CalGreen when used with a 0.125 GPF wall mount urinal
- ADA compliant
- Complies with CA Prop 65 warning requirements



TEU2UAI Series

ECOPOWER® Ultra High-Efficiency Urinal Flush Valve, 0.125 GPF

SPECIFICATIONS

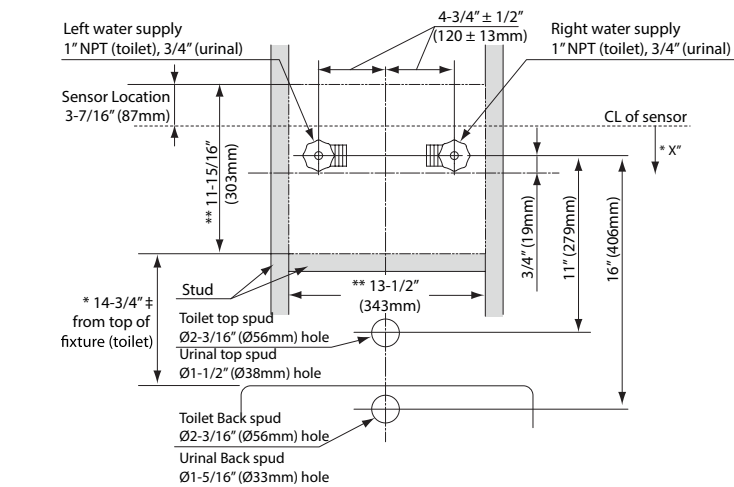
Material	Bronze casting
Power Supply	ECOPOWER
IoT Capacity	IoT-Enabled
Sensor Detection Time	Factory setting at six (6) seconds minimum
Sensor Detection Range	Self-adjusting to environment
Discharge Quantity	Preset to 0.125 GPF / 0.47 LPF
Operating Temperature	32-104°F (0-40°C)
Water Source	Tap water (Municipal Supply Only)
Water Supply Pressure	Min: 15 psi (flowing) Max: 125 psi (static)
Water Supply Connection	3/4" NPT
Warranty	Three year limited

*Water pressures over 80 psi are not recommended for most plumbing fixtures. Check your local plumbing code for details.

INSTALLATION NOTES

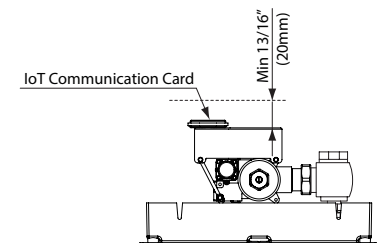
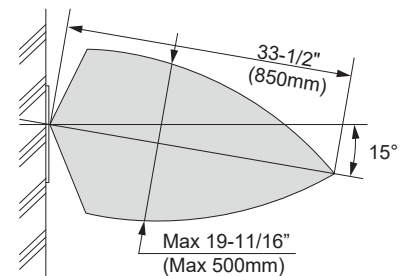
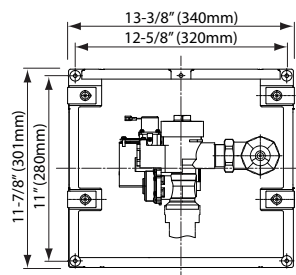
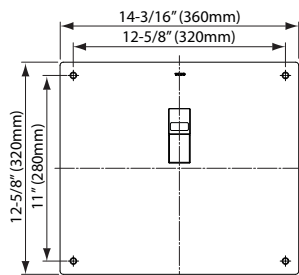
- For commercial applications only.
- Warning: Failure to properly adjust angle stop to the appropriate level can potentially cause property damage.
- For detailed installation instructions, please refer to the installation manual.
- Max flow rate to be used with TEU2UAI_____ : 0.125 GPF
- Confirm with local codes and standards for floor drain requirement. Adjust control stop for proper flow rate to the fixture.
- The flush valve must remain accessible for maintenance and service purposes. An access panel at least 12" x 12" or a walk-in chase is required.
- Do not position ADA grab bars in front of the sensor.
- The flush valve requires a minimum of 7" (178mm) depth in the wall.
- For IoT installation, provide at least 13/16" (20mm) clearance between the face of the controller cover and any surrounding structure. Please refer to the diagram below.

DIMENSIONS



* X", ± = At least 5" clearance from sensor to tip of toilet seat up position or to top of grab bar is required to avoid false detection.

** Opening in wall



TOTO®

These dimensions and specifications are subject to change without notice