



PAIR OF FLOOR SUPPLY UNIONS FOR EXPOSED TUB FILLERS

ROHL Perrin & Rowe® Bath

U.6388

FEATURES

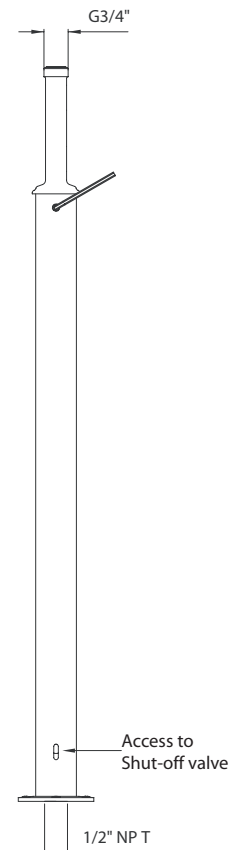
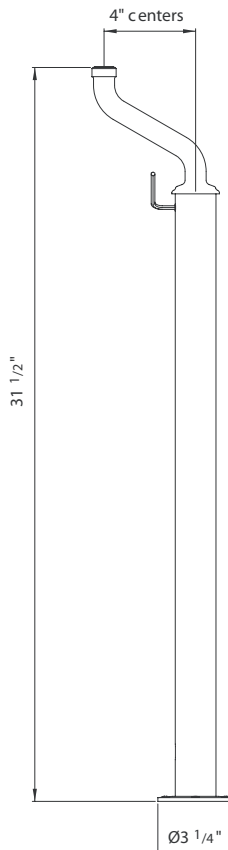
- 1/2" female NPT connection
- Integrated shut-off valve
- Separate rough and trim
- U.6399 3" extension unions available to lift height of filler valve

COLORS/FINISHES

- Polished Chrome
- Polished Nickel
- Satin Nickel
- Inca Brass
- English Bronze

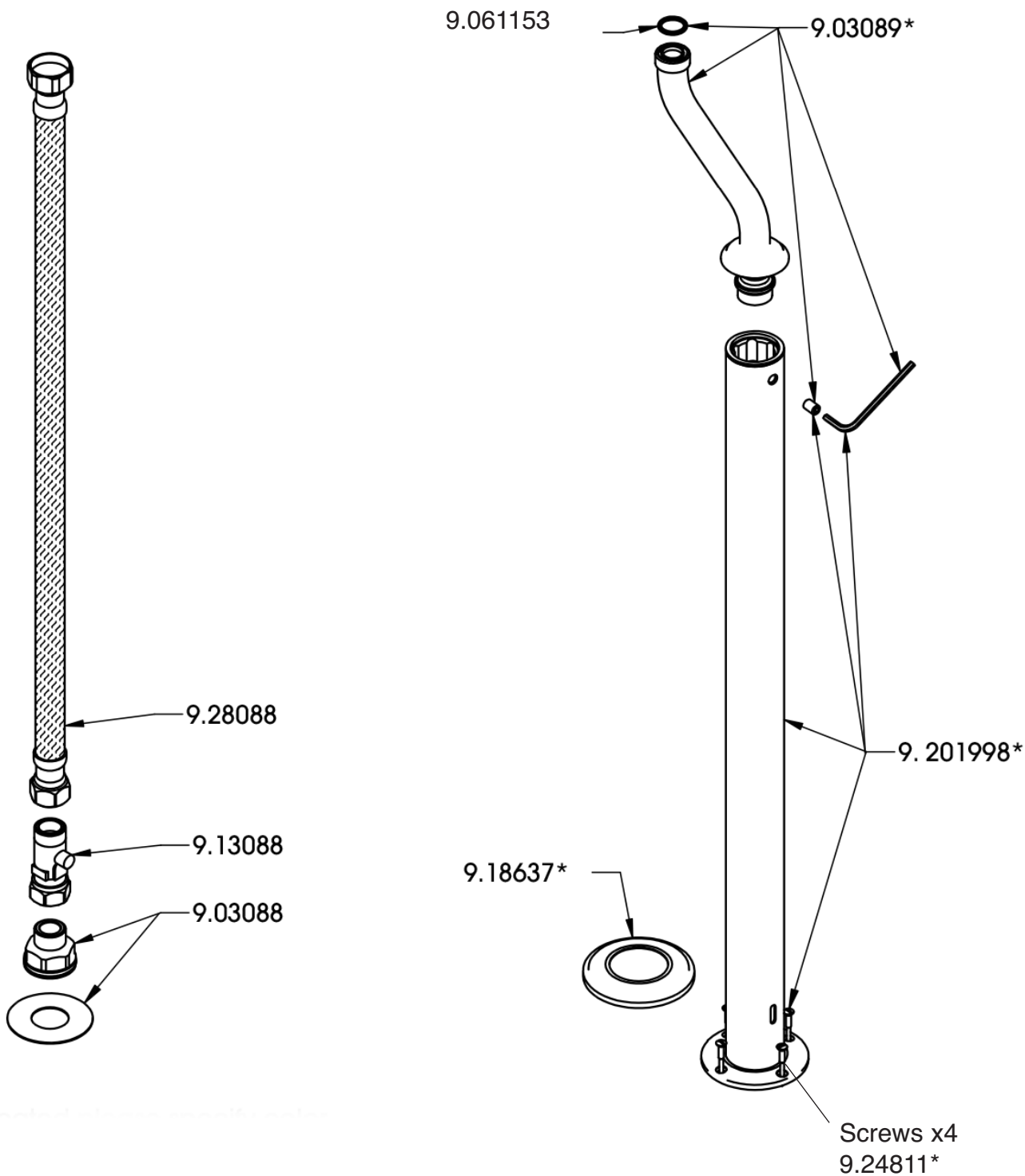
WARRANTY

- Limited Lifetime



Consult your local ROHL showroom for additional information and specifications. For complete warranty details and a list of showrooms, go to www.rohlhome.com.

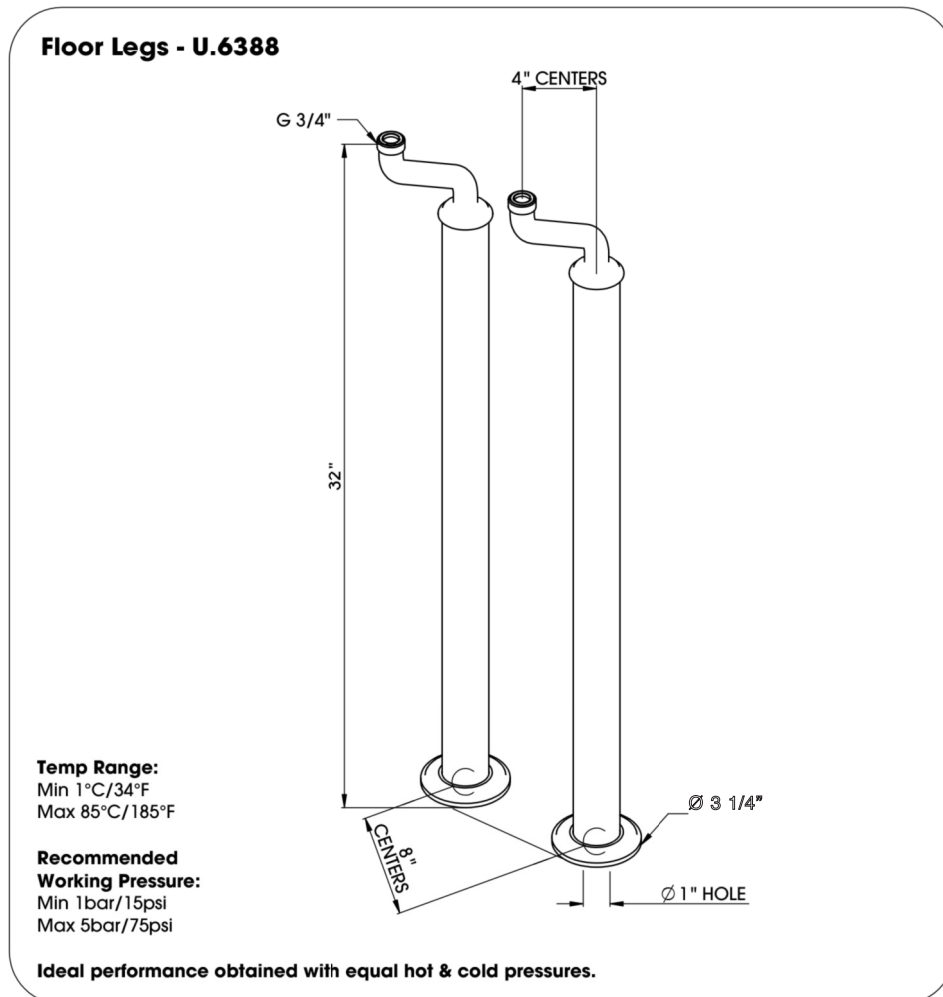
U.6388 Spare Parts



U.6388 Installation Guide Page 1



Floor Legs For Tub/Shower Mixer



U.6388 Installation Guide Page 2

The Bathroom Collection Installation & User Guide

Congratulations on the purchase of your Perrin & Rowe Product. Correctly installed and with sensible care, this product will give you many years of trouble free service.

IMPORTANT INFORMATION

Before you proceed... We recommend you engage the services of a registered plumber to install this product.

For ease of possible future servicing, we also recommend the fitting of conveniently placed isolating valves.

In addition to the guide below it is essential that the written information overleaf is carefully read and understood.

Preparation Check Box for Installer

- Flush the plumbing system before installing the Bathroom product. The hot supply should be on the left when viewed from the front of the fitting. Ensure the mounting surface is level.

1

Fit a 3/4" plug to leak test the installations

Undo nut on bottom of stop valve and remove NPT connector.

Fit NPT connector onto 1/2" NPT male stub protruding from mounting surface approximately 1/2" (13mm) through 1" (25mm) maximum diameter hole. Ensure that Rough Washer is flush with mounting surface when fully tightened. (Ideally set at 8" centers - 200mm).

Install stop valve onto NPT connector with slotted screw facing the rear of the installation, fully tighten bottom nut. Check that slotted screw has remained in position.

The rough line should be tested by using the in-line isolating valve.

It is recommended to fit a 3/4" plug to leak test the Supply Flex and joint.

ENSURE ALL CONNECTIONS ARE SECURE AND LEAK FREE BEFORE TRIM IS INSTALLED.

Ensure Rough Washer is installed over supply thread, but under NPT connector.

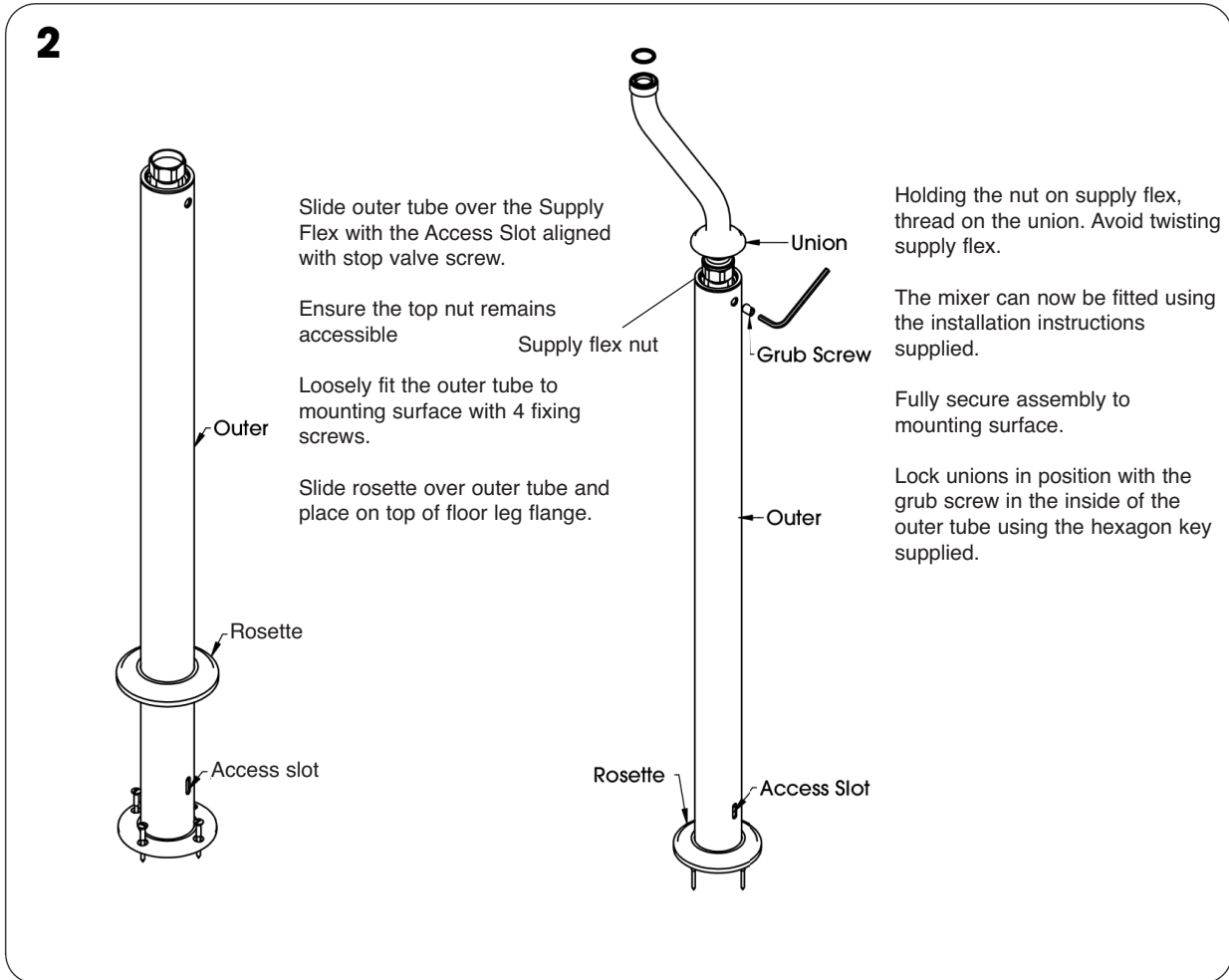
Floor hole size max diameter 1", the rough line must be fully supported

IMPORTANT: If the supply line in the floor is not reinforced to prevent movement down, there is a possibility of leaks.

Labels: Supply Flex, Stop Valve, NPT Connector, Rough Washer, Water In., 1/2" connection, Ø 1" MAX

Consult your local ROHL showroom for additional information and specifications. For complete warranty details and a list of showrooms, go to www.rohlhome.com.

U.6388 Installation Guide Page 3



BEFORE USE

- Carefully check the installation for leaks, internal leaks will be noticeable through the Access Slot.
- If further building work is to be carried out in the vicinity, cover the tap to avoid damaging the finish.
- Please ensure that the installation complies with local plumbing codes.

CARE & MAINTENANCE

Wipe down after use to avoid water spotting and mineral build up.

Occasional cleaning with warm soapy water, followed by a polish with a soft cloth is all that is required to keep the plated finish in good condition.

Do not use proprietary abrasive liquids, powders, or pads to clean the shower. Do not use any products with ammonia bleach or limescale remover. You will damage the plated finish and void your guarantee.