

ECOPOWER® High-Efficiency Toilet Flush Valve, 1.28 GPF

FEATURES

- 1.28 GPF
- Self-powered hydroelectric flush valve system
- No minimum daily usage requirement
- Durable chrome plated body with tamperproof screws and solid bronze valve body
- Self-cleaning piston valve with 360° filter screen
- Neutral rough-in and adjustable tail piece connection
- True mechanical flush override
- Smart sensor with self-adjusting detection range
- 6 second detection time to prevent ghost flushing
- For toilet with 1-1/2" top spud inlet using 24-1/2" vacuum breaker tube
- Exposed flush valve with 1" angle stop and 1-1/2" vacuum breaker set
- Contributes to LEED® aggregate water consumption reduction
- Protects trap seal with a maintenance flush if not used in a 24 hr period
- IoT-enabled options available to remotely monitor usage rates, water consumption, fixture performance and streamline operations in real time with instant alerts

OPTIONAL ACCESSORIES

- **Z-4000-J**
Adapter for ground joint angle stops

COLORS/FINISHES

- #CP Polished Chrome

MODELS

Kit Options	Component Breakdown			
	Flush Valve	Vacuum Breaker Set	Vacuum Breaker Tube	IoT Card
TET6LBi32#CP	TET6LBi#CP	VBXX32#CP	THP3291B#CP	*
TET6LBi4#CP	TET6LBi#CP			THP3566
TET6LBi432#CP	TET6LBi#CP	VBXX32#CP	THP3291B#CP	THP3566

*Requires communication card (sold separately) for IoT functionality



PRODUCT SPECIFICATION

TOTO® Model No. _____ Product shall be 1.28 GPF. Product shall be an automatic infrared sensor-activated, toilet flush valve designed to pair with 24-1/2" vacuum breakers. Product shall use hydropower, ECOPOWER flush valve system. Product shall have durable chrome plated body with tamper-proof screws and solid bronze valve body. Product shall have smart sensor with self-adjusting detection range. Product shall have neutral rough-in and adjustable tail piece connection. Product shall have true mechanical flush override. Product shall have 6 second detection time to prevent ghost flushing. Product shall have piston with debris screen and solenoid with self-cleaning mechanism.

CODES/STANDARDS

- Meets or exceeds ASSE 1037/ASME A112.1037/CSA B125.37
- FCC compliant to Part 15
- Certifications: IAPMO(cUPC), EPA WaterSense, State of Massachusetts, and others
- Code Compliance: UPC, IPC, NSPC, NPC Canada, and others
- ADA compliant
- Complies with CA Prop 65 warning requirements
- Complies with CA Title 20 regulations and CalGreen when paired with a water closet which has an equivalent water consumption.



TET6LBi Series

ECOPOWER® High-Efficiency Toilet Flush Valve, 1.28 GPF

SPECIFICATIONS

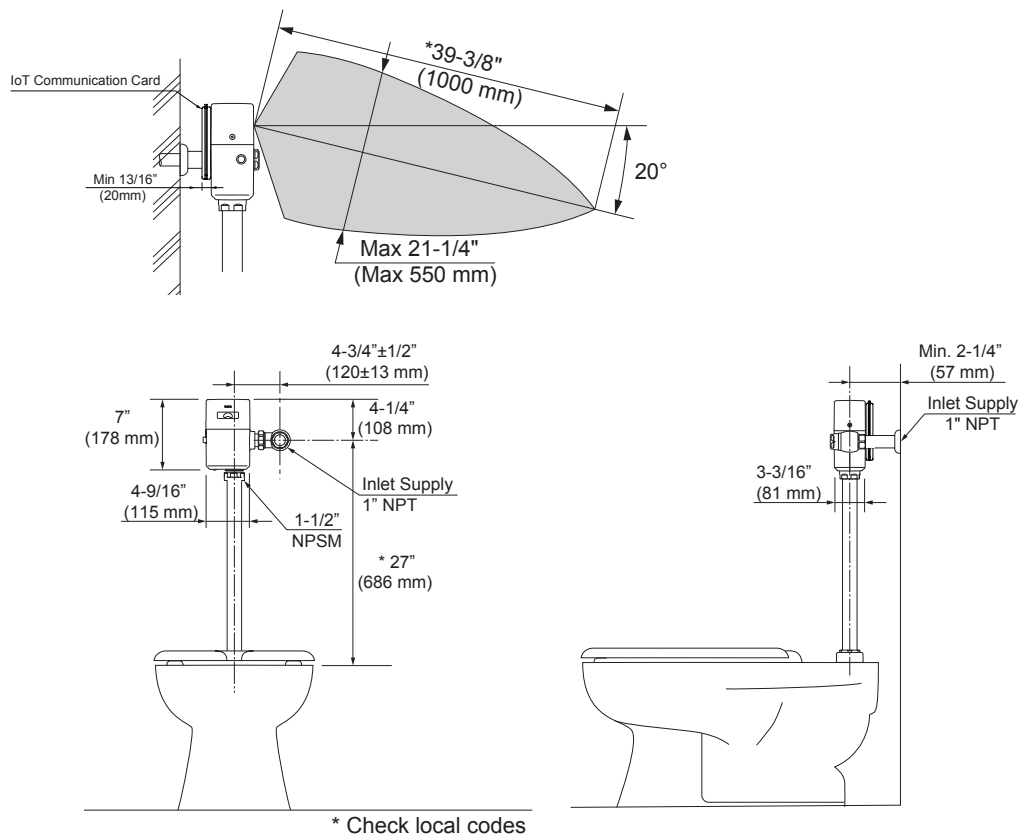
Material	Bronze casting
Power Supply	ECOPOWER
IoT Capacity	IoT-Enabled
Sensor Detection Time	Factory setting at six (6) seconds minimum
Sensor Detection Range	Self-adjusting to environment
Discharge Quantity	Preset to 1.28 GPF / 4.8 LPF
Operating Temperature	32-104°F (0-40°C)
Water Source	Tap water (Municipal Supply Only)
Water Supply Pressure	Min: 25 psi (flowing) Max: 125 psi (static)
Water Supply Connection	1" NPT
Warranty	Three year limited

*Water pressures over 80 psi are not recommended for most plumbing fixtures. Check your local plumbing code for details.

INSTALLATION NOTES

- For commercial applications only.
- Warning: Failure to properly adjust angle stop to the appropriate level can potentially cause property damage.
- For detailed installation instructions, please refer to the installation manual.
- Max flow rate to be used with TET6LBi: 1.28 GPF
- Confirm with local codes and standards for floor drain requirement. Adjust control stop for proper flow rate to the fixture.
- For IoT installation, provide at least 13/16" (20mm) clearance between the back of the flush valve and the wall. Please refer to the diagram below.

DIMENSIONS



TOTO®

These dimensions and specifications are subject to change without notice