

ECOPOWER® Urinal Flush Valve, 1.0 GPF

FEATURES

- 1.0 GPF
- Self-powered hydroelectric flush valve system
- No minimum daily usage requirement
- Durable chrome plated body with tamper-proof screws and solid bronze valve body
- Self-cleaning piston valve with 360° filter screen
- Neutral rough-in and adjustable tail piece connection
- True mechanical flush override
- Smart sensor with self-adjusting detection range and fuzzy logic control to reduce water usage
- 6-second detection time to prevent ghost flushing
- Protects trap seal with a maintenance flush if not used in a 24 hr period
- IoT-enabled options available to remotely monitor usage rates, water consumption, fixture performance and streamline operations in real time with instant alerts

OPTIONAL ACCESSORIES

- **Z-4000-J**
Adapter for ground joint angle stops

COLORS/FINISHES

- #CP Polished Chrome

MODELS

Kit Options	Component Breakdown		
	Flush Valve	Vacuum Breaker Set	IoT Card
TEU1GAi12#CP	TEU1GAi#CP	VB0912R#CP	*
TEU1GAi4#CP	TEU1GAi#CP		THP3566
TEU1GAi412#CP	TEU1GAi#CP	VB0912R#CP	THP3566

*Requires communication card (sold separately) for IoT functionality



PRODUCT SPECIFICATION

TOTO® Model No. _____ Product shall be 1.0 GPF. Product shall be an automatic infrared sensor activated, urinal flush valve. Product shall use hydropower, ECOPOWER flush valve system. Product shall have durable chrome plated body with tamper-proof screws and solid bronze valve body. Product shall have neutral rough-in and adjustable tail piece connection. Product shall have smart sensor with self-adjusting detection range. Product shall have true mechanical flush override. Product shall have 6-second detection time to prevent ghost flushing. Product shall have solenoid with self-cleaning mechanism.

CODES/STANDARDS

- Meets or exceeds ASSE 1037/ASME A112.1037/CSA B125.37
- FCC compliant to Part 15
- Certifications: IAPMO(cUPC), State of Massachusetts, and others
- Code Compliance: UPC, IPC, NSPC, NPC Canada, and others
- ADA compliant
- Complies with CA Prop 65 warning requirements



TEU1GAi Series

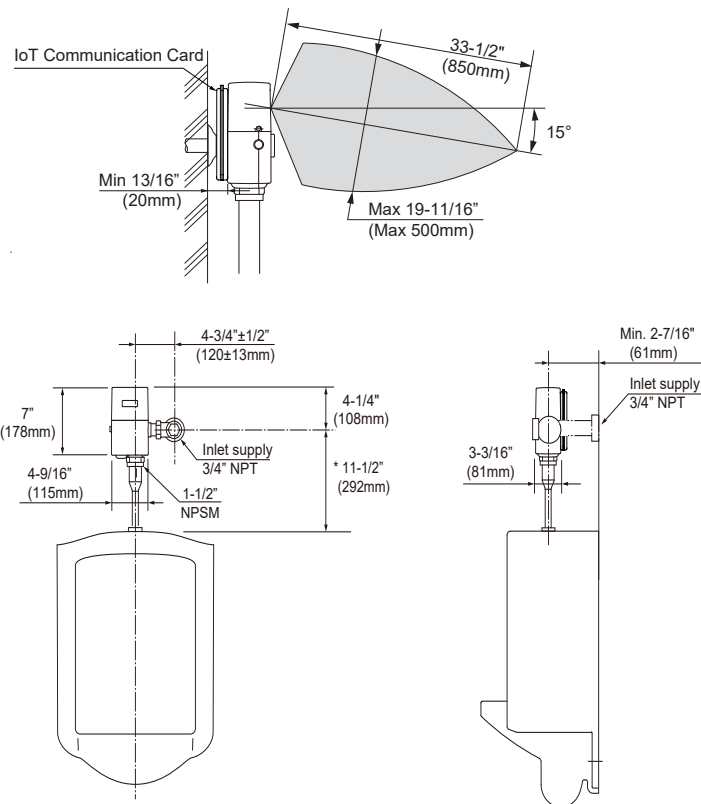
ECOPOWER® Urinal Flush Valve, 1.0 GPF

SPECIFICATIONS

Material	Bronze casting
Power Supply	ECOPOWER
IoT Capacity	IoT-Enabled
Sensor Detection Time	Factory setting at six (6) seconds minimum
Sensor Detection Range	Self-adjusting to environment
Discharge Quantity	Preset to 1.0 GPF / 3.8 LPF
Operating Temperature	32-104°F (0-40°C)
Water Source	Tap water (Municipal Supply Only)
Water Supply Pressure	Min: 15 psi (flowing) Max: 125 psi (static)
Water Supply Connection	3/4" NPT
Warranty	Three year limited

*Water pressures over 80 psi are not recommended for most plumbing fixtures. Check your local plumbing code for details.

DIMENSIONS



INSTALLATION NOTES

RECLAIMED WATER QUALITY PARAMETERS	
Chloride Ion Concentration	< 600mg/L
pH	5.8~8.6
Free Carbonate	< 50mg/L
Langelier's Index	> -3.00
Nitrate Ion Concentration	< 60mg/L
Conductivity	< 250mS/m
Sulfate Ion Concentration	< 100mg/L
Residual Chloride Concentration	< 2mg/L
Hydrogen Sulfide Gas	None Existence
Suspended Solids	< 5mg/L

- For commercial applications only.
- Warning: Failure to properly adjust angle stop to the appropriate level can potentially cause property damage.
- For detailed installation instructions, please refer to the installation manual.
- Max flow rate to be used with TEU1GAi _____: 1.0 GPF
- Confirm with local codes and standards for floor drain requirement. Adjust control stop for proper flow rate to the fixture.
- For IoT installation, provide at least $13/16"$ (20mm) clearance between the back of the flush valve and the wall. Please refer to the diagram below.

TOTO®

These dimensions and specifications are subject to change without notice