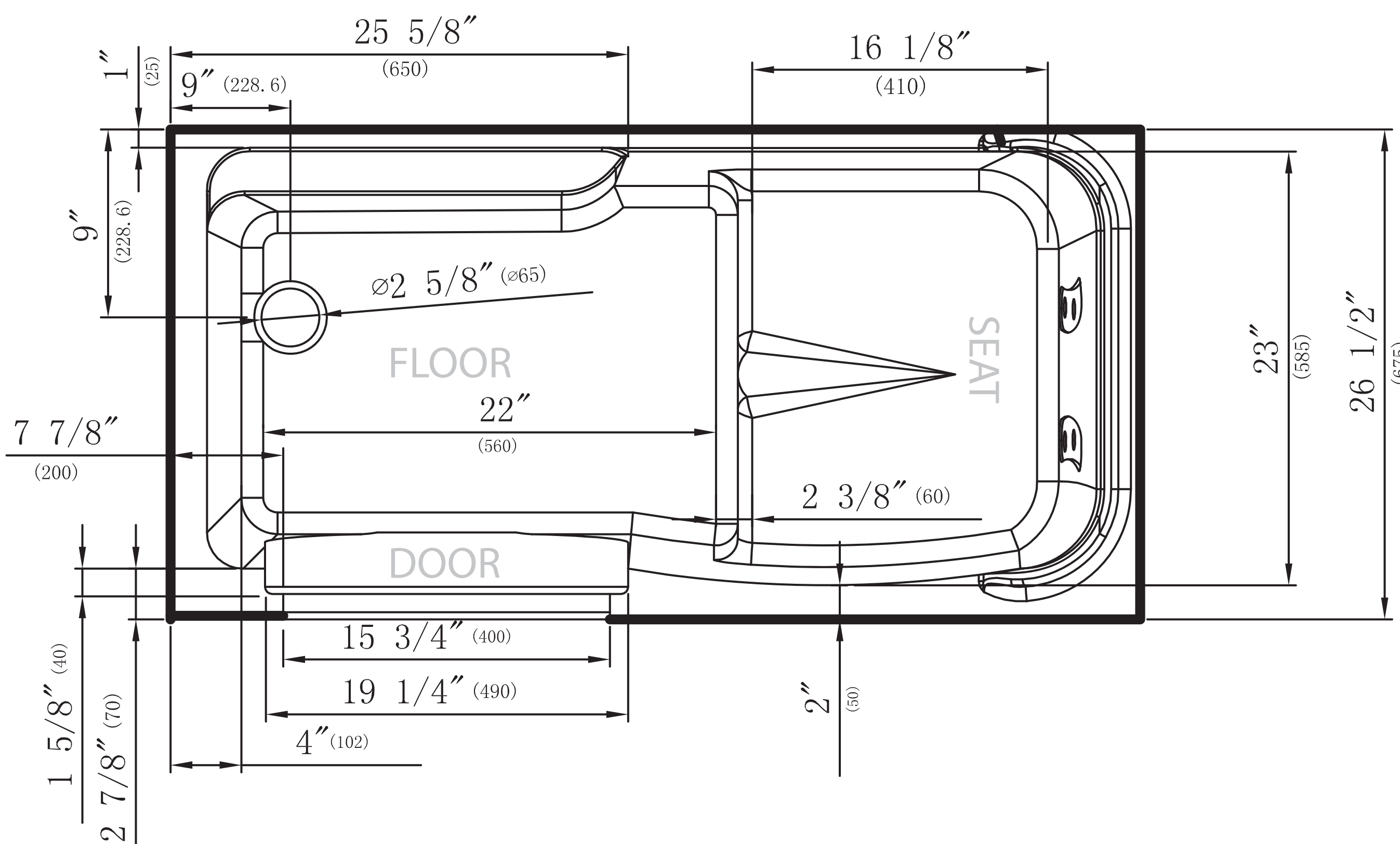
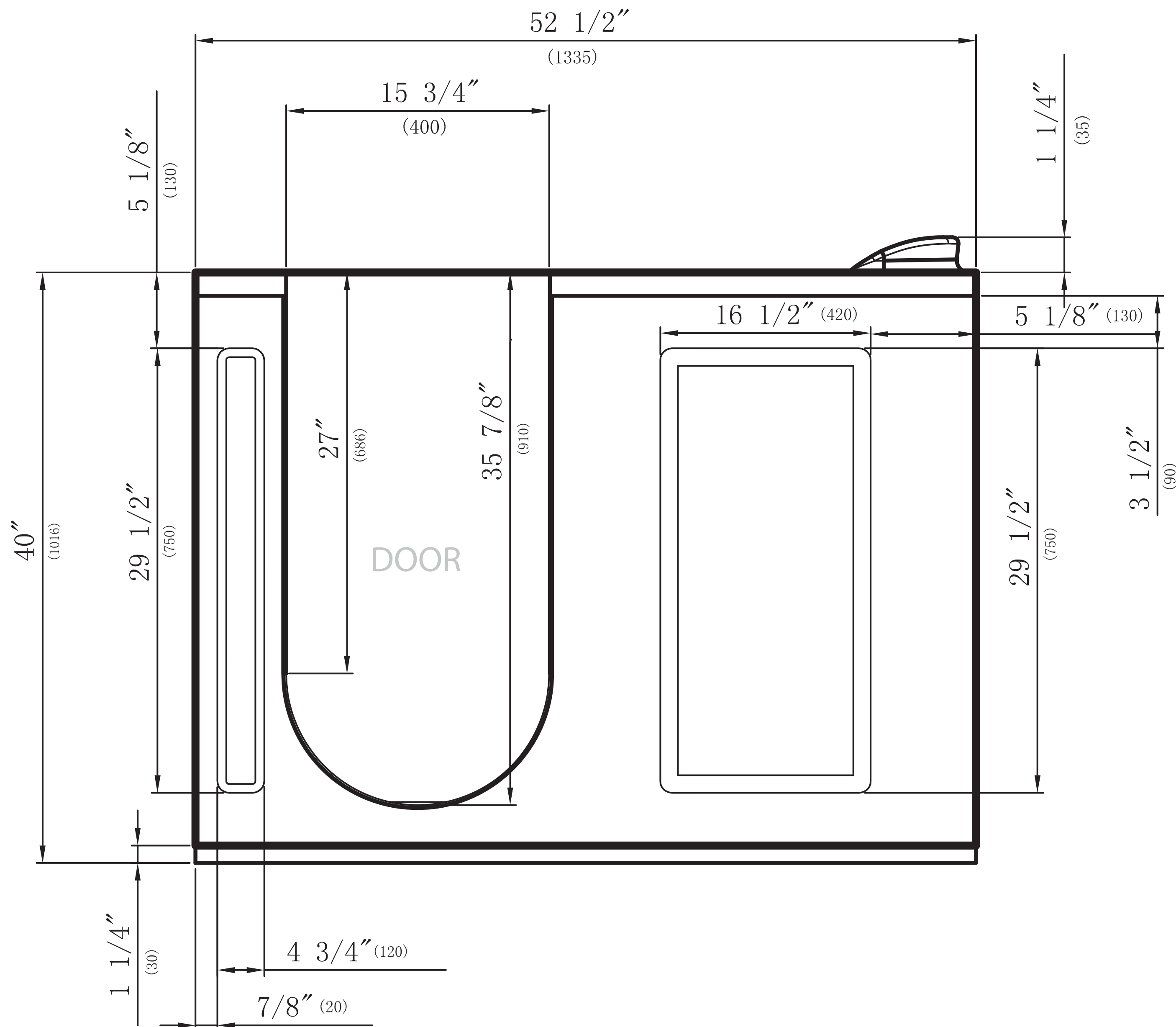


MediSpa™

WALK-IN TUBS



FULLY LOADED

MS2753WILWD
SUR2753FLWD

| | |
|-----------------------|--------------------------------|
| SIZE: | 52.5" L x 26.5" W x 40" H |
| EXTENSION KIT: | INCLUDED FOR 60" INSTALLATIONS |
| SOAK DEPTH: | 33" |
| WEIGHT: | 276lbs |
| CAPACITY: | 93gals |
| VOLTAGE: | 110v |
| MATERIAL: | ACRYLIC |
| DRAIN SIDE: | LEFT DRAIN |

WHIRLPOOL MASSAGE SYSTEM

20 air massage jets (1HP blower)
12 hydro powered water jets (1HP pump)

INTEGRADED CASCADING FILLER & SHOWER HEAD

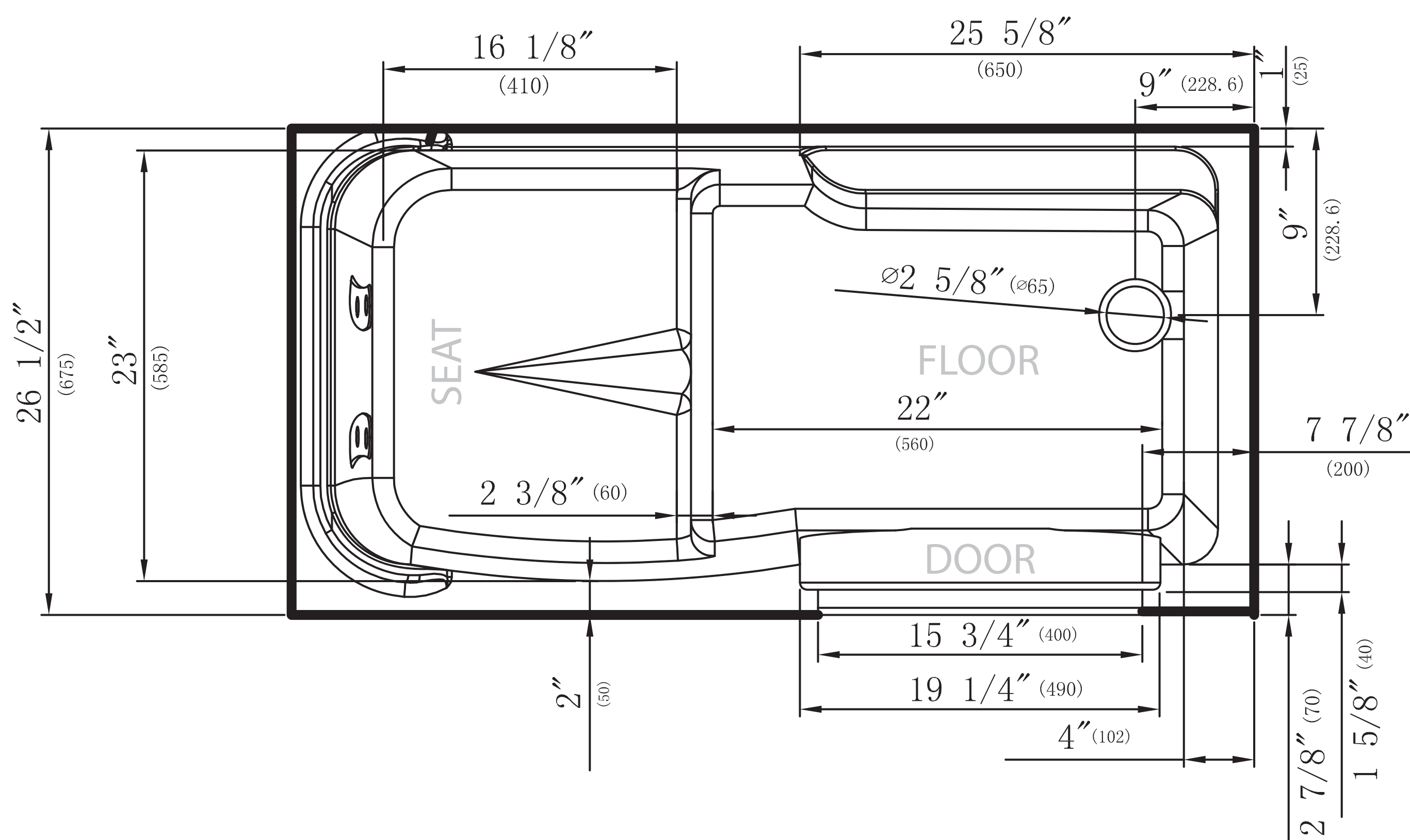
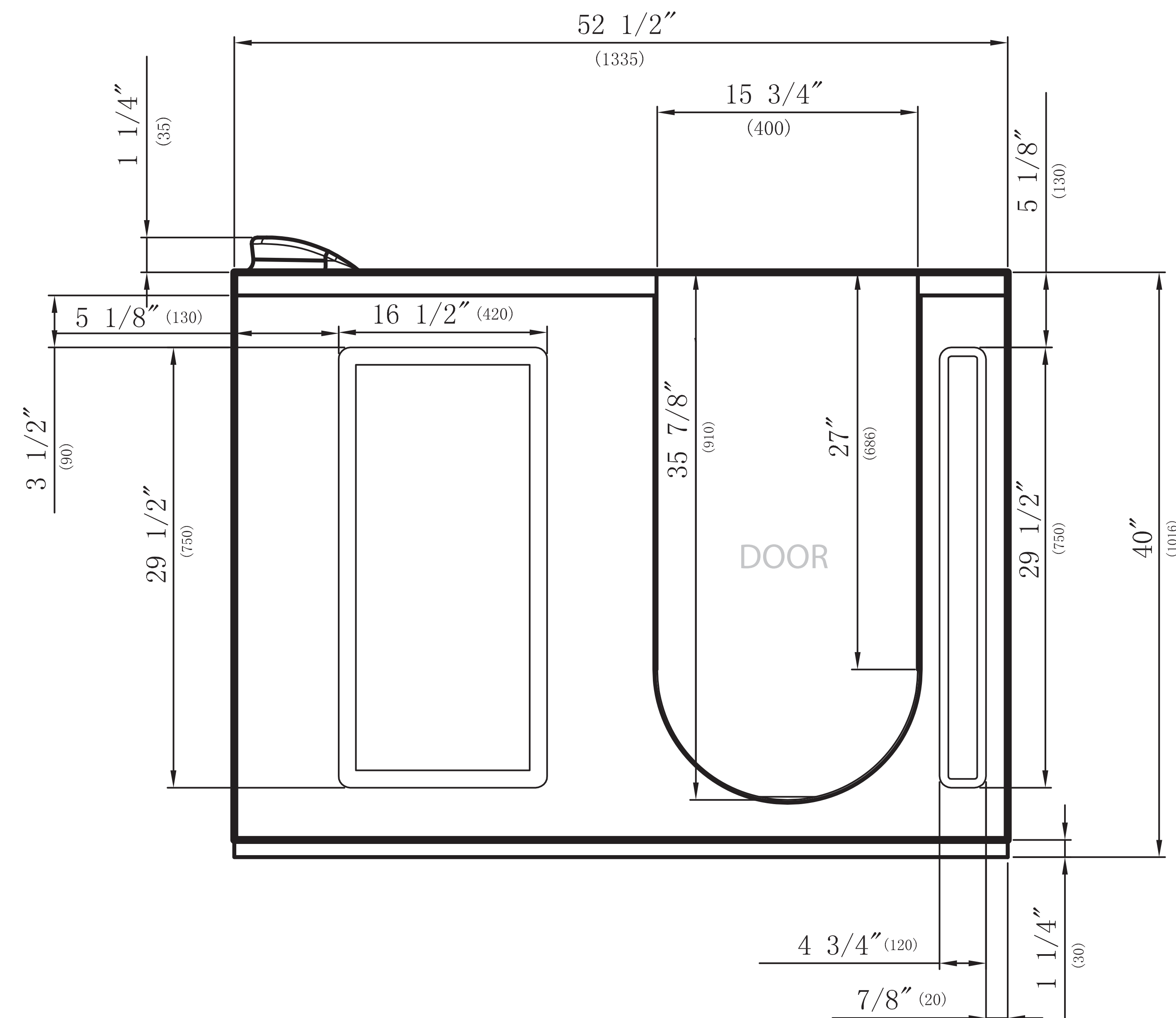
Fast filling cascading waterfall bathtub filler
3 spray setting pull out shower head with 60" extendable reach
Integrated thermostatic mixing valve with 104° safety lock

SOFT TOUCH DIGITAL CONTROL CONSOLE

Centralized control of all major bathtub features including:
Chroma powered colored bath lights
Inline maintenance heater (slows down the cooling of water)
Whirlpool air and hydro jet functions

ADA READY FEATURES

3 built-in grab bars
Slip resistant floor texture
17.75" high seating with 23" x 12.5" sitting area
Easy to use remote operated drain
Wide opening inward swinging door
4.25" low entry threshold



FULLY LOADED

MS2753WIRWD
SUR2753FRWD

| | |
|-----------------------|--------------------------------|
| SIZE: | 52.5" L x 26.5" W x 40" H |
| EXTENSION KIT: | INCLUDED FOR 60" INSTALLATIONS |
| SOAK DEPTH: | 33" |
| WEIGHT: | 276lbs |
| CAPACITY: | 93gals |
| VOLTAGE: | 110v |
| MATERIAL: | ACRYLIC |
| DRAIN SIDE: | RIGHT DRAIN |

WHIRLPOOL MASSAGE SYSTEM

- 20 air massage jets (1HP blower)
- 12 hydro powered water jets (1HP pump)

INTEGRADED CASCADING FILLER & SHOWER HEAD

- Fast filling cascading waterfall bathtub filler
- 3 spray setting pull out shower head with 60" extendable reach
- Integrated thermostatic mixing valve with 104° safety lock

SOFT TOUCH DIGITAL CONTROL CONSOLE

- Centralized control of all major bathtub features including:
- Chroma powered colored bath lights
- Inline maintenance heater (slows down the cooling of water)
- Whirlpool air and hydro jet functions

ADA READY FEATURES

- 3 built-in grab bars
- Slip resistant floor texture
- 17.75" high seating with 23" x 12.5" sitting area
- Easy to use remote operated drain
- Wide opening inward swinging door
- 4.25" low entry threshold