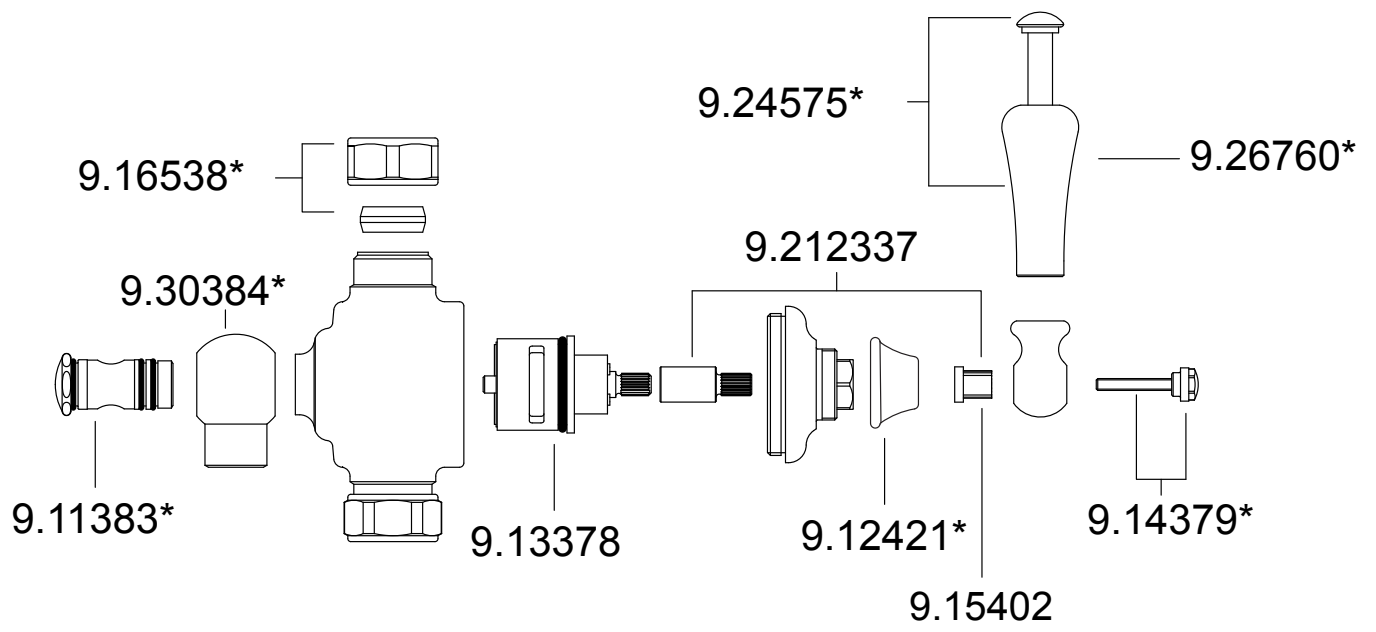
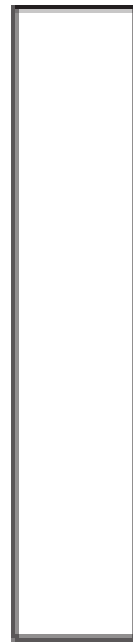
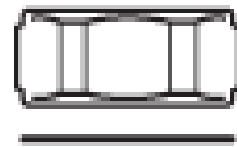
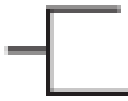


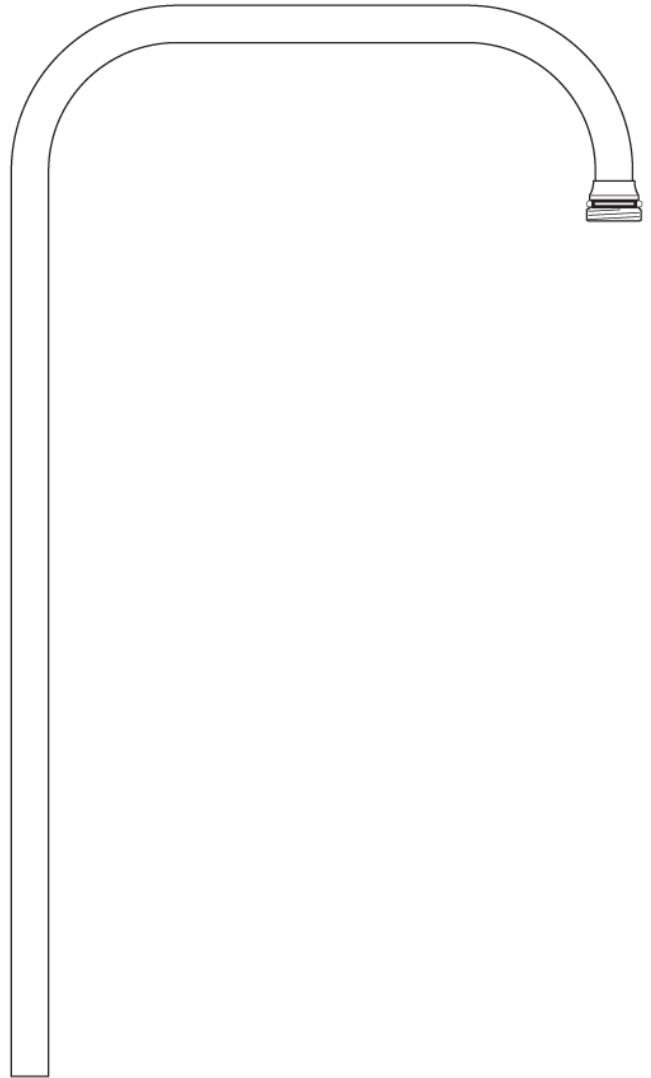
* Where indicated please specify color



9.16538*



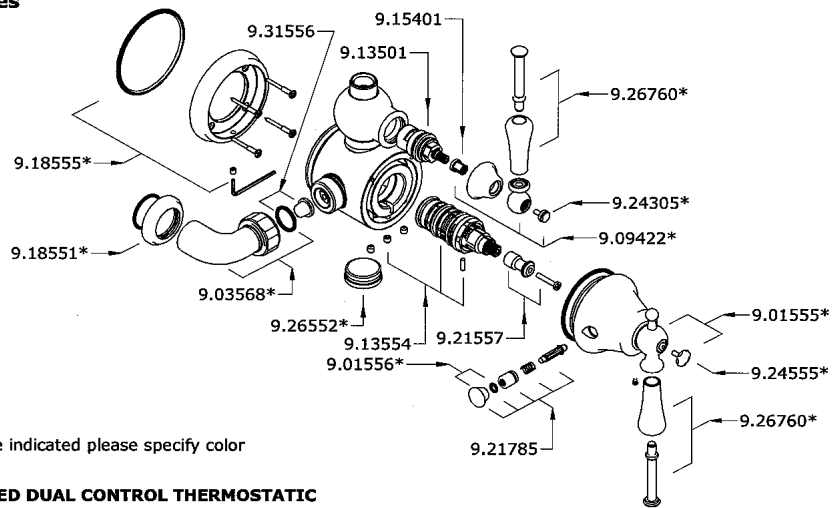
9.21612*



9.16538*



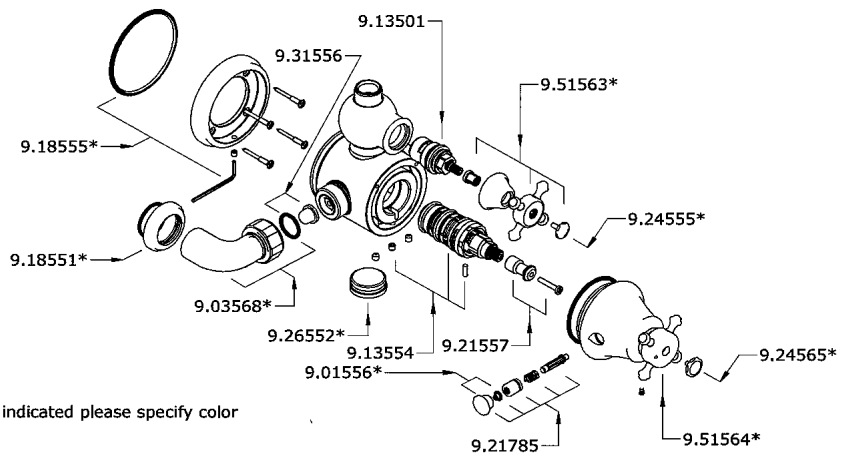
Spares



* Where indicated please specify color

**EXPOSED DUAL CONTROL THERMOSTATIC
SHOWER MIXER - U.5751L**

Spares



* Where indicated please specify color

**EXPOSED DUAL CONTROL THERMOSTATIC
SHOWER MIXER - U.5752X**