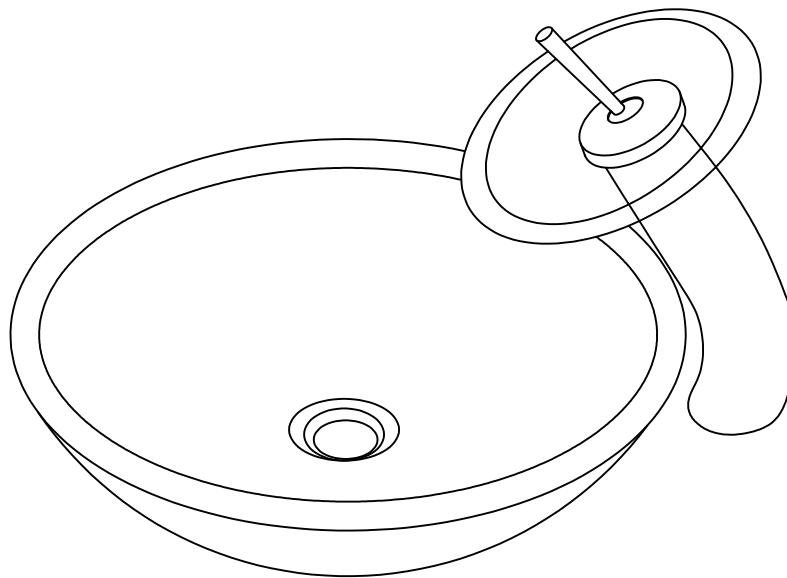


ANZZI®

ITEM: VESSEL SINK

ANZZI VESSEL SINK  
INSTALL & OPERATION MANUAL  
V1.0



**DON'T WAIT!  
REGISTER NOW!**

Register your product within 90 days to ensure your product is recognized as an official purchase and is eligible for warranty coverage.

Mail in the completed registry card (Pg. 2) or register online at [www.swcorp.com/register](http://www.swcorp.com/register).



# PRODUCT REGISTRATION\*

IMPORTANT: YOUR WARRANTY WILL NOT BE RECOGNIZED UNLESS THIS CARD IS FULLY COMPLETED AND RETURNED OR ONLINE REGISTRATION IS COMPLETED.

To ensure that your warranty is registered and confirmed please do one of the following:

1. **Register online at [www.swcorp.com/register](http://www.swcorp.com/register).** You will be asked to fill out the same information you would in the registration card. Registering online is fast, secure and ensures we receive your information.

2. **Complete, cut-out and mail the registration card below.** By returning this registration card we confirm the date of purchase for your new product. This confirmation will allow us to process any warranty claims.

**Mail the card to: 5701 NW 35 Avenue, Miami, FL 33142**



Product Registration Card

Name ..... Address .....

City ..... State ..... Zip .....

Phone ..... Email.....

Date of Purchase.....

Installer's Name ..... Phone .....

I have read the Owner's Manual carefully and understand and agree that any installation, operation or maintenance of the product must be done strictly in accordance with instructions and guidelines contained in the owner's manual and installation guide.

Signature \_\_\_\_\_ Date \_\_\_\_\_

## VESSEL SINK

### INSTALLATION INSTRUCTIONS

Before installing, read entire Vessel Sink Installation Instructions. Observe all local building and safety codes.

We recommend consulting a professional if you are unfamiliar with this type of installation. ANZZI accepts no liability for any damages to the floor, walls, plumbing or for personal injury during installation.

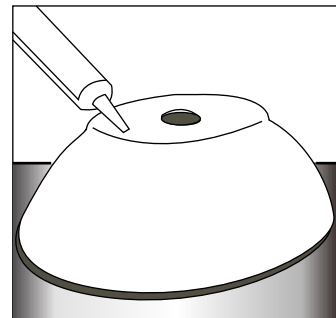
**Please inspect the unit immediately when received and report any damages right away to ANZZI's customer service center at 305-614-4070.**

### TOOLS AND MATERIALS:

Damp Cloth  
Silicone Sealant (for copper sinks, use Neutral Cure Silicone Sealant)  
Thread Sealant  
Basin Wrench

### INSTALLATION

1. Carefully place the sink upside down on the counter with a towel or other soft cloth beneath to prevent damage. Apply a continuous bead of silicone to the base of the sink where it will rest on the counter.
2. Turn the sink right-side-up and position it back over the 2" drain hole.
3. Remove any excess silicone with a damp cloth. Let the silicone dry for 24 hours. If a lavatory drain is included, move on to the **Drain Installation** section.



### DRAIN INSTALLATION

1. Disassemble the drain by removing the threaded tail piece, rubber sealing gaskets, friction washer and lock nut from the drain body.
2. Place thread sealant on the threaded section of the tail piece and reattach to the drain body. Slide the flat rubber sealing gasket up the tail piece to the top of the drain body. This gasket will create a water tight seal between the drain flange and sink.
3. Place the drain in the drain hole in the sink. On the underside of the counter, attach the tapered rubber gasket. With the flat side facing down, slide the gasket up the threaded shank until it makes contact with the bottom of the sink.
4. Slide the friction washer up to meet the rubber gasket. Thread the lock nut onto the threaded shank. Hand-tighten and make sure that the drain is properly aligned. When ready, finish tightening with a basin wrench to secure the drain.

## SINGLE-LEVER LAVATORY FAUCET

### ※ ACCESSORIES CHECKING

#### LIST OF THE STANDARD ACCESSORIES:

Please double-check the accessory list hereinafter and contact our company or our distributor for any unconformity.

Remarks:

1. Without affecting their performing, accessories may be changed without further notice.
2. Drawings for reference only. Product size & shape refer to actual faucet.

### ※ Installation Instructions

- ☆ Do not disassemble the main body, as it has been installed & commissioned correctly & precisely before leaving the factory.
- ☆ To avoid the faucet from jamming, do flush the water pipe before installation.
- ☆ After installation, make sure every joint safely sealed & no leaking.
- ☆ Using condition: Working pressure at 0.05-1.0MPa(including cold & hot water pressure) with applicable water temperature: 4°C-90°C.
- ☆ Make sure to connect the hot/cold inlet pipe correctly, if standing in front, hot water pipe connecting to the left & cold water pipe connecting to the right.

### ※ Installation Procedures

- ☆ Make sure the installation holes to be in right size.
- ☆ Install the lavatory faucet as per drawing.

Connect the main body & water supply pipe with Water Inlet Pipe.

### ※Usage:

- ☆ How to Operate the handle

- 1) Raise the handle lever up for opening water, push down to close;
- 2) Turn the Handle lever to the left to increase hot water flow for higher water temperature, and lower the water temperature by operating reversely.

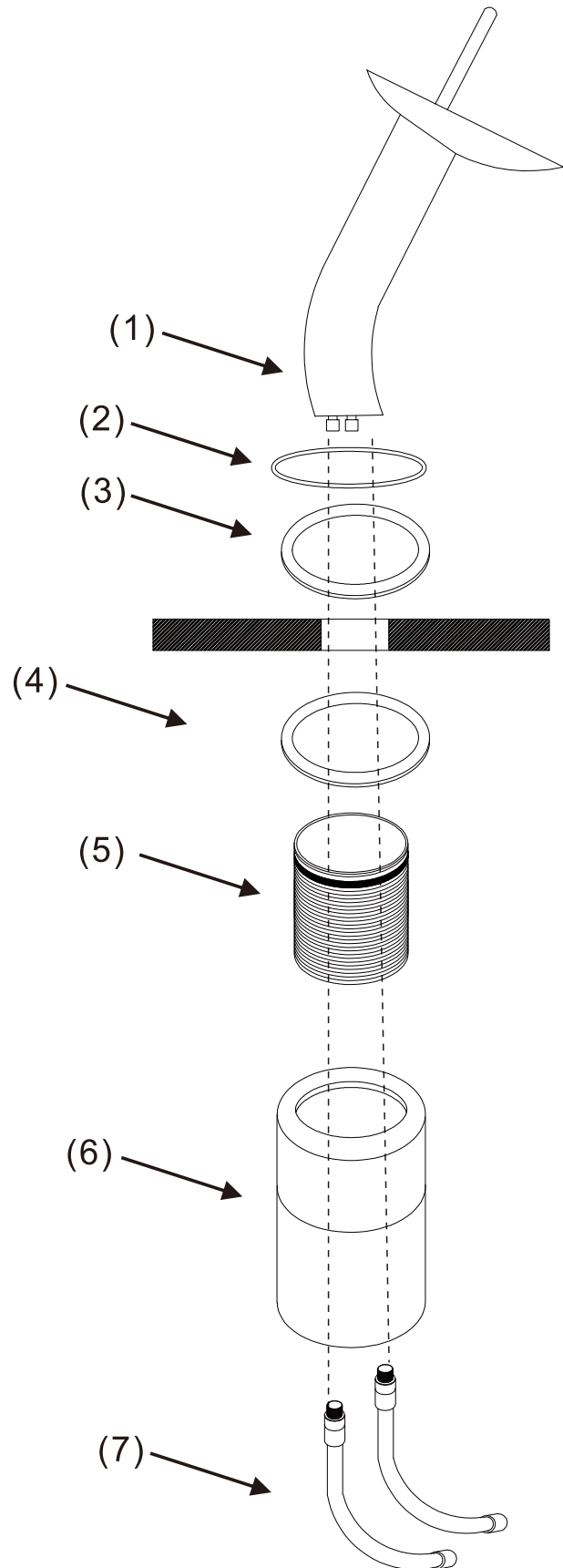
### ※ Cleaning & Maintenance

- ☆ To keep the product clean & shining, follow the steps as below;
  1. Flush with clean water & dry with soft cloth only;
  2. If any dirt, clean with soft liquid or transparent glass detergent.
  3. Do not use any scrubbing detergent, polisher, sand-cloth, paper tissue or scraper.
  4. Do not use acid detergent, indissolvable grain-like detergent or soap.
  5. Circumrotate the aerator off and clean it when necessary.



### Accessory List

- (1). Faucet Body
- (2). Rubber O-ring
- (3). Rubber Gasket
- (4). Metal Washer
- (5). Metal Shank
- (6). Plastic Lock Nut
- (7). Hot & Cold Waterlines



## Install Glass Disc



① Prior to Installation: three parts ready



② Remove metal cover from faucet body



③ Remove metal ring from faucet body



④ Disassembled



⑤ Install glass disc on the faucet body(long part forward)



⑥ Secure the glass disc using metal ring (make sure there is a rubber ring at the bottom)



⑦ Hand-tighten the metal cover

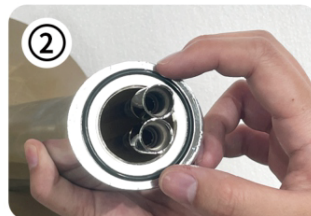


⑧ Installation complete

## Install Waterfall faucet



① Prepare parts



② Put rubber O-ring (2) on the bottom of faucet body(1)



③ Attach plastic lock nut(6), metal washer(4) and metal shank(5) to the hot & cold waterlines(7)



④ Put rubber gasket (3) on the hole of countertop



⑤ Hand tighten hot & cold waterlines(7) to faucet body(1)



⑥ Tighten metal shank(5) into faucet body(1) and Insert faucet body(1) into the hole on the countertop



⑦ Tighten metal washer (4) and plastic lock nut(6) until snug.



⑧ Complete

**Thank you for choosing ANZZI® and enjoy your lovely new bath sink. We want to hear about your experience with us! Please visit [www.ANZZI.com](http://www.ANZZI.com) and leave us a review. It will only take 5 minutes and we'd love to hear from you.**