

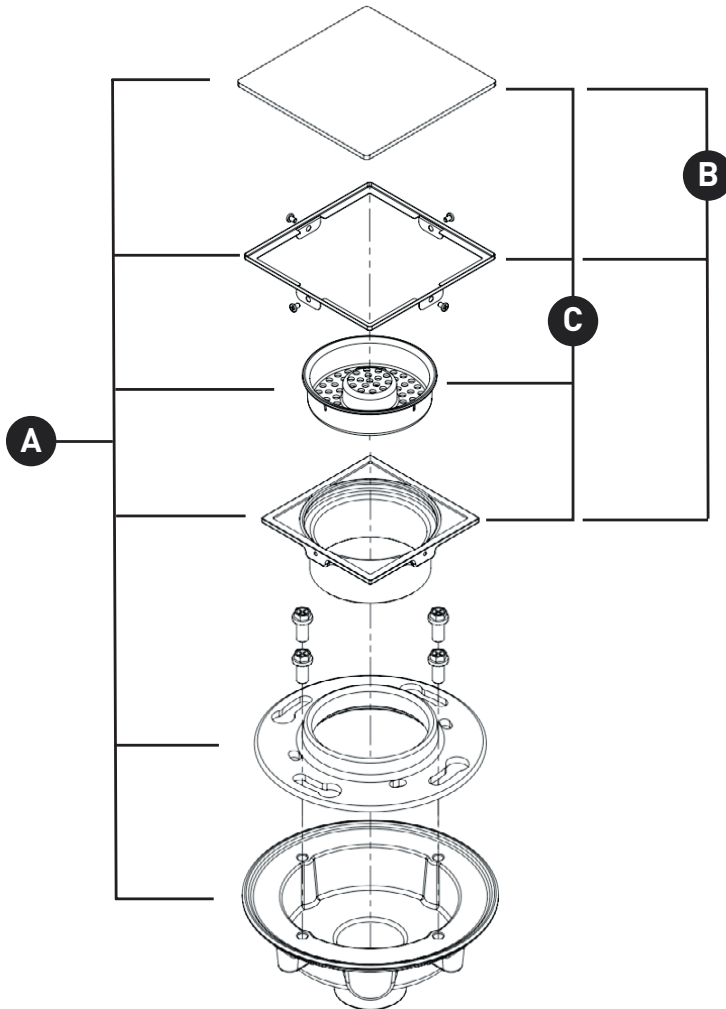
ORDER BY PART NUMBER

## ILLUSTRATED PARTS

### SDPVC2/3

Cast Iron 2" No Hub Drain Body Kit

ID	Kit Number	Finish
A	SDABS2/3	N/A
	SDPVC2/3	N/A
B	DT122ABS2	N/A
C	DT123ABS3	N/A



For warranty or additional information, contact:

U.S.A.  
[houseofrohl.com/support](http://houseofrohl.com/support)  
 1-800-777-9762

QUEBEC / MARITIMES / WESTERN CANADA  
 QUÉBEC / MARITIMES / OUEST CANADIEN  
 QUEBEC / MARITIMOS / CANADA OCCIDENTAL  
[houseofrohl.ca/support](http://houseofrohl.ca/support)  
 1-866-473-8442

ONTARIO  
[houseofrohl.ca/support](http://houseofrohl.ca/support)  
 1-800-287-5354

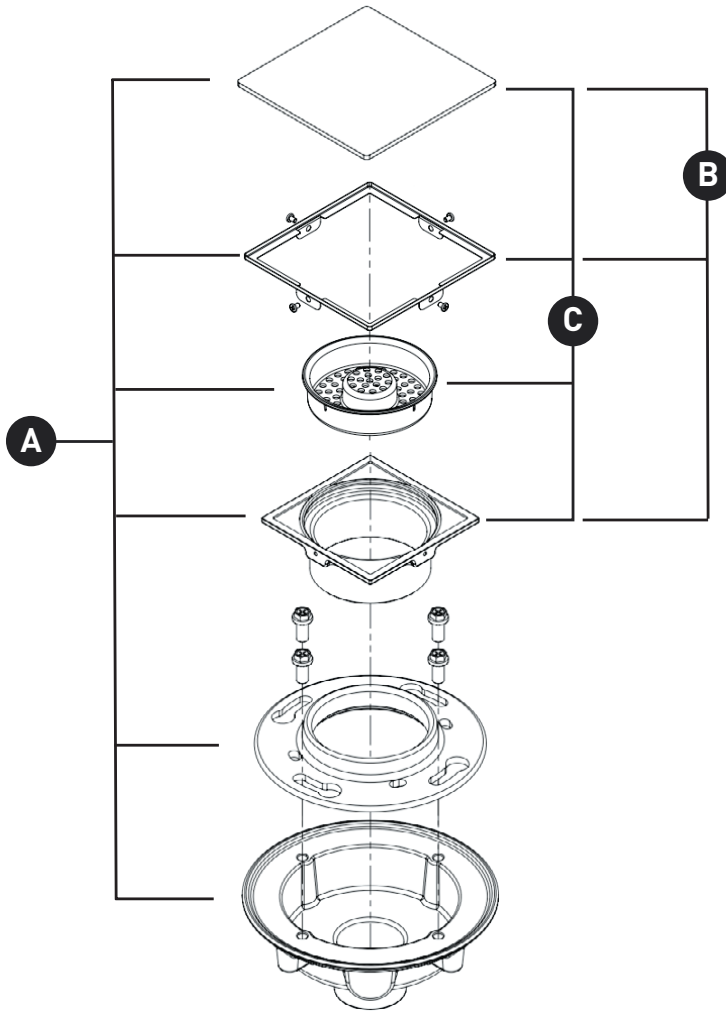
VEUILLEZ EFFECTUER VOTRE COMMANDE  
PAR NO DE RÉFÉRENCE

## ILLUSTRATIONS DES PIÈCES

### SDPVC2/3

Drain de douche 2''x 3'' en PVC

ID	Référence du kit	Finition
A	SDABS2/3	N/A
	SDPVC2/3	N/A
B	DT122ABS2	N/A
C	DT123ABS3	N/A



For warranty or additional information, contact:

U.S.A.  
houseofrohl.com/support  
1-800-777-9762

QUEBEC / MARITIMES / WESTERN CANADA  
QUÉBEC / MARITIMES / OUEST CANADIEN  
QUEBEC / MARITIMOS / CANADA OCCIDENTAL  
houseofrohl.ca/support  
1-866-473-8442

ONTARIO  
houseofrohl.ca/support  
1-800-287-5354

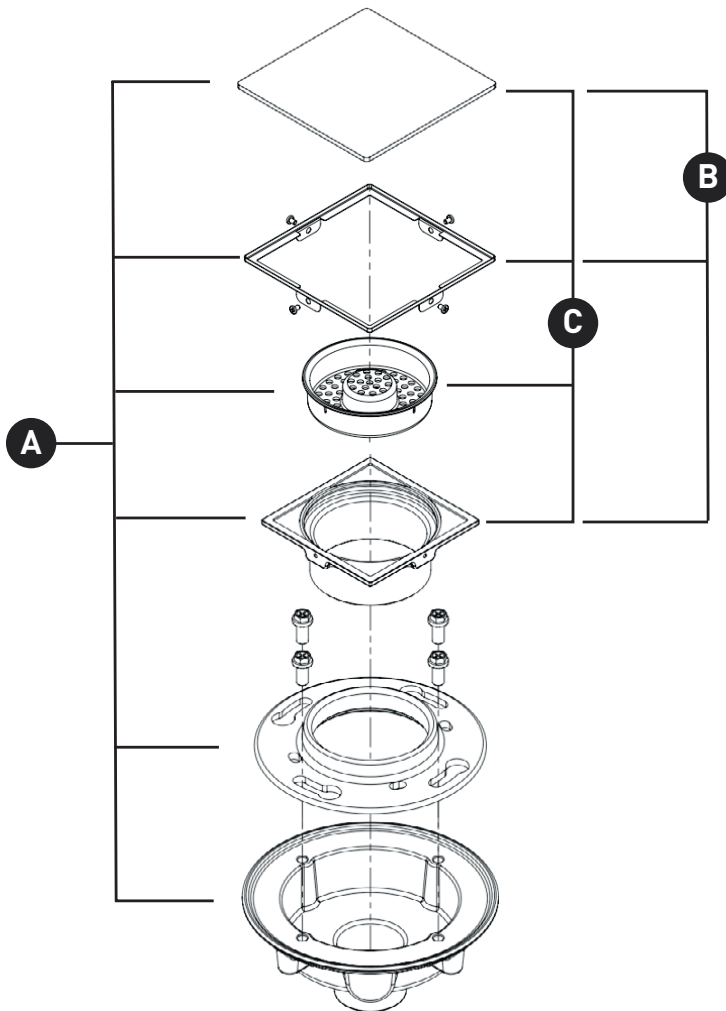
PEDIR POR NÚMERO DE REFERENCIA

## PIEZAS ILUSTRADAS

### SDPVC2/3

Drenaje de ducha de PVC de 2''x 3''

ID	Referencia del kit	Acabado
A	SDABS2/3	N/A
	SDPVC2/3	N/A
B	DT122ABS2	N/A
C	DT123ABS3	N/A



For warranty or additional information, contact:

U.S.A.  
houseofrohl.com/support  
1-800-777-9762

QUEBEC / MARITIMES / WESTERN CANADA  
QUÉBEC / MARITIMES / OUEST CANADIEN  
QUEBEC / MARITIMOS / CANADA OCCIDENTAL  
houseofrohl.ca/support  
1-866-473-8442

ONTARIO  
houseofrohl.ca/support  
1-800-287-5354