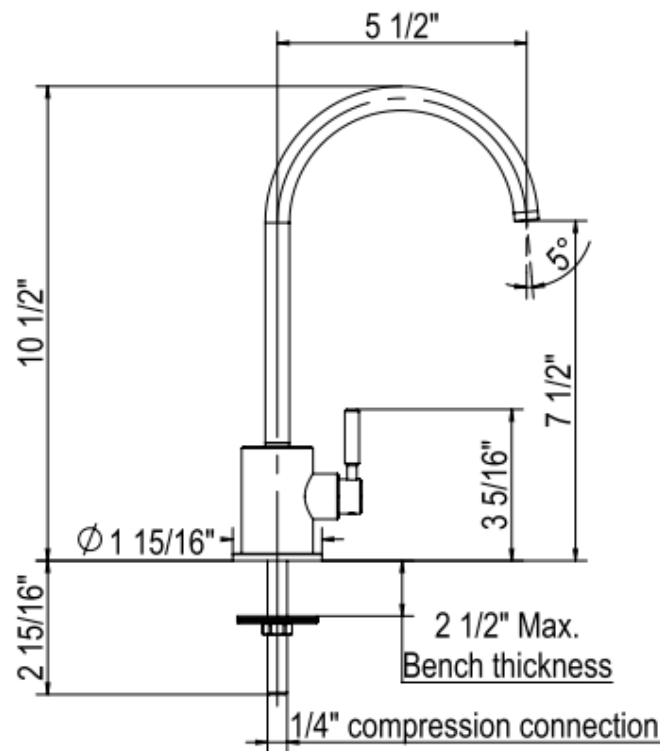


| No  | DESCRIPTION                           | QTY |
|-----|---------------------------------------|-----|
| 1   | SPOUT ASSEMBLY                        | 1   |
| 2   | BODY ASSEMBLY                         | 1   |
| 3   | O RING - BS131 (ID 1-11/16" X 3/32" ) | 1   |
| 4   | MOUNTING SYSTEM                       |     |
| 4-1 | O RING - BS011 (ID 5/16" X 1/16" )    | 1   |
| 4-2 | S.S. INLET TUBE                       | 1   |
| 4-3 | RUBBER WASHER                         | 1   |
| 4-4 | STANLESS STEEL WASHER                 | 1   |
| 4-5 | S.S. MOUNTING NUT                     | 1   |
| 5   | S.S GRUB SCREW - M5                   | 1   |
| 6   | HANDLE LEVER                          | 1   |
| 7   | SQUARE PLASTIC SLEEVE                 | 1   |
| 8   | HANDLE BEARIGN RING                   | 1   |
| 9   | HANDLE SLEEVE                         | 1   |
| 10  | 1/2" QUARTER TURN HEADWORK            | 1   |
| 11  | S.S GRUB SCREW - M4                   | 1   |

SPARE PARTS

## LUX™ KITCHEN SINGLE SIDE LEVER FILTER FAUCET R7517 INSTALLATION INSTRUCTIONS



Please leave this form with the product once installed.

### SYSTEM REQUIREMENTS

To ensure the optimum performance and customer satisfaction please adhere to the following:

- Flush out all pipe work prior to installation.
- Minimum operating pressure 40psi
- Maximum operating pressure 70psi
- Recommended operating pressure 60psi
- \*Note: Pressures over 70psi may require that the house have a pressure regulator installed to limit the pressure below 70psi.
- Maximum hot water temperature 120°F
- If the water temperature exceeds 120°F an approved tempering valve must be fitted.
- Maximum flow rate limited to 0.5 GPM at 45psi flow pressure.

**Failure to comply with the above will void all warranties.**

**Note:** It is strongly recommended that in-line filters are fitted to both inlets.

Compression connection not supplied.

#41354 07/16

## INSTALLATION INSTRUCTIONS

### ROHL WARRANTY POLICY

All products supplied by ROHL carry warranties against manufacturing defects.

Our products carry a Limited Lifetime Warranty.

For full ROHL LLC WARRANTY please contact ROHL or visit [www.rohlhome.com](http://www.rohlhome.com)

### SPARES

