

TECHNICAL DATA

- Minimum dynamic pressure7,25 PSI
- Maximum operational pressure (static)145 PSI
- Recommended operational pressure (static)14,5-72,5 PSI
- (N.B.: for pressures higher than 72,5 PSI we suggest the installation of a pressure reducer)
- Maximum test pressure (static)232 PSI
- Maximum hot water temperature176°F
- Suggested hot water temperature140°F (for energy saving)
- Flow ratemax 1,8 gpm 60psi

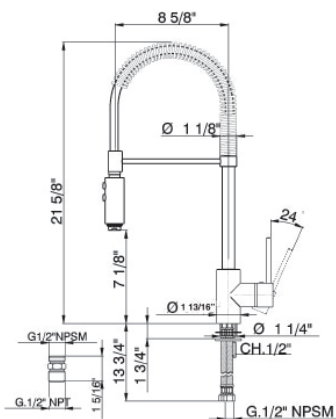
| PRESSURE | FLOW RATE |
|-----------|-----------|
| 7,25 psi | 1 gpm |
| 14,50 psi | 1,5 gpm |
| 29,00 psi | 1,8 gpm |
| 43,50 psi | 1,8 gpm |
| 58,00 psi | 1,8 gpm |
| 72,50 psi | 1,8 gpm |

PRELIMINARY INFORMATION

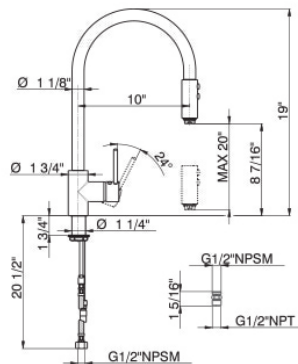
Mixers of the KITCHEN series are fit for operating with hot water collectors under pressure, instantaneous and gas water-heaters.

ATTENTION: *the connection with hot water collectors without pressure (with open circuit) is not possible.*

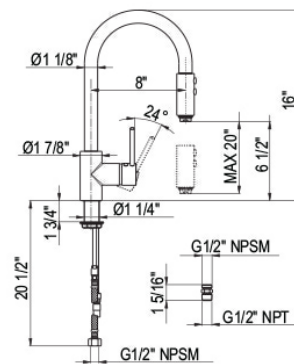
NOTE: All installations require a 2 1/2” clearance from backsplash to center of hole drilling



LS64



LS57



LS59

INSTALLATION (ref. Fig. 1-2)

- Screw the hoses (1) to the mixer using an 11 mm wrench positioning it in the appropriate milled slots.
- **IMPORTANT:** during assembly operations of hoses ABSOLUTELY NEVER TAKE GRIP of the bushes of hoses with Allen wrenches or adjustable pliers that damaging them would damage to the safety of the installation.
- Screw the fastening rod (2).
- Fix the mixer to the ceramics
- (3) Safe ceramics packing
- (4) Shaped packing of black rubber
- (5) Fixing clamp
- (6) Hexagonal nut wrench 1/2".
- Assemble the handshower's holder (9), paying attention that the red little stamp (15) is turned downwards. Place the holder in the chosen position and tighten the pin (8).
- Screw down the flexible hose (11), placing the gasket (10) between the flexible hose and the connection.
- Mount the spring (12) on the flexible hose.
- Screw down the handshower (14) on the flexible hose (11), placing the gasket (13) between the handshower and the flexible hose.
- Connect the mixer to the installation; tightening the nuts by a 3/4" wrench (Insert the gaskets (7) between the nuts and the water pipes).
- Open the water pipes and check the tightness of the connections and the proper functioning of the mixer (maximum test pressure 16 bar static).

REPLACEMENT OF THE MIXING VALVE WITH CERAMIC DISCS (ref. Fig. 3)

- Close the hot water and cold water inlets.
- Remove the plate for covering the hole (16) and unscrew the locking pin (17) using a hexagonal wrench of 3 mm
- Remove the lever and the cap (18) pulling upwards.
- Unscrew the caps (19) with the 11/4" wrench and remove the mixing valve (20).
- Insert the new mixing valve verifying that no dirt is left between the plane surface and the gaskets.
- Screw the caps (20) by **DYNAMOMETRIC WRENCH applying a screwing torque of 10Nm.**
- Insert the cap and reassemble the lever.

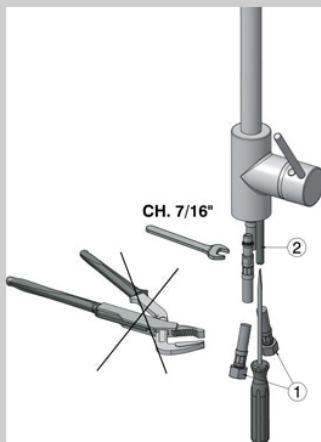


fig.1

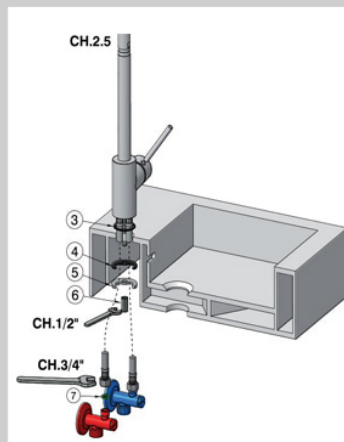


fig.2

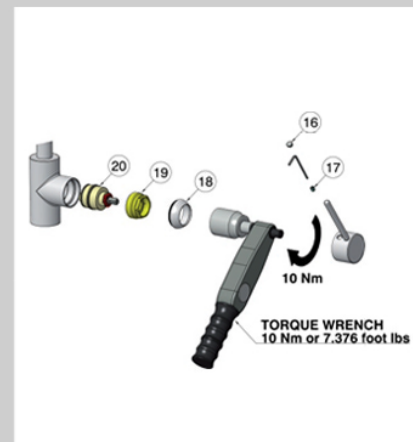


fig.3

WARRANTY

Country Bath Arcana Collection has a limited lifetime warranty.

“Warranty Exclusion: This warranty is for normal domestic use only and excludes defect or injury caused by or resulting from misuse, abuse, neglect, accident damage or improper installation”.

There is no warranty on the finish Tuscan Brass

FINISH CARE

1. WIPE DOWN AFTER USE TO AVOID SPOTTING
2. USE A SOFT BRUSH FOR DETAIL CLEANING
3. DO NOT USE SPRAY CLEANERS WITH AMMONIA, ALCOHOL OR BLEACH
4. DO NOT USE ABRASIVES LIKE COMET, AJAX OR BONAMI

| FINISH | CLEANING | CARE |
|--------------------|-------------------------|--|
| CHROME | 50-50 VINEGAR AND WATER | FLITZ WAX OR GAGNON, SIMICHROME |
| INCA BRASS | 50-50 VINEGAR AND WATER | DO NOT USE FLITZ – GAGNON OK |
| POLISHED NICKEL | 50-50 VINEGAR AND WATER | FLITZ WAX OR GAGNON, SIMICHROME |
| SATIN NICKEL | 50-50 VINEGAR AND WATER | FLITZ WAX OR GAGNON |
| TUSCAN BRASS | PAT DRY AFTER USE | FLITZ WAX. DO NOT RUB OR WIPE. |

FOR WATER SPOTTING ON CHROME, POLISHED NICKEL OR SATIN NICKEL,
USE SIMICHROME PASTE.

ROHL
Authentic Luxury for Kitchen and Bath™

ROHL LLC
3 Parker
IRVINE, CA 92618-1605 USA
TEL:800-777-9762
FAX 714-557-8635
www.rohlhome.com