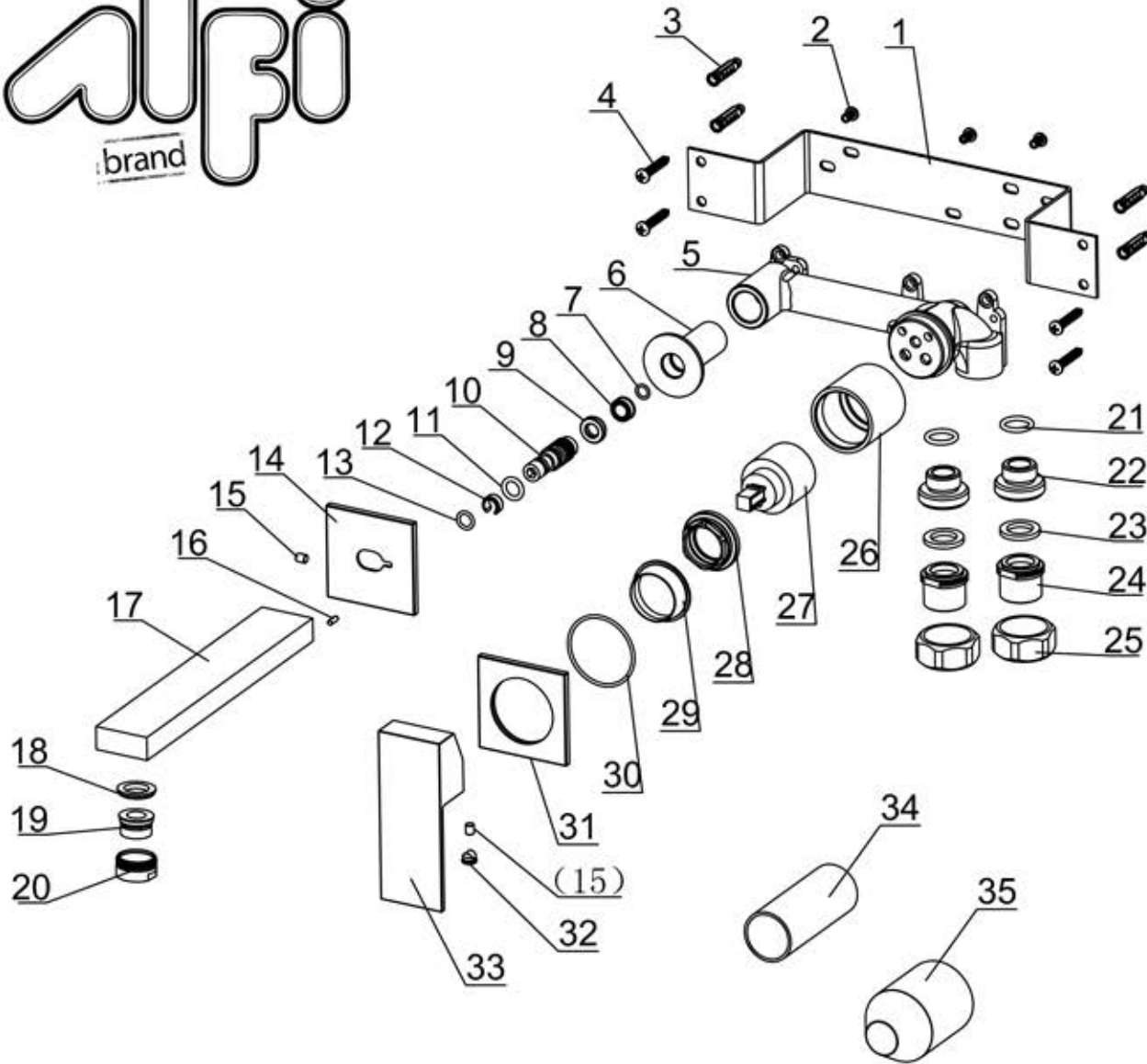


AB1468



35	2268 plastic guard	PE	1	70030023229
34	2046 plastic guard	PE	1	70030020029
33	1129 handle	Zinc alloy	1	20010010801
32	Red&blue button (HC)	ABS	1	50010008600
31	1468 plate	H59	1	50010112101
30	46*1.9 "O"ring	NBR	1	70010009630
29	2218 decorative cover	ABS	1	50010078001
28	1298 cartridge nut (M37*1.25)	H59	1	40060075252
27	35A cartridge	Assembly	1	20060003200
26	46772-2380 cartridge ring	H59	1	40060077201
25	1035 nut	H59	2	40060020952
24	1035 connection cover (1/2NPT)	H59	2	40060027752-1
23	3/4 washer (NSF)	NBR	2	70020024430
22	1518 connector	H59	2	40060027952-1
21	18*2 "O"ring (NSF)	NBR	2	70010016230
20	M24*1 housing	H59	1	50050001701
19	M24*1 insert	Assembly	1	50050022326
18	M24*1 washer (NSF)	NBR	1	70020021930
17	300100253-1368 spout	ZCuZn40Pb2	1	30010025301-1
16	Ø3*8 pin	Stainless steel	1	40010060600
15	M5*6 screw	Stainless steel	2	50060000600
14	1468 plate for spout	H59	1	50010112201
13	8*1.9 "O"ring (NSF)	NBR	1	70010023230
12	1736 separator	POM	1	70030029429
11	9.5*2.65 "O"ring (NSF)	NBR	1	70010016530
10	1368 connector	H59	1	40060071452
9	400600980 stopper	H59	1	40060098052
8	9.5*1.5 "O"ring	NBR	1	70010008530
7	Flow restrictor	Assembly	1	50050007729
6	1370 positioning joint	H59	1	40060109552
5	1768 mainbody	ZCuZn40Pb2	1	10010123952-1
4	Tapping screw ST4. 0*30	Stainless steel	4	50060023000
3	Explosive plug 6*30	Plastic	4	50020069529
2	M5*8 screw	Stainless steel	3	50060009500
1	1368 fixing seat	Q235	1	50020043401
No.	Description & Specification	Material	Qty	Item no.