

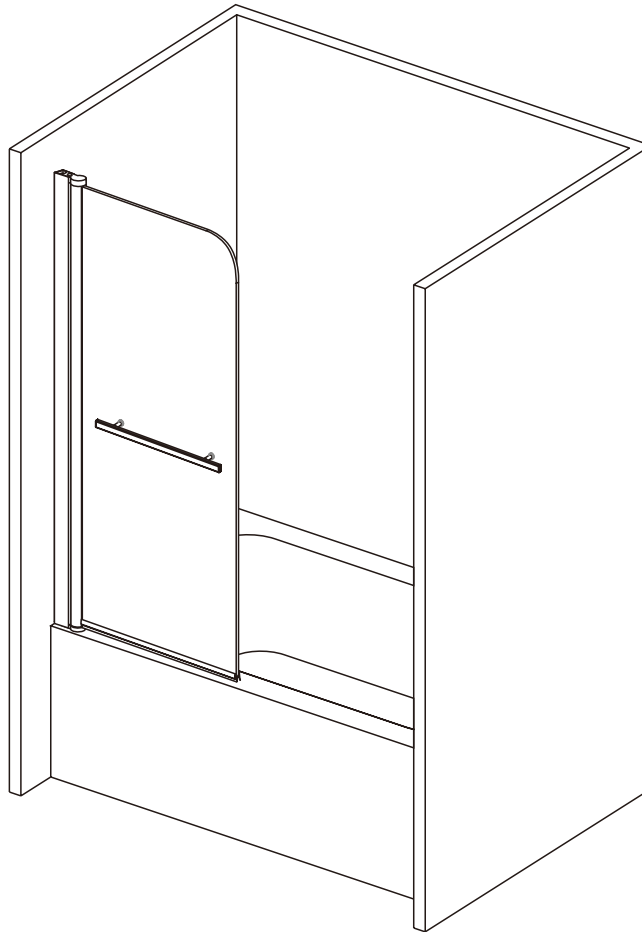


ANZZI®

ITEM: SD-AZ53-01\*\*  
ANZZI TUB DOOR  
INSTALLATION & OPERATION MANUAL

V2.1

10/30/2022



# DON'T WAIT! REGISTER NOW!

Register your product within 90 days to ensure your product is recognized as an official purchase and is eligible for warranty coverage.

Mail in the completed registry card (Pg. 2) or register online at [www.swcorp.com/register](http://www.swcorp.com/register).



## PRODUCT REGISTRATION\*

**IMPORTANT: YOUR WARRANTY WILL NOT BE RECOGNIZED UNLESS THIS CARD IS FULLY COMPLETED AND RETURNED OR ONLINE REGISTRATION IS COMPLETED.**

To ensure that your warranty is registered and confirmed please do one of the following:

1. **Register online at [www.swcorp.com/register](http://www.swcorp.com/register).** You will be asked to fill out the same information you would in the registration card. Registering online is fast, secure and ensures we receive your information.
2. **Complete, cut out and mail the registration card below.** By returning this registration card we confirm the date of purchase for your new product. This confirmation will allow us to process any warranty claims.

**Mail the card to: 5701 NW 35 Avenue, Miami, FL 33142**



### Product Registration Card

Name..... Address .....

City..... State..... Zip.....

Phone ..... Email.....

Date of Purchase ..... Order or Purchase # ..... SKU or Model # .....

Installer's Name ..... Phone .....

I have read the Owner's Manual carefully and understand and agree that any installation, operation or maintenance of the product must be done strictly in accordance with instructions and guidelines contained in the owner's manual and installation guide.

Signature..... Date.....

**Need help? For technical support call 305-614-4070 or visit us at [www.ANZZI.com](http://www.ANZZI.com)**



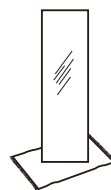
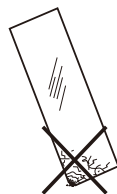
# STOP!

**READ BEFORE YOU PROCEED!  
TO KEEP GLASS FROM BREAKING, MAKE SURE:**

- 1. This product is heavy and requires two people to install.**
- 2. Glass corner protectors remain on during installation.**
- 3. Glass protective seals are mounted to the door before opening/closing.**

## **WARNING**

PROTECTIVE EQUIPMENT MUST BE WORN WHEN HANDLING GLASS



# INSTALLATION GUIDE

## BEFORE YOU BEGIN

- Please check the product for damage and missing parts immediately upon delivery. Damage reported later will not be covered by our warranty. Please handle the product with care. Avoid any impact to the sides and edges of the glass.
- Consult your local building codes before installation.
- To reduce the risk of breakage, keep corner protectors on the glass while installing.
- If this unit is being installed in new construction, please install all required plumbing and drainage before installing the shower. Use a licensed plumber/contractor (if required by local code) for all plumbing installations.
- Before beginning installation, make sure all surfaces are level, solid and will support the total weight of the unit. Also, make sure the walls are at right angles. Irregular installation surface level, radius corners, or improper angle of side walls will result in serious problems for your installation. Please note that some adjustments and drilling might be necessary during the installation process.
- Please protect all primary surfaces of the product during installation. Never set your glass down directly onto a tile floor. Leave corner protectors in place until necessary to remove them. Always use wood or cardboard to protect the bottom edge and corners of the glass before and during installation.



## WARNING

- This unit must be installed upon a finished threshold and against finished walls.
- Take care to avoid hidden pipes or electrical cables when drilling holes in walls.
- This product is heavy and requires two people to install it.
- When cutting or drilling metal components or handling glass, wear protective eye wear, gloves, and closed-toe shoes to reduce the risk of personal injury.
- Failure to follow instructions when installing this product may result in personal injury, property damage, or product failure and may void the warranty.

# INSTALLATION GUIDE

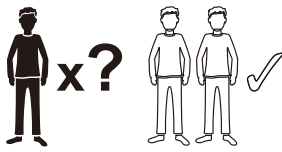
## BEFORE YOU BEGIN



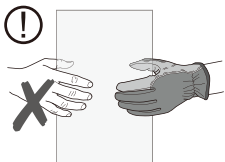
### ATTENTION

- Threshold must be level for better sealing.
- This model requires a minimum 1-3/4" (44mm) of flat level threshold space for installation.

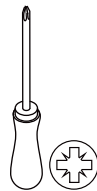
## Tools Required



- This product is heavy and requires two people to install.



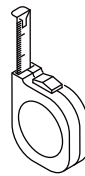
- Use cut-resistant, non-slip gloves to reduce the risk of personal injury and to hold the glass firmly.



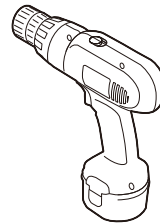
Phillips  
Screwdriver



Level



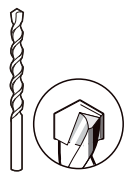
Tape  
Measure



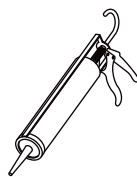
Drill



1/8"  
(3mm)  
Drill Bit



1/4"  
(6mm)  
Drill Bit



100%  
Silicone  
Sealant



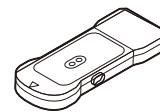
Pencil



Rubber  
Mallet



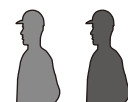
Safety  
Glasses



Stud Finder



This product is heavy and requires two people to install.

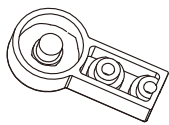
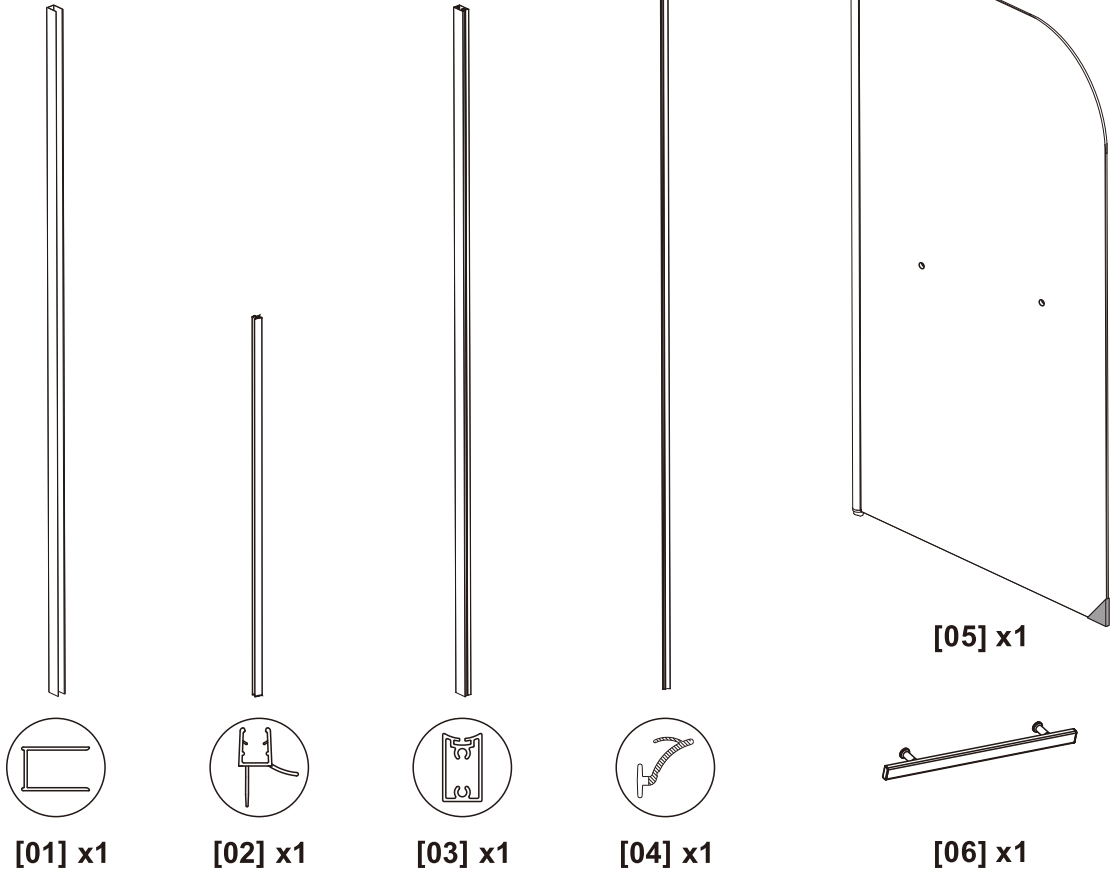




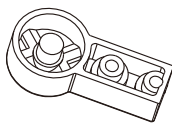
# WARNING

To prevent damage to glass and potential injury, make sure to follow the instructions on page 1.

## PARTS



[07A] x1



[07B] x1



[08] x7 (ST4x35mm  
[1-3/8"])



[09] x3



[10] x3



[11] x3 (ST4x8mm  
[5/16"])



[12] x1 (1.5mm)



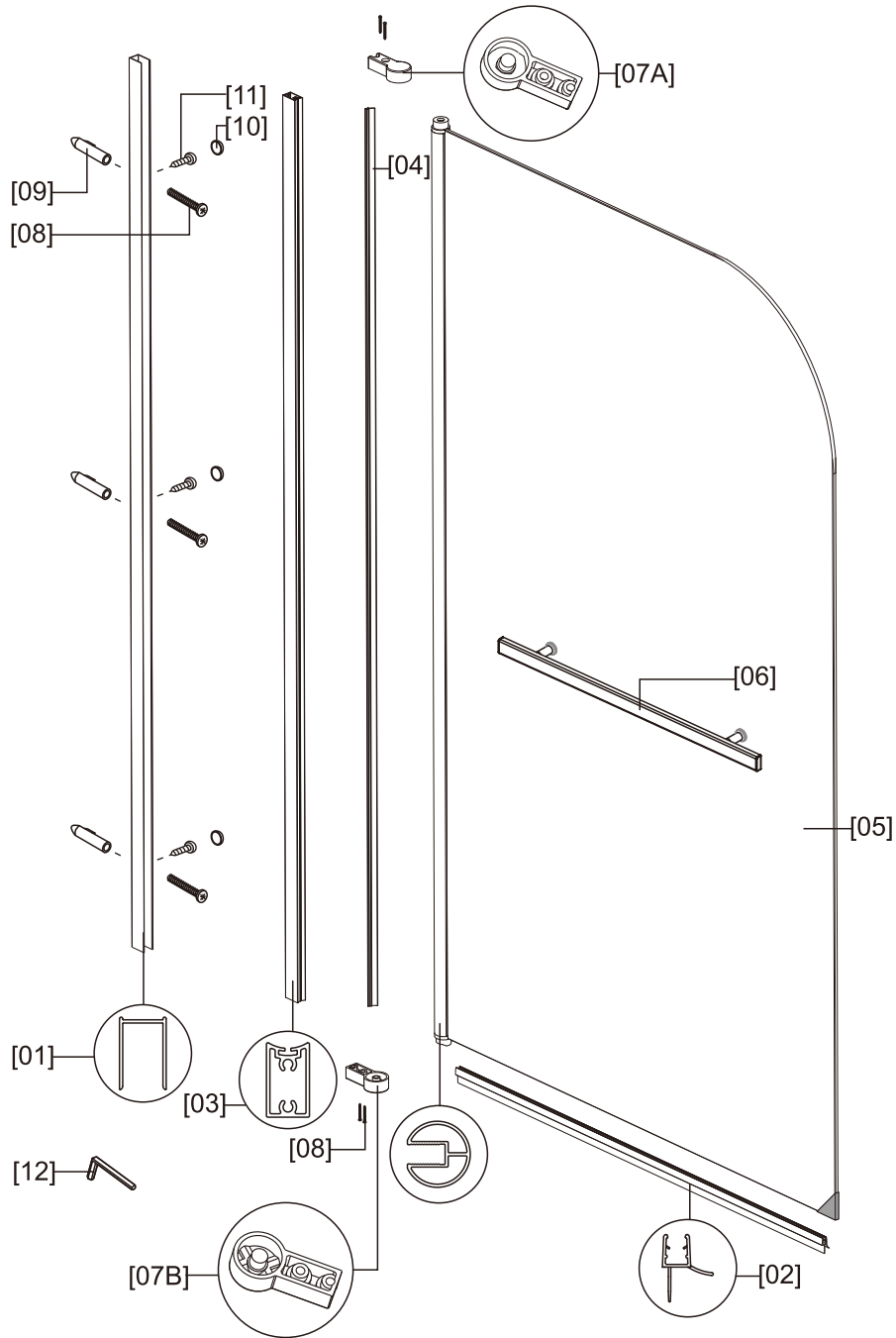
[13] Lubricant x1



# WARNING

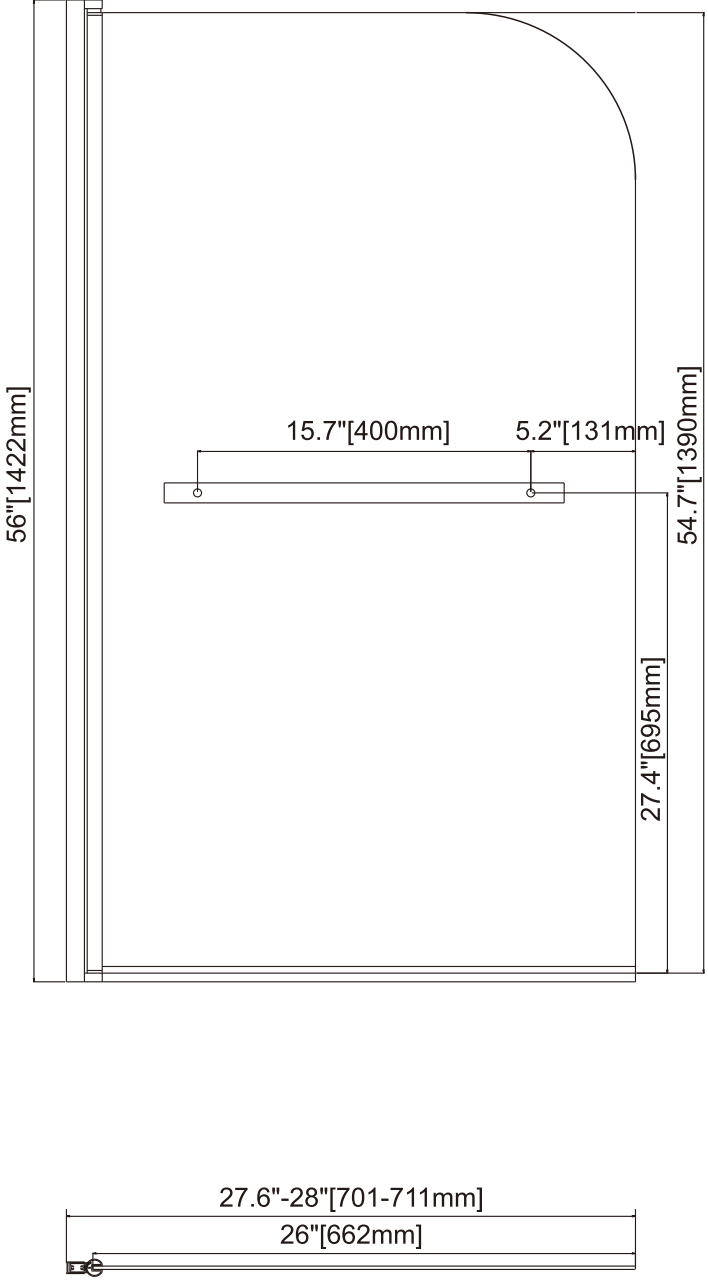
To prevent damage to glass and potential injury, make sure to follow the instructions on page 1.

## ASSEMBLY



Part	Description	Qty.	Part	Description	Qty.
[01]	Wall Post	1	[08]	Screws ST4X35	7
[02]	Water sealing Strip	1	[09]	Anchors	3
[03]	Vertical Profile	1	[10]	Screw Caps	3
[04]	Side Water sealing Strip	1	[11]	Screws ST4X8	3
[05]	Door Panel	1	[12]	1.5mm Allen Key	1
[06]	Handle Sets	1			
[07A]	Top Shaft Seat	1			
[07B]	Bottom Shaft Seat	1			

# SD-AZ053-01\*\* 28\*56"







## ATTENTION

- To avoid personal injury or property damage, identify components and read all instructions before installing.
- This model requires a minimum 1" (25.4mm) flat level tub deck for sealing.

## INSTALLATION INSTRUCTIONS

### Step 1

1. This shower door must be mounted to a stud. Minimum tub deck space is required.  
**IMPORTANT:** Using a stud finder, ensure the wall intended to hold the door has a stud at the installation point. If there is no stud in the shown area, we recommend employing a qualified contractor to install one. (Fig 1)
2. This manual shows left side installation. For right side installation, transpose all instructions.
3. Using a level, position the **Wall Post [01]** on the tub deck and against the wall, in line with your threshold/tub deck. This unit requires 1" of flat tub deck space for installation (Fig 1).

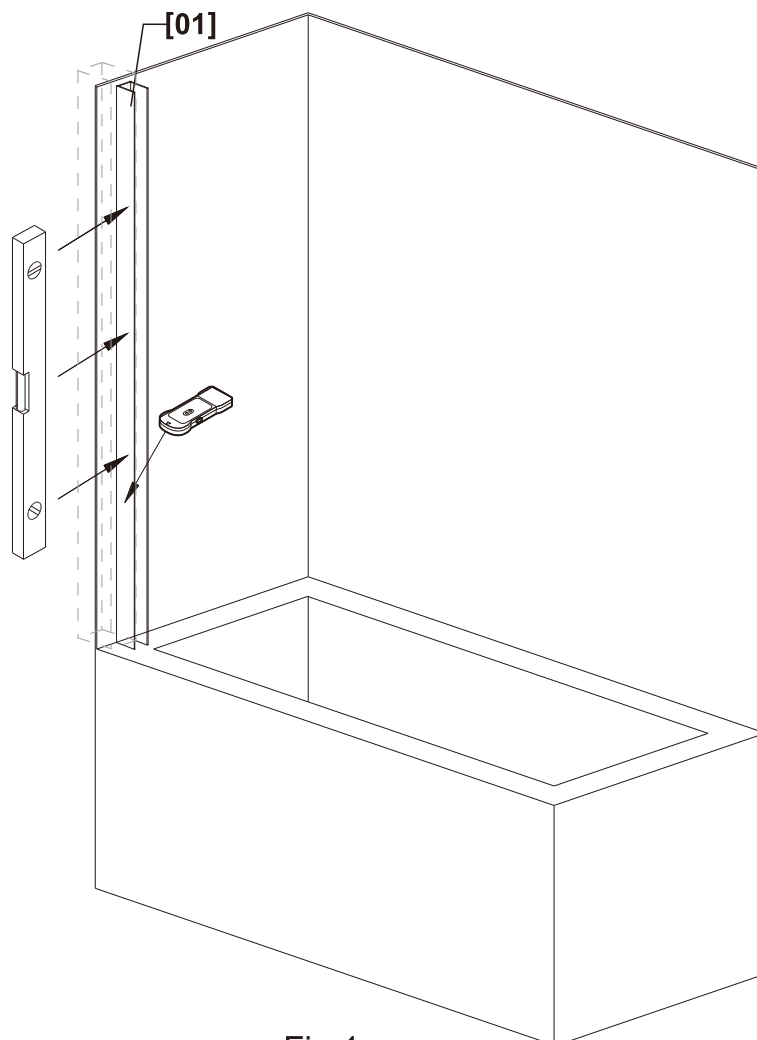


Fig 1

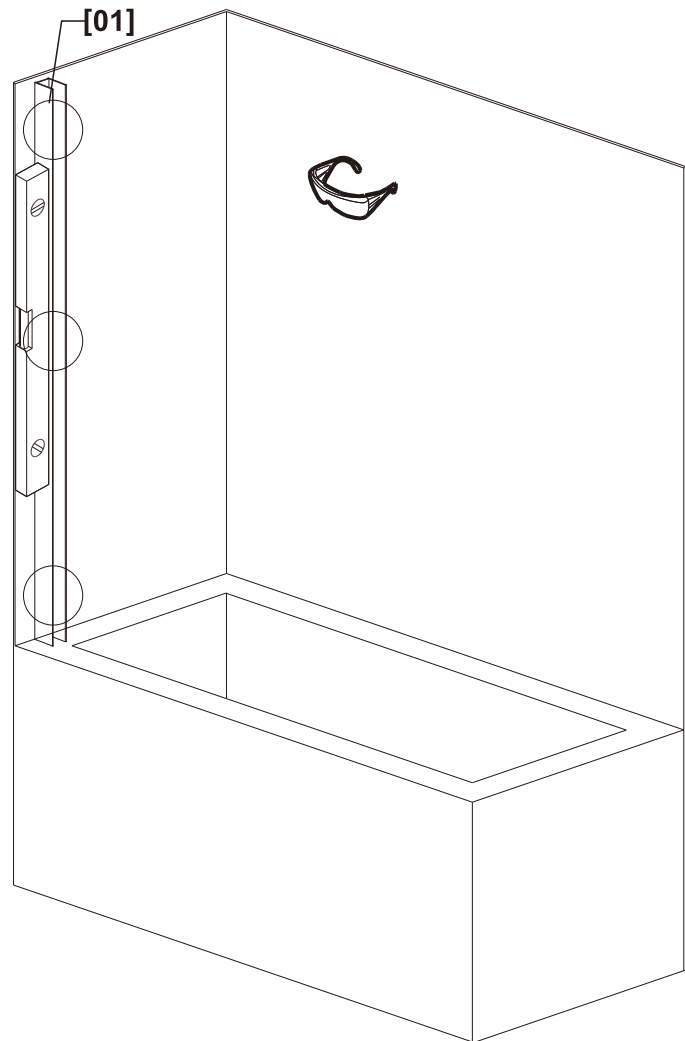
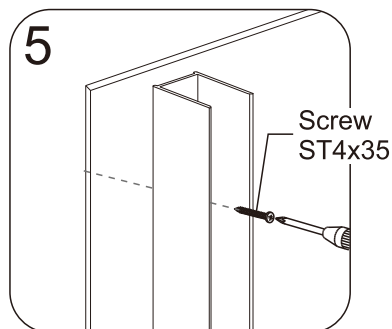
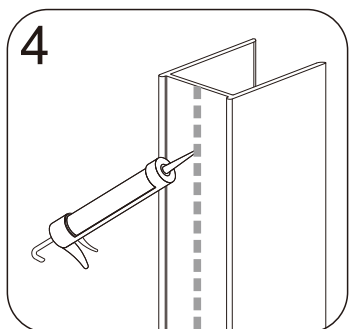
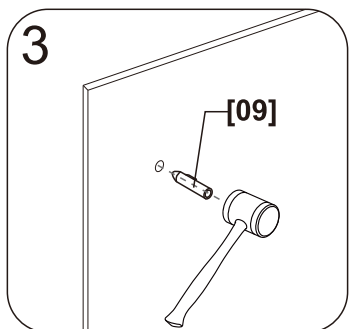
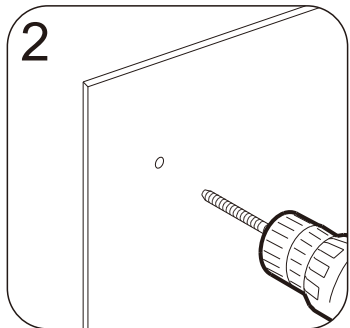
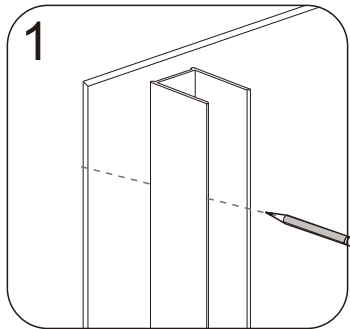
## Step 2

1. Mark the drill hole locations on the wall using the predrilled holes in the **Wall Post [01]** (Fig 2.1).
2. Drill a 1/4" hole at each location and insert the **Anchors [09]** (Fig 2.2, Fig 2.3).
3. Apply silicone sealant along the back of the **Wall Post [01]** (Fig 2.4).
4. Fasten the **Wall Post [01]** to the wall with the **Screw ST4X35 [08]** (Fig 2.5).



### ATTENTION

Wear safety glasses and cut-resistant, non-slip gloves when drilling or cutting to avoid risk of injury.





# WARNING

To prevent damage to glass and potential injury, make sure to follow the instructions on page 1.

## Step 3

1. Slide the **Side Water Sealing Strip [04]** to the groove of **Vertical Profile [03]**. (Fig 3)

Note: Make sure the flange of **Side Water Sealing Strip [04]** points outside after the **Vertical Profile [03]** is secured to **Wall Post [01]**. (Fig 3.1)

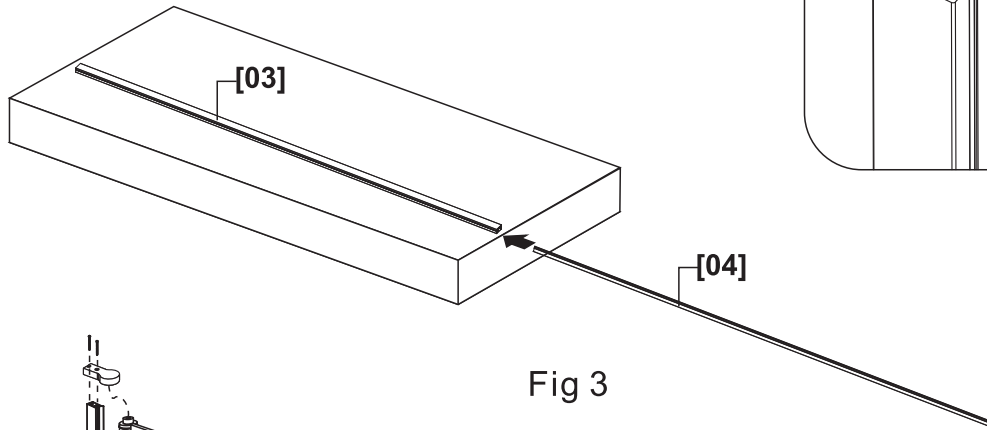


Fig 3

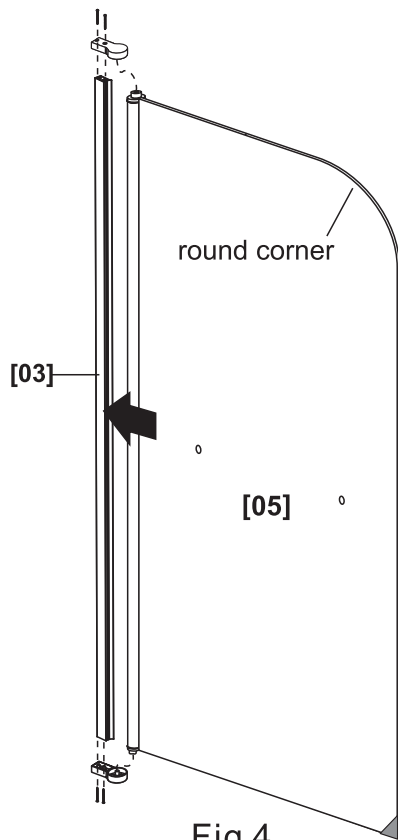
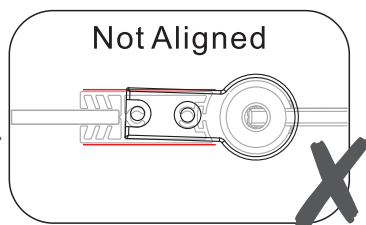
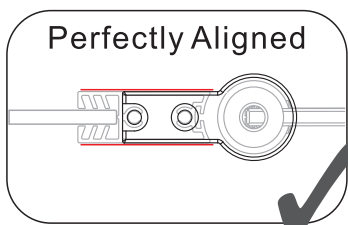
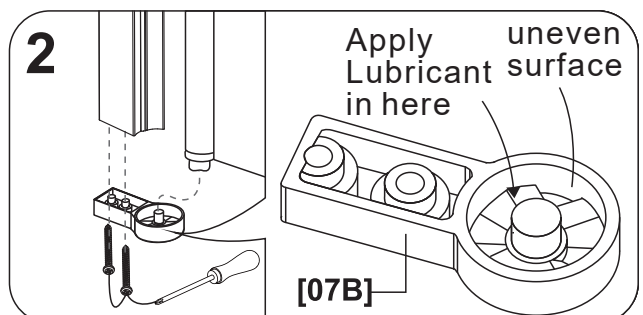
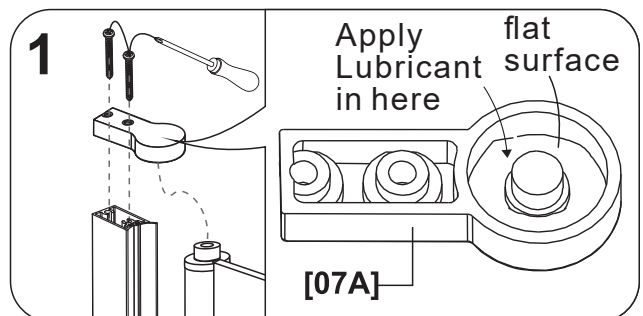


Fig 4

## Step 4

1. Attach **Door Panel [05]** to the **Vertical Profile [03]** and secure by **Top Shaft Seat [07A]** and **Bottom Shaft Seat [07B]** and 4 **Screw ST4X35 [08]** at the top (Fig 4.1) and the bottom (Fig 4.2).

Note: Make sure the Top shaft seat and Bottom shaft seat are completely parallel to the vertical profile. Apply the **Lubricant [13]** to the surfaces for a smoother operation and avoid unexpected noise. Then tighten the screws.



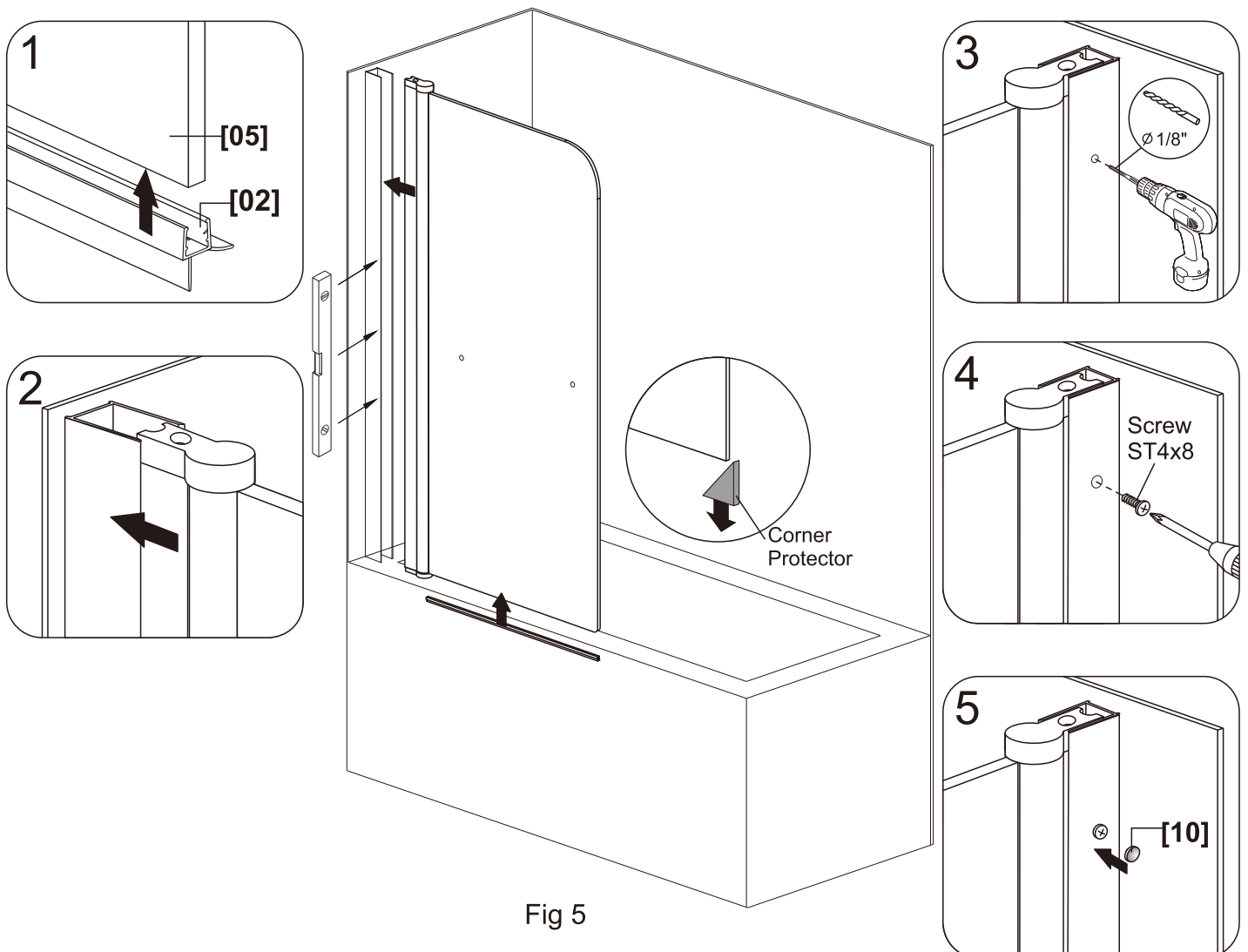


## WARNING

To prevent damage to glass and potential injury, make sure to follow the instructions on page 1.

### Step 5

1. Carefully remove the **Corner Protectors** from the **Door Panel [05]** and attach the **Water sealing Strip [02]** to the bottom edge of the **Door Panel [05]** (Fig 5.1).
2. Slide the assembled **Door Panel with hinge** into the groove of the **Wall Post [01]** and level it vertically (Fig 5.2).
3. Make final adjustment (up to 1/2") if needed. Hold the **Door Panel assembly** steady and drill the holes through the first layer of the **Wall Post [01]** and into the **Door Panel assembly** using an **1/8" drill bit** (Fig 5.3).
4. Secure the **Door Panel assembly** to the **Wall Post [01]** with the **Screw ST4X8 [11]** (Fig 5.4).
5. Cover the screw heads with the **Screw Cap [10]** (Fig 5.5).



## Step 6

1. Disassemble gaskets by removing handle knobs (Fig 6.1).
2. Install handle, gaskets and handle knobs to **Door Panel [05]**. Tighten handle knobs with **Allen Key [12]** to secure (Fig 6.2).

**IMPORTANT:** Ensure handle gaskets are placed on each side of glass.

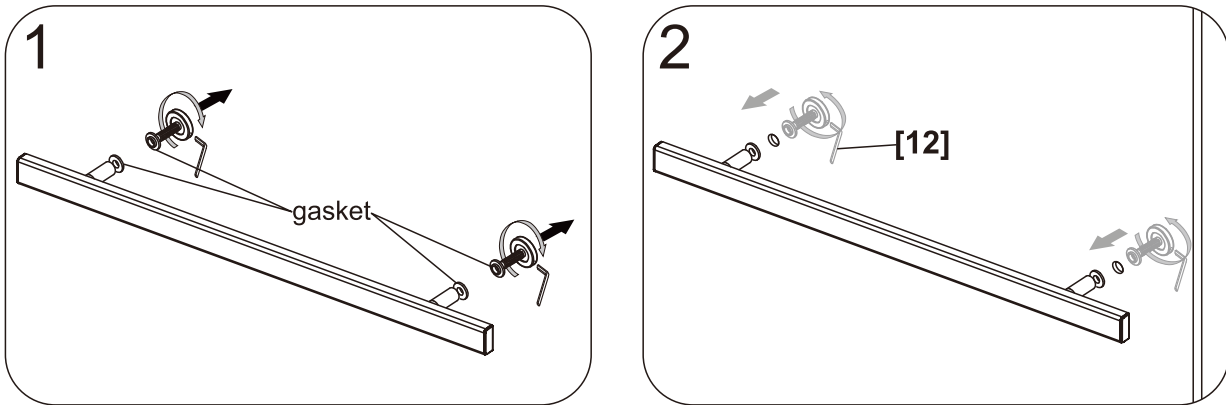


Fig 6

## Step 7

1. Apply a good quality Silicone Sealant at the outer corner formed by the wall and the **Wall Post [01]** and hinge. (Fig 7)



**Allow 24 hours for the silicone to fully cure before using the shower.**

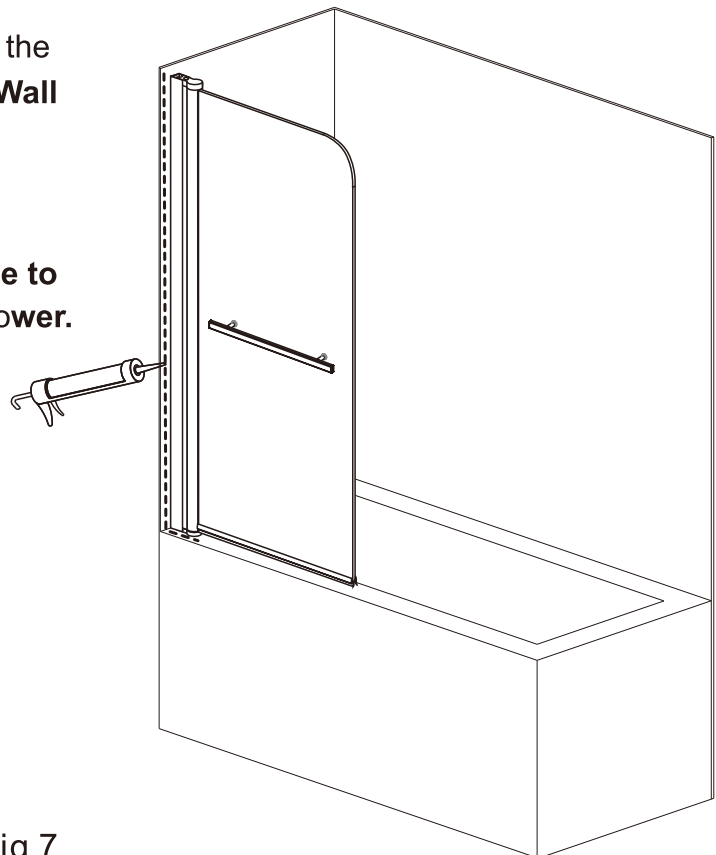


Fig 7

## Care & Maintenance

**TUBS and BACK WALLS:** Wipe them off after each use with a soft cloth. To clean the acrylic surface, use non-abrasive sprays or cream based cleaners. Avoid the use of aerosol spray cleaners. Never use abrasive cleansers, metal brushes, or scrapers, as they can scratch or dull the surface.

**GLASS:** Wipe off the glass after each use with either a soft cloth or a squeegee to prevent soap buildup and water spots (hard water can etch the surface of the glass over time if left to dry). To avoid damaging the surface, never use abrasive cleaners or cleaning products that contain scouring agents. Likewise, never use bristle brushes or abrasive sponges that can scratch the surface.

**HARDWARE:** To ensure a long-lasting finish, wipe off the metal parts after using with a soft cloth. Do not use abrasive cleaners or cleaning products containing ammonia, bleach, or acid. If accidentally used, rinse the surface as soon as possible to prevent damage to the finish (peeling or corrosion). After cleaning the polished finishes, rinse thoroughly and wipe dry with a soft cloth. Clean stainless steel surfaces at least once a week. When applying stainless steel cleaner or polish to stainless steel hardware, work with (not across) the grain. Never use an abrasive sponge or cloth, steel wool, or wire brush, which may permanently scratch the surfaces.

**NOTE: Regularly inspect the glass and all hardware for misalignment, proper attachment, and damage. Contact ANZZI with any questions or concerns.**

