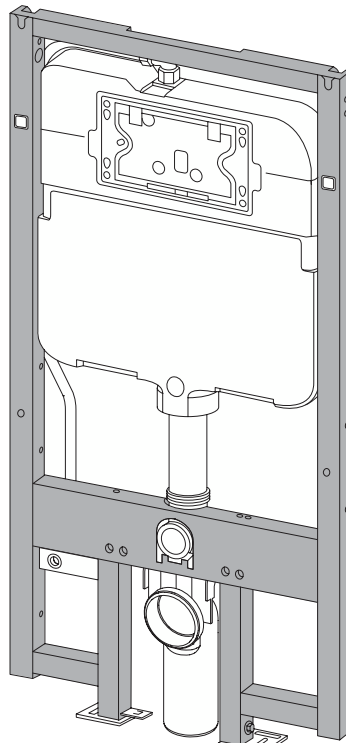


DuoFit In Wall Tank System
Sistema de tanque empotrado DuoFit
Systeme de réservoir mural DuoFit
Sistema de depósito de parede DuoFit



WT171M
WT172M

Warranty Registration and Inquiry

For product warranty registration, TOTO U.S.A. Inc. recommends online warranty registration. Please visit our web site <http://www.totousa.com>. If you have questions regarding warranty policy or coverage, please contact TOTO U.S.A. Inc., Customer Service Department, 1155 Southern Road, Morrow, GA 30260 (888) 295-8134 or (678) 466-1300 when calling from outside of U.S.A.

TABLE OF CONTENTS

Thanks for Choosing TOTO!.....2
 Common Tools Needed.....2
 Included Parts.....2
 Before Installation.....3-4
 Installation Procedure.....5-8
 Servicing Procedures.....9-10
 Warranty.....11

THANKS FOR CHOOSING TOTO!

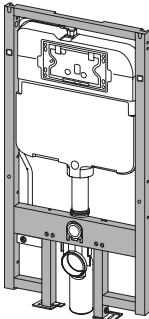
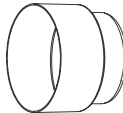

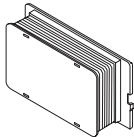
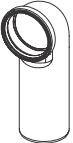
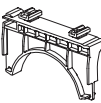






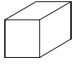




The mission of TOTO is to provide the world with healthy, hygienic and more comfortable lifestyles. We design every product with the balance of form and function as a guiding principle. Congratulations on your choice.

COMMON TOOLS NEEDED

- Hacksaw
- Flat File
- Drill
- 1/8" (3mm) Drill Bit
- 3-1/2" (89mm) Hole Saw
- 7/16" (11mm) Open or Boxed-end Wrench
- Tape Measure
- Carpenter's Level

INCLUDED PARTS

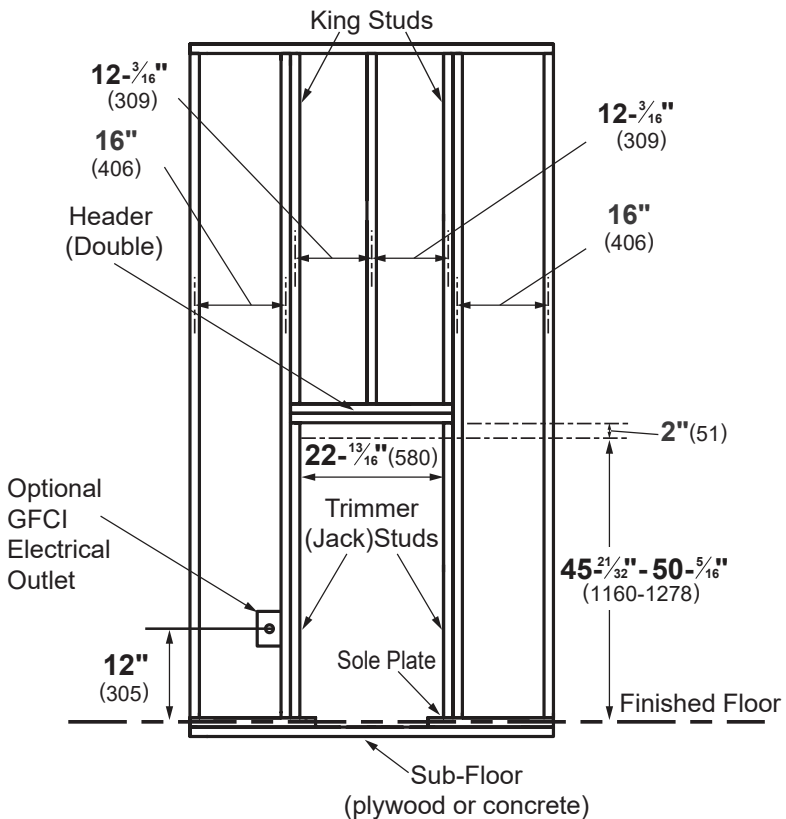
Check to make sure you have all these parts from the package:

 <p>In Wall Tank (Carrier)</p>	<p><u>Parts in Bag</u></p> <div style="display: flex; justify-content: space-around;"> <div data-bbox="602 778 725 944">  <p>Outlet Pipe Mud Guard</p> </div> <div data-bbox="795 794 890 944">  <p>Inlet Pipe Mud Guard</p> </div> </div> <div style="margin-top: 20px;">  <p>Push Plate Rough In</p> </div>
<p><u>Parts in Bag 1</u></p> <div style="display: flex; flex-wrap: wrap;"> <div style="width: 33%;">  <p>Outlet Pipe</p> </div> <div style="width: 33%;">  <p>Upper bracket</p> </div> <div style="width: 33%;">  <p>Lag Screw (8)</p> </div> <div style="width: 33%;">  <p>Threaded Mounting Stud (2)</p> </div> <div style="width: 33%;">  <p>Lower Bracket</p> </div> <div style="width: 33%;">  <p>Anchor (2)</p> </div> </div>	<p><u>Parts in Bag 2</u></p> <div style="display: flex; flex-wrap: wrap;"> <div style="width: 33%;">  <p>Flange Pipe</p> </div> <div style="width: 33%;">  <p>Inlet Pipe</p> </div> <div style="width: 33%;">  <p>Lubricated sponge</p> </div> <div style="width: 25%;">  <p>Nut (2)</p> </div> <div style="width: 25%;">  <p>Cap (2)</p> </div> <div style="width: 25%;">  <p>Washer (2)</p> </div> <div style="width: 25%;">  <p>Stud bolt Flange (2)</p> </div> </div>

BEFORE INSTALLATION

- Read these instructions thoroughly before beginning work.
- Please leave these instructions with the customer. They contain important maintenance and warranty information.
- If necessary, remove the existing toilet.
- CAUTION! Be sure to properly bleed all air from the piping system prior to using any TOTO products. Trapped/compressed air can cause damage to the flushing system and toilet bowl.
- Do not loosen or tamper with the copper fittings or joint connections.
- Framing support should be capable of supporting 880 lb load without damage to the wall. When metal framing studs are used, rigid, non-flexing bracing supports should be added to create a rigidity of the base. This will serve to minimize any flexing observed in the finished wall from sitting to standing and avoid cracks in the wall.

Prepare the support for the carrier as shown. Consult with a building contractor and/or local codes for any additional requirements. Add a double wall studs (king and jack) and double header per the shown dimensions. Confirm that the opening is square.



BEFORE INSTALLATION

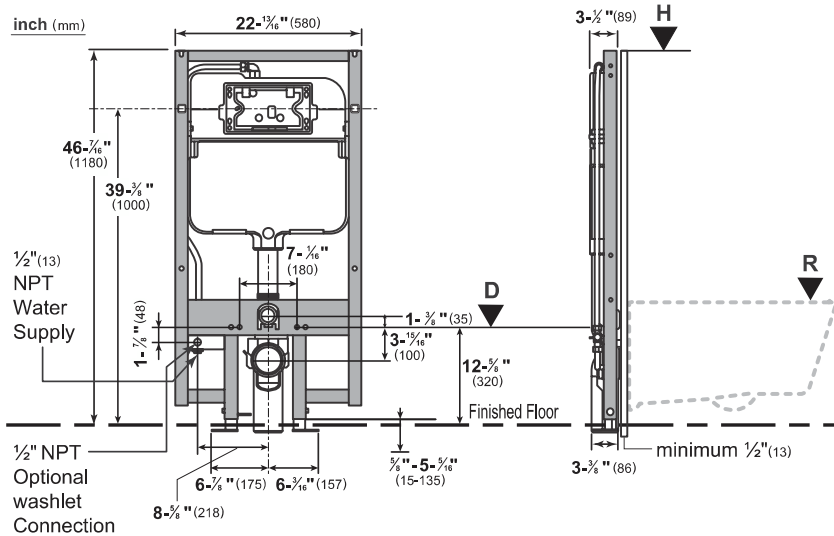


Table 1: Dimensions measured from Finished Floor

inch

Toilet Rim Height (R)	System Height (H)	Threaded Mounting Stud Height (D)
15-11/32"	45-21/32"	11-13/16"
16"	46-5/16"	12-15/32"
17"	47-5/16"	13-15/32"
18"	48-5/16"	14-15/32"
19"	49-5/16"	15-15/32"
20"	50-5/16"	16-15/32"

mm

Toilet Rim Height (R)	System Height (H)	Threaded Mounting Stud Height (D)
390	1160	300
406	1176	316
432	1202	342
457	1227	367
483	1253	393
508	1278	418

ENGLISH

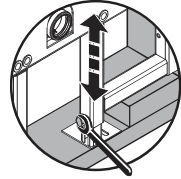
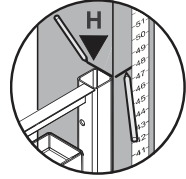
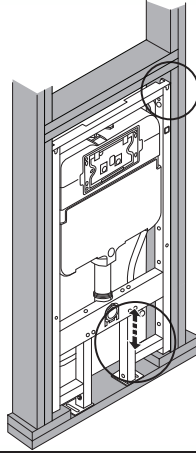
INSTALLATION PROCEDURE

Installing the In-Wall Tank System

Loosen the bolts on the adjustable legs and adjust the carrier to the desired height with reference to the Finished Floor (see Table 1 for guide).

Place the carrier so that the front of the carrier frame is flush with the front of the supporting wall frame.

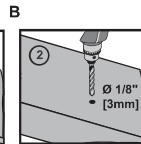
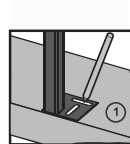
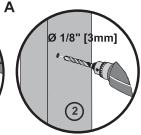
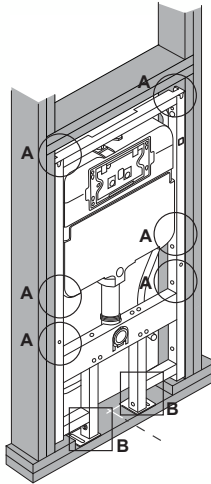
Tighten the two bolts on the legs to secure the height of the carrier.



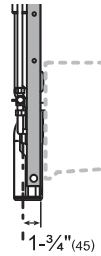
Mark the location for drilling pilot holes for the screws to secure the carrier to the wood frame.

There are six (6) screws for the side (3 on each side) and two on the feet. Make sure the carrier is flush with the wood frame before placing the markings.

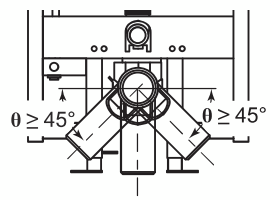
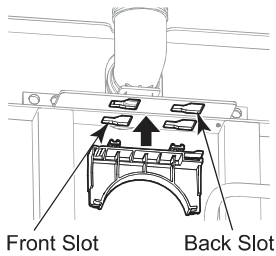
Remove the carrier from the wood frame, drill six (6) 1/8" (3mm) holes on the wall stud (Trimmer/Jack) and two (2) on the subfloor (plywood); for concrete, drill 3/8" (10mm) holes for anchors.



For vertical drain installation, clip the upper bracket to the front slot of the frame as shown. Drill a 3-3/4" (95mm) hole on the subfloor 1-3/4" (45mm) from the front of studs.

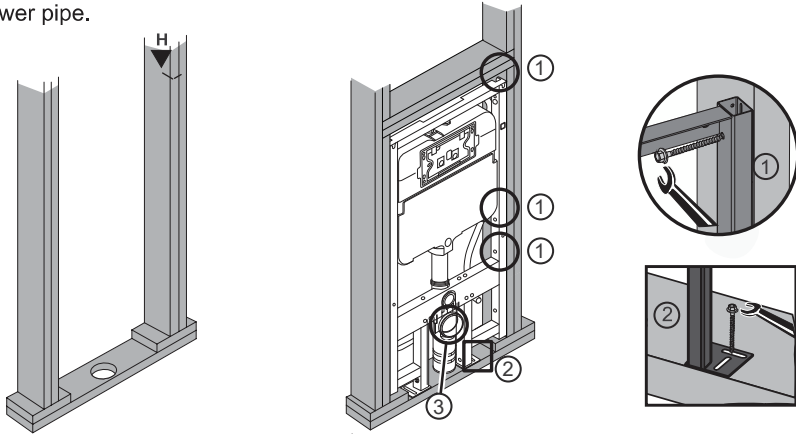


For left or right drain installation, clip the upper bracket to the back slot of the frame as shown.

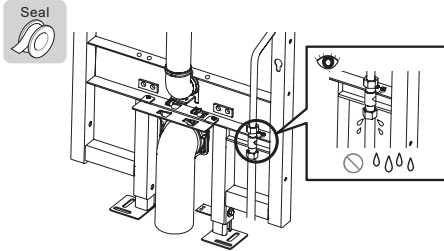


ENGLISH

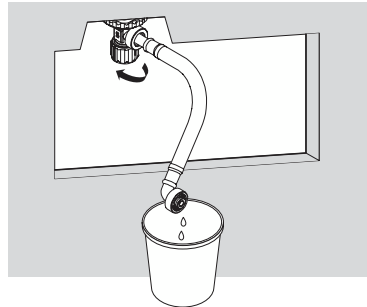
Use the lower bracket to lock the outlet pipe to the Carrier.
 Place the carrier into the wood frame, make sure the carrier is horizontally leveled and flush is placed in the front face of the stud frame.
 Use the screws provided for securing the System. Install the outlet pipe to the sewer pipe.





Plumb the water supply line and check for leak. Do not remove the block cap of the inlet for Washlet.




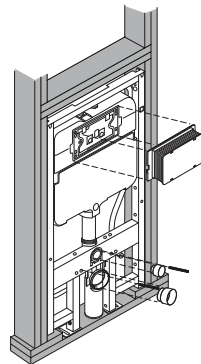
Before connecting the flexible hose to the fill valve, open shutoff valve to let water run for a minute or two.



After that, shut off the valve and the main supply valve.

 CAUTION This indicates that misoperation could result in injury or physical damage.	
 Required	<p>It is important to reconfirm that there is no water leakage at all connections.</p> <p>Incomplete connection could cause foul odor or water to leak.</p> <p>Do not loosen or tamper with the copper fittings or joint connections.</p>

The  symbol indicates something that must be done.



Insert the mud guard for the inlet and outlet, the push plate rough-in for the push plate and the two (2) Threaded Mounting Stud for the mounting bowl on the inner holes.

Cutting Out the Wall Location

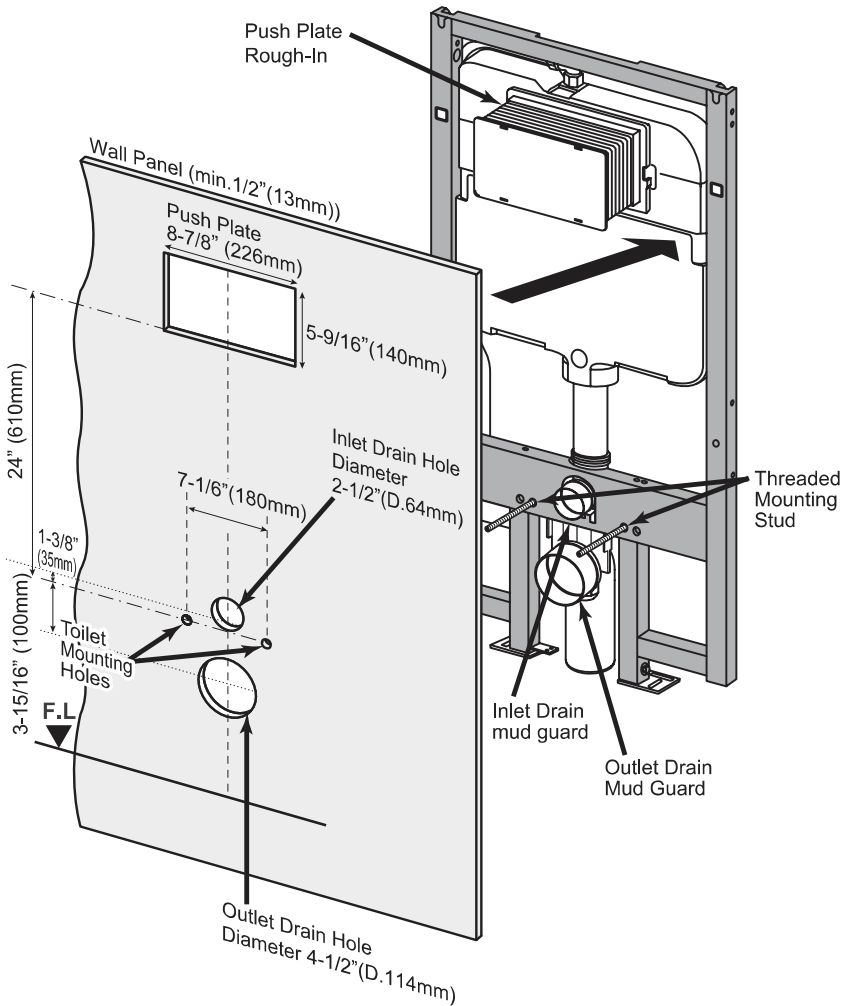
Recommended minimum 1/2" (13mm) drywall installation. Use the protruding parts on the carrier to locate the cuts on the wall.

Cut a 4-1/2" (114mm) diameter hole for the outlet drain.

Cut a 2-1/2" (64mm) diameter hole for the water inlet.

Cut two 3/4" (19mm) diameter holes for the threaded mounting stud.

Cut a 8-7/8" (226mm) x 5-9/16" (140mm) hole for the push plate.

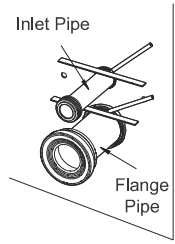


Installing Toilet on the In-Wall Tank System

- 1) Apply lubrication using the supplied sponge in the inlet and outlet drain to facilitate installation. Insert the inlet pipe into the tank drain outlet until it stops.

Place the edge of a ruler against the finished wall and on top of the inlet pipe. Mark the location as shown and remove the inlet pipe.

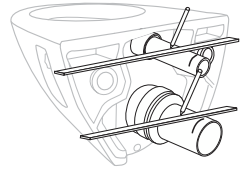
Repeat this process with the flange pipe.



- 2) Insert the inlet pipe end with the gasket into the back of the toilet bowl.

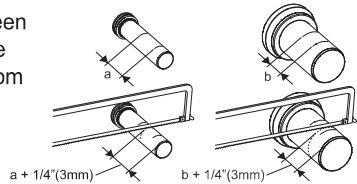
Place the edge of a ruler against the whole width of the back of the toilet and on top of the inlet pipe. Mark the location as shown and remove the inlet pipe.

Repeat this process with the flange pipe.



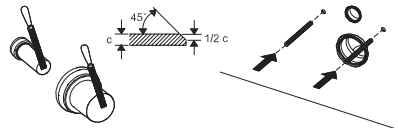
- 3) As shown in the figure, measure the distance between two lines "a" and "b". From that dimension, mark the cutting line by measuring from the edge opposite from the gasket and saw off the excess.

Repeat this process for the flange pipe.

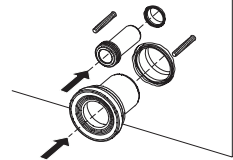


- 4) Bevel the cutting edges as shown.

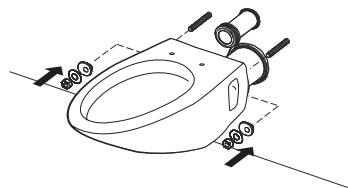
Screw the threaded mounting studs onto the tank and leave 2-1/8" (54mm) exposed.



- 5) Insert the inlet pipe and the flange pipe into the appropriate drain holes.



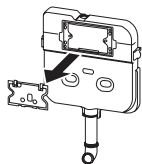
- 6) Install the toilet bowl by aligning it with the pipes and threaded mounting stud. Use the included mounting hardware to secure the bowl.



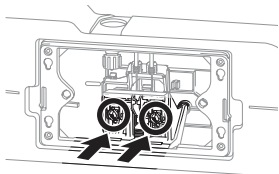
SERVICING PROCEDURES

Replacing the Flush Valve

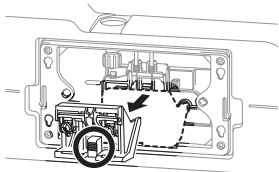
- 1) Remove the splash guard and pull it out.



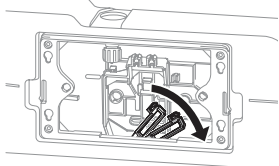
- 2) Close the shutoff valve in the tank, and then push the button on the actuator to flush the water.



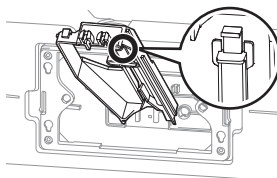
- 3) Push on the tab to remove the actuator.



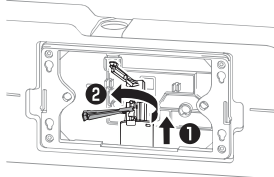
- 4) Tilt the two pull-up rods of the flush valve to the right.



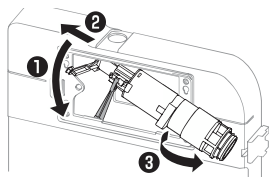
- 5) Remove the hold-down bracket by pulling on the tab indicated.



- 6) Pull the flush valve up, and rotate the rods.



- 7) Rotate the whole unit as you pull it out.



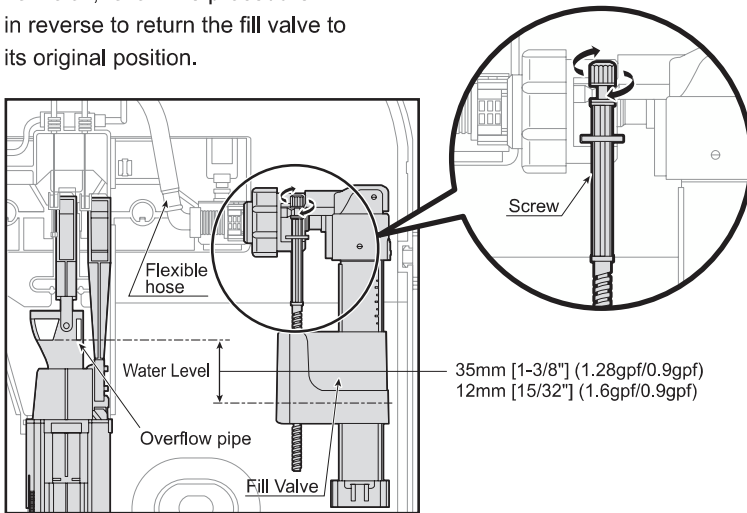
- 8) At the other end of the flush valve, the rubber piece can be removed for cleaning or to be replaced.

- 9) To install the parts back into the tank, do the reverse order.

SERVICING PROCEDURES

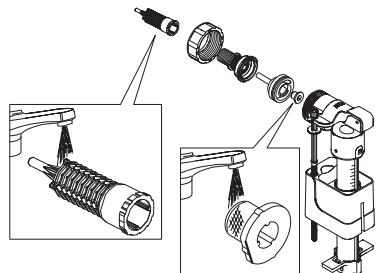
Adjusting the Water Level in the Tank

- 1) Follow the procedure for removing the flush valve.
- 2) Disconnect the flexible hose from the fill valve.
- 3) Pull the hook toward you, slide the main unit up, and then remove the fill valve main unit.
- 4) Turning the screw clockwise will raise the water level.
- 5) Turning the screw counterclockwise will lower the water level.
- 6) The water level must be 35mm [1-3/8"] for 1.28gpf/0.9gpf (4.8Lpf/3.4Lpf) and 12mm [15/32"] for 1.6gpf/0.9gpf (6.0Lpf/3.4Lpf) below the overflow tube.
- 7) To install, follow the procedure in reverse to return the fill valve to its original position.



Cleaning the Filter of the Fill Valve

- 1) Close the water shutoff valve, and then remove the fill valve as described above.
- 2) As shown in the figure, disassemble the fill valve, and then either clean the filter with water or use a brush to clean any dirt from it.
- 3) To install, follow the procedure in reverse to return the fill valve to its original position.



WARRANTY

ENGLISH

1. TOTO warrants its In Wall Tank System ("Product") to be free from defects in materials and workmanship during normal use when properly installed and serviced, for a period of one (1) year from date of purchase. This limited warranty is extended only to the ORIGINAL PURCHASER of the Product and is not transferable to any third party, including but not limited to any subsequent purchaser or owner of the Product. This warranty applies only to TOTO Product purchased and installed in North, Central and South America.
2. TOTO's obligations under this warranty are limited to repair, replacement or other appropriate adjustment, at TOTO's option, of the Product or parts found to be defective in normal use, provided that such Product was properly installed, used and serviced in accordance with instructions. TOTO reserves the right to make such inspections as may be necessary in order to determine the cause of the defect. TOTO will not charge for labor or parts in connection with warranty repairs or replacements. TOTO is not responsible for the cost of removal, return and/or reinstallation of the Product.
3. This warranty does not apply to the following items:
 - a. Damage or loss sustained in a natural calamity such as fire, earthquake, flood, thunder, electrical storm, etc.
 - b. Damage or loss resulting from any accident, unreasonable use, misuse, abuse, negligence, or improper care, cleaning, or maintenance of the Product.
 - c. Damage or loss resulting from sediments or foreign matter contained in a water system.
 - d. Damage or loss resulting from improper installation or from installation of the Product in a harsh and/or hazardous environment, or improper removal, repair or modification of the Product. (NOTE: Product model codes allow a maximum of 80 PSI. Check local codes or standards for requirements).
 - e. Damage or loss resulting from electrical surges or lightning strikes or other acts which are not the fault of TOTO or which the Product is not specified to tolerate.
 - f. Damage or loss resulting from normal and customary wear and tear, such as gloss reduction, scratching or fading over time due to use, cleaning practices or water or atmospheric conditions.
 - g. Tank flushing mechanisms of plastic or rubber moving parts.
 - h. Toilet seats of plastic, wood or metal.
4. In order for this limited warranty to be valid, proof of purchase is required. TOTO encourages warranty registration upon purchase to create a record of Product ownership at <http://www.totousa.com>. Product registration is completely voluntary and failure to register will not diminish your limited warranty rights.
5. THIS WARRANTY GIVES YOU SPECIFIC LEGAL RIGHTS. YOU MAY HAVE OTHER RIGHTS WHICH VARY FROM STATE TO STATE, PROVINCE TO PROVINCE OR COUNTRY TO COUNTRY.
6. To obtain warranty repair service under this warranty, you must take the Product or deliver it prepaid to a TOTO service facility together with proof of purchase (original sales receipt) and a letter stating the problem, or contact a TOTO distributor or products service contractor, or write directly to TOTO U.S.A., INC., 1155 Southern Road, Morrow, GA 30260 (678) 466-1300 or (888) 295 8134, if outside the U.S.A. If, because of the size of the Product or nature of the defect, the Product cannot be returned to TOTO, receipt by TOTO of written notice of the defect together with proof of purchase (original sales receipt) shall constitute delivery. In such case, TOTO may choose to repair the Product at the purchaser's location or pay to transport the Product to a service facility.

WARNING! TOTO shall not be responsible or liable for any failure of, or damage to, this Product caused by either chloramines in the treatment of public water supply or cleaners containing chlorine (calcium hypochlorite). NOTE: The use of a high concentrate chlorine or chlorine related products can seriously damage the fittings. This damage can cause leakage and serious property damage.

THIS WRITTEN WARRANTY IS THE ONLY WARRANTY MADE BY TOTO. REPAIR, REPLACEMENT OR OTHER APPROPRIATE ADJUSTMENT AS PROVIDED UNDER THIS WARRANTY SHALL BE THE EXCLUSIVE REMEDY AVAILABLE TO THE ORIGINAL PURCHASER. TOTO SHALL NOT BE RESPONSIBLE FOR LOSS OF THE PRODUCT OR FOR OTHER INCIDENTAL, SPECIAL OR CONSEQUENTIAL DAMAGES OR EXPENSES INCURRED BY THE ORIGINAL PURCHASER, OR FOR LABOR OR OTHER COSTS DUE TO INSTALLATION OR REMOVAL, OR COSTS OF REPAIRS BY OTHERS, OR FOR ANY OTHER EXPENSE NOT SPECIFICALLY STATED ABOVE. IN NO EVENT WILL TOTO'S RESPONSIBILITY EXCEED THE PURCHASE PRICE OF THE PRODUCT. EXCEPT TO THE EXTENT PROHIBITED BY APPLICABLE LAW, ANY IMPLIED WARRANTIES, INCLUDING THAT OF MERCHANTABILITY OR FITNESS FOR USE OR FOR A PARTICULAR PURPOSE, ARE EXPRESSLY DISCLAIMED. SOME STATES DO NOT ALLOW LIMITATIONS ON HOW LONG AN IMPLIED WARRANTY LASTS, OR THE EXCLUSION OR LIMITATION OF INCIDENTAL OR CONSEQUENTIAL DAMAGES, SO THE ABOVE LIMITATION AND EXCLUSION MAY NOT APPLY TO YOU.

ÍNDICE

¡Gracias Por Elegir TOTO!.....	12
Herramientas Necesarias.....	12
Partes Incluidas.....	12
Antes de la Instalación.....	13-14
Procedimiento de Instalación.....	15-18
Procedimiento de Servicio.....	19-20
Garantía.....	21

¡GRACIAS POR ELEGIR TOTO!

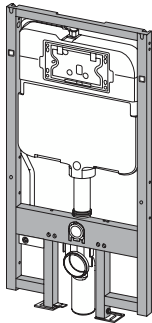
La misión de TOTO es dar al mundo estilos de vida más saludables, higiénicos y cómodos. Diseñamos cada producto guiándonos por el principio del equilibrio entre forma y función. Felicitaciones por su elección.

HERRAMIENTAS NECESARIAS

- Sierra de Arco
- Archivo Plano
- Taladro
- 1/8" (3mm) Taladro Broca
- Sierra Perforadora 3-1/2" (89mm)
- Llave de estrella o de boca fija de 7/16" (11 mm)
- Cinta Métrica
- Nivel del Carpintero

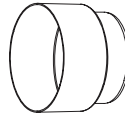
PARTES INCLUIDAS

Asegúrese que todas estas partes estén incluidas en su empaçado:



Tanque
Empotrado

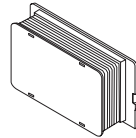
Partes en la Bolsa



Guardabarros de
tubería de salida



Guardabarros de
tubería de entrada



Placa de
Empuje

Partes en la Bolsa 1



Tubo de Salida



Soporte superior



Tornillo
(8)



Perno de montaje
roscado (2)



Soporte
Inferior

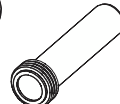


Anclaje
(2)

Partes en la Bolsa 2



Tubo con Brida



Tubo de
Entrada



Esponja
lubricada



Tuerca
(2)



Tapón
(2)



Arandela
(2)



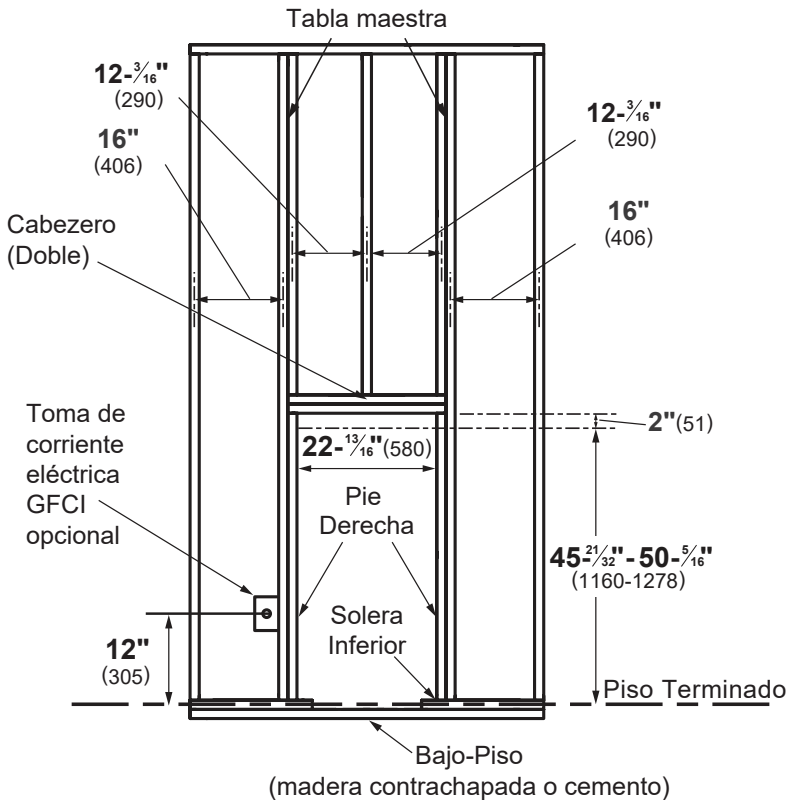
Brida de
perno prisionero (2)

ANTES DE LA INSTALACIÓN

- Lea estas instrucciones con cuidado antes de empezar a trabajar.
- Deje este manual de instalación con el cliente, contiene importante información de mantenimiento y garantía.
- Si es necesario, retire el inodoro existente.
- ¡CUIDADO! Asegúrese de sacar adecuadamente todo el aire del sistema de tubería antes de usar cualquier producto TOTO. El aire atrapado/comprimido puede dañar el sistema de descarga y la taza del inodoro.
- No afloje ni altere los accesorios de cobre o las conexiones de unión.
- El soporte de armazón debe ser capaz de soportar una carga de 880 lb sin dañar la pared. Cuando se utilizan pernos de estructura metálica, se deben agregar soportes de refuerzo rígidos y no flexibles para crear una rigidez de la base. Esto servirá para minimizar cualquier flexión observada en la pared terminada de estar sentado a estar de pie y evitar grietas en la pared.

Prepare el apoyo para el soporte como se muestra. Para cualquier requisito adicional, consulte con un contratista de construcción y/o códigos locales.

Añada pernos dobles de pared (principal y de gato) y un perno de cabezal doble según las dimensiones indicadas. Confirme que la abertura es cuadrada.



ESPAÑOL

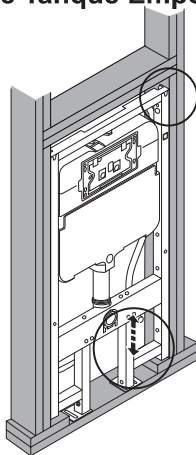
PROCEDIMIENTO DE INSTALACIÓN

Instale el Sistema de Tanque Empotrado

Aloje los pernos de las patas ajustables y ajuste el transportador a la altura deseada en relación con el piso terminado (consulte la Tabla 1 como referencia).

Coloque el soporte de modo que la parte frontal del marco del soporte quede al ras con la parte frontal del marco de la pared de soporte.

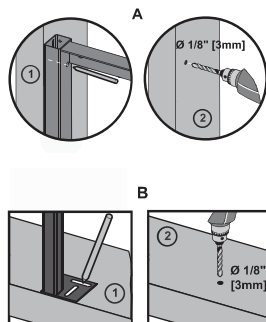
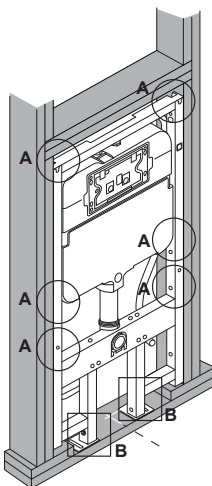
Apriete los dos (2) tornillos a las patas para asegurar la altura del ensamblado del tanque.



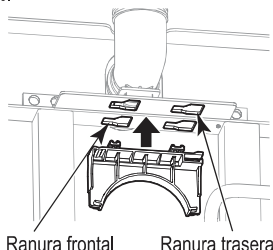
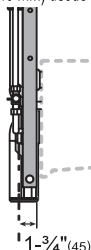
Marque la locación de taladrar agujeros para los tornillos para sujetar el ensamblado del tanque al marco de madera.

Hay seis (6) tornillos para los lados (3 en cada lado) y dos (2) para las patas. Asegurese que el ensamblado del tanque esté alineado con el marco de madera antes de marcar.

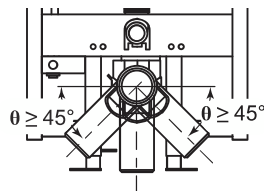
Remueva el ensamblado del tanque del marco de madera. Taladre seis (6) agujeros de 1/8" (3mm) en la pie derecha y dos (2) sobre el bajo-piso (madera contrachapada). Para cemento, taladre agujeros de 3/8" (10mm) para anclajes.



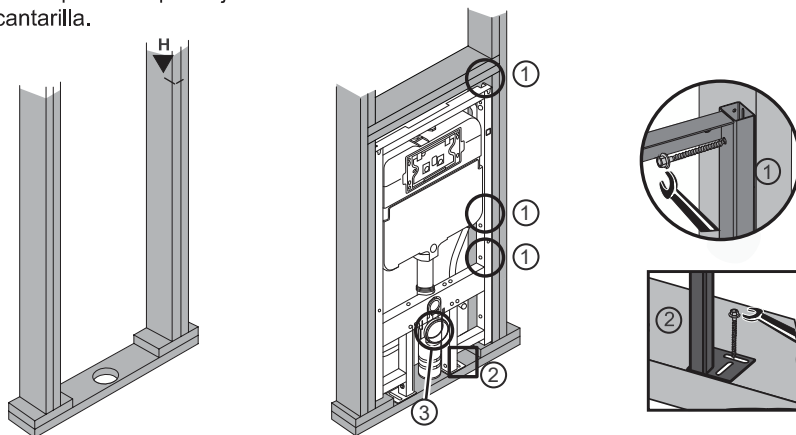
Para realizar la instalación de drenaje vertical, enganche el soporte superior a la ranura frontal de la estructura tal como se muestra. Realice un orificio de 3-3/4" (95 mm) en el subsuelo, a 1-3/4" (45 mm) desde la parte delantera de los pernos.



Para realizar la instalación de drenaje hacia la izquierda o hacia la derecha, enganche el soporte superior a la ranura trasera de la estructura tal como se muestra.

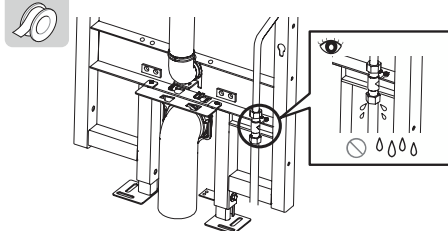


Use el soporte inferior para encajar el tubo de salida al ensamblado del tanque. Coloque el ensamblado del tanque en el marco de madera, asegurese que el tanque esté nivelado horizontalmente y la descarga esté hacia afuera. Use los tornillos provistos para fijar el Sistema. Instale el tubo de salida a la tubería de la alcantarilla.

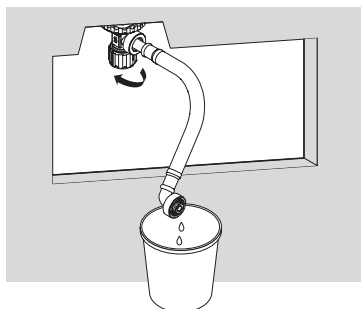


Accione la línea de suministro de agua y compruebe si hay fugas. No retirar el tapón del bloque de la entrada de la cisterna.

Sellar



Antes de conectar la manguera flexible a la válvula de llenado, abra la válvula de cierre y deje correr el agua durante un minuto o dos.



⚠ PRECAUCIÓN

Esto señala que una mala operación podría ocasionar una lesión o daño físico.

⚠
Obligatorio

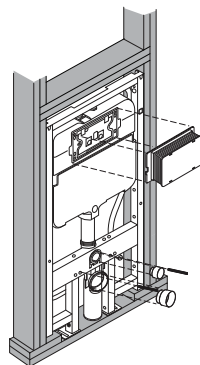
Es importante reconfirmar que no hay fugas de agua en todas las conexiones.

No afloje ni manipule los accesorios de cobre o las conexiones de unión. Una conexión errónea puede dar como resultado malos olores o fuga de agua.

El símbolo ⚠ señala algo que se debe llevar a cabo.

Después de eso, cierre la válvula en el tanque y la válvula de suministro principal.

Introduzca el guardabarros para la entrada y la salida, la placa de empuje rugosa para la placa de empuje y los dos (2) pernos de montaje roscados para el montaje de la taza en los orificios interiores.



Cortando la Ubicación de la Pared

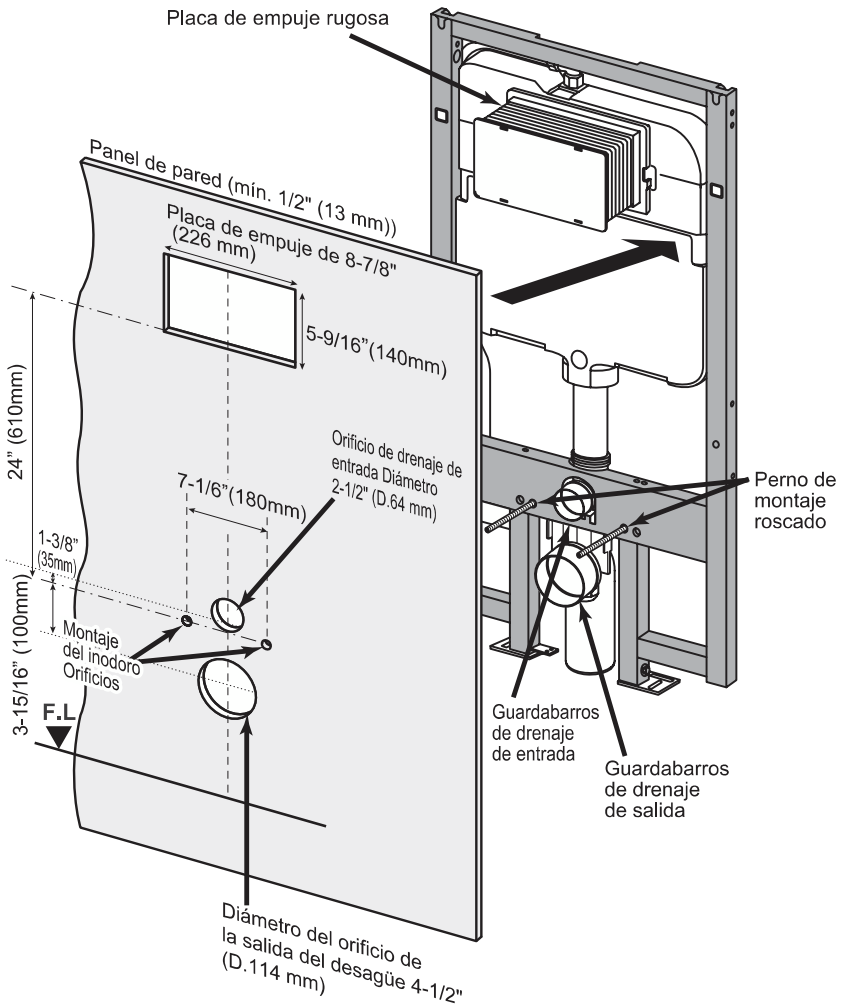
Las instrucciones recomiendan para la instalación de pared de yeso de 1/2" (13 mm).
Utilice las partes salientes en el ensamblado del tanque para ubicar los cortes en la pared.

Corte un orificio de 4-1/2" (114mm) de diámetro para el drenaje de salida.

Corte un orificio de 2-1/2" (64mm) de diámetro para la entrada de agua.

Practique dos agujeros de 3/4" (19 mm) de diámetro para el perno de montaje roscado.

Corte un orificio de 8-7/8" (226 mm) x 5-9/16" (140 mm) para la placa de empuje rugosa.



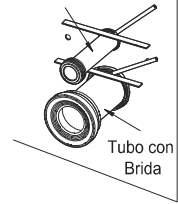
Instalación del Inodoro al Sistema de Tanque Empotrado

- 1) Aplique lubricación con la esponja suministrada en el drenaje de entrada y salida para facilitar la instalación. Introduzca la tubería de entrada en la salida del drenaje del depósito hasta que se detenga.

Coloque la orilla de una regla contra la pared terminada y arriba del tubo de entrada. Marque la ubicación como se muestra y retire el tubo de entrada.

Repita este proceso con el tubo con brida.

Tubo de Entrada

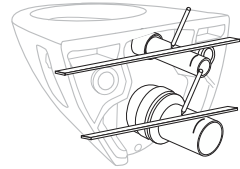


- 2) Inserte el extremo del tubo de entrada con la junta en la parte de atrás de la taza del inodoro.

Coloque la orilla de una regla contra todo el ancho de la parte posterior del inodoro y arriba del tubo del tubo de entrada.

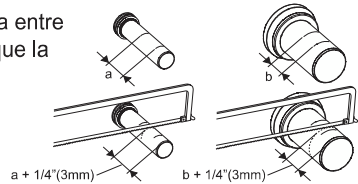
Marque la ubicación como se muestra y retire el tubo de entrada.

Repita este proceso con el tubo con brida.



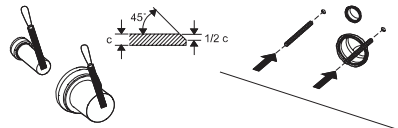
- 3) Como se muestra en la ilustración, mida la distancia entre las líneas "a" y "b". A partir de esa dimensión, marque la línea de corte midiendo desde el borde opuesto a la junta y corte el exceso.

Repita este proceso para la brida.

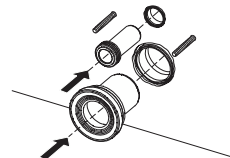


- 4) Haga un bisel a las orillas cortadas como se muestra.

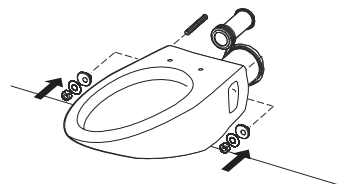
Atornille los pernos de montaje roscados en el tanque y deje 2-1/8" (54mm) expuestos.



- 5) Inserte el tubo de entrada y el tubo con brida a los orificios de drenaje adecuados.



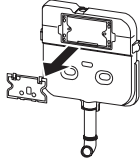
- 6) Instale la taza del inodoro alineándola con las tuberías y el perno de montaje roscado. Fije la taza con las herramientas de montaje que se incluyen.



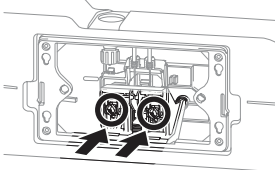
PROCEDIMIENTO DE SERVICIO

Sustitución de la válvula de descarga

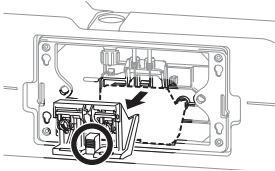
- 1) Remove the splash guard and pull it out.



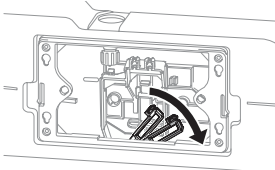
- 2) Close the shutoff valve in the tank, and then push the button on the actuator to flush the water.



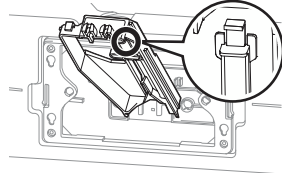
- 3) Push on the tab to remove the actuator.



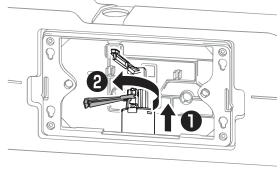
- 4) Incline las dos varillas de tracción de la válvula de descarga hacia la derecha.



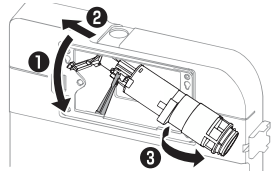
- 5) Remove the hold-down bracket by pulling on the tab indicated.



- 6) Tire de la válvula de descarga hacia arriba y gire las varillas.



- 7) Gire toda la unidad a la vez que la extrae.



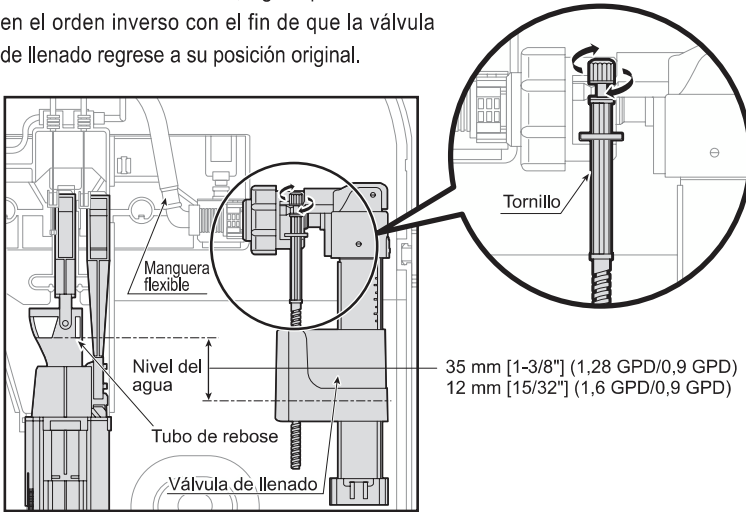
- 8) En el otro extremo de la válvula de descarga, la pieza de goma puede extraerse para su limpieza o sustitución.

- 9) Para volver a montar las piezas en el depósito, siga el orden inverso.

PROCEDIMIENTO DE SERVICIO

Ajustando el Nivel de Agua en el Tanque

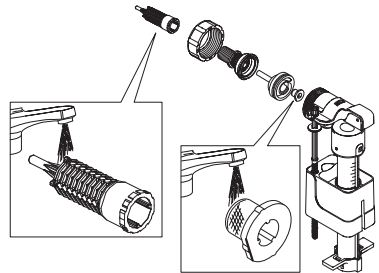
- 1) Siga el siguiente procedimiento para extraer la válvula de descarga.
- 2) Desconecte la manguera flexible de la válvula de llenado.
- 3) Tire del enganche hacia usted, deslice la unidad principal hacia arriba y, a continuación, extraiga la unidad principal de la válvula de llenado.
- 4) Al girar el tornillo hacia la derecha, se eleva el nivel de agua.
- 5) Al girar el tornillo hacia la izquierda, disminuye el nivel de agua.
- 6) El nivel del agua debe ser 35 mm [1-3/8"] para 1,28 GPD/0,9 GPD (4,8 Lpd/3,4 Lpd) y 12 mm [15/32"] para 1,6 GPD/0,9 GPD (6,0 Lpd/3,4 Lpd) por debajo del tubo de rebose.
- 7) Para realizar la instalación, siga el procedimiento en el orden inverso con el fin de que la válvula de llenado regrese a su posición original.



ESPAÑOL

Limpiando el Filtro de la Válvula de Llenado

- 1) Cierre la válvula de cierre del agua y, a continuación, retire la válvula de llenado tal como se describe anteriormente.
- 2) Tal como se muestra en la ilustración, desmonte la válvula de llenado y, a continuación, limpie el filtro con agua o utilice un cepillo para limpiar cualquier suciedad del mismo.
- 3) Para realizar la instalación, siga el procedimiento en el orden inverso con el fin de que la válvula de llenado regrese a su posición original.



GARANTÍA

1. TOTO® garantiza que su Sistema de Tanque Empotrado ("Producto") no tiene defectos en los materiales y mano de obra durante su uso normal, cuando es adecuadamente instalado y cuidado, por un período de un (1) año a partir de la fecha de compra. Esta garantía limitada se extiende únicamente al COMPRADOR ORIGINAL del Producto y no es transferible a ninguna tercera persona, incluyendo, pero sin limitarse a, cualquier comprador o dueño subsecuente del Producto. Esta garantía aplica únicamente al Producto TOTO adquirido e instalado en América del Norte, Central y del Sur.
2. Las obligaciones de TOTO bajo esta garantía se limitan a reparar, reemplazar u otro ajuste adecuado, a elección de TOTO, del Producto o partes que estén defectuosas con el uso normal, dado que dicho Producto haya sido adecuadamente instalado, utilizado y cuidado de acuerdo con las instrucciones. TOTO se reserva el derecho de hacer dichas inspecciones, ya que pueden ser necesarias con el fin de determinar la causa del defecto. TOTO no cobrará por el trabajo o partes relacionados con las reparaciones o cambios de la garantía. TOTO no es responsable por el costo de remoción, devolución y/o reinstalación del Producto.
3. Esta garantía no aplica a los siguientes puntos:
 - a. Daño o pérdida ocurridos en un desastre natural, tal como un incendio, terremoto, inundación, truenos, tormenta eléctrica, etc.
 - b. Daño o pérdida resultado de cualquier accidente, uso no razonable, mal uso, abuso, negligencia o cuidado, limpieza o mantenimiento inadecuado del Producto.
 - c. Daño o pérdida resultado de sedimentos o materia extraña contenidos en un sistema de aguas.
 - d. Daño o pérdida resultado de una instalación inadecuada o de la instalación del Producto en un ambiente hostil y/o peligroso, o la remoción, reparación o modificación inadecuada del Producto. (NOTA: Los códigos del modelo del producto permiten un máximo de 80 PSI. Revise los códigos locales o estándares para los requisitos).
 - e. Daño o pérdida resultado de sobrecarga eléctrica o rayos u otros actos que no sean culpa de TOTO o que el Producto no esté especificado para tolerar.
 - f. Daño o pérdida resultado del desgaste normal y acostumbrado, tal como reducción del brillo, rayado u opacamiento en el tiempo debido al uso, prácticas de limpieza o agua o condiciones atmosféricas.
 - g. Mecanismos de descarga del tanque de plástico o partes móviles de hule.
 - h. Asientos de inodoro de plástico, madera o metal.
4. Con el fin de que esta garantía limitada sea válida, se requiere una prueba de compra. TOTO le aconseja el registro de la garantía al momento de la compra para crear un registro de la propiedad del Producto en <http://totousa.com>. El registro del Producto es completamente voluntario y no hacerlo no disminuirá los derechos de su garantía limitada.
5. ESTA GARANTÍA LE OTORGA DERECHOS LEGALES ESPECÍFICOS. USTED PUEDE TENER OTROS DERECHOS QUE PUEDEN VARIAR ENTRE ESTADOS, PROVINCIAS O PAÍSES.
6. Para obtener un servicio de reparación por garantía bajo esta garantía, debe llevar el Producto o enviarlo prepagado a las instalaciones de servicio TOTO junto con su prueba de compra (recibo de venta original) y una carta declarando el problema, o póngase en contacto con un distribuidor de TOTO o contratista de servicio de productos, o escriba directamente a TOTO U.S.A., INC., 1155 Southern Road, Morrow, GA 30260 (888) 295 8134 ó (678) 466-1300, si está fuera de los Estados Unidos. Si, debido al tamaño del Producto o naturaleza del defecto, el Producto no puede devolverse a TOTO, la recepción de TOTO del aviso por escrito del defecto junto con la prueba de compra (recibo de venta original) constituirá el envío. En tal caso, TOTO puede elegir entre reparar el Producto en la ubicación del comprador o pagar el transporte del Producto a unas instalaciones de servicio.

¡ADVERTENCIA! TOTO no será responsable de cualquier falla de, o daño a, este Producto causado por cloraminas en el tratamiento del suministro de agua público o limpiadores que contengan cloro (hipoclorito de calcio). NOTA: El uso de un cloro de concentración alta o productos relacionados con cloro puede dañar severamente los accesorios. Este daño puede causar fugas y un grave daño a la propiedad.

ESTA GARANTÍA ESCRITA ES LA ÚNICA GARANTÍA HECHA POR TOTO. LA REPARACIÓN, CAMBIO U OTRO AJUSTE ADECUADO, SEGÚN LO ESTIPULADO EN ESTA GARANTÍA, SERÁ EL ÚNICO REMEDIO DISPONIBLE PARA EL COMPRADOR ORIGINAL. TOTO NO SERÁ RESPONSABLE DE LA PÉRDIDA DEL PRODUCTO O DE OTROS DAÑOS INCIDENTALES, ESPECIALES O CONSECUENCIALES O GASTOS INCURRIDOS POR EL COMPRADOR ORIGINAL, O PARA EL TRABAJO U OTROS COSTOS DEBIDO A LA INSTALACIÓN O REMOCIÓN, O COSTOS DE REPARACIONES HECHAS POR TERCEROS, O POR CUALQUIER OTRO GASTO NO DECLARADO ESPECÍFICAMENTE ARRIBA. EN NINGÚN CASO, LA RESPONSABILIDAD DE TOTO EXCEDERÁ EL PRECIO DE COMPRA DEL PRODUCTO. EXCEPTO AL GRADO PROHIBIDO POR LA LEY APLICABLE, CUALQUIER GARANTÍA IMPLÍCITA, INCLUYENDO LA DE COMERCIABILIDAD O ADECUACIÓN PARA SU USO O PARA UN PROPÓSITO EN PARTICULAR, SE DECLARARÁ EXPRESAMENTE. ALGUNOS ESTADOS NO PERMITEN LAS LIMITACIONES EN LA DURACIÓN DE UNA GARANTÍA IMPLÍCITA, O LA EXCLUSIÓN O LIMITACIÓN DE LOS DAÑOS INCIDENTALES O CONSECUENCIALES, POR LO QUE LA LIMITACIÓN O INCLUSIÓN ANTERIORES PUEDE NO APLICAR PARA USTED.

TABLE DES MATIÈRES

Merci d'Avoir Choisi TOTO!.....	22
Outils Communs Nécessaires.....	22
Pièces Incluses.....	22
Avant de Commencer.....	23-24
Procédure d'Installation.....	25-28
Procédure d'Entretien.....	29-30
Garantie.....	31

MERCİ D'AVOİR CHOİSİ TOTO!

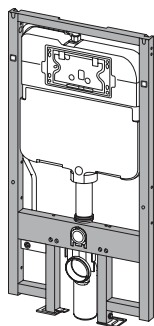
La mission de TOTO est d'offrir au monde entier un style de vie sain, hygiénique et plus confortable. Comme principe de base, nous concevons chaque produit avec un équilibre entre la forme et la fonction. félicitations pour votre choix.

OUTİLS COMMUNS NÉCESSAIRES

- | | |
|---|--|
| <ul style="list-style-type: none"> • Scie à Métaux • Lime Plate • Perceuse • 1/8" (3mm) Foret | <ul style="list-style-type: none"> • Scie à 3-1/2" (89mm) • Clé à cliquet ou clé plate 7/16" (11 mm) • Mètre à Ruban • Niveau du Charpentier |
|---|--|

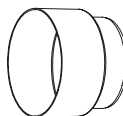
PIÈCES INCLUSES

Vérifiez que toutes les pièces sont incluses dans votre paquet:



Réservoir Mural

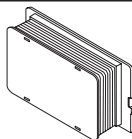
Pièces dans le Sac



Garde-boue de la conduite d'évacuation



Garde-boue de la conduite d'arrivée

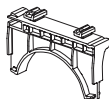


Dimension Brute de la Plaque de Poussée

Pièces dans le Sac 1



Tuyau de Sortie



Cadre supérieur



Tirefond (8)



Goujon de montage fileté (2)



Support Inférieur



Boulon d'ancrage (2)

Pièces dans le Sac 2



Tuyau à Bride



Tuyau d'Entrée



Éponge lubrifiée



Écrou (2)



Capuchon (2)



Rondelle (2)



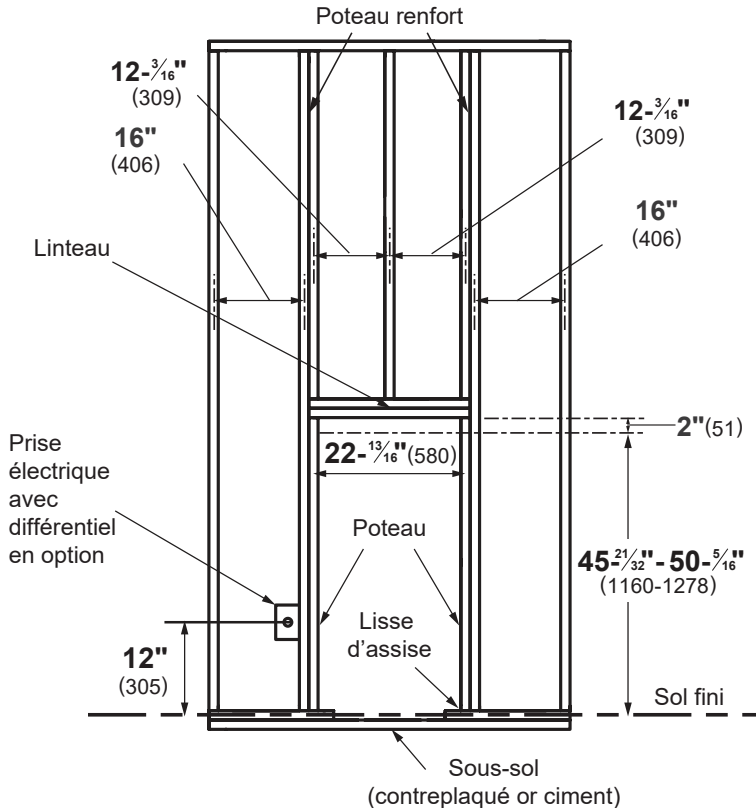
Bride de boulon fileté (2)

AVANT DE COMMENCER

- Lisez complètement ces instructions avant de commencer le travail.
- Veuillez laisser ces instructions pour le client. Elles contiennent des informations importantes sur l'entretien et la garantie.
- Si nécessaire, enlevez la toilette déjà présente.
- ATTENTION! Assurez-vous d'évacuer tout air présent dans le système de tuyauterie avant d'utiliser les produits TOTO. Tout air bloqué ou comprimé peut endommager le système d'évacuation et la cuvette de la toilette.
- Ne pas desserrer ni altérer les raccords en cuivre ou les raccords de jonction.
- Le support de charpente doit pouvoir supporter une charge de 880 lb sans endommager le mur. Lorsque des montants métalliques sont utilisés, des supports de contreventement rigides et non flexibles doivent être ajoutés pour créer une rigidité de la base. Cela servira à minimiser toute flexion observée dans le mur fini de la position assise à la position debout et à éviter les fissures dans le mur.

Préparer le support pour l'élément porteur comme illustré. Prendre contact avec une société de construction et/ou consulter les codes en bâtiment applicables dans votre région pour tout besoin supplémentaire.

Ajouter des poteaux muraux doubles et un poteau double avec les dimensions illustrées. Vérifier que l'ouverture est carrée.



AVANT DE COMMENCER

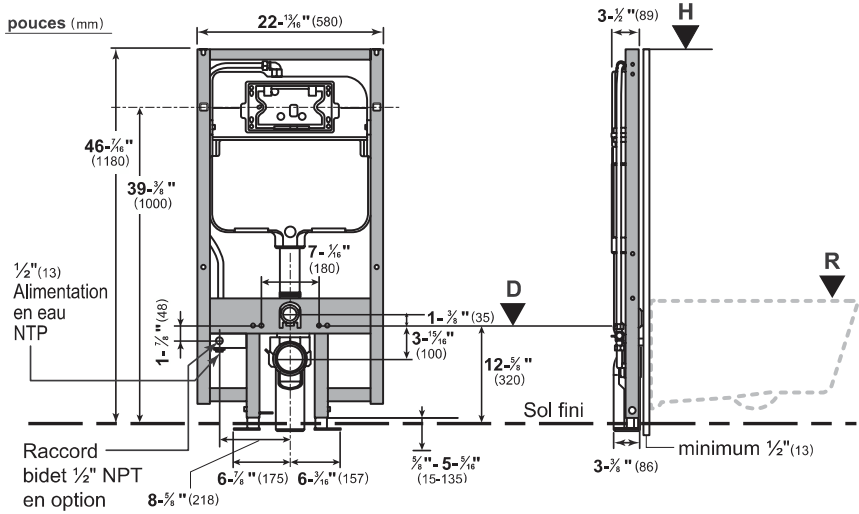


Tableau 1: Dimensions mesurées à partir du sol fini

pouces

Hauteur du rebord des toilettes (R)	Hauteur du système (H)	Hauteur du goujon de montage fileté (D)
15-11/32"	45-21/32"	11-13/16"
16"	46-5/16"	12-15/32"
17"	47-5/16"	13-15/32"
18"	48-5/16"	14-15/32"
19"	49-5/16"	15-15/32"
20"	50-5/16"	16-15/32"

mm

Hauteur du rebord des toilettes (R)	Hauteur du système (H)	Hauteur du goujon de montage fileté (D)
390	1160	300
406	1176	316
432	1202	342
457	1227	367
483	1253	393
508	1278	418

FRANÇAIS

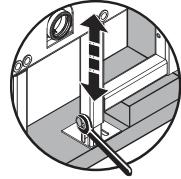
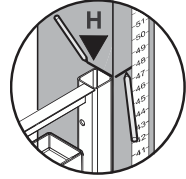
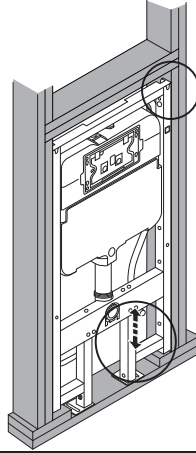
PROCEDURE D'INSTALLATION

l'installation du Système de Réservoir Mural

Desserrez les boulons sur les pieds réglables et placez le support à la hauteur souhaitée en vous référant au sol fini (voir tableau 1 pour le guide).

Placez le support de manière à ce que l'avant du cadre du support soit au même niveau que l'avant du cadre mural de support.

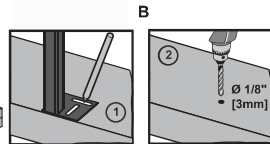
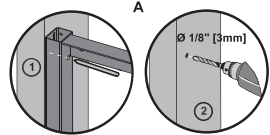
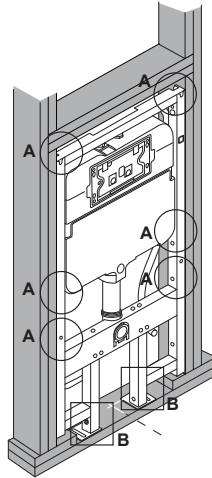
Serrez les deux boulons sur les jambes pour sécuriser la hauteur de la porte.



Marquez l'emplacement pour percer des trous pilotes pour les vis pour fixer le support au cadre en bois.

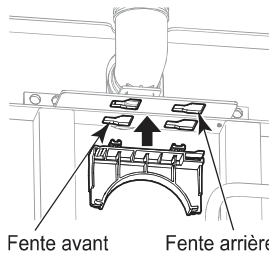
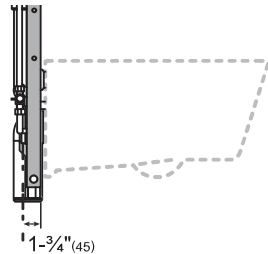
Il y a six (6) vis pour le côté (3 de chaque côté) et deux sur les pieds. Assurez-vous que le réservoir est au ras du cadre en bois avant de placer les marquages.

Retirez le support du cadre en bois, percez les six (6) 1/8" (3mm) trous sur le poteau mural (régleur/Jack) et deux (2) sur le sous-sol (contreplaqué); pour le ciment, percez 3 / 8" (10mm) trous pour les ancrés .

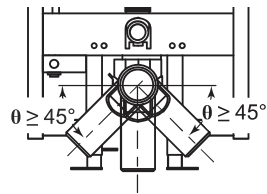


FRANÇAIS

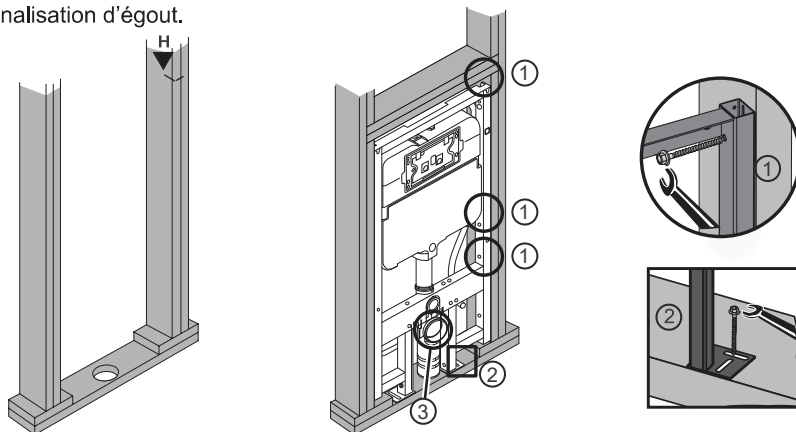
Pour une installation verticale de l'écoulement, clipser le cadre supérieur dans la fente avant du cadre comme illustré. Percez un trou de 3-3/4" (95 mm) sur le sous-sol à 1-3/4" (45 mm) de l'avant des poteaux.



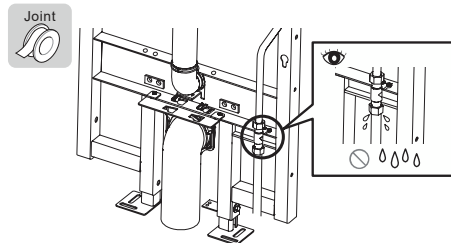
Pour une installation à gauche ou à droite de l'écoulement, clipser le cadre supérieur dans la fente arrière du cadre comme illustré.



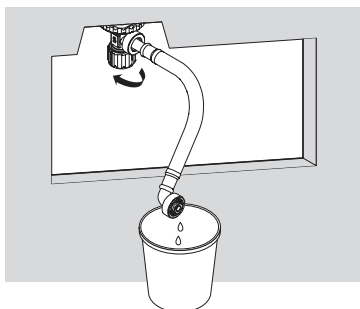
Utilisez le support inférieur pour verrouiller le tuyau de sortie du système. Placez le support dans le cadre en bois, assurez-vous que le système est horizontalement nivelé et chasse d'eau est placé dans la face avant du cadre. Utiliser les vis fournies pour sécuriser le système. Installer le tuyau de sortie de la canalisation d'égout.



Sonder la conduite d'alimentation en eau et vérifier l'absence de fuites. Ne pas retirer le capuchon de l'arrivée d'eau du bidet.



Avant de connecter le tuyau flexible à la vanne de remplissage, ouvrir la vanne d'eau pour laisser l'eau s'écouler une ou deux minutes.



⚠ MISE EN GARDE


Ce symbole indique que toute utilisation incorrecte peut entraîner des blessures ou des dommages matériels.



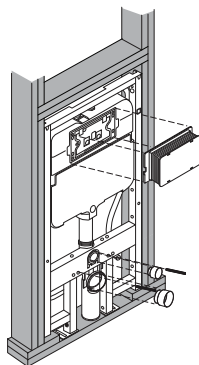
Requis

Il est important de confirmer qu'il n'y a pas de fuite d'eau à toutes les connexions.

Ne pas desserrer ni altérer les raccords en cuivre ou les raccords de jonction. Un mauvais raccordement peut entraîner le dégagement d'odeur nauséabondes ou une fuite d'eau.

Le symbole  indique que quelque chose doit être fait.

Après cela, fermez la vanne dans le réservoir et la vanne d'alimentation principale.



Insérer le garde-boue pour l'arrivée et l'évacuation, la découpe de la plaque de poussée pour la plaque de poussée et les deux (2) goujons de montage filetés pour la cuvette de montage sur les trous intérieurs.

Découpez l'Emplacement Murale

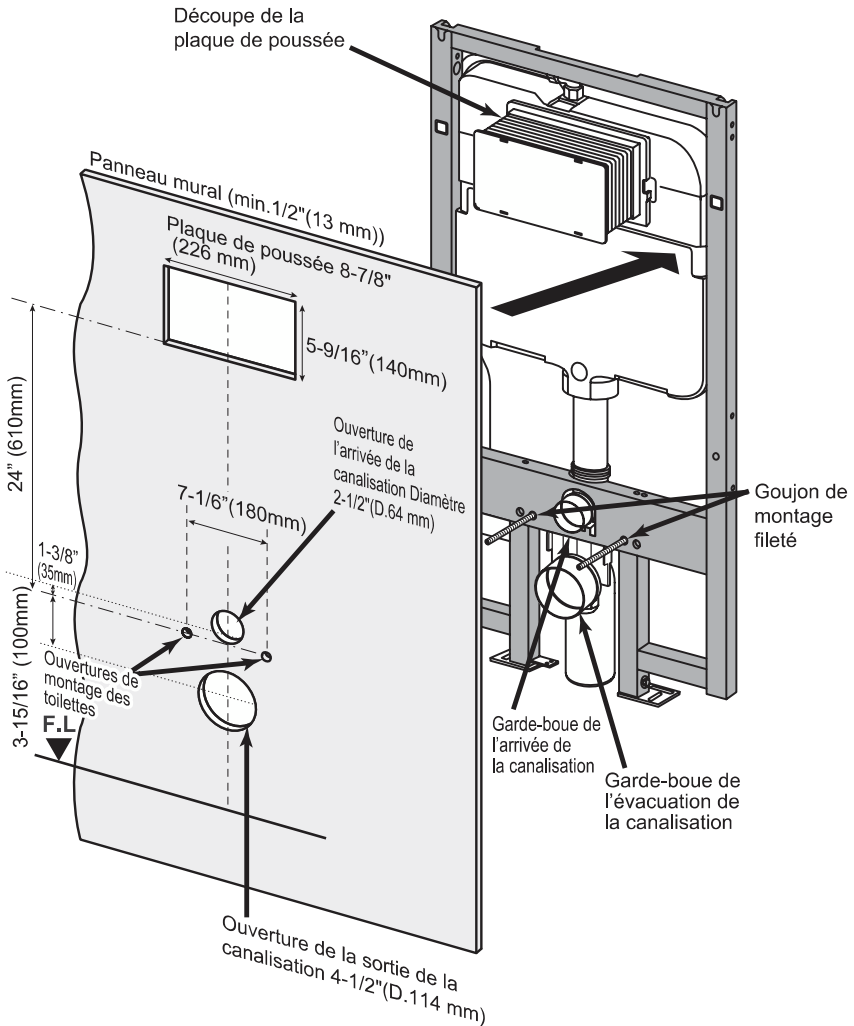
Les instructions sont recommandées pour les installations dans les cloisons sèches de 1/2" (13mm). Utilisez les parties saillantes sur le support pour localiser les coupures sur le mur.

Coupez un trou d'un diamètre de 4-1/2" (114mm) pour le drain de sortie.

Coupez un trou d'un diamètre de 2-1/2" (64mm) pour l'entrée d'eau.

Découper deux trous de diamètre 3/4" (19 mm) pour le goujon de montage fileté.

Découper une ouverture de 8-7/8" (226 mm) x 5-9/16" (140 mm) pour la plaque de poussée.

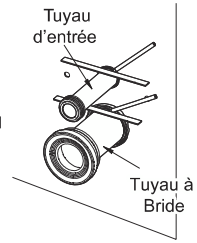


Installez la Toilette sur la Porteuse

- 1) Appliquer du lubrifiant à l'aide de l'éponge fournie dans l'arrivée et l'évacuation de la canalisation pour faciliter l'installation. Insérer la conduite d'arrivée dans l'évacuation de la canalisation du réservoir jusqu'à la butée.

Placez le bord d'une règle contre le mur fini et sur le dessus du tuyau d'admission. Marquez l'emplacement comme indiqué et retirez le tuyau d'admission.

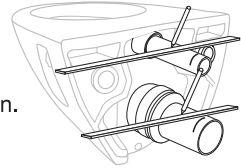
Répétez la procédure avec le tuyau à bride.



- 2) Insérez l'extrémité du tuyau d'entrée avec le joint à l'arrière de la cuvette des toilettes.

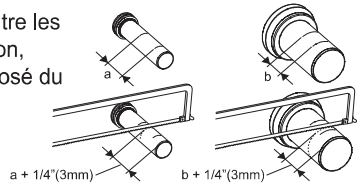
Placez le bord d'une règle sur toute la largeur de l'arrière de la toilette et au-dessus du tuyau d'admission. Marquez l'emplacement comme indiqué et retirez le tuyau d'admission.

Répétez la procédure avec le tuyau à bride.



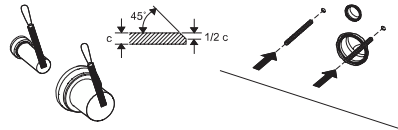
- 3) Comme illustré sur la figure, mesurer la distance entre les deux lignes « a » et « b ». À partir de cette dimension, marquer la ligne de coupe en mesurant le bord opposé du joint et découper le surplus.

Répéter la procédure pour le tuyau de la bride.

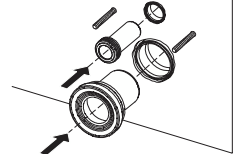


- 4) Biseautez les arêtes de coupe, tel qu'illustré.

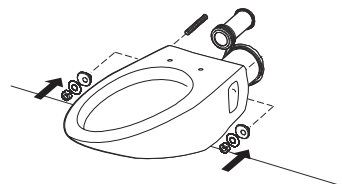
Vissez les goujons de montage filetés sur le réservoir et laissez exposer 2-1 / 8 \"(54mm).



- 5) Insérez le tuyau d'entrée et le tuyau à bride dans les drains appropriés.



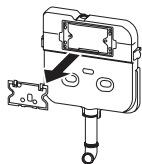
- 6) Installer la cuvette des toilettes en l'alignant avec les tuyaux et le goujon de montage fileté. Utiliser les accessoires de montage fournis pour fixer la cuvette.



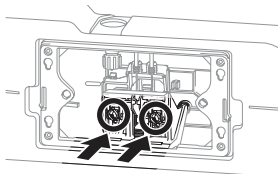
PROCÉDURE D'ENTRETIEN

Remplacer la vanne de la chasse d'eau

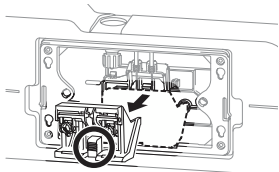
- 1) Remove the splash guard and pull it out.



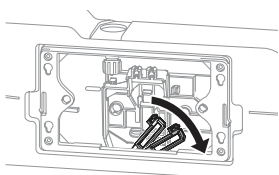
- 2) Close the shutoff valve in the tank, and then push the button on the actuator to flush the water.



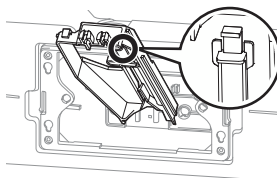
- 3) Push on the tab to remove the actuator.



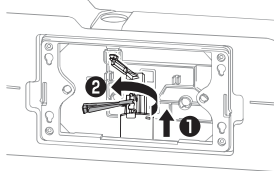
- 4) Incliner les deux tiges d'arrêt du robinet de la chasse d'eau vers la droite.



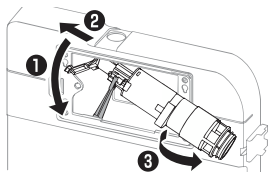
- 5) Remove the hold-down bracket by pulling on the tab indicated.



- 6) Soulever le robinet de la chasse d'eau et tourner les tiges.



- 7) Tourner l'ensemble de l'unité en la sortant.



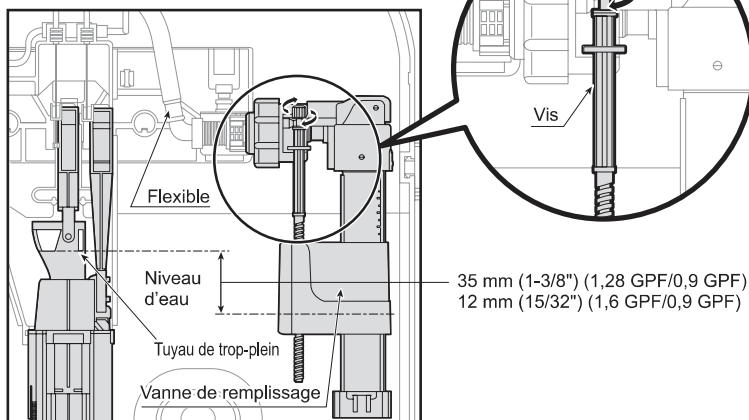
- 8) À l'autre extrémité du robinet de la chasse d'eau, la pièce en caoutchouc peut être retirée pour être nettoyée ou remplacée.

- 9) Procéder dans l'ordre inverse pour réinstaller les pièces sur le réservoir.

PROCÉDURE D 'ENTRETIEN

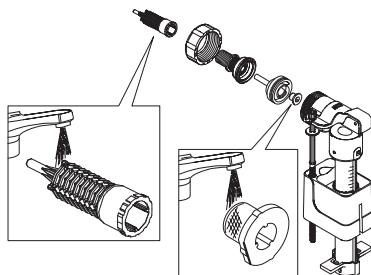
Ajustez le Niveau d'Eau dans le Réservoir

- 1) Suivre la procédure pour retirer le robinet de la chasse d'eau.
- 2) Déconnecter le flexible de la vanne de remplissage.
- 3) Tirer le crochet vers soi, faire glisser l'unité principale vers le haut, puis retirer l'unité principale de la vanne de remplissage
- 4) Tourner la vis dans le sens horaire permet d'augmenter le niveau d'eau.
- 5) Tourner la vis dans le sens antihoraire permet de diminuer le niveau d'eau.
- 6) Pour 1,28 GPF/0,9 GPF (4,8 Lpf/3,4 Lpf), le niveau d'eau doit être de 35 mm (1-3/8") et pour 1,6 GPF/0,9 GPF (6,0 Lpf/3,4 Lpf), il doit être de 12 mm (15/32") en-dessous du tuyau de trop-plein.
- 7) Pour l'installer, suivre la procédure inverse pour remettre la vanne de remplissage dans sa position originale.



Nettoyez le Filtre de la Valve de Remplissage

- 1) Fermer la vanne d'eau, puis retirer la vanne de remplissage comme décrit ci-dessus.
- 2) Comme illustré dans la figure, démonter la vanne de remplissage, puis nettoyer le filtre avec de l'eau ou utiliser une brosse pour nettoyer la poussière présente.
- 3) Pour l'installer, suivre la procédure dans le sens inverse pour remettre la vanne de remplissage dans sa position originale.



GARANTIE

1. TOTO® garantit que son Système de Réservoir Mural ("Produit") est libre de tout défaut de matériel et de fabrication lors de l'usage normal, quand le produit est installé et entretenu correctement, pour (1) an à partir de la date d'achat. Cette garantie limitée s'étend seulement à l'ACHETEUR ORIGINAL du produit et n'est pas transférable à une autre entité, inclus et non limitée à tout acheteur ou propriétaire du produit. Cette garantie s'applique seulement aux produits TOTO achetés et installés en Amérique du Nord, Centrale et du Sud.
2. Les obligations de TOTO sous cette garantie sont limitées à la réparation, au remplacement et autre ajustement jugés approprié, au choix de TOTO, du Produit ou des pièces jugées défectives lors de l'usage normal, pourvu qu'un tel Produit ait été installé correctement, utilisé et entretenu selon les instructions. TOTO se réserve le droit de faire les inspections qui peuvent être nécessaires afin de déterminer la cause du défaut. TOTO ne facturera pas de main-d'œuvre ou les pièces relatives aux réparations ou aux remplacements sous garantie, TOTO n'est pas responsable pour le coût du retrait, les frais de retour et/ou la réinstallation du produit.
3. Cette garantie ne s'applique pas aux éléments suivants:
 - a. Dommages ou pertes causés par une calamité naturelle telle qu'un incendie, un tremblement de terre, une inondation, la foudre, un orage, etc.
 - b. Dommages ou pertes résultant d'un accident, un usage abusif, l'abus, de la négligence ou de mauvais soins, de nettoyage ou de maintenance du produit.
 - c. Dommages ou pertes résultant de sédiments ou de matières étrangères contenues dans un système d'eau.
 - d. Dommages ou pertes résultant d'une mauvaise installation ou de l'installation du Produit dans un environnement rude et / ou un environnement dangereux, ou une mauvaise désinstallation, réparation ou modification du produit. NOTE: Les codes des modèles de ces produits permettent un maximum de 80 PSI.
 - e. Dommages ou pertes résultant de surtensions ou la foudre ou d'autres actes qui ne sont pas la faute de TOTO ou que le produit n'est pas spécifié à tolérer.
 - f. Dommages ou pertes résultant de l'usure normal et habituel, telles que la réduction du lustre, le grattage ou la décoloration au fil du temps due à l'utilisation, les pratiques de nettoyage ou l'eau ou les conditions atmosphériques.
 - g. Mécanismes de chasse d'eau du réservoir en plastique ou des pièces en caoutchouc qui bougent.
 - h. Les sièges des toilettes en plastique, en bois ou en métal.
4. Pour que cette garantie limitée soit valide, une preuve d'achat est nécessaire. TOTO vous encourage à enregistrer la garantie à l'achat pour créer un enregistrement de la propriété du produit sur le site <http://www.totousa.com>. L'enregistrement du produit est complètement volontaire et le défaut d'enregistrement ne diminuera en rien vos droits de garantie limitée.
5. CETTE GARANTIE VOUS DONNE DES DROITS LÉGAUX SPÉCIFIQUES. VOS DROITS POURRAIENT VARIER D'UN ÉTAT A UN AUTRE, D'UNE PROVINCE A UNE AUTRE OU D'UN PAYS A UN AUTRE.
6. Pour obtenir une réparation sous garantie, vous devez prendre le produit ou expédier, port payé à un centre de service TOTO avec preuve d'achat (ticket de caisse original) et une lettre expliquant le problème, ou contactez un distributeur de TOTO ou un entrepreneur de services produits, ou écrivez directement à TOTO USA, INC, 1155, chemin du Sud, Morrow, GA 30260 (678) 466-1300 ou (888) 295 8134, si en dehors des USA. Si en raison de la taille du produit ou la nature du défaut, le produit ne peut être renvoyé à TOTO, la réception par TOTO de l'avis écrit du défaut avec preuve d'achat (ticket de caisse original) constitue livraison. Dans un tel cas, TOTO peut choisir de réparer le produit chez l'acheteur ou de payer le transport du produit à un centre de service.

ATTENTION! TOTO ne peut être tenu responsable de toute défaillance, ou de dommages, causés à ce produit par des chloramines dans le traitement de l'approvisionnement public en eau ou de nettoyants contenant du chlore (hypochlorite de calcium). REMARQUE: L'utilisation de chlore à forte concentration ou de produits dérivés du chlore peut sérieusement endommager les raccords. Ces dommages peuvent entraîner des fuites et des dommages matériels graves.

CETTE GARANTIE ÉCRITE CONSTITUE LA SEULE GARANTIE DE TOTO. TOUTE RÉPARATION, REMPLACEMENT OU AUTRE AJUSTEMENT EN CONSÉQUENT COUVERTS PAR CETTE GARANTIE SERA LE SEUL RECOURS DISPONIBLE À L'ACHETEUR ORIGINAL. TOTO NE SERA PAS RESPONSABLE DE LA PERTE DU PRODUIT OU POUR D'AUTRES DOMMAGES ACCESSOIRES, SPÉCIAUX OU INDIRECTES, OU DE DÉPENSES ENGAGÉES PAR L'ACHETEUR INITIAL, OU POUR LA MAIN D'ŒUVRE OU D'AUTRES COÛTS DUS À L'INSTALLATION OU LE RETRAIT, OU AU FRAIS DE RÉPARATION PAR D'AUTRES, OU POUR TOUTES AUTRES CHARGES NON SPÉCIALEMENT INDIQUÉES CI-DESSUS. EN AUCUN CAS LA RESPONSABILITÉ DE TOTO DÉPASSERA-T-ELLE LE PRIX D'ACHAT DU PRODUIT. SAUF DANS LES LIMITES AUTORISÉES PAR LA LOI APPLICABLE, TOUTE GARANTIE IMPLICITE Y COMPRIS LES GARANTIES DE QUALITÉ MARCHANDE ET/OU L'UTILISATION À DES FINS EN PARTICULIER SONT EXPRESSEMENT EXCLUES. CERTAINS ÉTATS N'AUTORISENT PAS LES LIMITATIONS SUR LA DURÉE D'UNE GARANTIE IMPLICITE, OU L'EXCLUSION OU LA LIMITATION DES DOMMAGES INCIDENTS OU INDIRECTS, DONC LA LIMITATION ET L'EXCLUSION CI-DESSUS POURRAIT NE PAS S'APPLIQUER À VOUS.

ÍNDICE

Obrigado por escolher a TOTO!.....	32
Ferramentas comuns necessárias.....	32
Peças incluídas.....	32
Antes da instalação.....	33-34
Procedimento de instalação.....	35-38
Procedimentos de manutenção/reparação.....	39-40
Garantia.....	41

OBRIGADO POR ESCOLHER A TOTO!

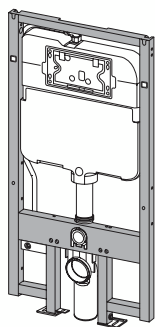
O objetivo da TOTO é garantir estilos de vida saudáveis, higiênicos e mais confortáveis. Cada produto é criado segundo o princípio orientado do equilíbrio entre a forma e função. Parabéns pela sua escolha.

FERRAMENTAS COMUNS NECESSÁRIAS

- Serra
- Lima plana
- Broca
- Broca de 1/8" (3 mm)
- Serra copo 3-1/2" (89 mm)
- Chave de boca ou chave de encaixe de 7/16" (11 mm)
- Fita métrica
- Nivelador

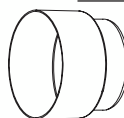
PEÇAS INCLUÍDAS

Certifique-se de que tem a embalagem contém todas estas peças:



Depósito de parede
(recetáculo)

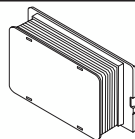
Peças no saco



Guarda-lama do
tubo de saída



Guarda-lama do
tubo de entrada



Peça de posicionamento
da placa de pressão

Peças no saco 1



Tubo de saída



Suporte superior



Parafuso de
cabeça
quadrada (8)



Cavilha de fixação
roscada (2)



Suporte
inferior



Âncora
(2)

Peças no saco 2



Tubo do flange



Tubo de
admissão



Esponha
lubrificada



Porca
(2)



Limite
(2)



Anilha
(2)



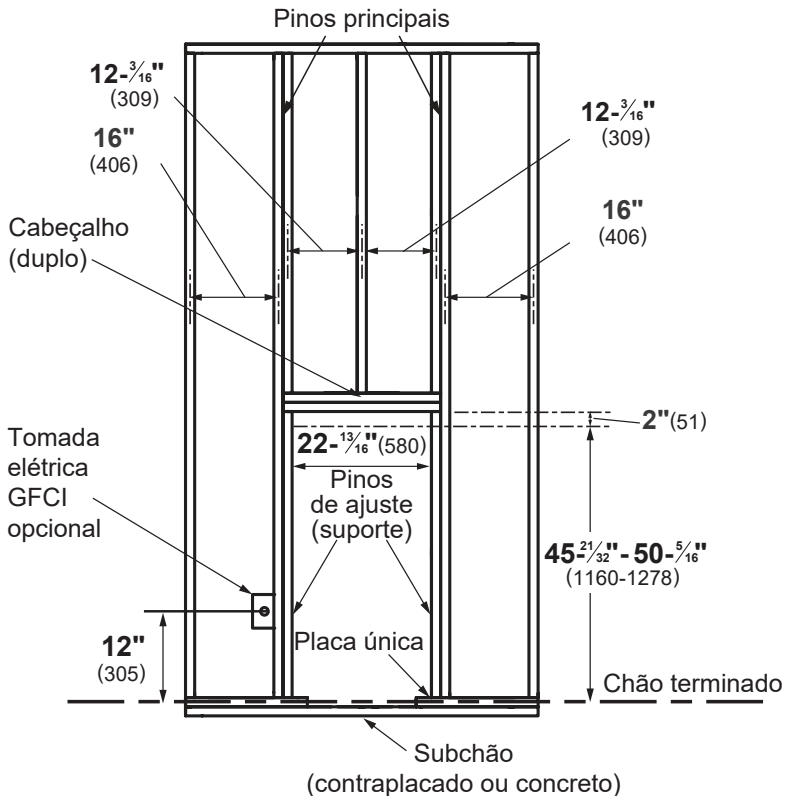
Flange de
haste roscada
(2)

ANTES DA INSTALAÇÃO

- Leia estas instruções cuidadosamente antes de iniciar os trabalhos.
- Entregue estas instruções ao cliente. Contêm informações importantes sobre manutenção e a garantia.
- Se necessário, remova a sanita instalada.
- CUIDADO! Não se esqueça de purgar completamente todo o ar das tubagens antes de utilizar qualquer produto TOTO. O ar preso/comprimido pode danificar o sistema de descarga e o bloco sanitário.
- Não afrouxe ou adultere os acessórios de cobre ou as conexões de união.
- O suporte da estrutura deve ser capaz de suportar uma carga de 880 lb (362 kg) sem danificar a parede. Quando os parafusos da estrutura de metal são usados, os suportes de reforço rígidos e não flexíveis devem ser adicionados para criar rigidez da base. Isso servirá para minimizar qualquer flexão observada na parede acabada para ficar em pé e evitar trincas na parede.

Prepare o suporte do recetáculo como ilustrado. Consulte um empreiteiro e/ou os códigos locais para saber se existem requisitos adicionais.

Instale cavilhas duplas de parede (king & jack) e um perno de cabeça dupla segundo as dimensões indicadas. Confirme se a abertura é quadrada.



ANTES DA INSTALAÇÃO

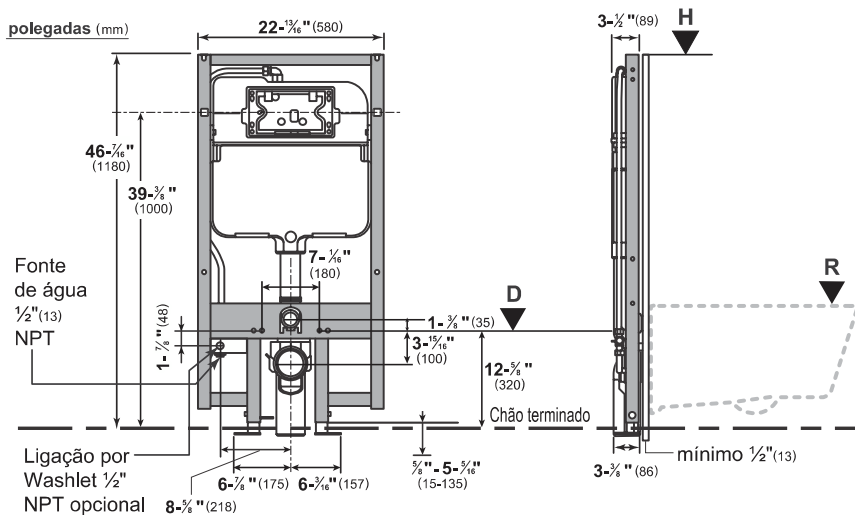


Tabela 1: Dimensões medidas a partir do pavimento acabado

polegadas			mm		
Altura do rebordo da sanita (R)	Altura do sistema (H)	Altura da cavilha de fixação roscada (D)	Altura do rebordo da sanita (R)	Altura do sistema (H)	Altura da cavilha de fixação roscada (D)
15-11/32"	45-21/32"	11-13/16"	390	1160	300
16"	46-5/16"	12-15/32"	406	1176	316
17"	47-5/16"	13-15/32"	432	1202	342
18"	48-5/16"	14-15/32"	457	1227	367
19"	49-5/16"	15-15/32"	483	1253	393
20"	50-5/16"	16-15/32"	508	1278	418

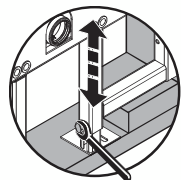
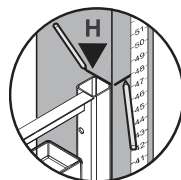
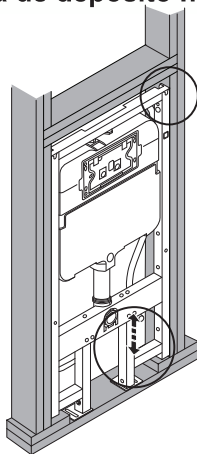
PROCEDIMENTO DE INSTALAÇÃO

Instalação do sistema de depósito na parede

Desaperte os parafusos nas pernas ajustáveis e ajuste o recipiente para a altura pretendida em relação ao Chão terminado (consulte a Tabela 1 para indicações).

Posicione o suporte de forma que a frente da estrutura do suporte fique nivelada com a frente da estrutura da parede do suporte.

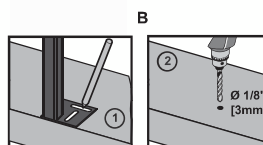
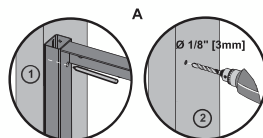
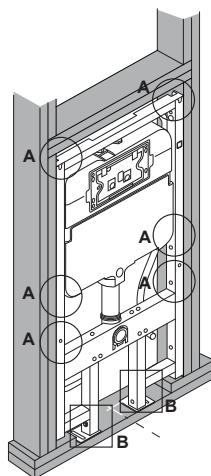
Aperte os dois parafusos nas pernas para fixar a altura do recetáculo.



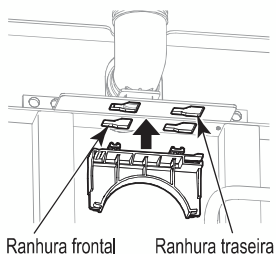
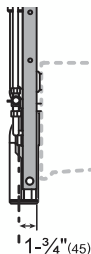
Marque a localização dos furos pilotos para instalar os parafusos para fixar o recetáculo na estrutura de madeira.

Há seis (6) parafusos por os lados (3 por lado) e dois para os pés. Certifique-se de que o recetáculo está encostado à estrutura de madeira antes de fazer as marcas.

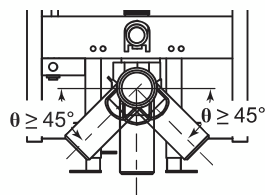
Remova o recetáculo da estrutura de madeira, perfure seis (6) furos de 1/8" (3mm) no pino da parede (ajuste/suporte) e dois (2) furos no subchão (contraplacado); em concreto, perfure furos de 3/8" (10mm) para as âncoras.



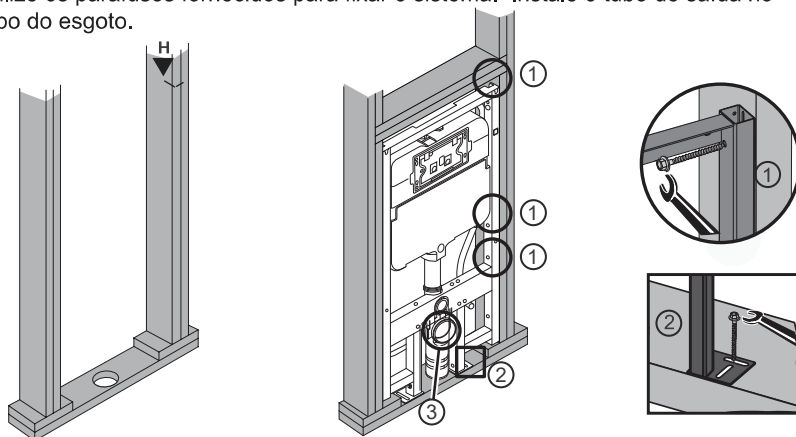
Para a instalação de uma descarga vertical, prenda o suporte superior na ranhura frontal da estrutura, tal como ilustrado. Perfure um orifício de 3-3/4" (95 mm) no chão 1-3/4" (45 mm) a partir da parte frontal dos rebites.



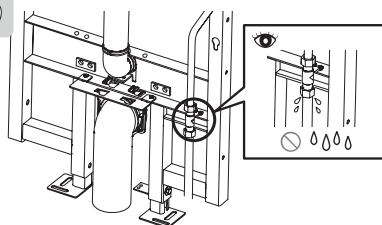
Para a instalação de uma descarga esquerda ou direita, prenda o suporte superior na ranhura traseira da estrutura, tal como ilustrado.



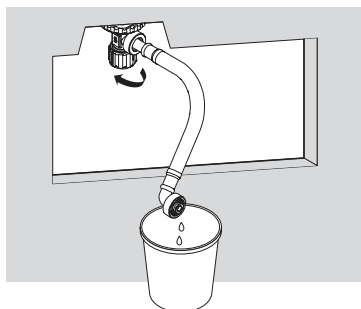
Use o suporte inferior para fixar o tubo de saída ao recetáculo. Coloque o recetáculo na estrutura de madeira, certifique-se de que o recetáculo está nivelado na horizontal e encostado à face dianteira da estrutura dos pinos. Utilize os parafusos fornecidos para fixar o sistema. Instale o tubo de saída no tubo do esgoto.



Examine o tubo de alimentação de água quanto a fugas. Não remova a capa de bloqueio da entrada para a Washlet.



Antes de ligar o tubo flexível à válvula de enchimento, abra a válvula de bloqueio para deixar a água correr durante um ou dois minutos.



Depois disso, desligue a válvula no tanque e na válvula de alimentação principal.

⚠ CUIDADOS

Isso indica que o mal uso pode causar ferimentos ou danos físicos.




Obrigatório

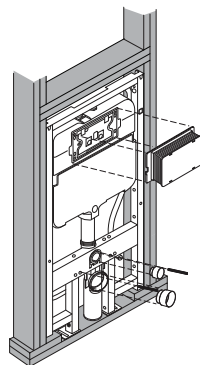
É importante reconfirmar que não há vazamento de água em todas as conexões.

Não afrouxe ou adultere os acessórios de cobre ou as conexões de união.

A conexão incompleta pode causar o vazamento de água ou de odor ruins.

O símbolo  indica que algo deve ser feito.

Insira um guarda-lama na entrada e na saída, a peça de posicionamento da placa de pressão e duas (2) cavilhas de fixação roscadas para o vaso nos orifícios internos.



Cortar a posição na parede

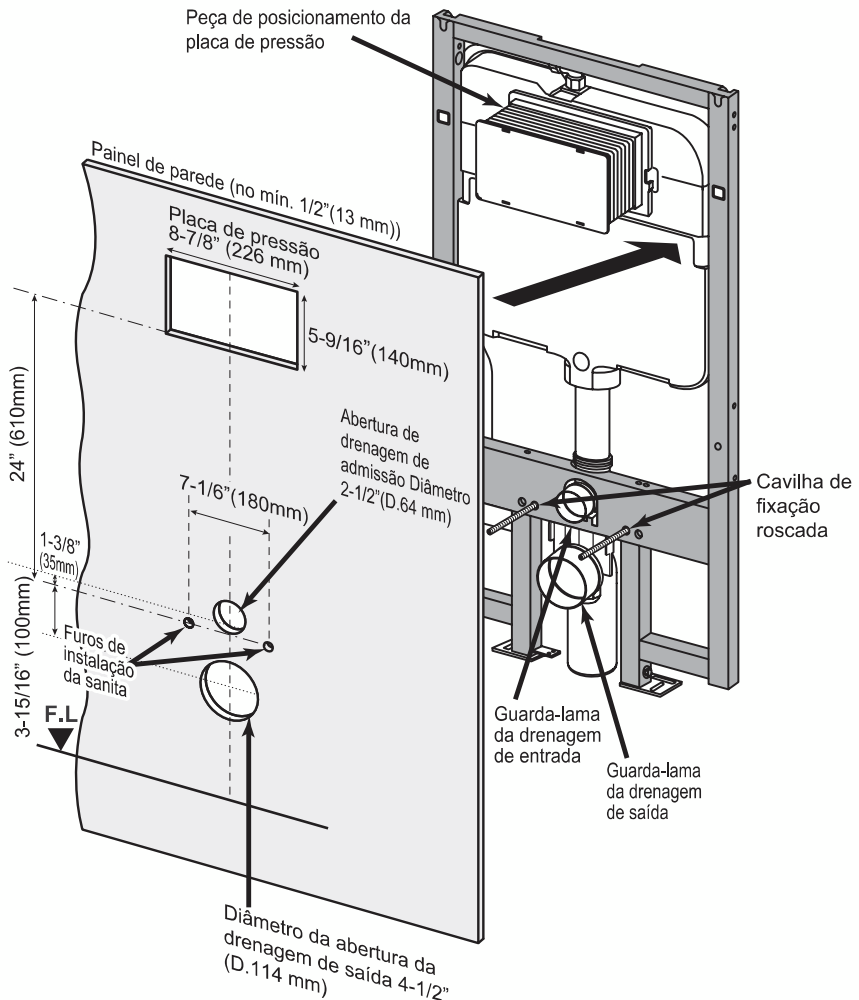
Instalação em gesso: mínimo recomendado 1/2" (13 mm). Use as partes salientes do recetáculo para posicionar os cortes na parede.

Corte um furo com um diâmetro de 4-1/2" (114 mm) para o dreno de saída.

Corte um furo com um diâmetro de 2-1/2" (64 mm) para a admissão da água.

Faça dois furos com 3/4" (19 mm) de diâmetro para a cavilhas de fixação roscadas.

Corte um furo de 8-7/8" (226 mm) x 5-9/16" (140 mm) para a placa de pressão.

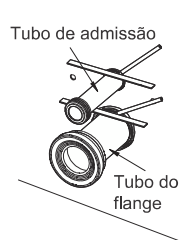


Instalação da sanita no sistema de depósito na parede

- 1) Aplique o lubrificante com a esponja fornecida na drenagem de entrada e de saída para facilitar a instalação. Insira o tubo de entrada na saída de drenagem do depósito até parar.

Encoste o rebordo de uma régua à parede terminada e à parte superior do tubo de admissão. Marque a posição como indicado e remova o tubo de admissão.

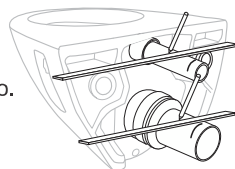
Repita este processo para o tubo do flange.



- 2) Insira o tubo de admissão com a junta na parte traseira do bloco sanitário.

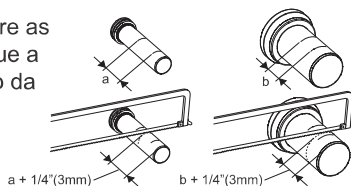
Encoste o rebordo de uma régua a toda a largura da parte traseira do bloco sanitário e à parte superior do tubo de admissão. Marque a posição como indicado e remova o tubo de admissão.

Repita este processo para o tubo do flange.



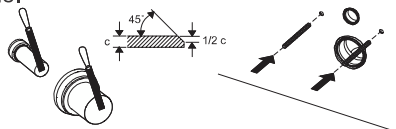
- 3) Como ilustrado na imagem, meça a distância entre as duas linhas "a" e "b". Com essa dimensão, marque a linha de corte medindo a partir do rebordo oposto da junta e serre o excedente.

Repita este processo para o tubo da flange.

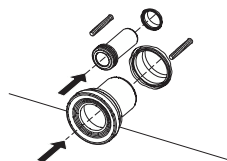


- 4) Rebaixe os rebordos de corte como ilustrado.

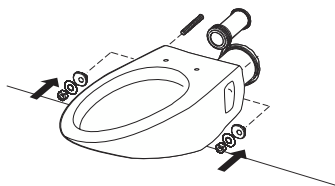
Aparafusar os parafusos de montagem roscados no tanque e deixar 2-1 / 8 \"(54mm) expostos.



- 5) Insira o tubo de admissão e o tubo do flange nos furos de drenagem apropriados.



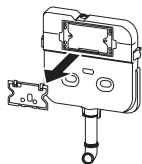
- 6) Instale o vaso sanitário, alinhando-o com os tubos e com a cavilha de fixação roscada. Utilize as peças de fixação fornecidas para fixar o vaso.



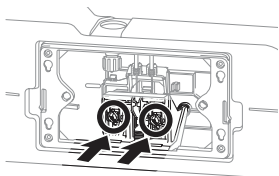
PROCEDIMENTOS DE MANUTENÇÃO/REPARAÇÃO

Substituir a válvula de descarga

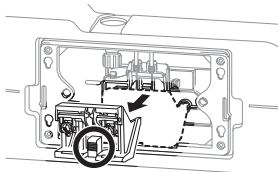
- 1) Remove the splash guard and pull it out.



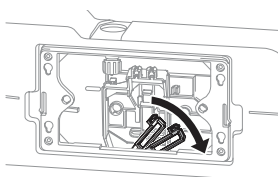
- 2) Close the shutoff valve in the tank, and then push the button on the actuator to flush the water.



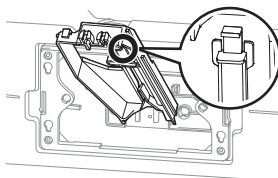
- 3) Push on the tab to remove the actuator.



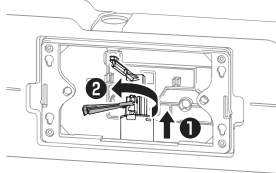
- 4) Incline para a direita as duas varetas de extração da válvula de descarga.



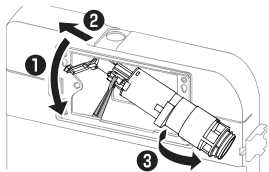
- 5) Remove the hold-down bracket by pulling on the tab indicated.



- 6) Puxe a válvula de descarga para cima, e rode as varetas.



- 7) Rode toda a unidade à medida que a puxa para fora.



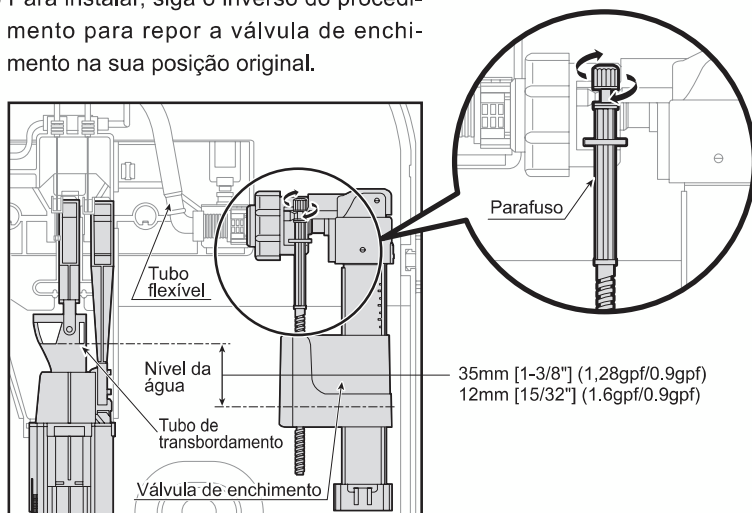
- 8) Na outra extremidade da válvula de descarga, a peça de borracha pode ser removida para ser limpa ou substituída.

- 9) Para instalar as peças novamente no depósito, faça-o pela ordem inversa.

PROCEDIMENTOS DE MANUTENÇÃO/REPARAÇÃO

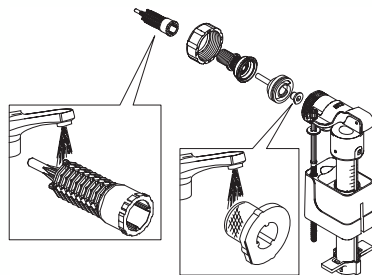
Ajustamento do nível da água no depósito

- 1) Siga o procedimento para retirar a válvula de descarga.
- 2) Desligue o tubo flexível da válvula de enchimento.
- 3) Puxe o gancho para si, faça deslizar a unidade principal para cima e depois retire a unidade principal da válvula de enchimento.
- 4) Se rodar o parafuso na direção dos ponteiros do relógio, aumenta o nível da água.
- 5) Se rodar o parafuso na direção contrária à dos ponteiros do relógio, reduz o nível da água.
- 6) O nível de água deve ser de 35mm [1-3/8"] para 1.28gpf/0.9gpf (4.8Lpf/3.4Lpf) e de 12mm [15/32"] para 1.6gpf/0.9gpf (6.0Lpf/3.4Lpf) abaixo do tubo de transbordamento.
- 7) Para instalar, siga o inverso do procedimento para repor a válvula de enchimento na sua posição original.



Limpeza do filtro da válvula de enchimento

- 1) Feche a válvula de bloqueio de água e depois retire a válvula de enchimento como descrito em cima.
- 2) Como ilustrado na figura, desmonte a válvula de enchimento e depois limpe o filtro com água ou use uma escova para limpar qualquer sujidade do filtro.
- 3) Para instalar, siga o inverso do procedimento para repor a válvula de enchimento na sua posição original.



GARANTIA

1. A TOTO garante que o seu sistema de depósito na parede ("produto") não tem defeitos de material e de fabrico durante a utilização normal quando instalado e mantido adequadamente, pelo período de um (1) ano a partir da data da compra. Esta garantia aplica-se apenas ao COMPRADOR ORIGINAL do produto e não é transmissível a terceiros, incluindo - mas não limitado a - posteriores compradores ou proprietários do produto. Esta garantia aplica-se apenas a produtos TOTO comprados e instalados na América do Norte, Central e do Sul.
2. As obrigações da TOTO, segundo esta garantia, estão limitadas à reparação, substituição e outros ajustes apropriados, à discricção da TOTO, do produto ou partes consideradas defeituosas durante a utilização normal, desde que o produto tenha sido corretamente instalado, utilizado e mantido de acordo com as instruções. A TOTO reserva-se o direito de fazer as inspeções necessárias para determinar a causa do defeito. A TOTO não cobra despesas por mão de obra ou peças associadas a reparações ou substituições cobertas pela garantia. A TOTO não se responsabiliza por despesas de remoção, devolução e/ou reinstalação do produto.
3. Esta garantia não se aplica aos seguintes itens:
 - a. Danos ou perdas sofridas durante uma catástrofe natural como incêndio, sismo, inundações, relâmpago, tempestade elétrica, etc.
 - b. Danos ou perdas resultantes de qualquer acidente, utilização razoável, má utilização, abuso, negligência ou cuidados, limpeza ou manutenção inadequada do produto.
 - c. Danos ou perdas resultantes de sedimentos ou matérias estranhas no sistema de água.
 - d. Danos ou perdas resultantes da instalação ou instalação incorreta do produto em ambientes inóspitos e/ou perigosos ou resultantes da remoção, reparação ou modificação imprópria do produto. (NOTA: Os códigos do modelo do produto permitem um máximo de 80 PSI. Consulte os códigos ou normas locais para obter os requisitos).
 - e. Danos ou perdas resultantes de sobrecargas elétricas ou relâmpagos ou outros atos que não são causados pela TOTO ou para os quais o produto não esteja preparado para tolerar.
 - f. Danos ou perdas resultantes de desgaste normal, como redução do brilho, riscos ou descoloração causados pelo uso ao longo do tempo, práticas de limpeza ou estado da água ou condições atmosféricas.
 - g. Mecanismos de descarga do depósito de plástico ou peças móveis de borracha.
 - h. Tampo da sanita de plástico, madeira ou metal.
4. Para que esta garantia limitada seja válida, é necessário apresentar prova de compra. A TOTO recomenda o registo da garantia após a compra em <http://www.totousa.com> para criar um registo de propriedade do produto. O registo do produto é estritamente voluntário e, caso não seja feito, não diminui os seus direitos associados à garantia limitada.
5. ESTA GARANTIA ATRIBUI-LHE DIREITOS LEGAIS ESPECÍFICOS. PODE TER OUTROS DIREITOS QUE VARIAM DE ESTADO PARA ESTADO, DE PROVÍNCIA PARA PROVÍNCIA OU DE PAÍS PARA PAÍS.
6. Para obter serviços de reparação associados a esta garantia, deve levar o produto ou entregá-lo pré-pago nas instalações de reparação da TOTO juntamente com a prova de compra (recibo de venda original) e uma carta onde descreve o problema ou contactar um distribuidor da TOTO ou um fornecedor de serviços de produtos TOTO ou escrever diretamente para a TOTO U.S.A., INC., 1155 Southern Road, Morrow, GA 30260 (678) 466-1300 ou (888) 295 8134, se fora dos E.U.A. Se, por causa do tamanho do produto ou pela natureza do defeito, não for possível devolver o produto à TOTO, uma notificação escrita do defeito juntamente com prova de compra (recibo de venda original) enviados para a TOTO são considerados ato de entrega. Neste caso, a TOTO pode optar por reparar o produto nas instalações do comprador ou pagar as despesas de transporte do produto para as instalações de reparação.

AVISO! A TOTO não se responsabiliza por quaisquer avarias, ou danos, deste produto causados por cloraminas no abastecimento da água pública de tratamento ou por produtos de limpeza com cloro (hipoclorito de cálcio). NOTA: A utilização de produtos com elevados concentrados de cloro ou derivados de cloro pode danificar seriamente as peças. Este dano pode causar fugas e danos sérios no equipamento.

ESTA GARANTIA ESCRITA É A ÚNICA GARANTIA FEITA PELA TOTO. A REPARAÇÃO, SUBSTITUIÇÃO OU OUTROS AJUSTES APROPRIADOS CONFORME ESTA GARANTIA SERÃO A ÚNICA SOLUÇÃO DISPONÍVEL PARA O COMPRADOR ORIGINAL. A TOTO NÃO SE RESPONSABILIZA PELA PERDA DO PRODUTO OU POR DANOS ACIDENTAIS, ESPECIAIS OU CONSEQUENTES OU POR DESPESAS INCORRIDAS PELO COMPRADOR ORIGINAL, OU PELA MÃO DE OBRA OU OUTROS CUSTOS DE INSTALAÇÃO OU REMOÇÃO OU PELOS CUSTOS DE REPARAÇÕES FEITAS POR TERCEIROS OU POR QUAISQUER OUTRAS DESPESAS NÃO ESPECIFICAMENTE DECLARADAS EM CIMA. EM CASO ALGUM A RESPONSABILIDADE DA TOTO EXCEDERÁ O PREÇO DE COMPRA DO PRODUTO. EXCETO ATÉ ONDE PROIBIDO PELA LEI APLICÁVEL. QUAISQUER GARANTIAS IMPLÍCITAS, INCLUINDO GARANTIAS DE COMERCIALIZAÇÃO OU DE ADEQUAÇÃO PARA UTILIZAÇÃO OU PARA UM PROPÓSITO ESPECÍFICO, SÃO REJEITADAS EXPRESSAMENTE. ALGUNS ESTADOS NÃO PERMITEM LIMITAÇÕES DA DURAÇÃO DE GARANTIAS IMPLÍCITAS OU A EXCLUSÃO OU LIMITAÇÃO DE DANOS ACIDENTAIS OU CONSEQUENTES, POR ISSO AS LIMITAÇÕES E EXCLUSÕES ANTERIORES PODEM NÃO SE APLICAR A SI.

NOTES

NOTES

TOTO

TOTO U.S.A., Inc. 1155 Southern Road,
Morrow, Georgia 30260
Tel: 888-295-8134 Fax: 800-699-4889
www.totousa.com

0GU098-2
Date:08/2020

Warranty Registration and Inquiry

For product warranty registration, TOTO U.S.A. Inc. recommends online warranty registration. Please visit our web site <http://www.totousa.com>. If you have questions regarding warranty policy or coverage, please contact TOTO U.S.A. Inc., Customer Service Department, 1155 Southern Road, Morrow, GA 30260 (888) 295-8134 or (678) 466-1300 when calling from outside of U.S.A.