

## Helix® Touchless Faucet, Wall-Mount Faucet

### FEATURES

- The choice of self-generating hydropowered ECOPOWER® system or AC system
- Micro-sensor positioned underneath the spout head provides accurate hand detection and ensures smooth, consistent water distribution
- Vandal resistant nozzle
- Aerated flow
- Durable chrome plated spout body
- Kit includes spout body, controller box, and mounting hardware (supply lines not included)
- Equipped with 0.5 gpm flow control. 0.08 gpc, 10 sec on-demand flow

### MODELS

- T26L51E###**
  - TLE26010U1### (Helix WM L Spout 10 sec on-demand)
  - TLE03502U1 (Controller: ECOPOWER, 0.08 gpc, 10 sec on-demand)
- T26L51EM###**
  - TLE26010U1### (Helix WM L Spout 10 sec on-demand)
  - TLE03502U1 (Controller: ECOPOWER, 0.08 gpc, 10 sec on-demand)
  - TLM10 (Mixing Valve)
- T26L51ET###**
  - TLE26010U1### (Helix WM L Spout 10 sec on-demand)
  - TLE03502U1 (Controller: ECOPOWER, 0.08 gpc, 10 sec on-demand)
  - TLE05701U (Thermostatic Mixing Valve)
- T26L51A###**
  - TLE26010U1### (Helix WM L Spout 10 sec on-demand)
  - TLE01502U (Controller: AC, 0.5gpm)
- T26L51AM###**
  - TLE26010U1### (Helix WM L Spout 10 sec on-demand)
  - TLE01502U (Controller: AC, 0.08 gpc)
  - TLM10 (Mixing Valve)
- T26L51AT###**
  - TLE26010U1### (Helix WM L Spout 10 sec on-demand)
  - TLE01502U (Controller: AC, 0.08 gpc)
  - TLE05701U (Thermostatic Mixing Valve)

### COLORS/FINISHES

- #CP Polished Chrome

### OPTIONAL ACCESSORIES

- THP3237 - Swivel Coupling
- REAH03B1U - Touchless Faucet Controller with Heater



### ECOPOWER or AC SYSTEM

### PRODUCT SPECIFICATION

TOTO Model # \_\_\_\_\_ Choice of self-generating hydropowered ECOPOWER system or AC system. The faucet shall have maximum of 10 seconds on-demand flow (0.08 gpc) The faucet shall have self-adjusting sensor. Product equipped with 0.5 gpm flow regulator

### CODES/STANDARDS

- Operates below federally mandated consumption limit of 0.25 gpc
- Complies to California Green Building Code, CALGreen max flow of 0.20 gpc
- Meets or exceeds ASME A112.18.1/CSA B125.1, and NSF 372
- Meets or exceeds UL 1951, CSA C22.2 No.14 and 68 (AC systems only)
- Certifications: IAPMO(cUPC), California Energy Commission (CEC), State of Massachusetts, and others
- Complies with City of Los Angeles Water Efficiency Ordinance
- ADA compliant
- Complies with Federal and State statutes as low-lead (contains a weighted average of 0.25% lead or less)
- Complies with CA Prop 65 warning requirements



\*For codes and standards of mixing valves TLM10 and TLE05701U, please refer to corresponding product spec sheet

# T26L51 Series

## Helix® Touchless Faucet, Wall-Mount Faucet

### SPECIFICATIONS

Type	ECOPOWER	AC
<b>Power Supply</b>	Hydropower Generation (self-powering power supply)	AC 120V
<b>Sensor Detection Range</b>	5-1/8" ~ 7-7/8" (130 ~ 200 mm) Sensor is self-adjusting	
<b>Water Supply Pressure</b>	Min (Dynamic/Flowing) Pressure: 15 psi (100 kPa) Max (Static) Pressure: 80 psi (551 kPa)	
<b>Water Supply</b>	G 1/2" (1/2" NPSM compatible)	
<b>Inlet Temperature Range</b>	39-110°F (4-43°C)	
<b>Ambient Temperature</b>	32-104°F (0-40°C)	
<b>Humidity</b>	Max. 90% RH	
<b>Flow Rate</b>	0.08 gpc (0.32 Lpc)** - max 10 second On Demand*** (0.08 gpc = 0.5 gpm x 10/60 sec) Equipped with 0.5 gpm flow control	
<b>Warranty</b>	Three years	

### NOTE

Following the federal mandate for water efficiency outlined in the Environmental Protection Act of 1992, faucets can be rated for water consumption based on two categories: Flow Rate and Water Consumption. TOTO uses the water consumption standard because it is the most accurate method of measuring water use. TOTO faucets also comply with the CALGreen Guideline of water usage.]

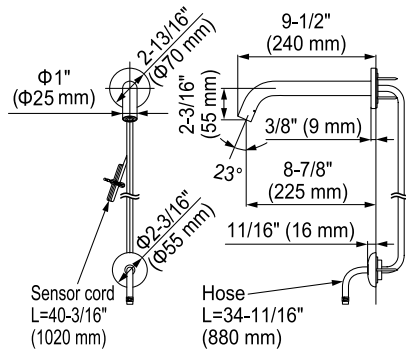
#### Water Savings

TOTO On-Demand [10 sec.] faucet (0.08 gpc):  
68% savings over Federal Standard (0.25 gpc)  
60% savings over CAL Green (0.20 gpc)

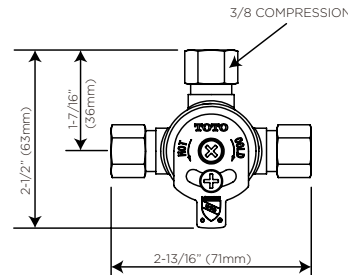
\*\*Gallons per cycle (gpc) is the amount of water discharged per usage cycle.

\*\*\* On-demand refers to the way in which the water is dispensed (i.e.; water is only dispensed when the sensor is activated by the user as needed).

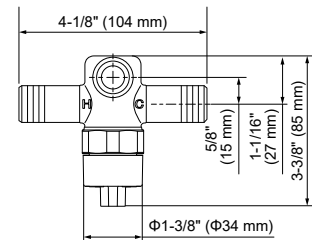
### Helix Touchless Faucet, Wall-Mount



### Available Mixing Valves



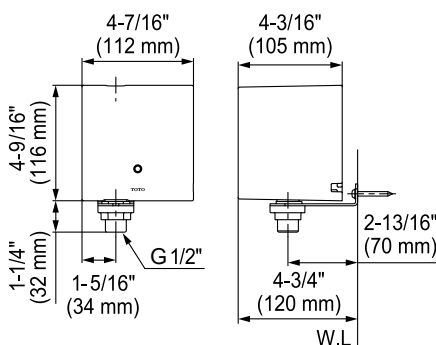
Hot/Cold Mixing Tee (TLM10)



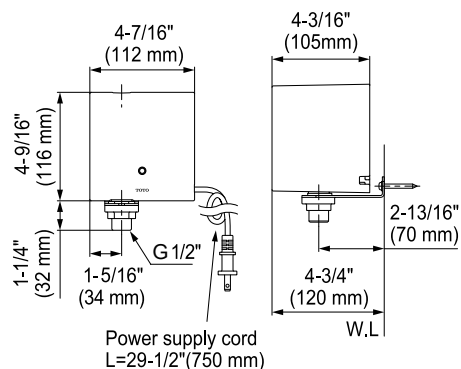
G1/2" (1/2" NPSM Compatible) threaded fittings

Thermostatic Mixing Valve (TLE05701U)

### ECOPOWER Controller



### AC Controller



**TOTO**

These dimensions and specifications are subject to change without notice