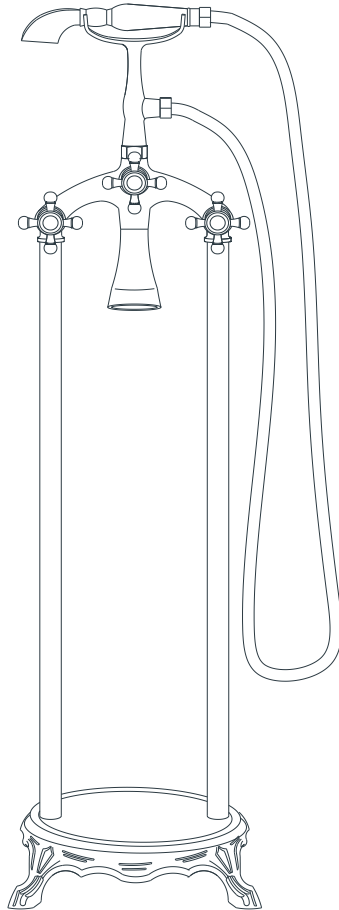


ANZZI®

ITEM:FS-AZ0052**
ANZZI Freestanding Tub Filler
INSTALLATION & OPERATION MANUAL

V2.1
03/03/2023



DON'T WAIT! REGISTER NOW!

Register your product within 90 days to ensure your product is recognized as an official purchase and is eligible for warranty coverage.

Mail in the completed registry card (Pg. 2) or register online at www.swcorp.com/register.



PRODUCT REGISTRATION*

IMPORTANT: YOUR WARRANTY WILL NOT BE RECOGNIZED UNLESS THIS CARD IS FULLY COMPLETED AND RETURNED OR ONLINE REGISTRATION IS COMPLETED.

To ensure that your warranty is registered and confirmed please do one of the following:

1. Register online at www.swcorp.com/register. You will be asked to fill out the same information you would in the registration card. Registering online is fast, secure and ensures we receive your information.
2. Complete, cut out and mail the registration card below. By returning this registration card we confirm the date of purchase for your new product. This confirmation will allow us to process any warranty claims.

Mail the card to: 5701 NW 35 Avenue, Miami, FL 33142



Product Registration Card

Name..... Address

City..... State..... Zip.....

Phone..... Email.....

Date of Purchase Order or Purchase # SKU or Model #

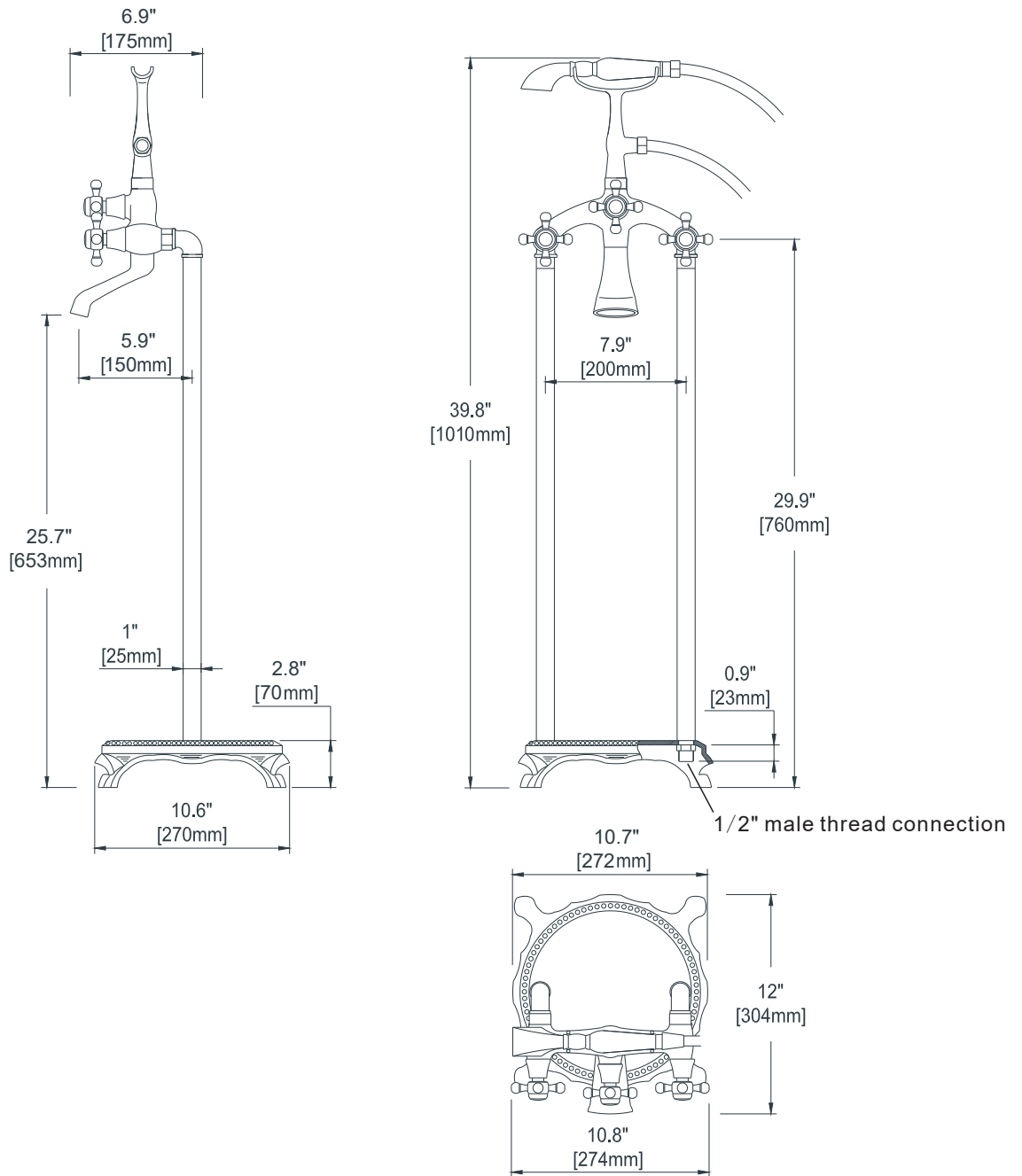
Installer's Name Phone

I have read the Owner's Manual carefully and understand and agree that any installation, operation or maintenance of the product must be done strictly in accordance with instructions and guidelines contained in the owner's manual and installation guide.

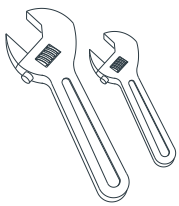
Signature..... Date.....

Need help? For technical support call 305-614-4070 or visit us at www.ANZZI.com

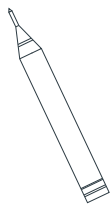
PRODUCT SIZE CHART



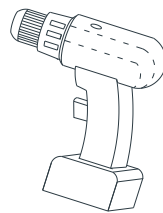
TOOLS AND MATERIALS



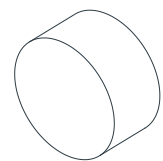
Wrench



Marker Pen

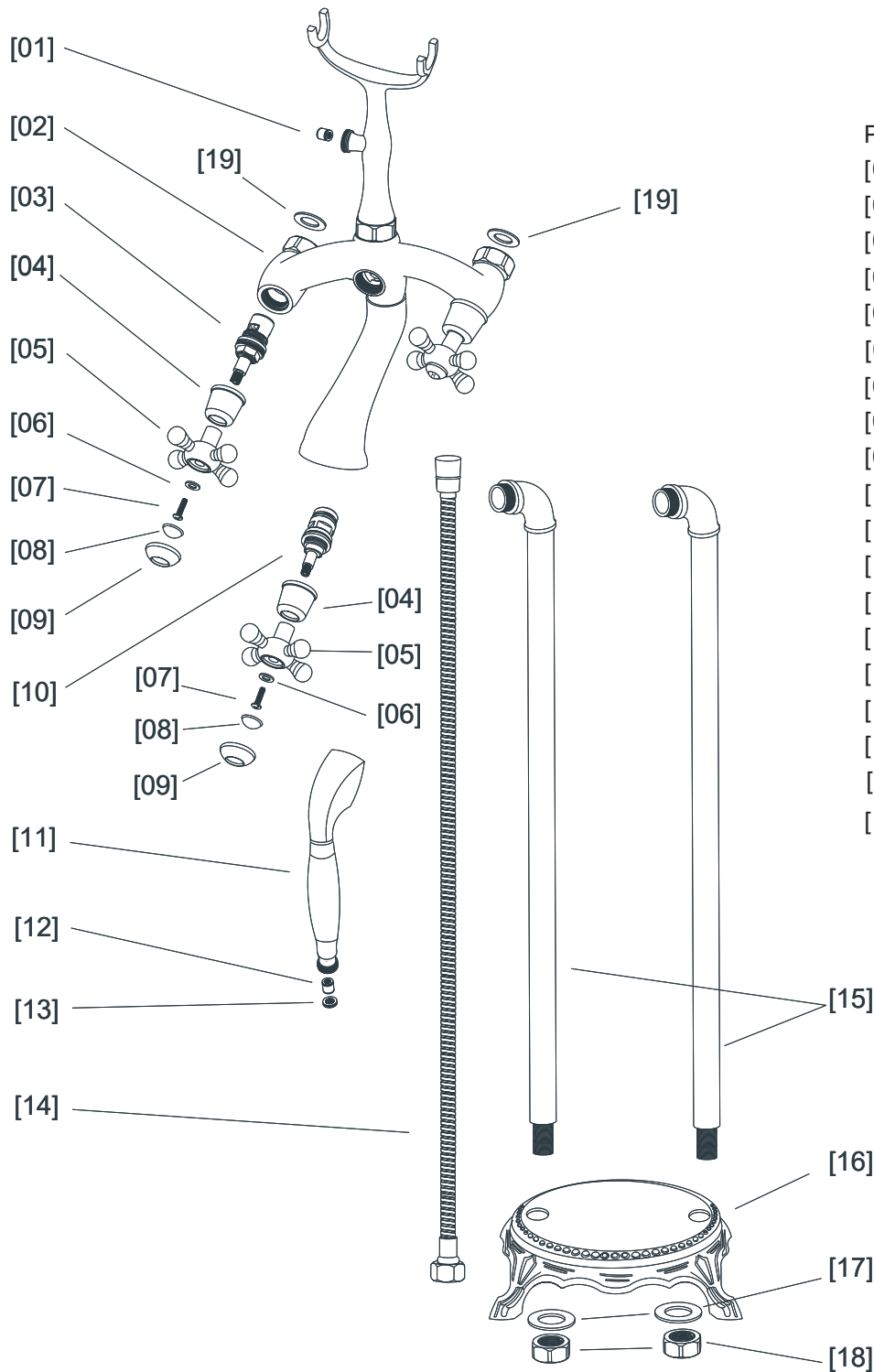


Drill



1-1/8" Hole Saw

COMPONENT



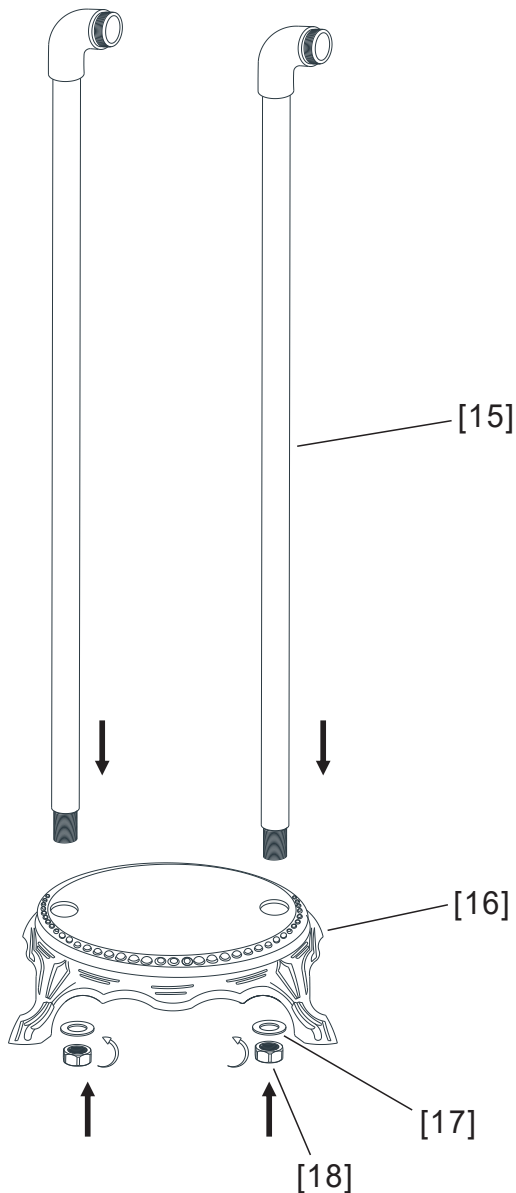
Part	Discription	Qty
[01]	Check Valve	1
[02]	Faucet	1
[03]	Cartridge	2
[04]	Cover	3
[05]	Handle	3
[06]	Gasket	3
[07]	Screw	3
[08]	Cap	3
[09]	Cover	3
[10]	Diverter	1
[11]	Hand Shower	1
[12]	Check Valve	1
[13]	Restrictor valve	1
[14]	Hand Shower Hose	1
[15]	Post	2
[16]	Escutcheon	1
[17]	Washer	2
[18]	Nut	2
[19]	Washer	2

Before installation:

1. Please check that all components are present.
2. Ensure that all supply lines are free of debris with supply stops installed.
3. Ensure water pressure is between 20-125 PSI.
4. If you are having difficulties on installation, please contact a professional plumber.

INSTALLATION

1

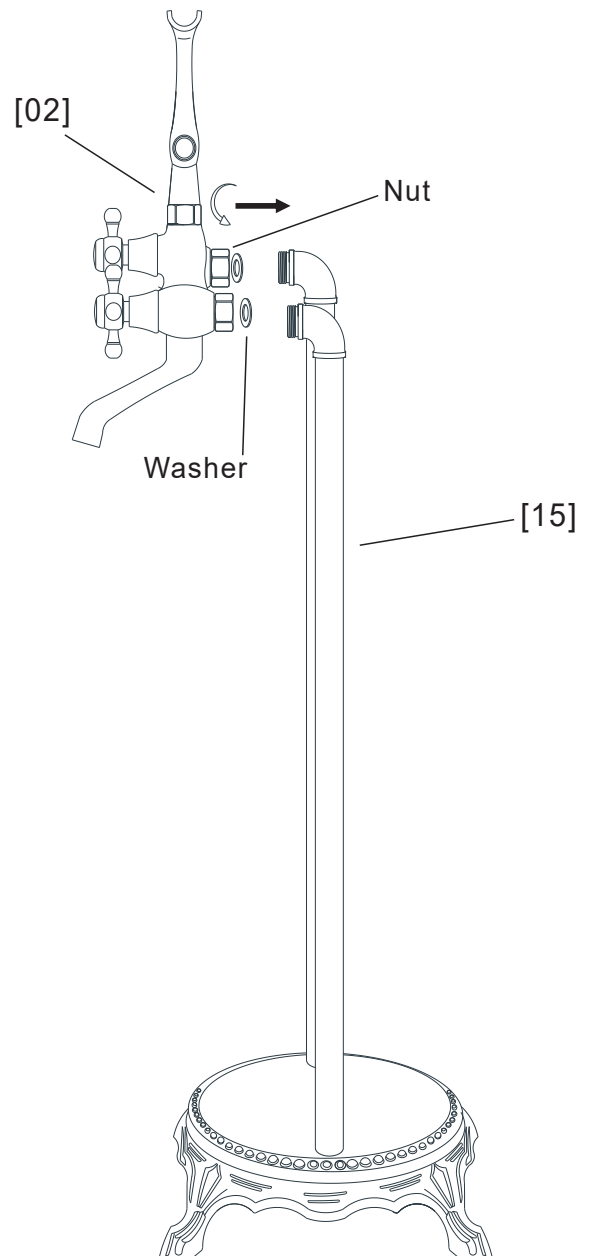


STEP 1:

Install the **Posts [15]** from above through the holes of **Escutcheon [16]** .slide the **Washers [17]** onto the **Post [15]** from under the **Escutcheon [16]** and secure the **Posts [15]** by the **Nuts [18]**. Hand tighten it.

Note: Make sure the outlet of the **Post [15]** face forward.

2



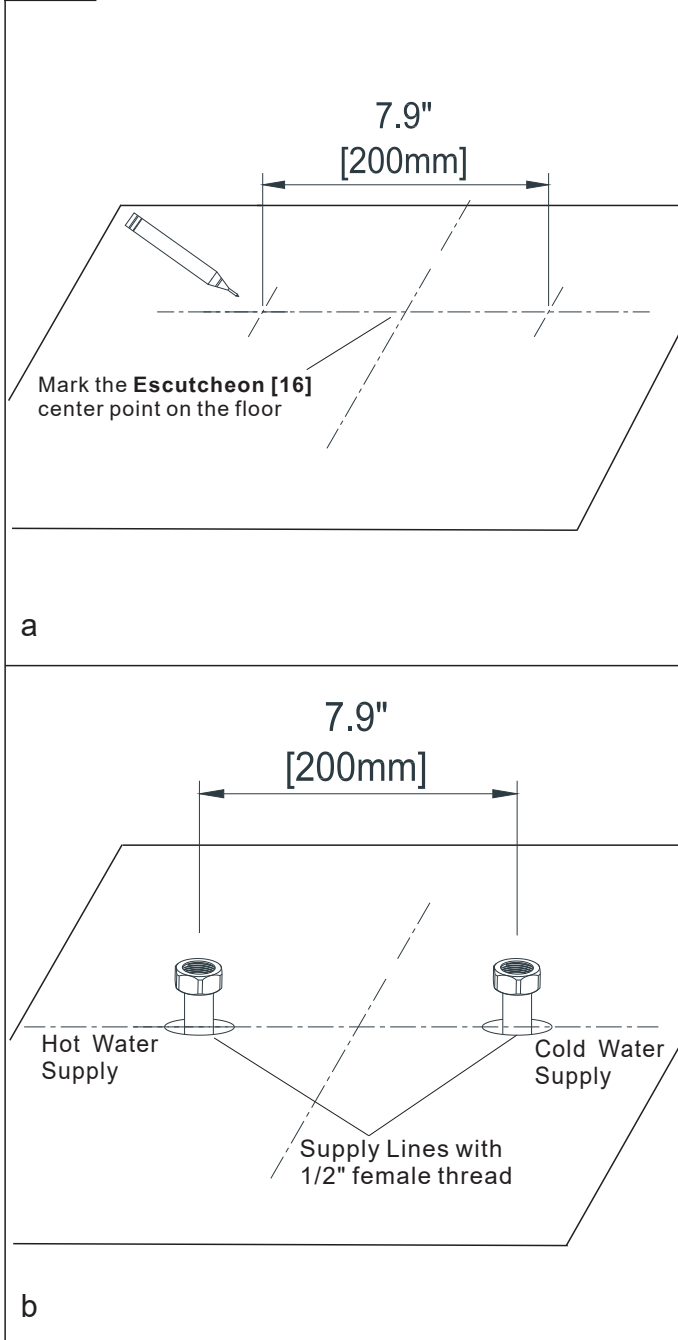
STEP 2:

Install the **Faucet [02]** to the **Posts [15]** , and secure it by tighten the nuts with wrench. **DO NOT** over tighten. Tighten the **Nuts [18]** by wrench to secure the **Posts [15]**.

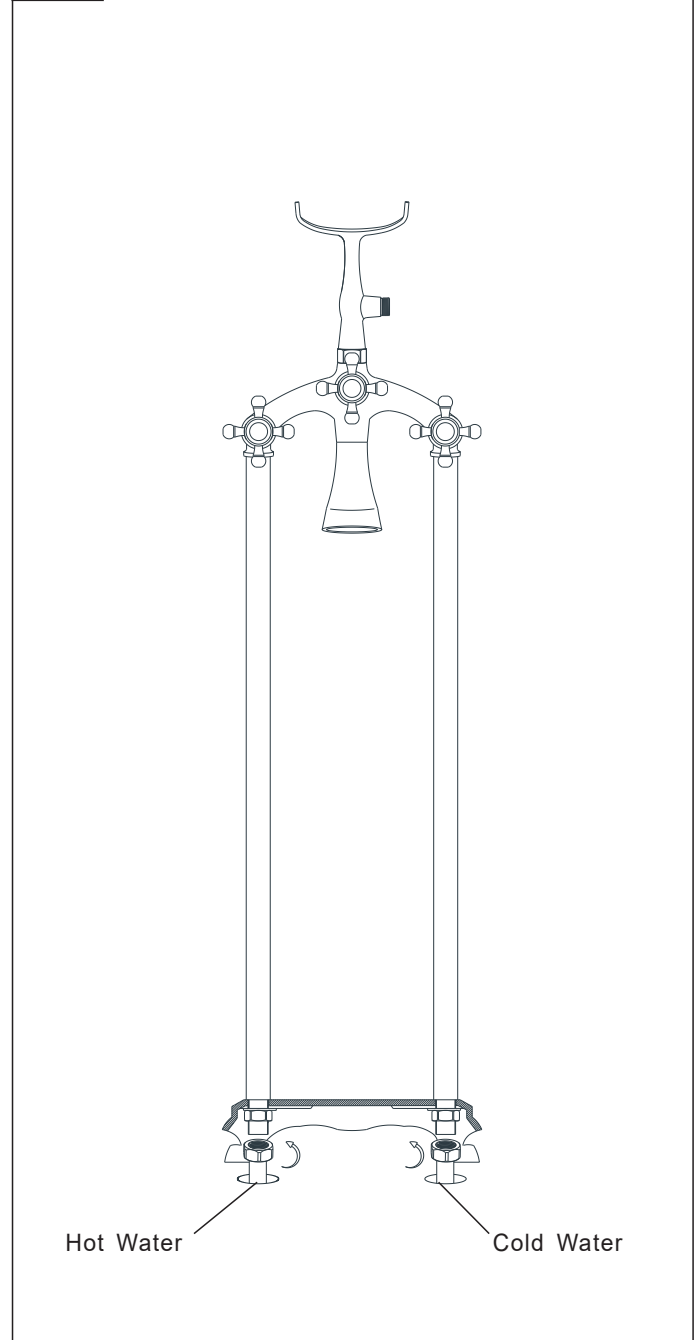
Note: Make sure there are washers between the **Posts [15]** and the **Faucet [02]**.

INSTALLATION

3



4



STEP 3:

- Mark the center point of faucet on the floor. Then, mark the water supply line holes beside the center point on the floor. Distance between Cold water supply line and Hot water supply line is **7.9" [200mm]**.
- Drill 1-1/8" holes at the water supply line locations into the floor.

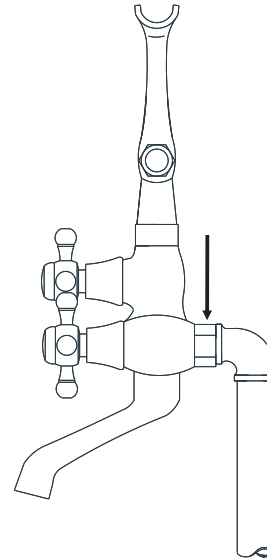
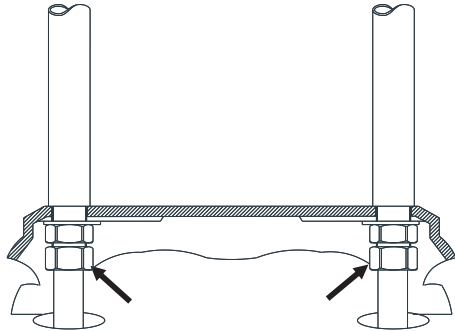
STEP 4:

Connect the **Post [15]** to the water supply lines (which should be protruding from the ground and have matching internal female threading).

Note: Make sure to connect the left **Post [15]** to the hot water supply line and the right **Post [15]** to the cold water supply line.

INSTALLATION

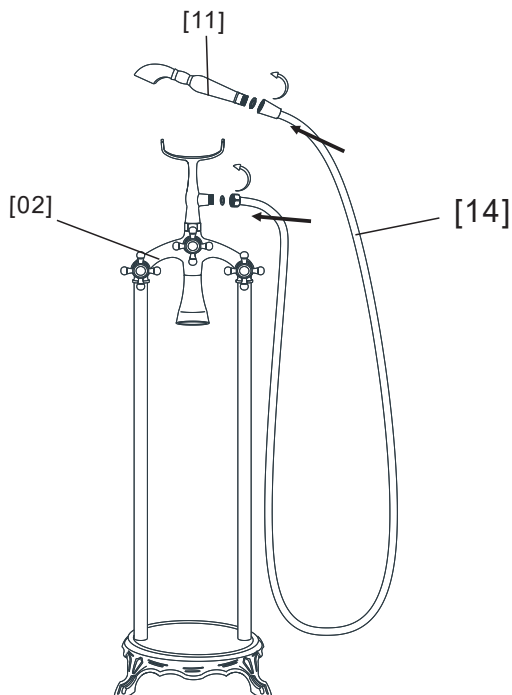
5



STEP 5:

Turn on hot and cold water supplies and check connections at arrows for leaks. Retighten if necessary, but do not over tighten.

6

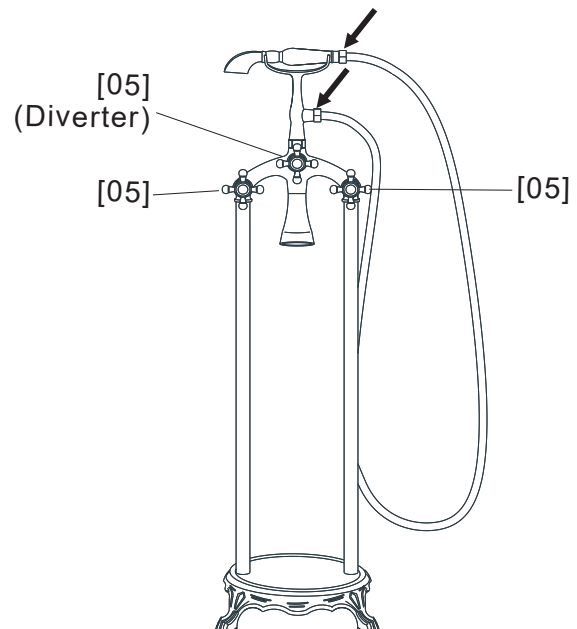


STEP 6:

Install and secure the **Hand Shower [11]** and **Shower Hose [14]** to the **Faucet [02]** as the figure shows.

Note: Make sure there are washers between the connections.

7

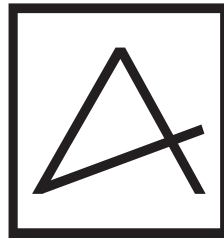


STEP 7:

Turn on the **Handles [05]**, then turn the **Handle (Diverter) [05]** to check the flow of spout and hand shower. Check connections at arrows for leaks. Retighten if necessary, but do not over tighten.

CLEANING & MAINTENANCE

1. To preserve the finish on the metallic parts of your ANZZI faucet, apply non-abrasive wax, such as car wax. Any cleaners should be rinsed off immediately.
2. Clean the flow regulator regularly for calcium build up or any blockage that reducing water flow.



ANZZI®