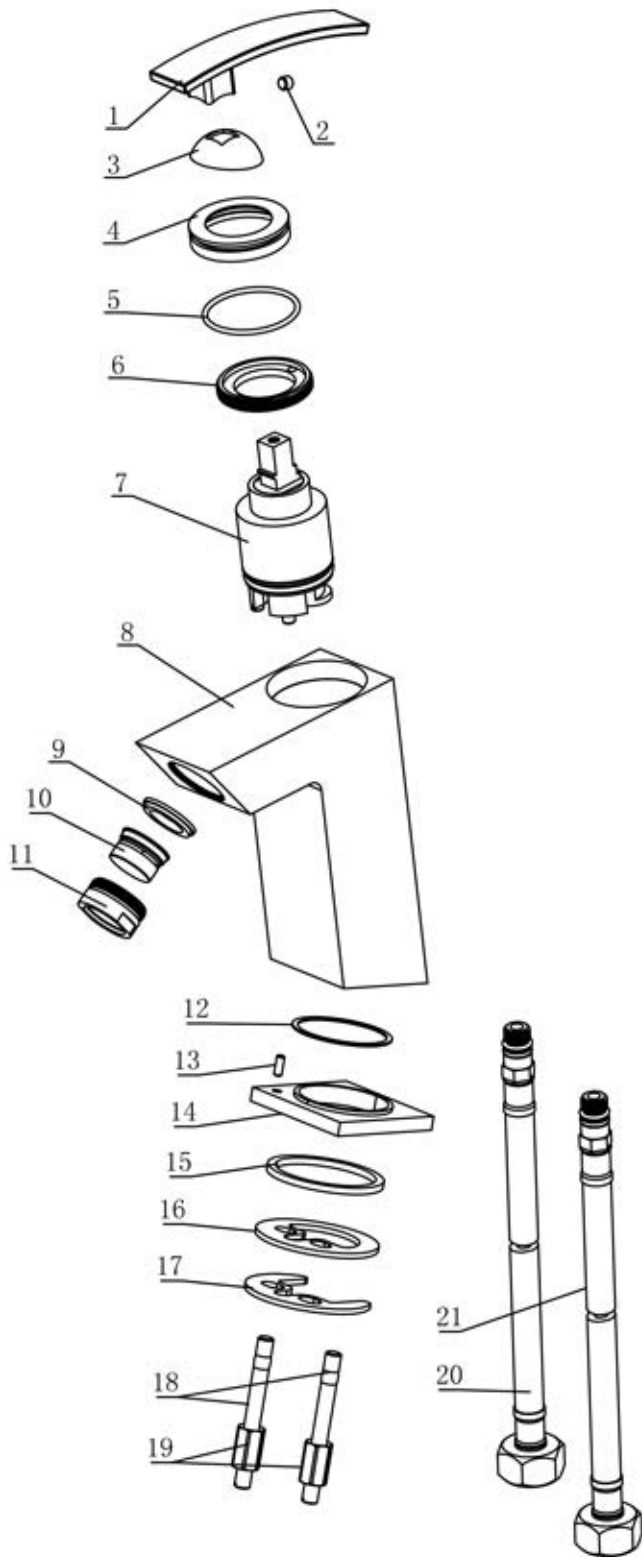


AB1628

21	9/16 Steel wire pipe(550)(NSF)(Blue)PEX	Subassembly	1	50042058426
20	9/16 Steel wire pipe(550)(NSF)(Red)PEX	Subassembly	1	50042058421
19	1360 nut (M6)	H59	2	50020002601
18	1360 fixing bolt	Stainless steel	2	50020002201
17	1176 two-hole gasket	Q235	1	50020013201
16	1360 two-hole washer	Rubber	1	70020002230
15	1050 washer	NBR	1	70020005830
14	1258 base	H59	1	50010056001
13	φ3*8 dowel	Stainless steel	1	40010060600
12	1258 flat washer	NBR	1	70020020730
11	M24*1 housing	H59	1	50050001701
10	M24*1 insert	Subassembly	1	50050022326
9	M24*1 washer (NSF)	NBR	1	70020021930
8	1628 main body	H65	1	10010106701
7	35H cartridge	Subassembly	1	20060003400
6	1628 cartridge nut	H59	1	40060070252
5	34*1.9 O-ring	NBR	1	70010007530
4	1628 decorative cover	H59	1	50010062001
3	1628 round decorative cover	H65	1	50010062101
2	M5*4 fixing screw	Stainless steel	1	50060012000
1	1628 handle	Subassembly	1	20010010901
No.	Description	Material	Qty.	Part No.